



US00D491275S

(12) **United States Design Patent**
Walters et al.

(10) **Patent No.:** **US D491,275 S**
(45) **Date of Patent:** **** Jun. 8, 2004**

(54) **BLOOD GLUCOSE TEST STRIP VIAL**

5,656,502 A * 8/1997 MacKay et al. 436/180
6,379,620 B1 * 4/2002 Tydings et al. 422/58
6,616,893 B1 * 9/2003 Pham 422/58

(75) Inventors: **Daniel A. Walters**, Rockaway
Township, NJ (US); **Mike Bucholtz**,
Ballston Spa, NY (US)

* cited by examiner

(73) Assignee: **Becton, Dickinson and Company**,
Franklin Lakes, NJ (US)

Primary Examiner—Stella Reid
(74) *Attorney, Agent, or Firm*—Alan W. Fiedler

(**) Term: **14 Years**

(57) **CLAIM**

(21) Appl. No.: **29/174,304**

The ornamental design for a blood glucose test strip vial, as shown and described.

(22) Filed: **Jan. 15, 2003**

DESCRIPTION

(51) **LOC (7) Cl.** **24-01**

FIG. 1 is a front side perspective view of a blood glucose test strip vial shown in the design;

(52) **U.S. Cl.** **D24/224; D24/216**

FIG. 2 is a top plan view thereof;

(58) **Field of Search** D24/216, 224;
422/99, 102; 435/283.1, 288.1, 304.1; 436/810

FIG. 3 is a front elevational view thereof;

FIG. 4 is a left side elevational view thereof;

FIG. 5 is a rear elevational view thereof; and,

FIG. 6 is a bottom plan view thereof.

(56) **References Cited**

U.S. PATENT DOCUMENTS

2,904,474 A * 9/1959 Forg 435/287.7
4,778,758 A * 10/1988 Ericsson et al. 435/32

The broken line showing in FIG. 6 is for illustrative purposes only and forms no part of the claimed design.

1 Claim, 6 Drawing Sheets

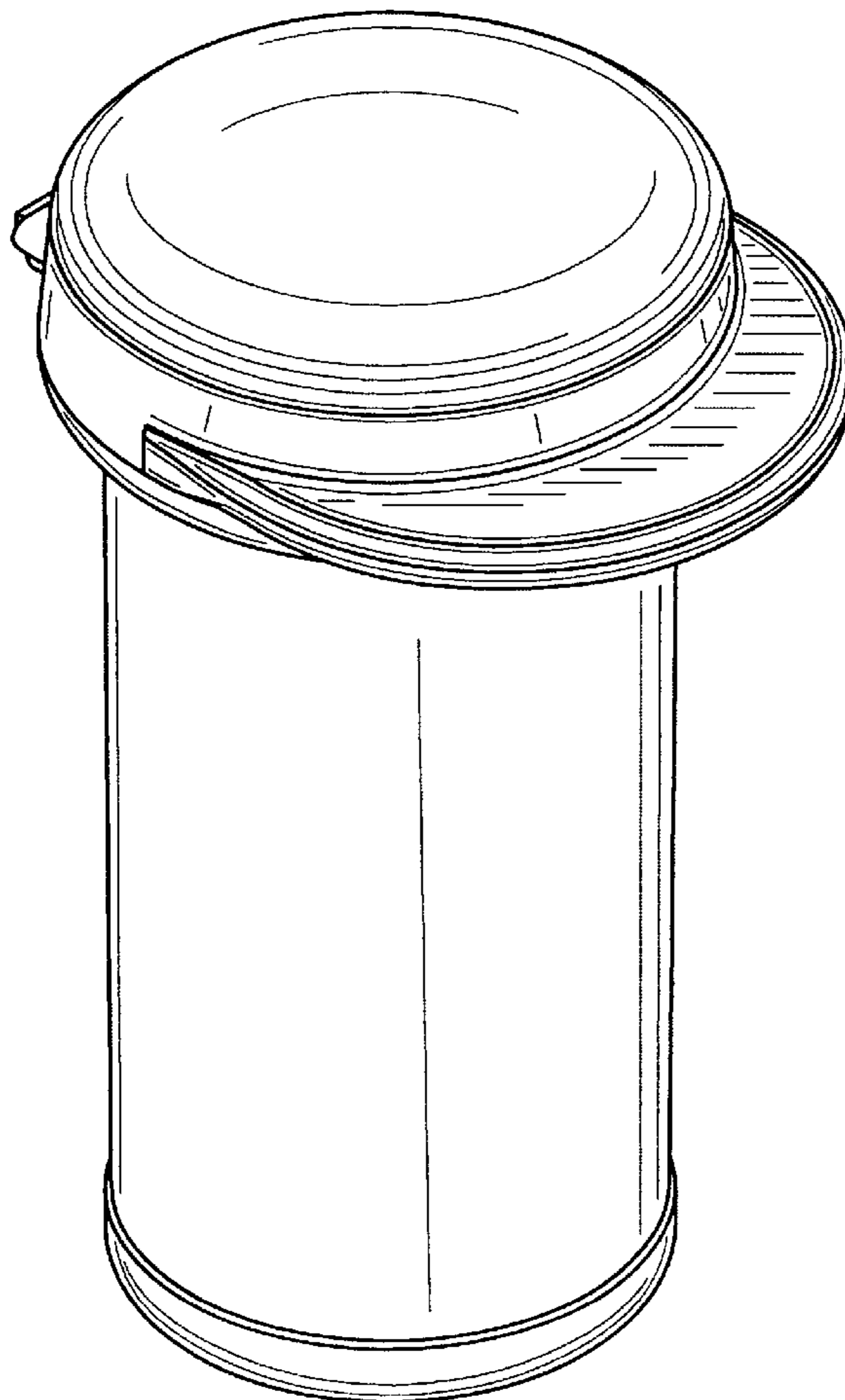


FIG. 1

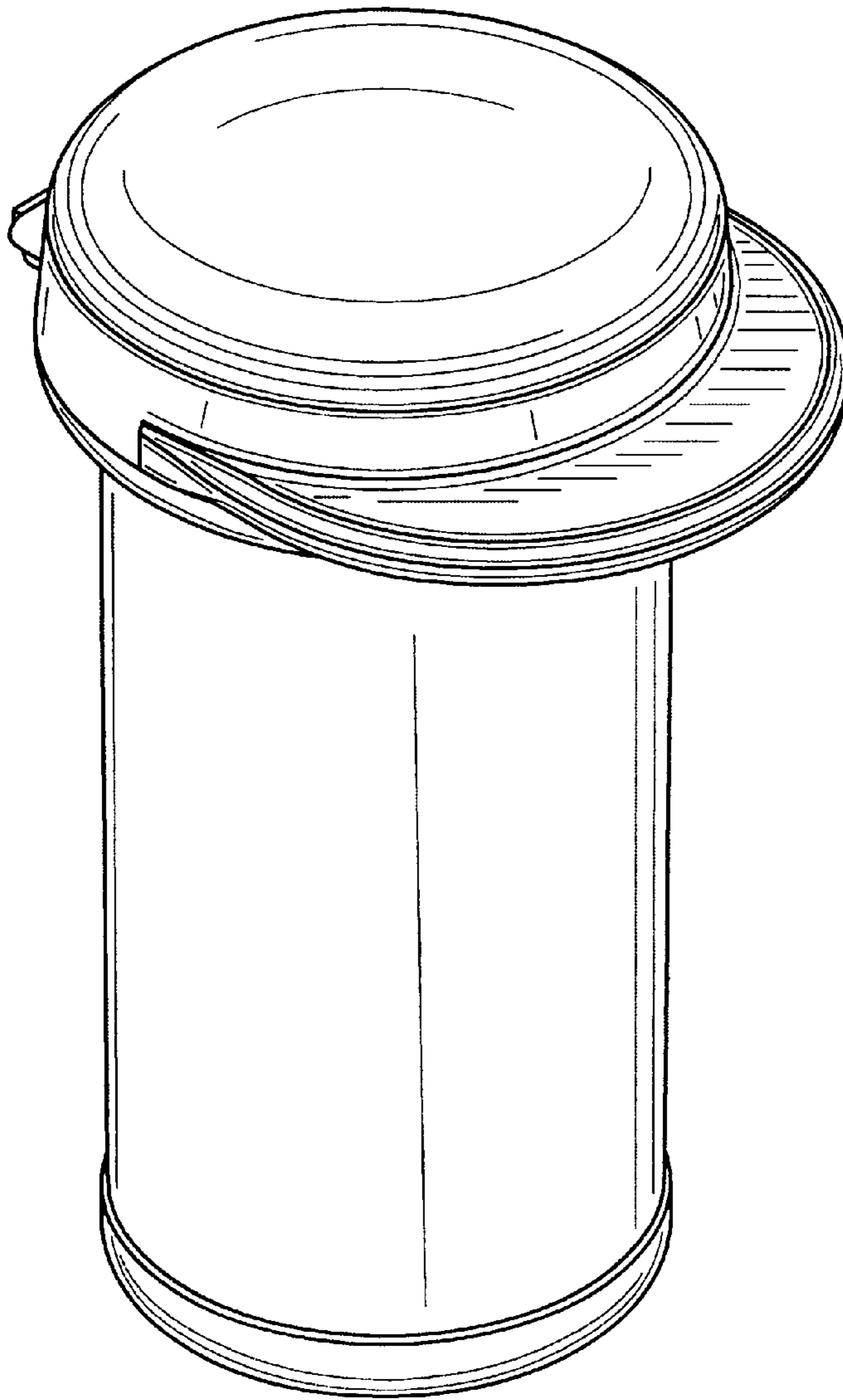


FIG. 2

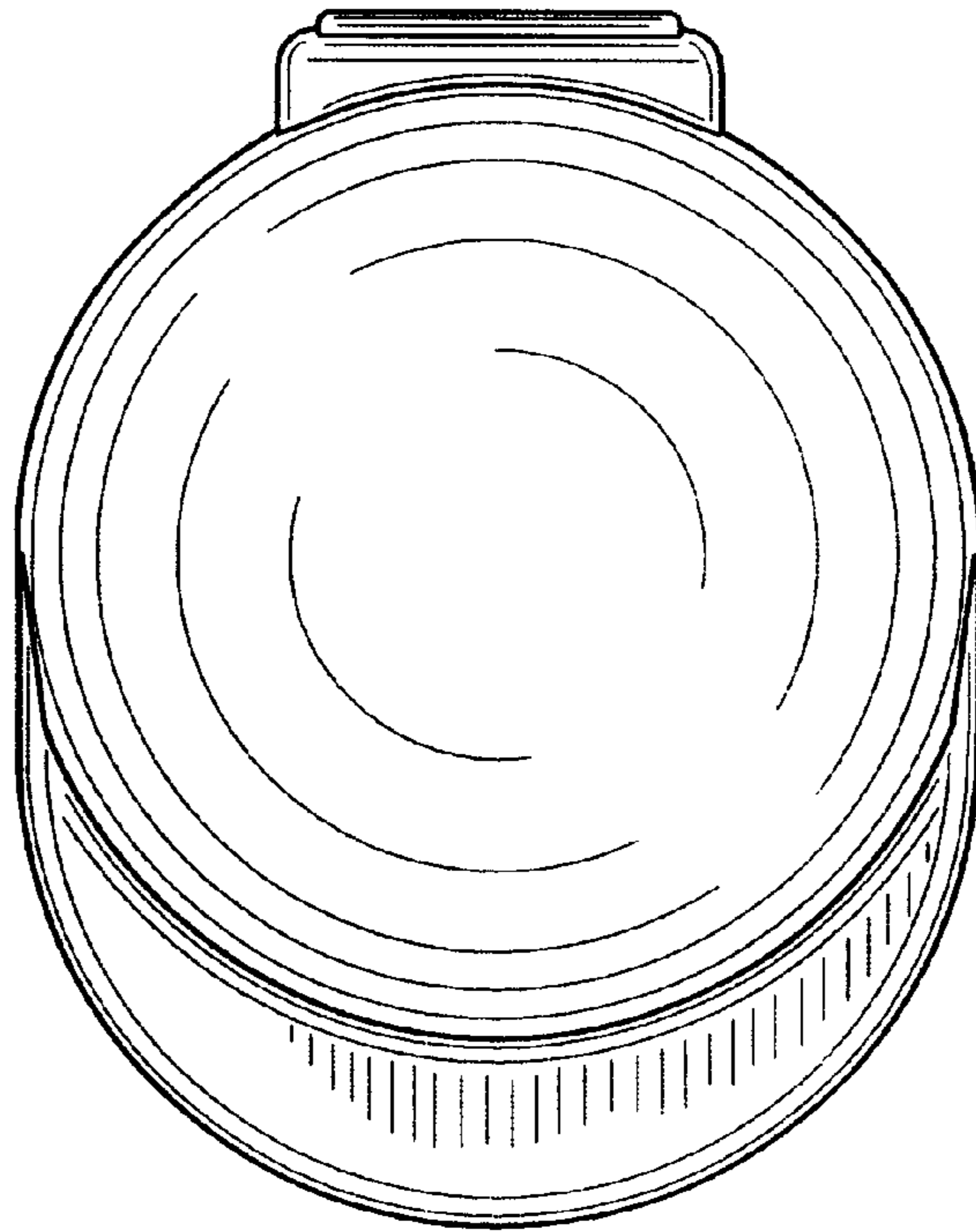


FIG. 3

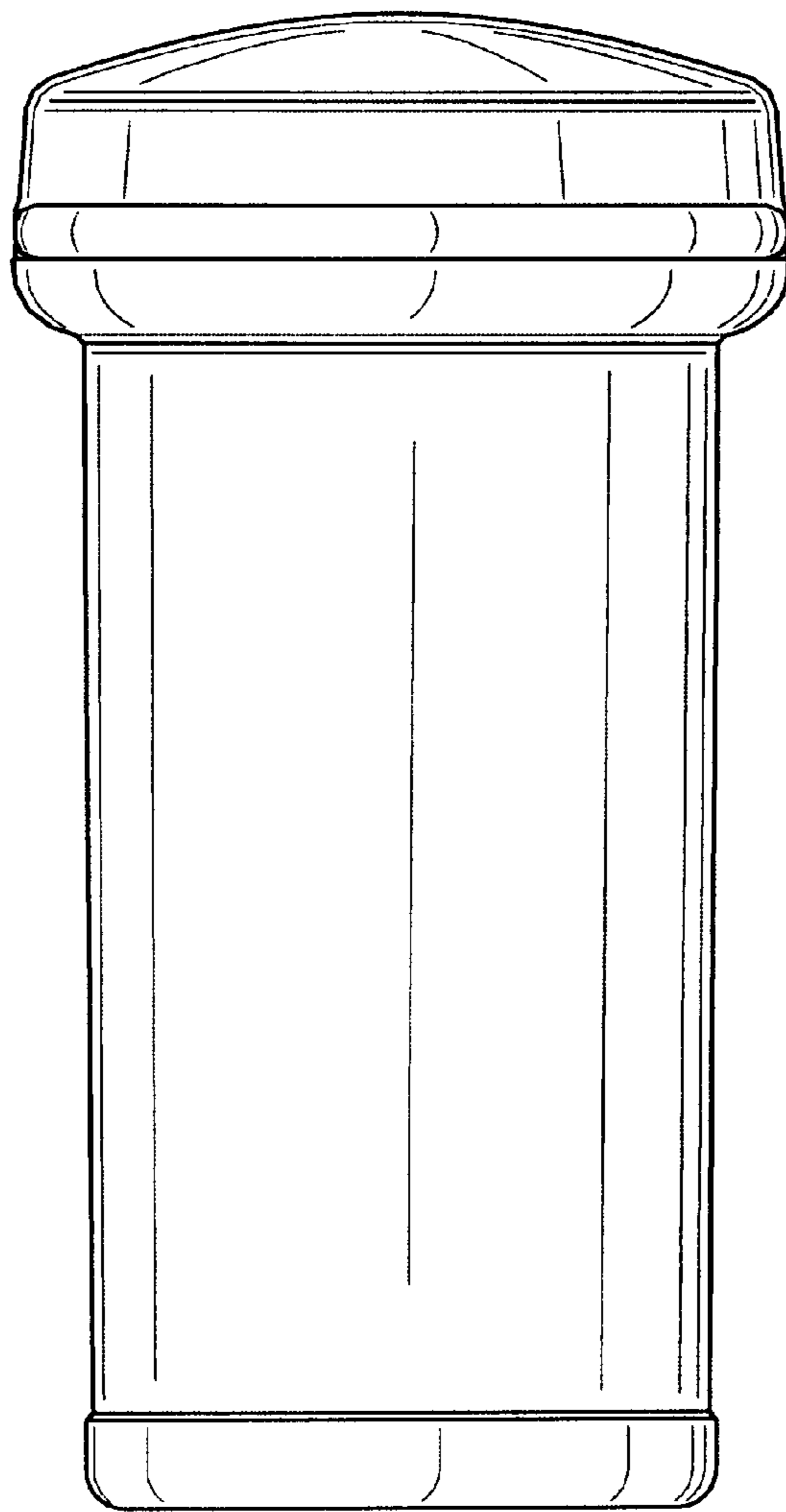


FIG. 4

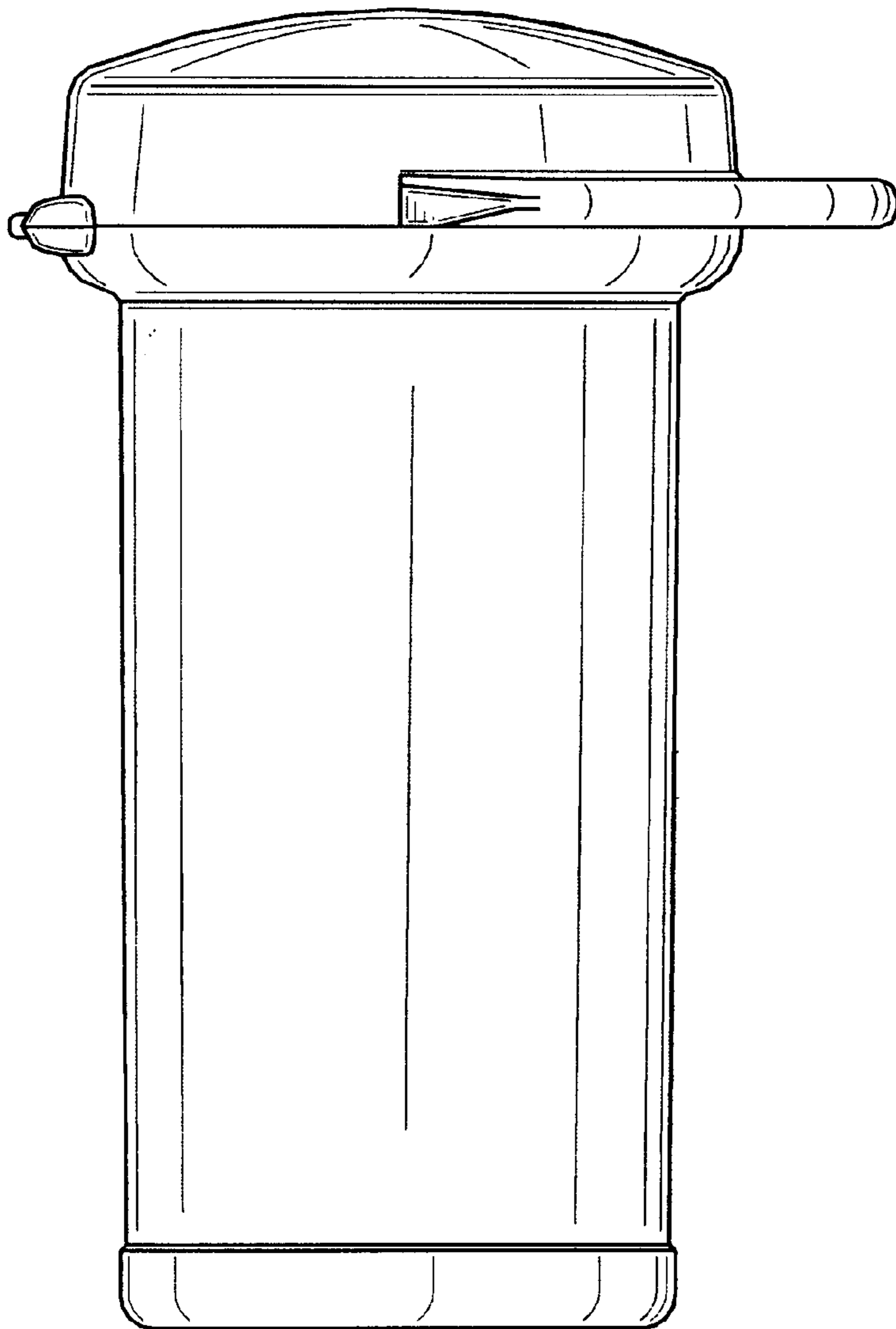


FIG. 5

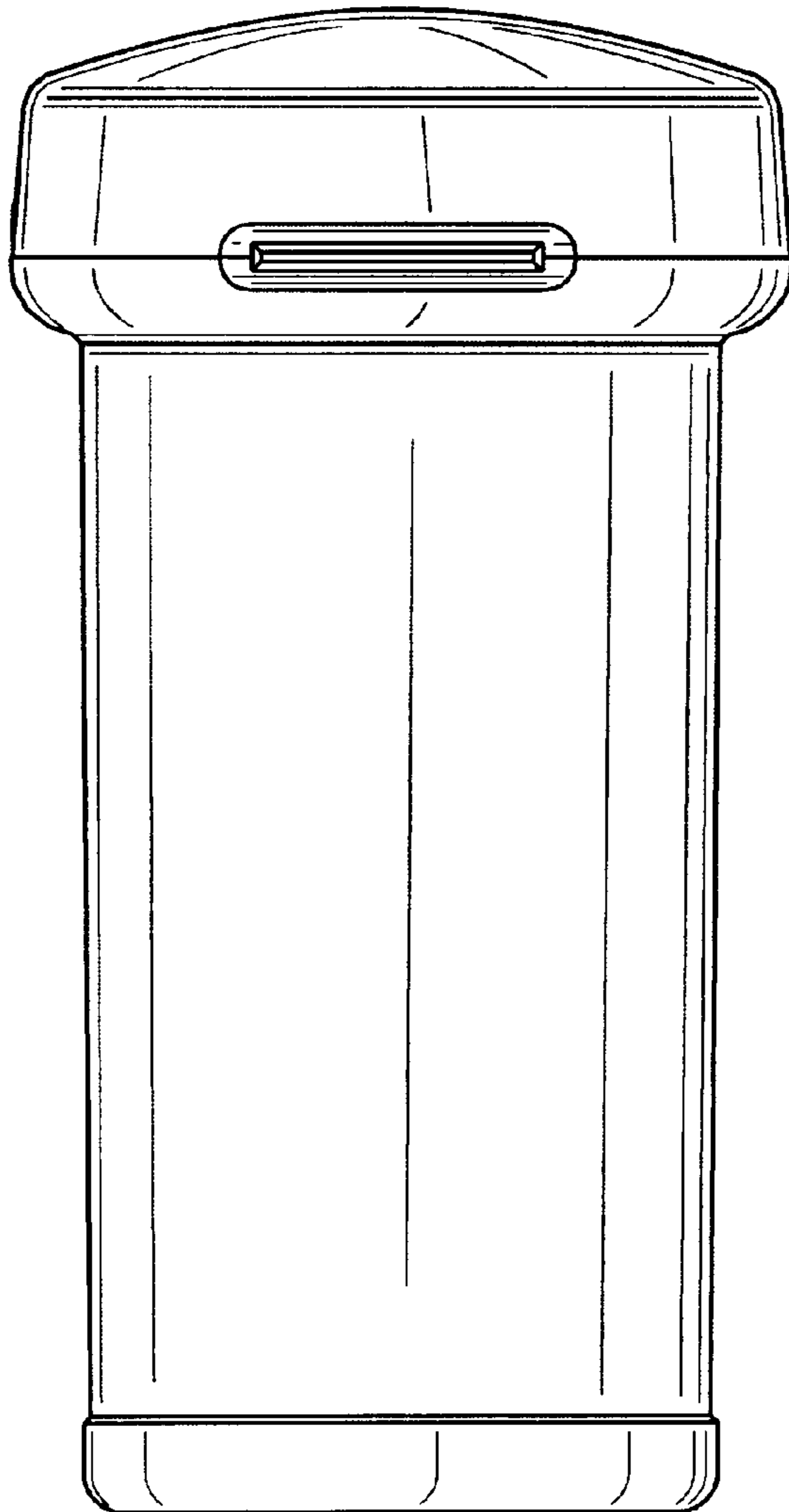


FIG. 6

