



US00D491269S

(12) **United States Design Patent**  
**Tucker et al.**

(10) **Patent No.:** **US D491,269 S**

(45) **Date of Patent:** **\*\* Jun. 8, 2004**

(54) **UNIVERSAL TRANSFER DEVICE**

(75) Inventors: **John H. Tucker**, Fairview, PA (US);  
**Timothy M. Barber**, Waterford, PA  
(US); **William P. Legler**, Erie, PA (US)

(73) Assignee: **Tucker Dental**, Erie, PA (US)

(\*\*) Term: **14 Years**

(21) Appl. No.: **29/172,731**

(22) Filed: **Dec. 17, 2002**

(51) **LOC (7) Cl.** ..... **24-01**

(52) **U.S. Cl.** ..... **D24/181**

(58) **Field of Search** ..... D24/181; 433/54,  
433/55, 56, 57, 60, 65, 61, 62, 68, 73

(56) **References Cited**

**U.S. PATENT DOCUMENTS**

4,030,197 A	6/1977	Linck, II et al.
4,245,987 A	1/1981	Bertoldi
4,315,740 A	2/1982	Mercer et al.
4,496,319 A	1/1985	Steinbock
4,533,323 A	8/1985	Huffman
4,600,385 A	7/1986	Lee
4,624,639 A	11/1986	Wong
4,634,377 A	1/1987	Behrend
5,573,397 A	11/1996	Silva

5,622,497 A	4/1997	Cho
5,730,593 A	3/1998	Mack
5,738,516 A	4/1998	Landry
5,749,725 A	5/1998	Chinlund
5,795,152 A	8/1998	Glatt
6,152,732 A	11/2000	Lindekugel
6,386,868 B1	5/2002	Fujita

*Primary Examiner*—Antoine Duval Davis  
(74) *Attorney, Agent, or Firm*—Fay, Sharpe, Fagan,  
Minnich & McKee, LLP

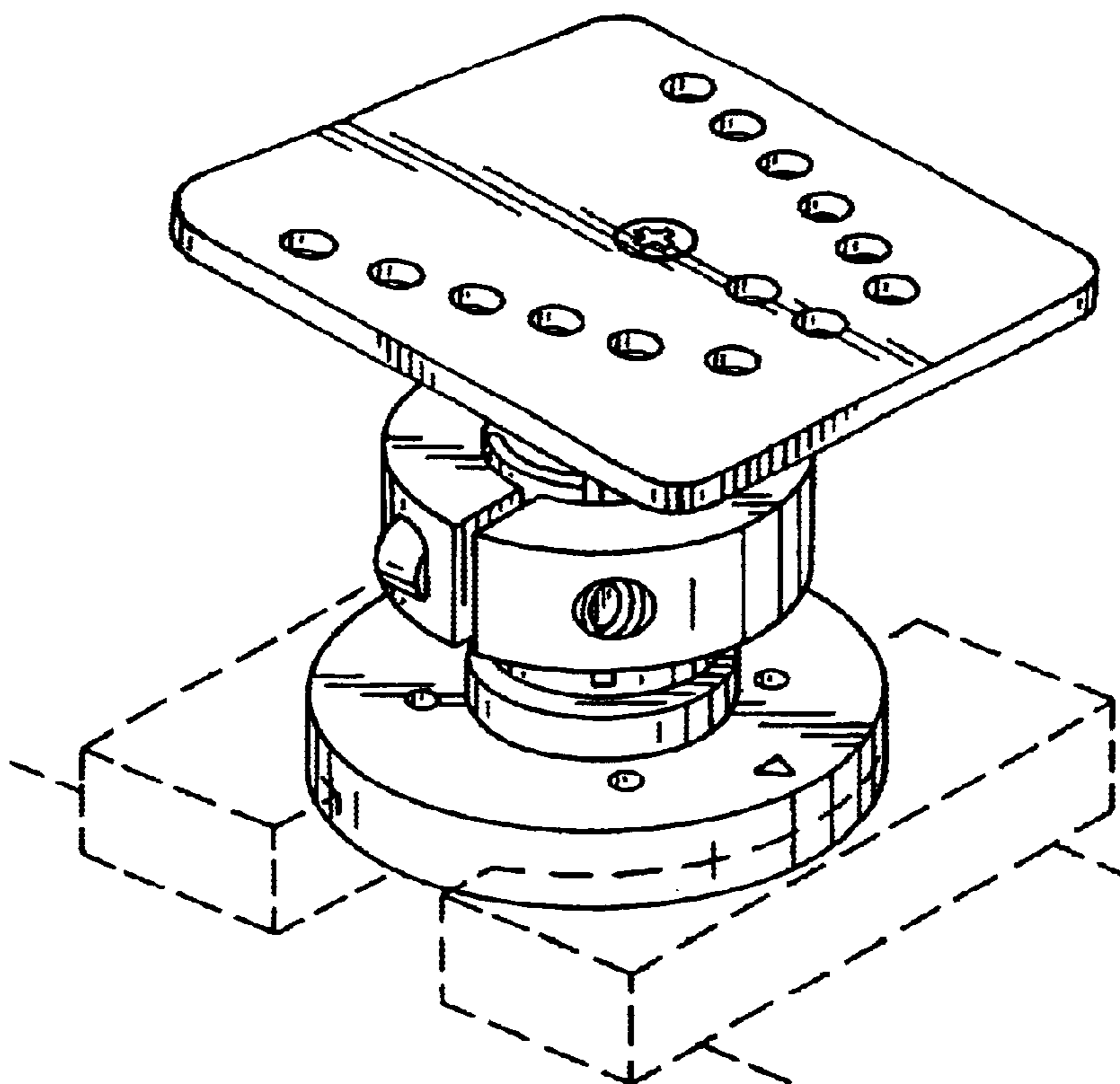
(57) **CLAIM**

The ornamental design for a universal transfer device, as shown and described.

**DESCRIPTION**

FIG. 1 is a perspective view of a universal transfer device illustrating our new design;  
FIG. 2 is a front elevational view thereof;  
FIG. 3 is a right side elevational view thereof;  
FIG. 4 is a left side elevational view thereof;  
FIG. 5 is a rear elevational view thereof.  
FIG. 6 is a top plan view thereof; and,  
FIG. 7 is a bottom plan view thereof.  
The broken line showing is for illustrative purposes only and forms no part of the claimed design.

**1 Claim, 2 Drawing Sheets**



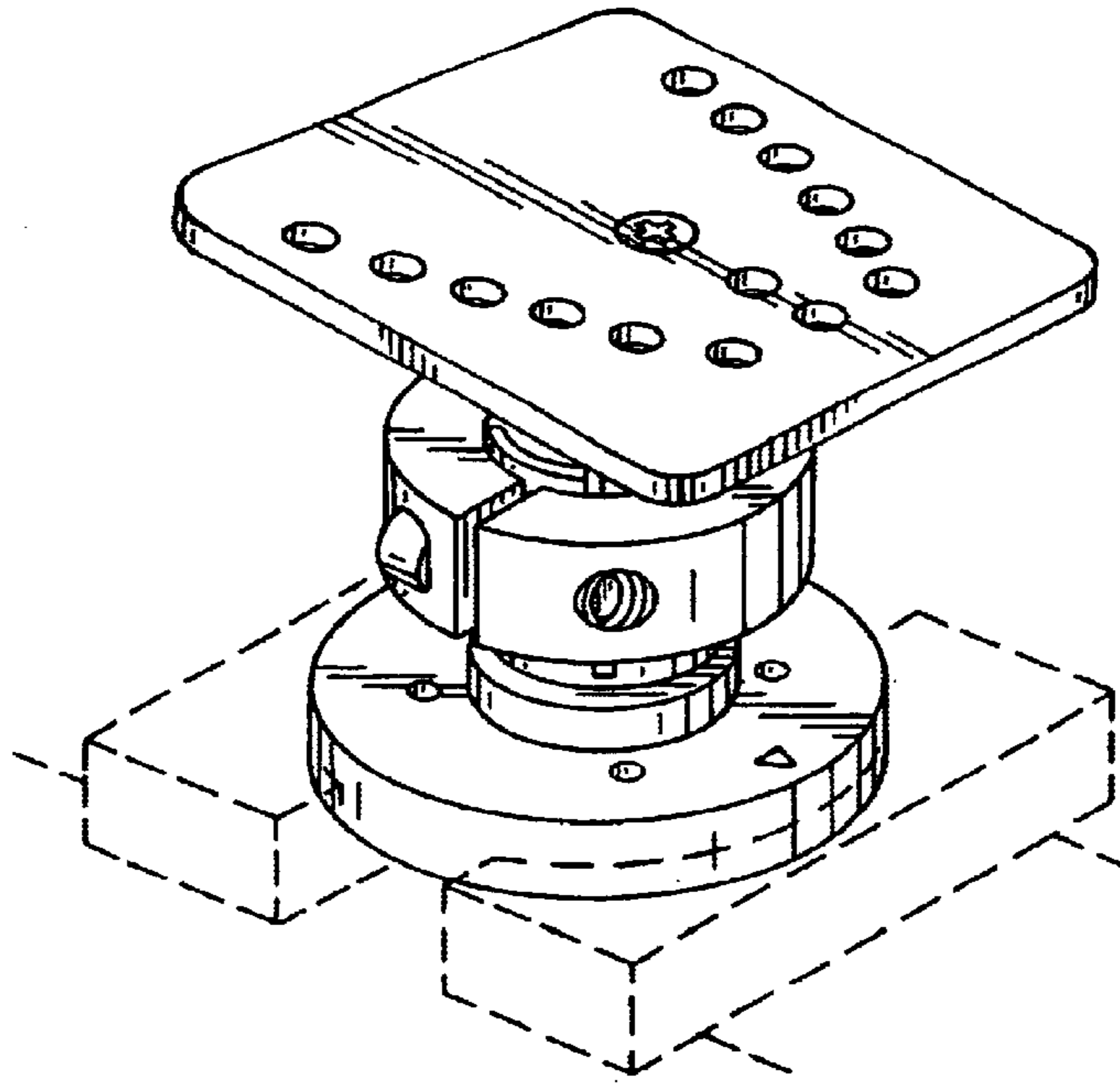


FIG. 1

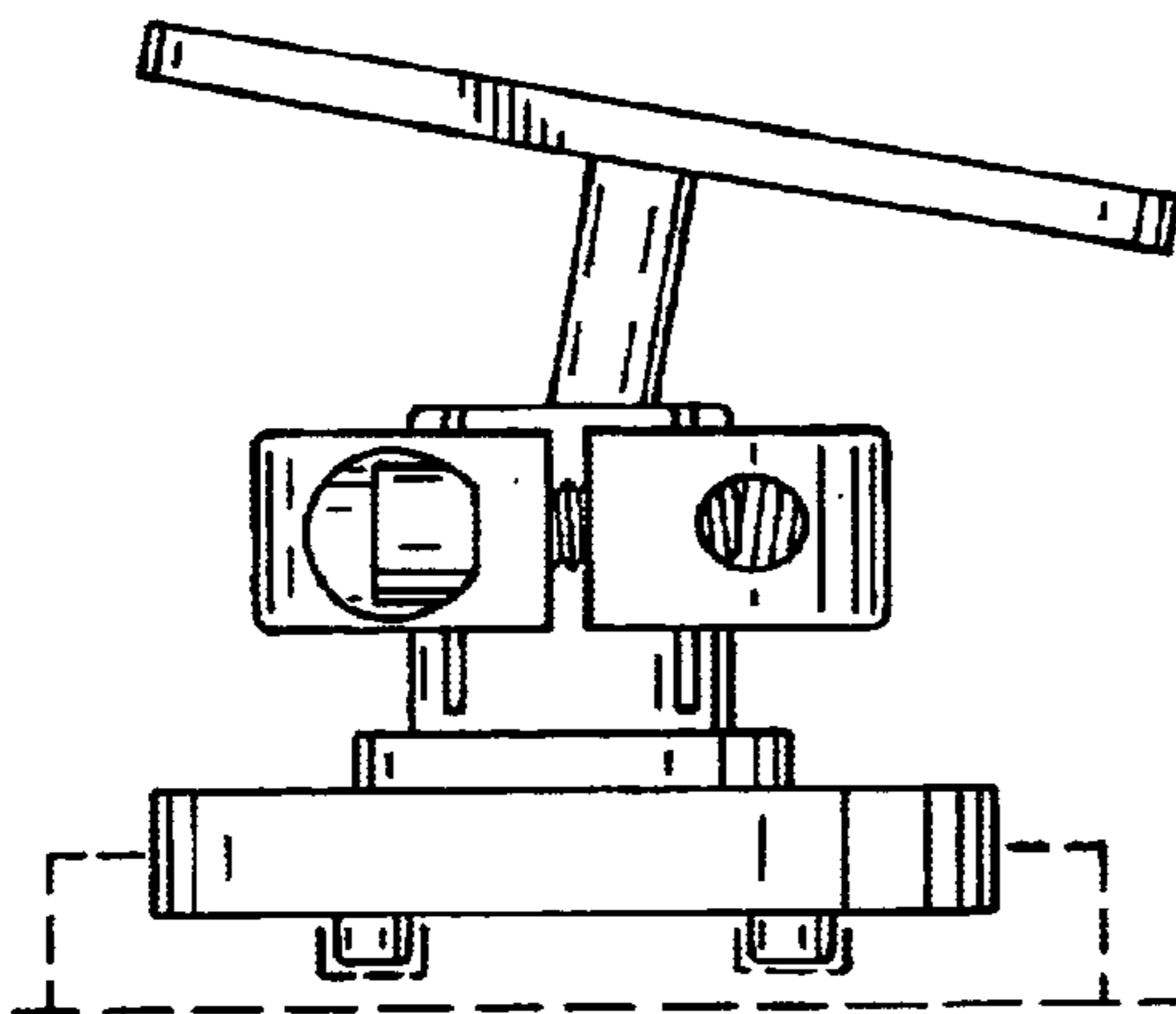


FIG. 2

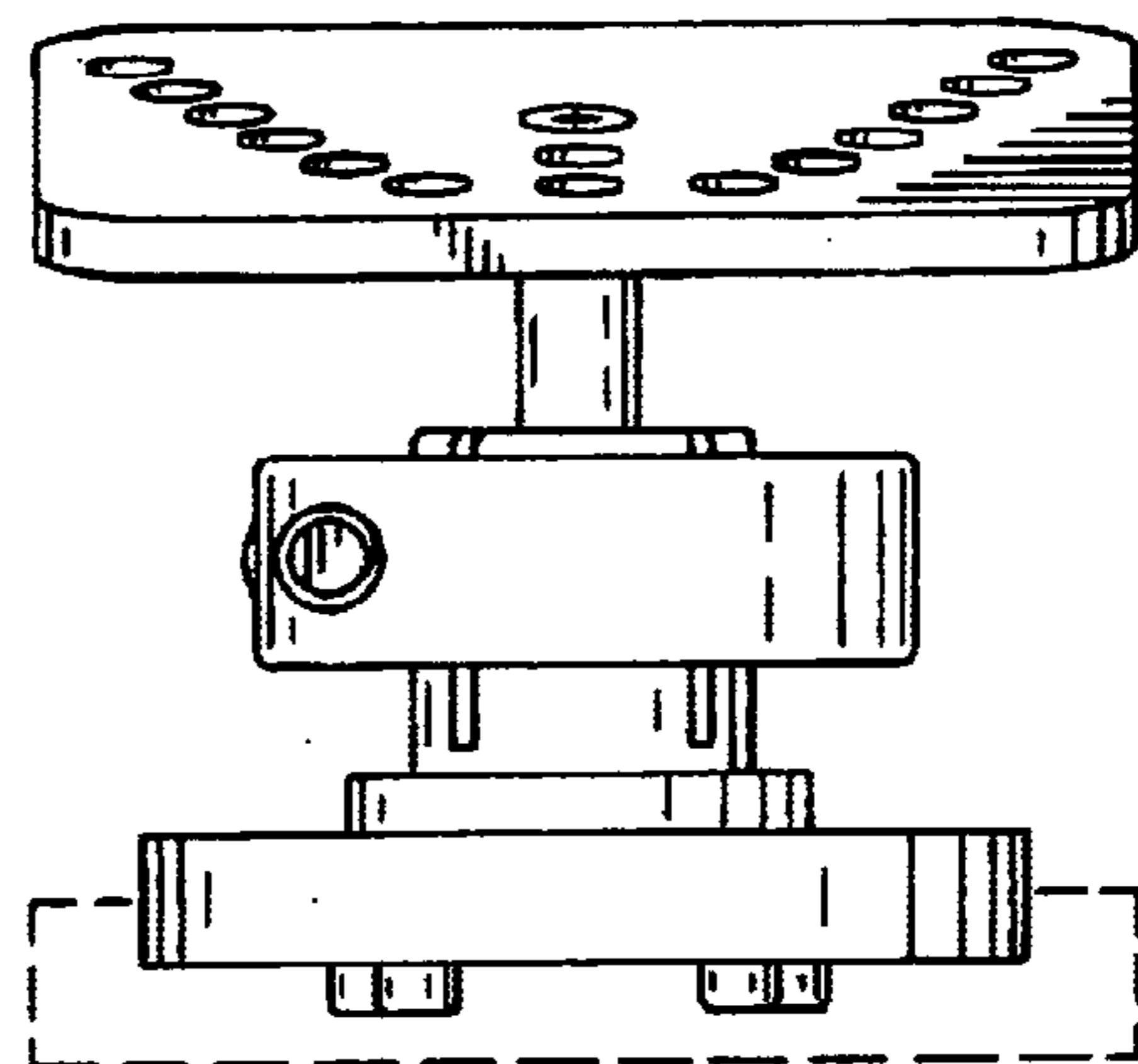


FIG. 3

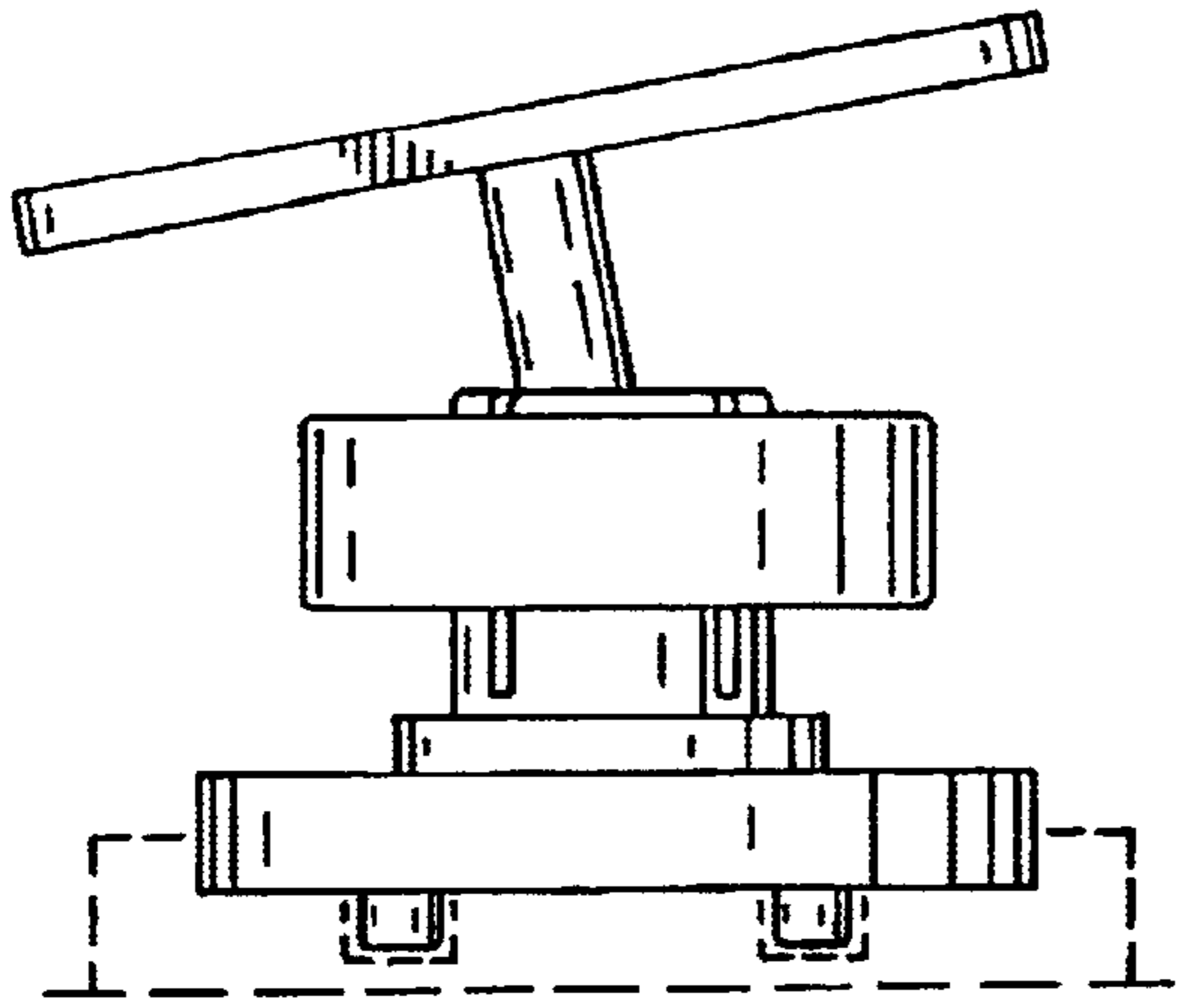


FIG. 5

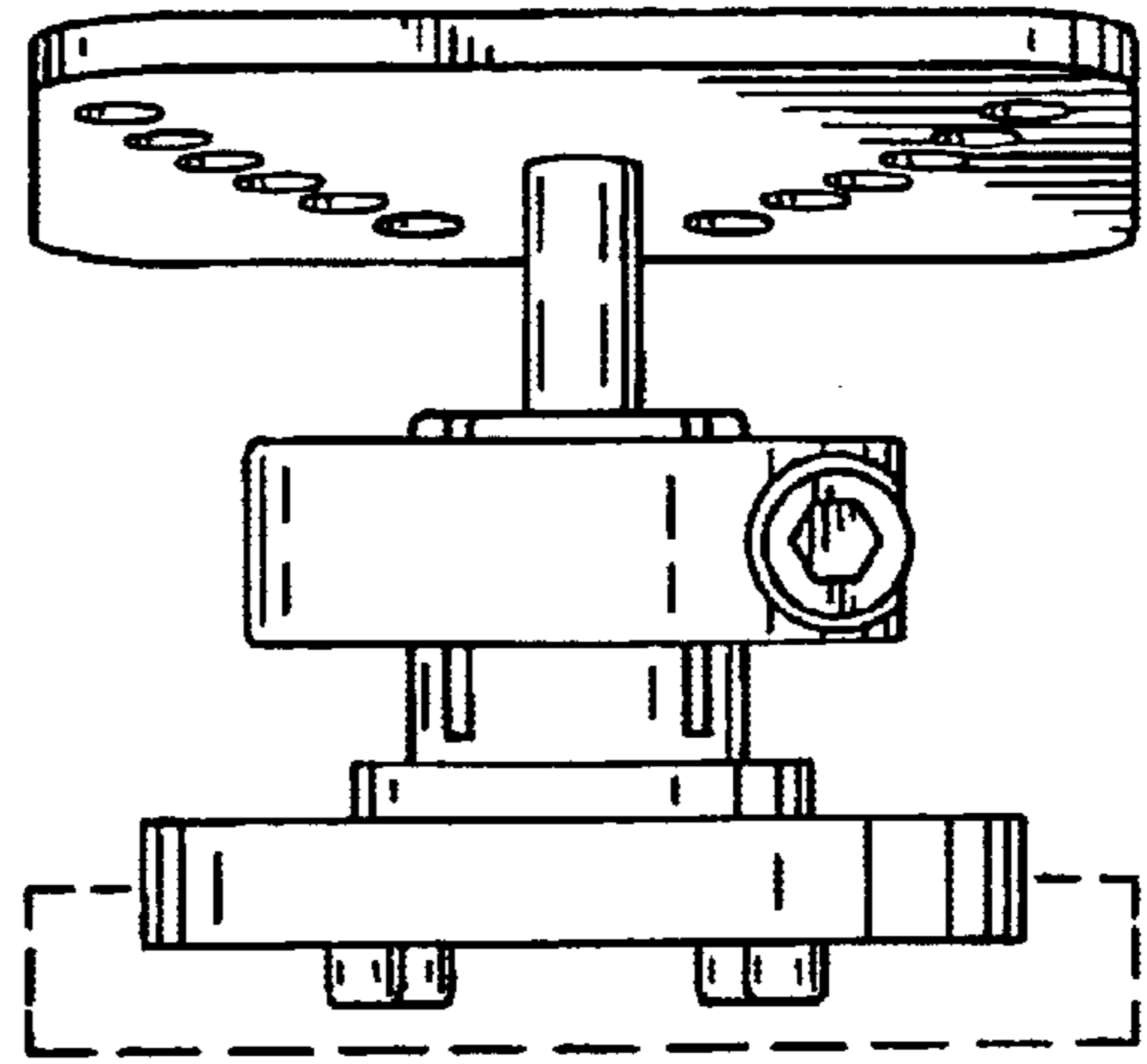


FIG. 4

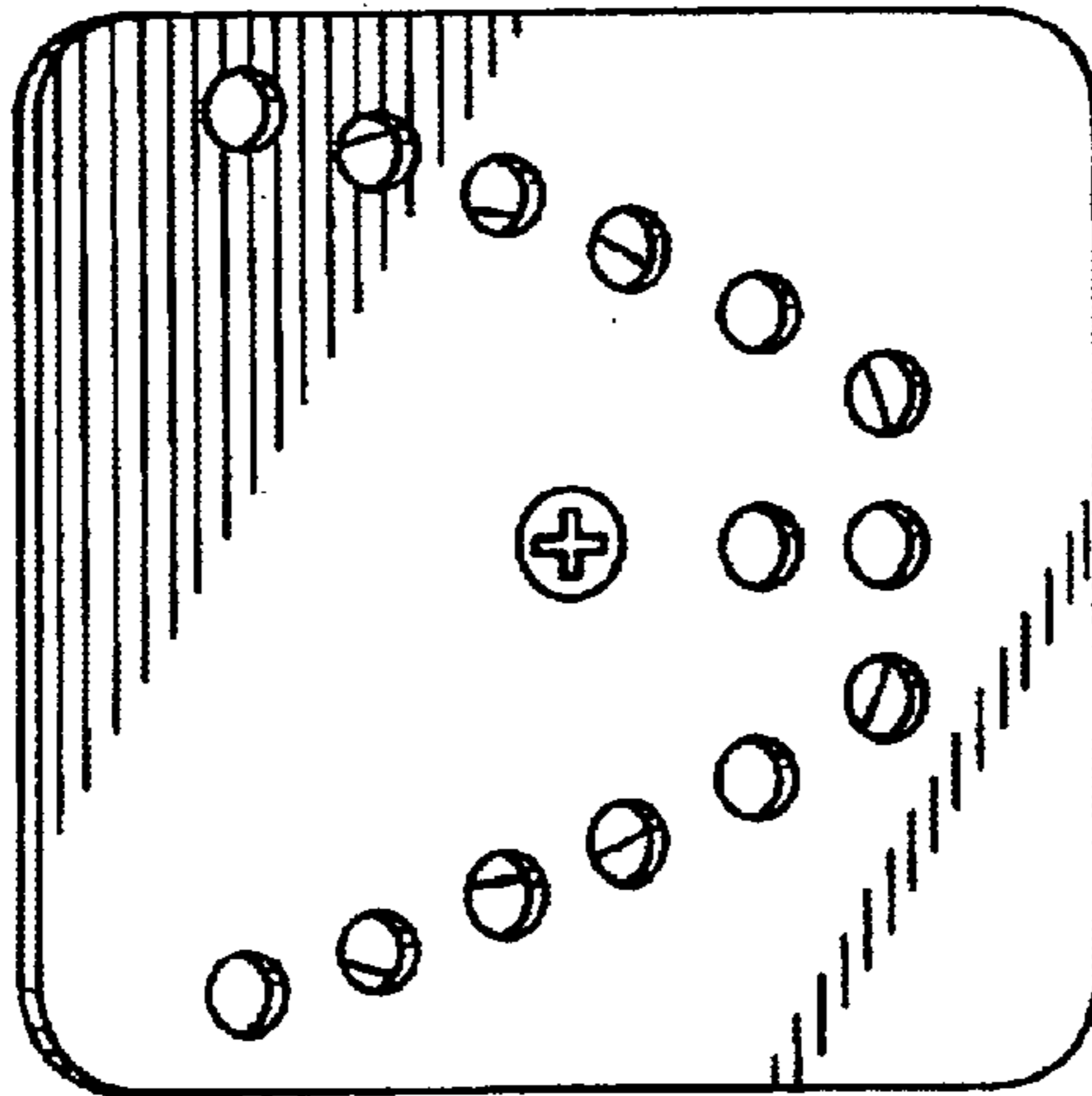


FIG. 6

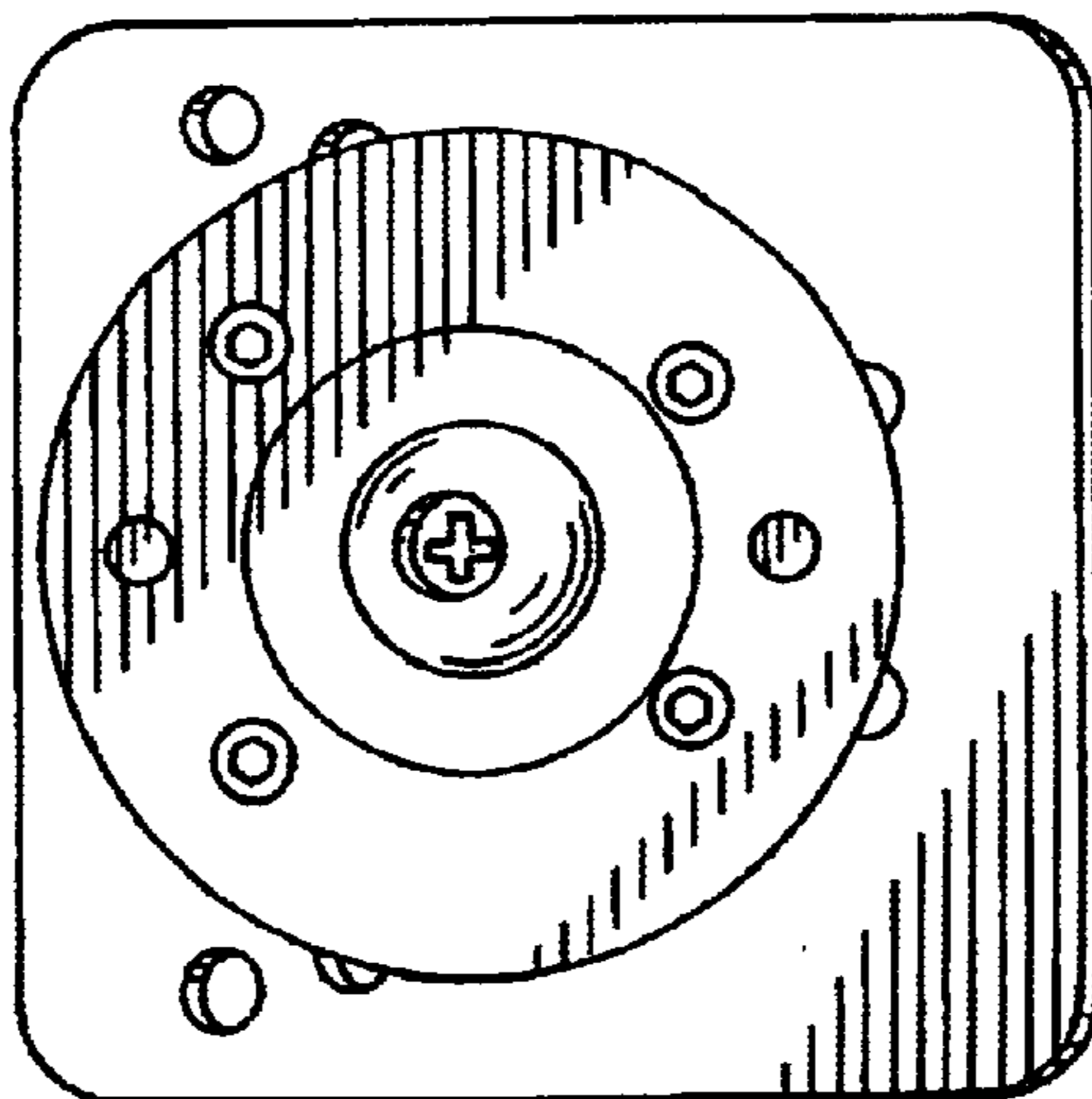


FIG. 7