



US00D491268S

(12) **United States Design Patent**
Hickingbotham

(10) **Patent No.:** **US D491,268 S**
(45) **Date of Patent:** **** Jun. 8, 2004**

(54) **MICROSURGICAL INSTRUMENT**

(75) Inventor: **Dyson W. Hickingbotham,**
Stouchsburg, PA (US)
(73) Assignee: **Alcon, Inc.,** Hunenberg (CH)
(**) Term: **14 Years**

(21) Appl. No.: **29/179,550**
(22) Filed: **Apr. 10, 2003**

(51) **LOC (7) Cl.** **24-02**
(52) **U.S. Cl.** **D24/147; D24/133; D24/143;**
D24/146; D24/150
(58) **Field of Search** **D24/133, 150,**
D24/143, 146, 147; 606/206, 174, 1, 4,
5, 166, 167

(56) **References Cited**

U.S. PATENT DOCUMENTS

4,201,213	A	5/1980	Townsend	
4,258,716	A	3/1981	Sutherland	
4,433,687	A	2/1984	Burke et al.	
4,877,026	A	10/1989	de Laforcade	
D328,644	S *	8/1992	Pericic	D24/133
5,263,958	A	11/1993	deGuillebon et al.	
5,275,607	A	1/1994	Lo et al.	
5,290,302	A	3/1994	Pericic	
5,350,391	A	9/1994	Iacovelli	
5,368,605	A	11/1994	Miller, Jr.	
5,395,386	A	3/1995	Slater	
5,439,461	A	8/1995	Storz	
5,443,476	A	8/1995	Shapiro	
5,498,256	A	3/1996	Furnish	
5,562,693	A	10/1996	Devlin	
5,634,918	A	6/1997	Richards	
5,669,925	A	9/1997	Saunders	
D388,516	S *	12/1997	Devlin	D24/143

(List continued on next page.)

FOREIGN PATENT DOCUMENTS

EP	0 870 486	A1	10/1998
EP	0 931 510	A1	7/1999

OTHER PUBLICATIONS

Alcon® Vision Care Brochure Providing Product Information for New Tears Naturale™ Punctal Plugs, 1278 OPP (1998); 7 pp.
Grieshaber Switzerland Brochure Providing Product Information for The Grieshaber Sutherland Round Handle (02.97); 1 p.
Grieshaber Switzerland Brochure Providing Product Information for The Grieshaber Foreign Body Forceps (03.98); 1 p.
Grieshaber Switzerland Brochure Providing Product Information for The Grieshaber Sutherland Rotatable Intraocular Microscissors (10.97); 5 pp.
Grieshaber Switzerland Brochure Providing Product Information for The Grieshaber Sutherland Rotatable Intraocular Microforceps (10.97); 5 pp.
Grieshaber Switzerland Brochure Providing Product Information for The Grieshaber Sutherland Foreign Body Magnet (08.97); 1 p.

Primary Examiner—Ian Simmons
(74) *Attorney, Agent, or Firm*—W. David Lee

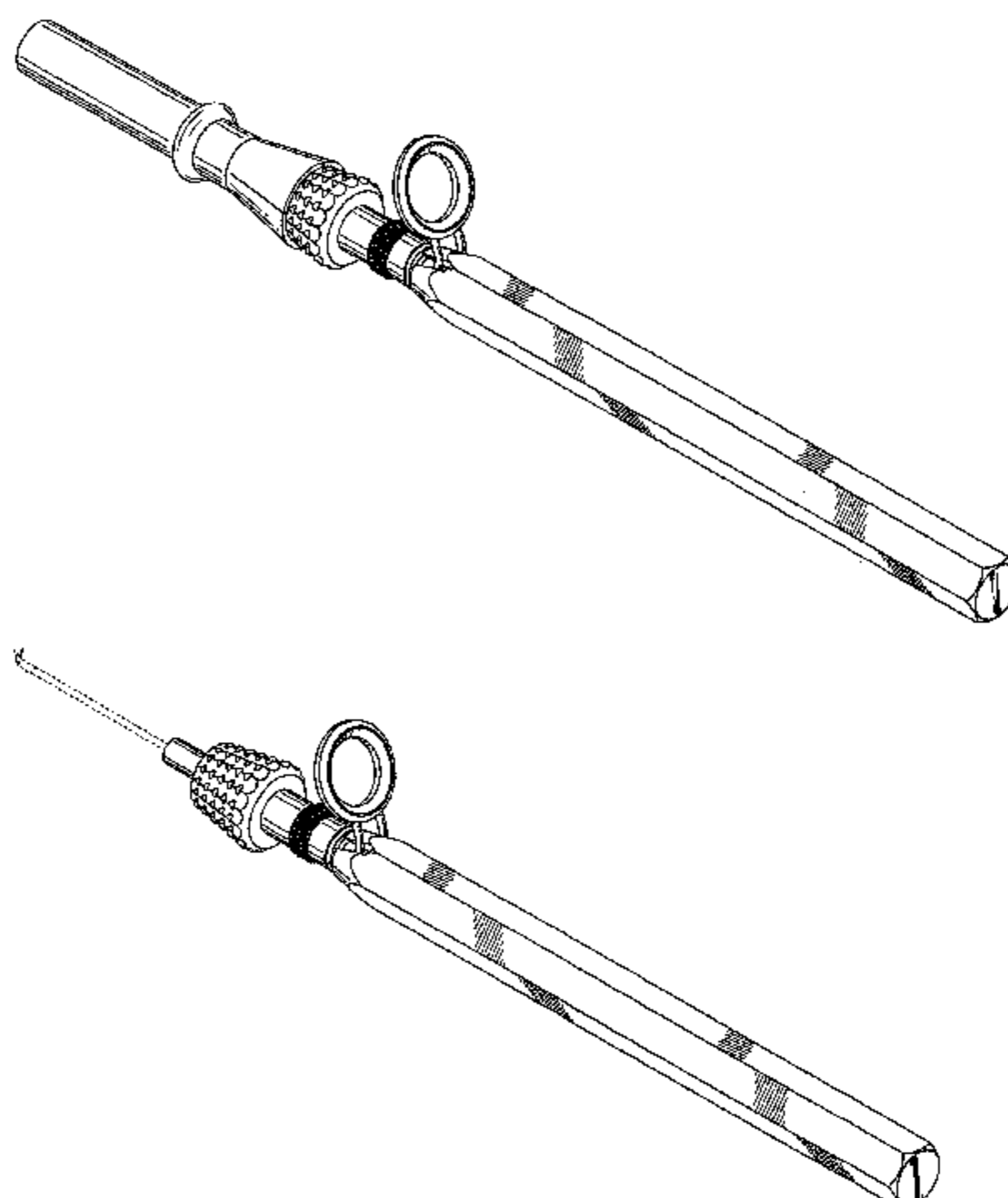
(57) **CLAIM**

The ornamental design for a microsurgical instrument, as shown and described.

DESCRIPTION

FIG. 1 is a perspective view of a microsurgical instrument showing my new design;
FIG. 2 is an enlarged front view thereof;
FIG. 3 is an enlarged rear view thereof;
FIG. 4 is a perspective view thereof, with the cap removed. The broken line showing is for illustrative purposes only and forms no part of the claimed design;
FIG. 5 is a bottom plan view thereof;
FIG. 6 is a top plan view thereof;
FIG. 7 is a left side view thereof, the right side view being identical thereto;
FIG. 8 is an enlarged front view thereof; and,
FIG. 9 is an enlarged rear view thereof.

1 Claim, 6 Drawing Sheets



US D491,268 S

Page 2

U.S. PATENT DOCUMENTS

5,700,275	A	12/1997	Bell et al.	6,312,430	B1	11/2001	Wilson et al.
5,735,873	A	4/1998	MacLean	6,391,046	B1	5/2002	Overaker et al.
5,893,873	A	4/1999	Rader et al.	D460,185	S	* 7/2002	Etter et al. D24/147
5,928,263	A	7/1999	Hoogeboom	D463,555	S	* 9/2002	Etter et al. D24/147
5,928,264	A	7/1999	Sugarbaker et al.	6,482,198	B1	11/2002	Overaker et al.
5,976,121	A	11/1999	Matern et al.	6,488,695	B1	12/2002	Hichingbotham
6,168,605	B1	1/2001	Measamer et al.				

* cited by examiner

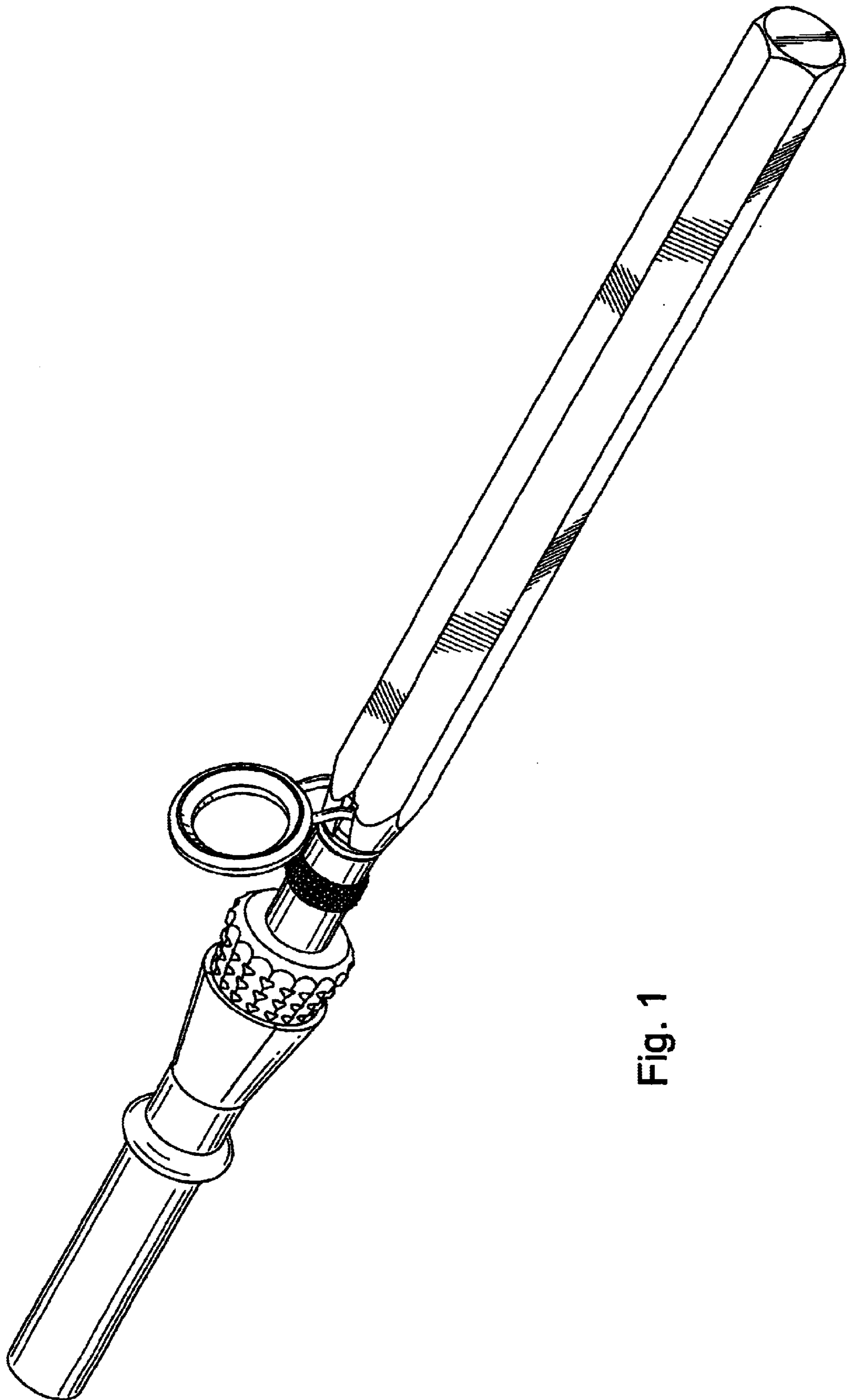


Fig. 1

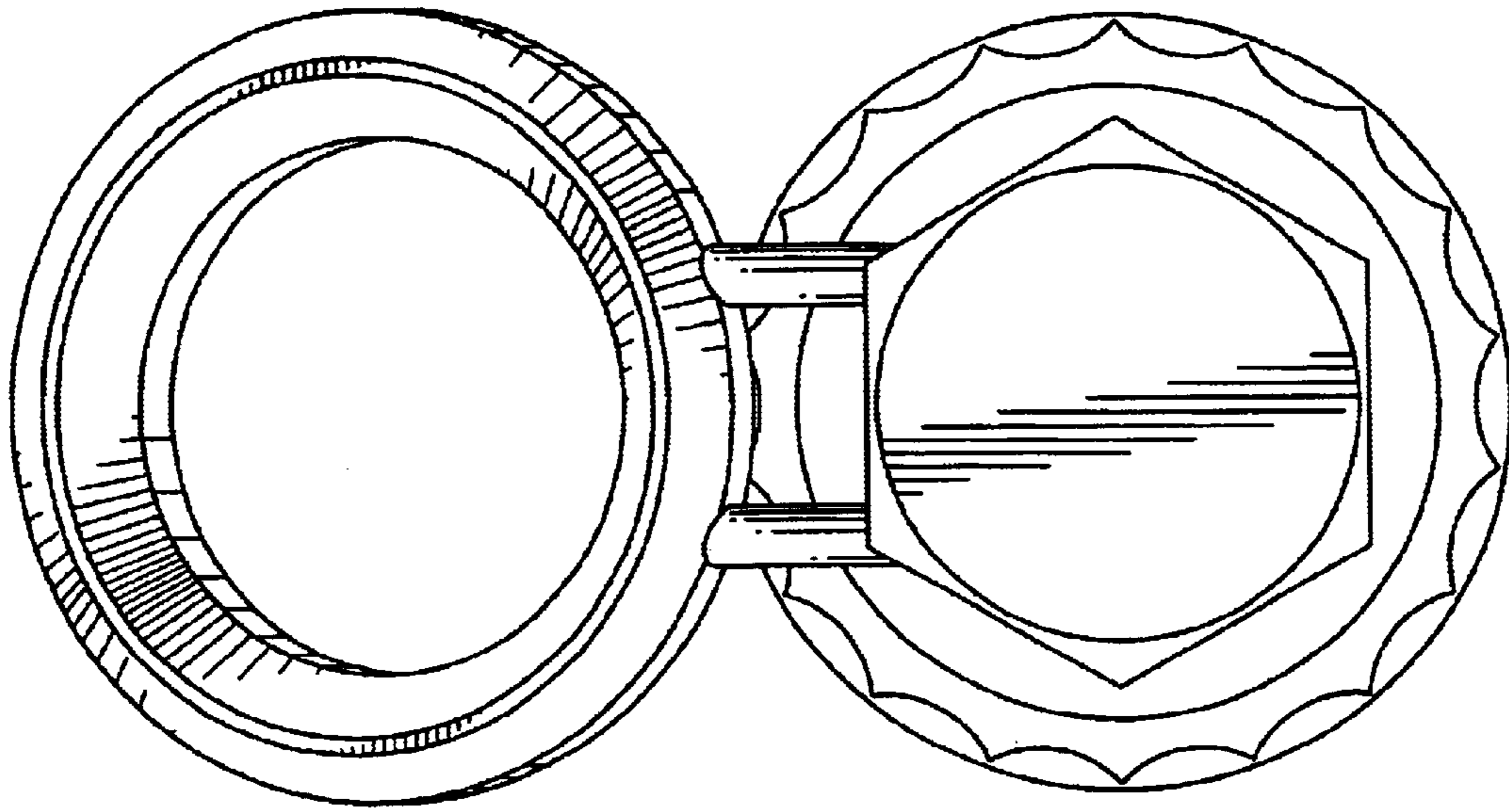


Fig. 3

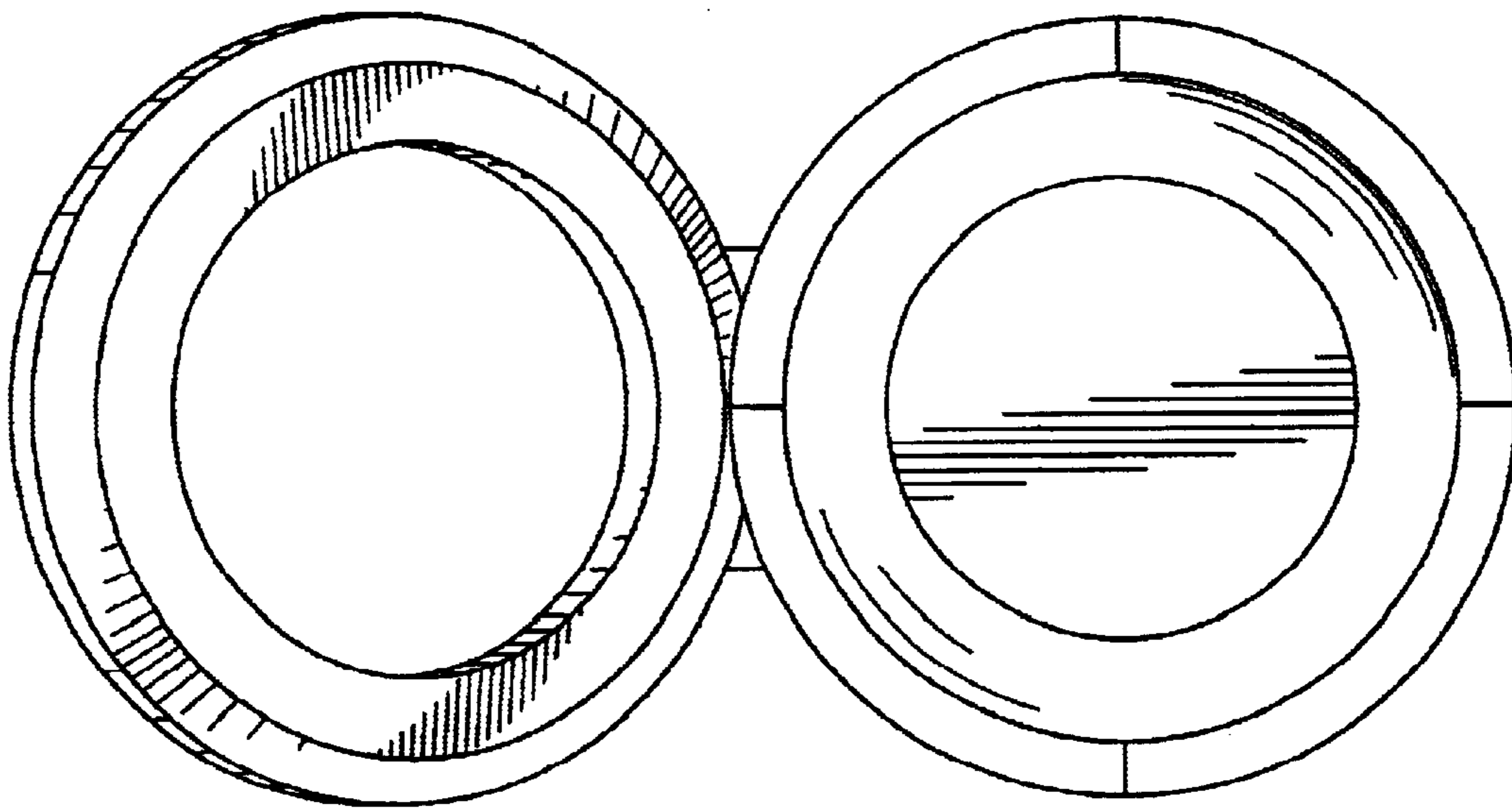


Fig. 2

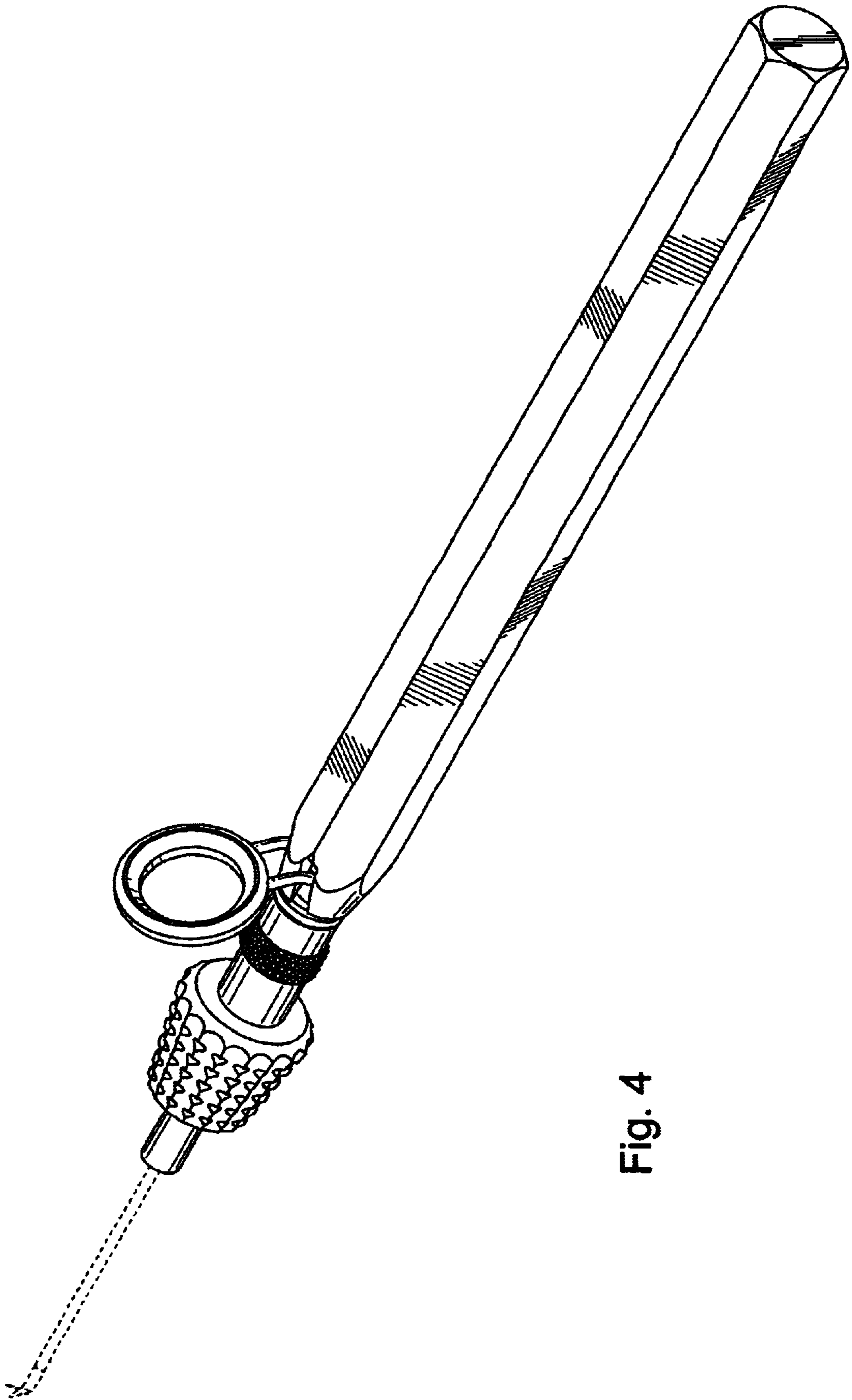


Fig. 4

Fig. 5

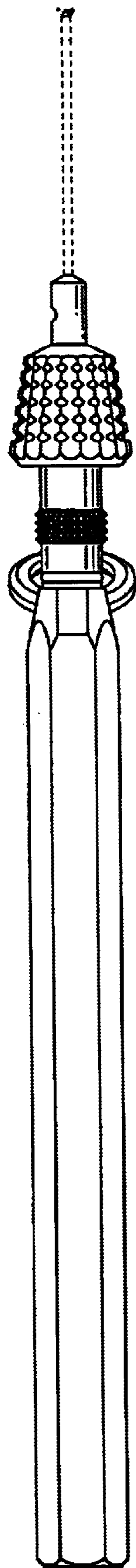
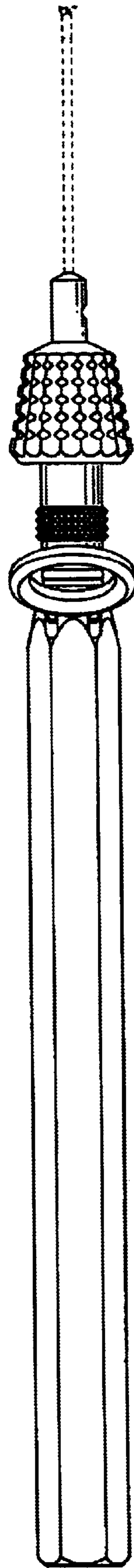


Fig. 6



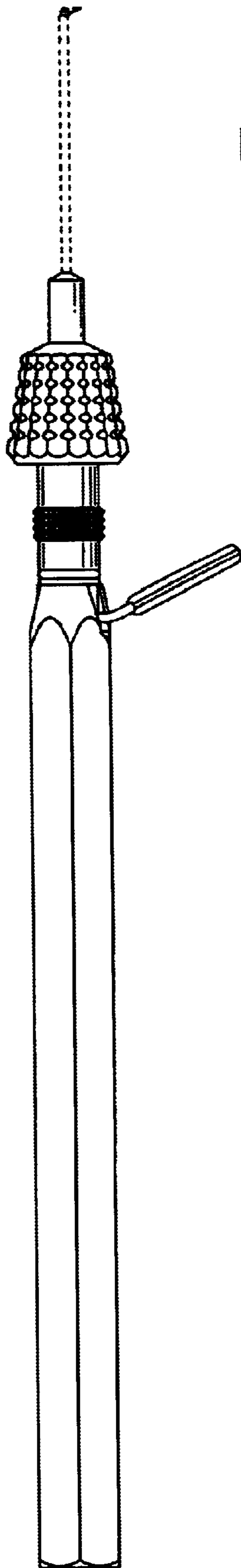


Fig. 7

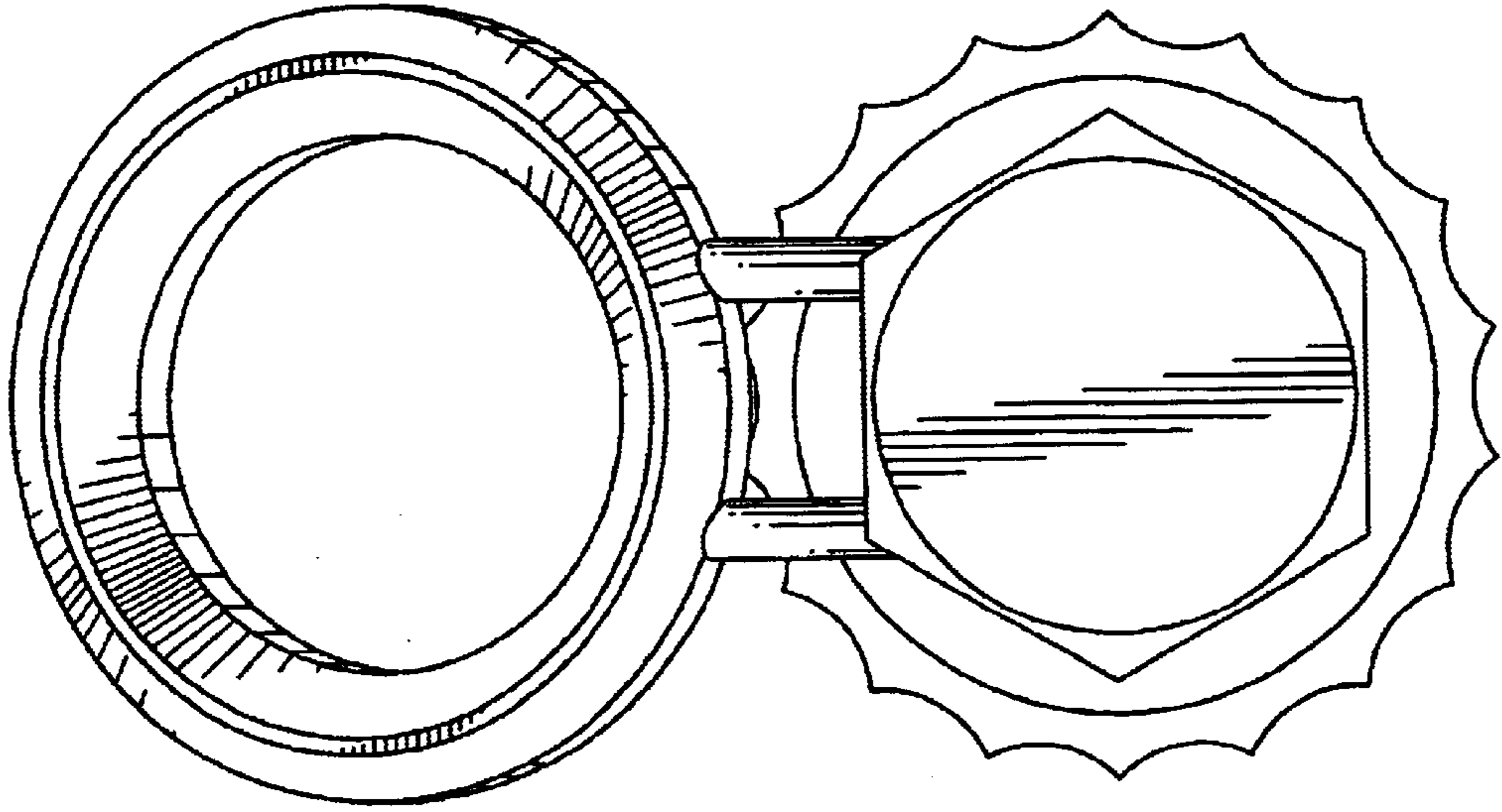


Fig. 9

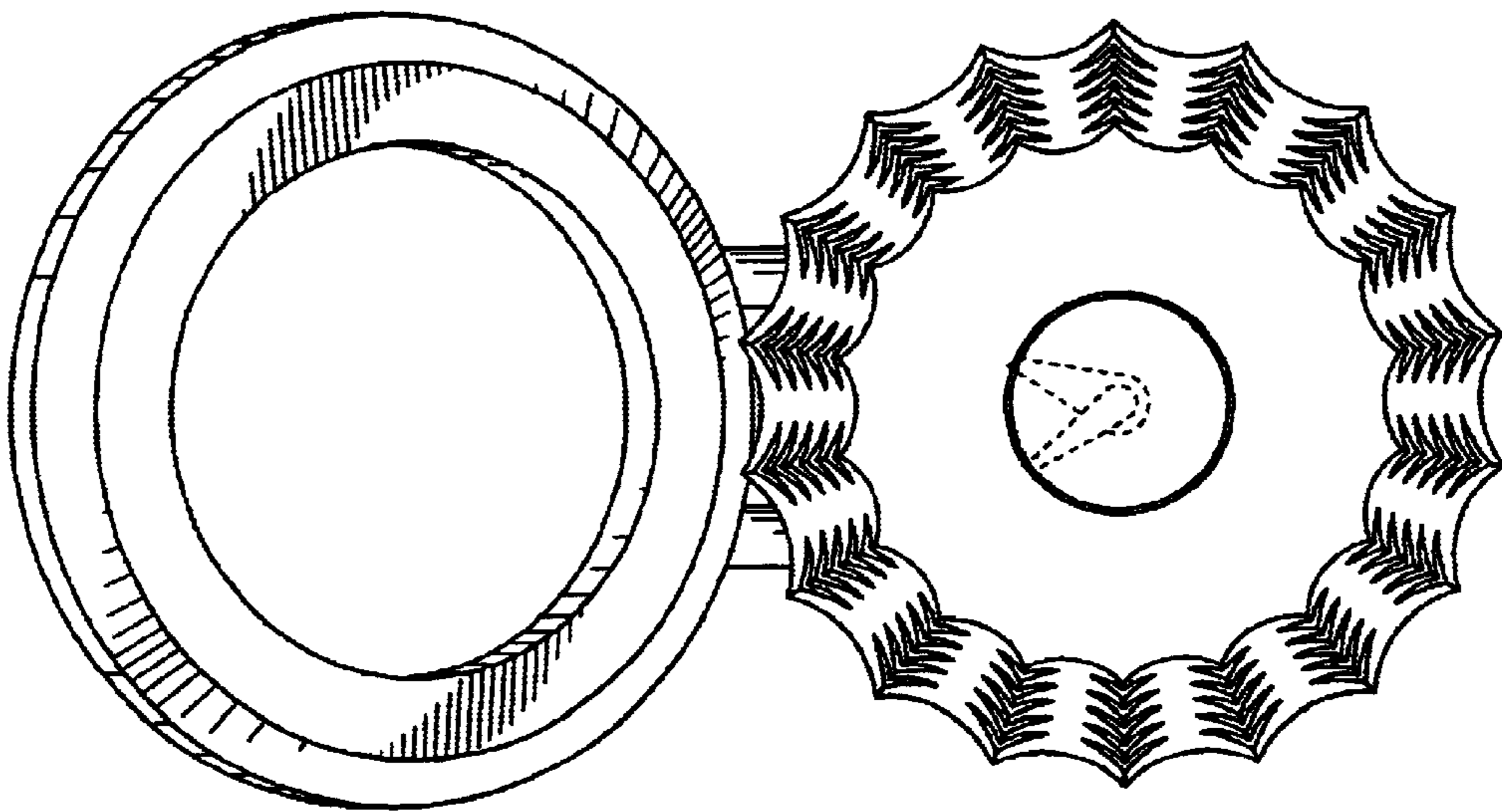


Fig. 8