



US00D491267S

(12) **United States Design Patent**
Ashraf

(10) **Patent No.:** **US D491,267 S**

(45) **Date of Patent:** **** Jun. 8, 2004**

(54) **LARYNGOSCOPE BLADE**
(75) Inventor: **Mohammed Ashraf, Sialkot (PK)**
(73) Assignee: **Hilbro Instruments PVT (Ltd.) (PK)**
(**) Term: **14 Years**

(21) Appl. No.: **29/172,141**
(22) Filed: **Dec. 6, 2002**
(30) **Foreign Application Priority Data**

Jun. 28, 2002 (DE) 4 02 05 453

(51) **LOC (7) Cl.** **24-02**
(52) **U.S. Cl.** **D24/137**
(58) **Field of Search** D24/137, 138;
600/184-199

(56) **References Cited**

U.S. PATENT DOCUMENTS

D297,363 S * 8/1988 Salerno et al. D24/138
5,060,633 A * 10/1991 Gibson 600/193

D337,384 S * 7/1993 Schucman D24/138
D369,407 S * 4/1996 Smith D24/137
D399,957 S * 10/1998 Chernov et al. D24/146
D413,977 S * 9/1999 Cranton et al. D24/138

* cited by examiner

Primary Examiner—Stella Reid

(74) *Attorney, Agent, or Firm*—Bachman & LaPointe

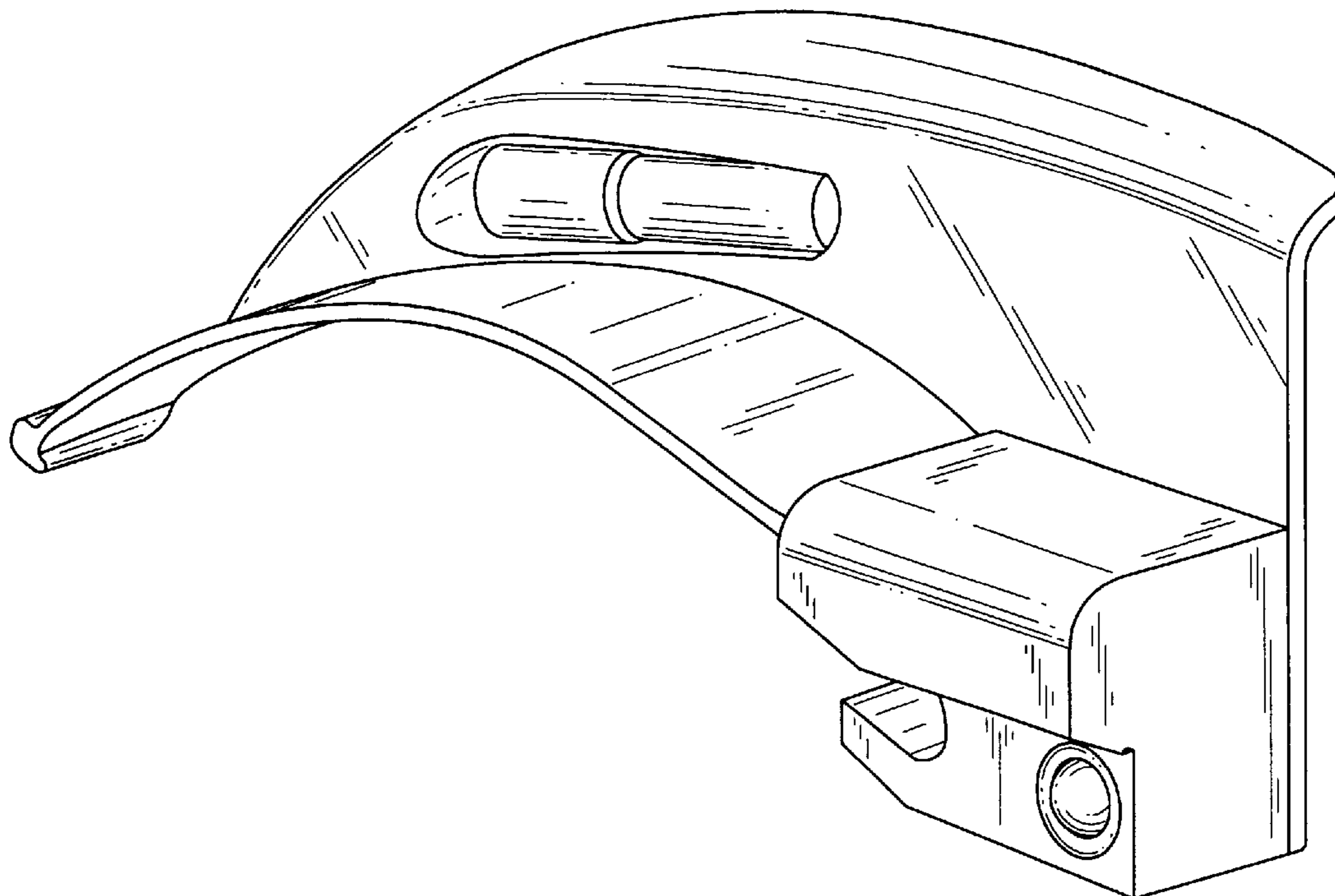
(57) **CLAIM**

The ornamental design for a laryngoscope blade, as shown and described.

DESCRIPTION

FIG. 1 is a perspective view of a laryngoscope blade, embodying my new design;
FIG. 2 is a bottom plan view thereof;
FIG. 3 is a front elevation view thereof;
FIG. 4 is a back elevation view thereof;
FIG. 5 is a top plan view thereof;
FIG. 6 is a left elevation view thereof; and,
FIG. 7 is a right elevation view thereof.

1 Claim, 2 Drawing Sheets



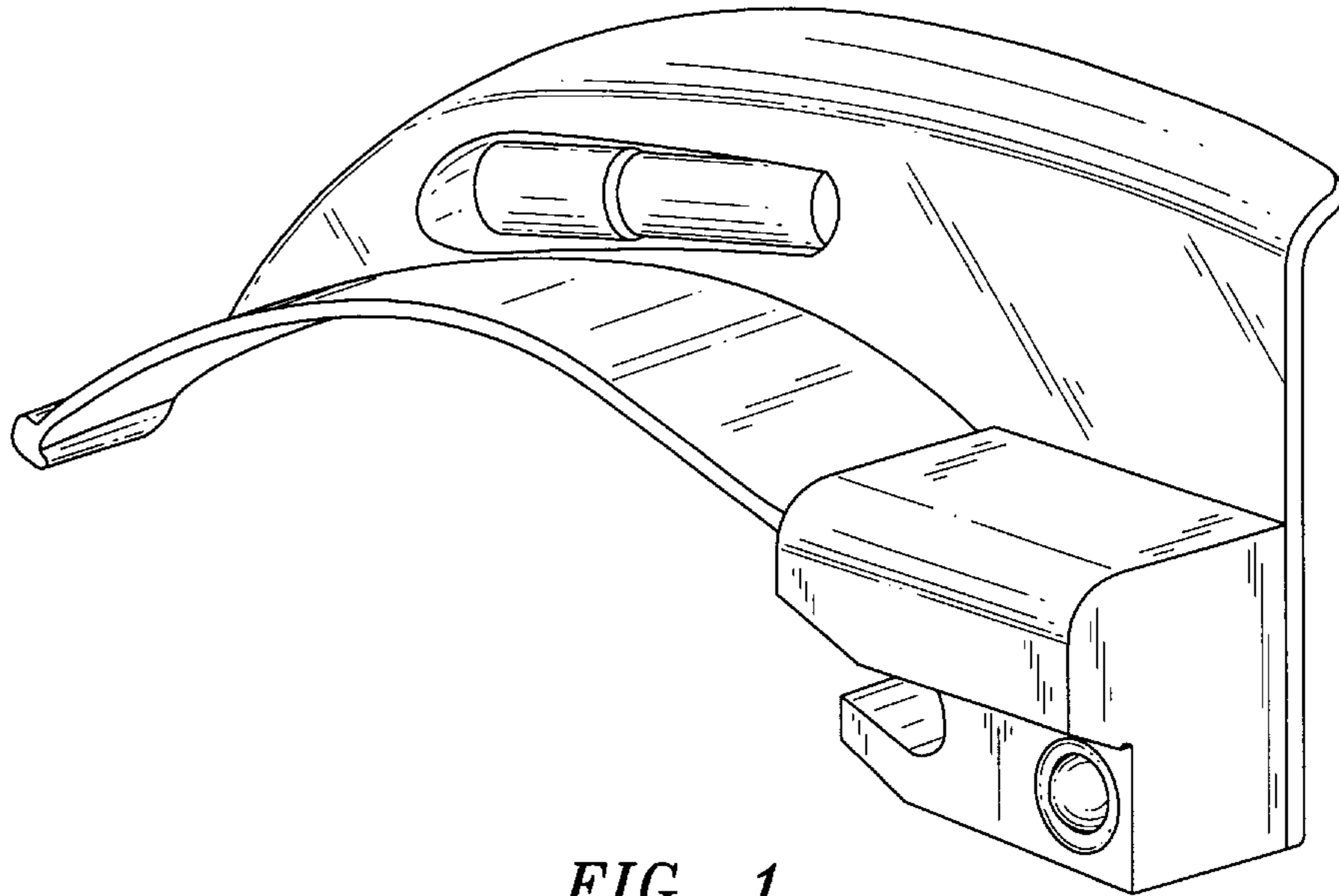


FIG. 1

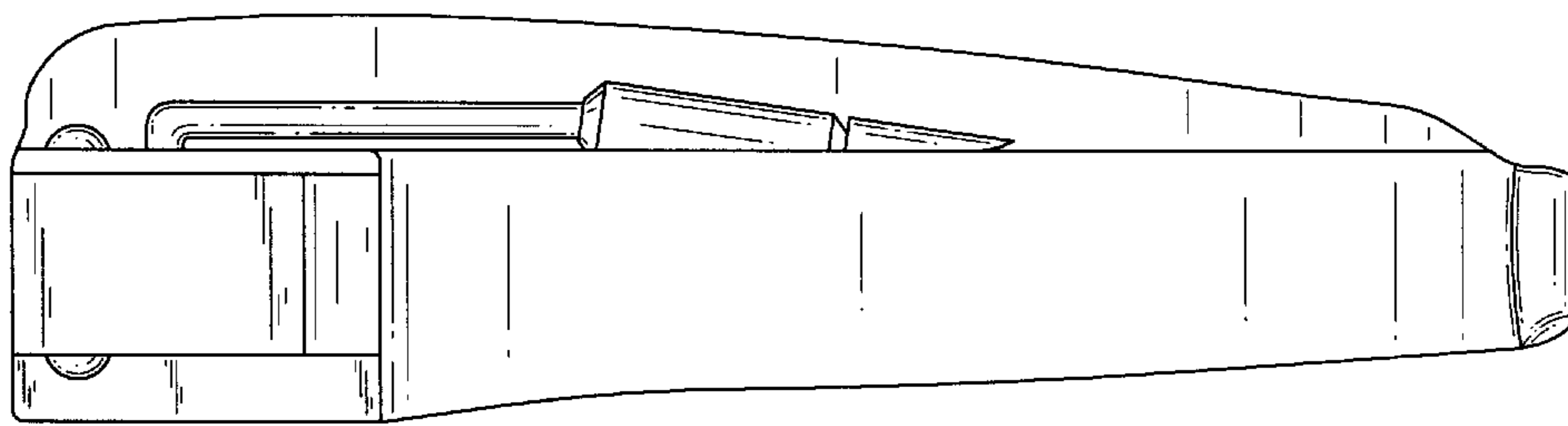


FIG. 2

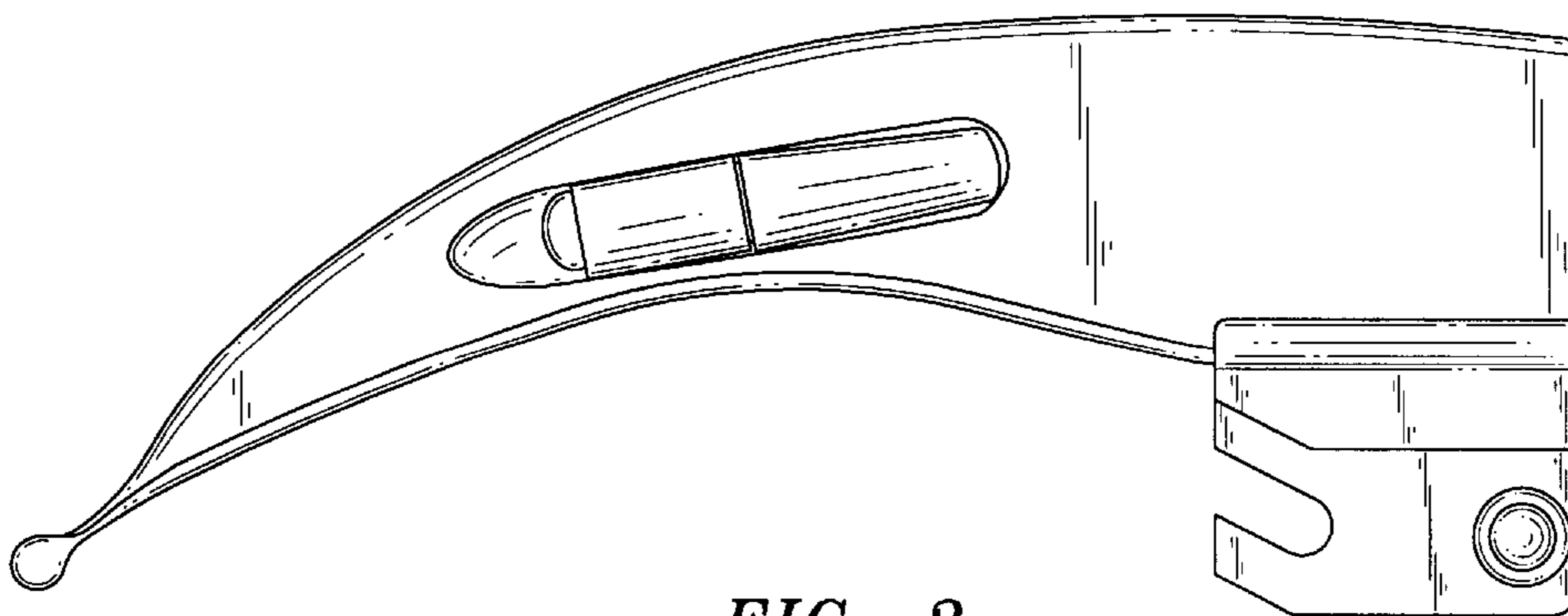


FIG. 3

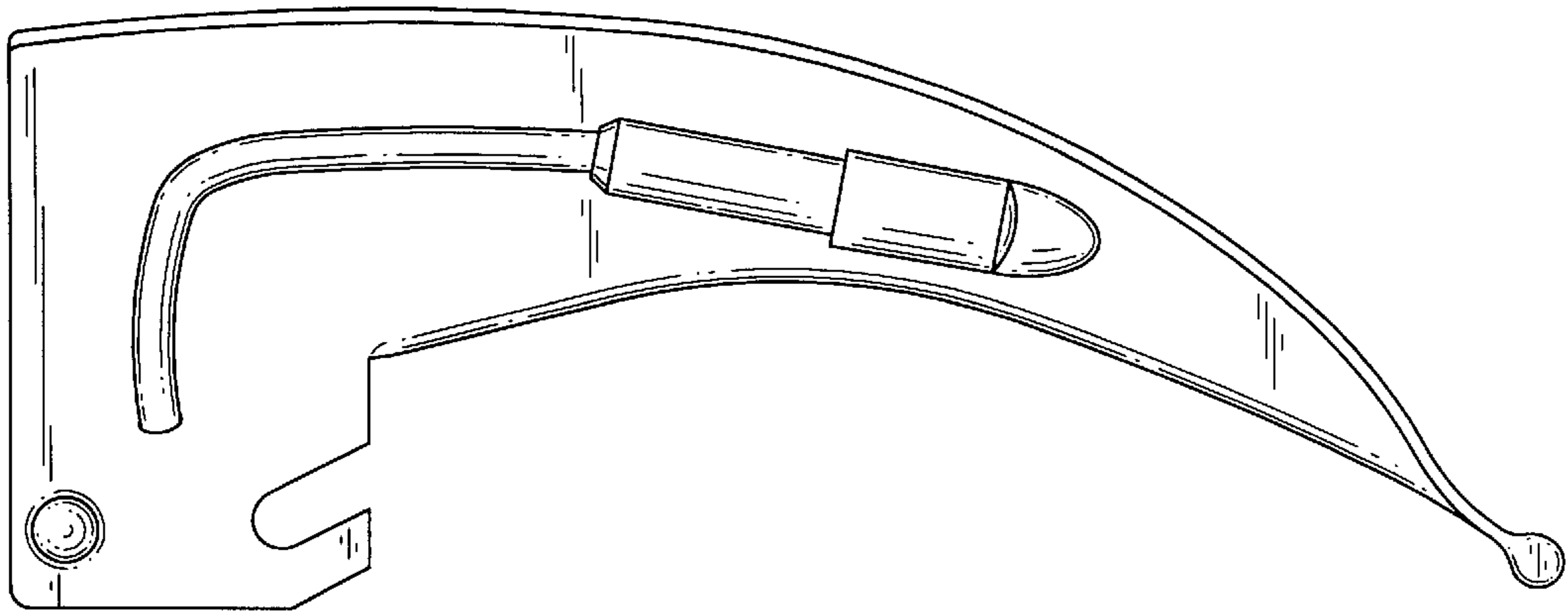


FIG. 4

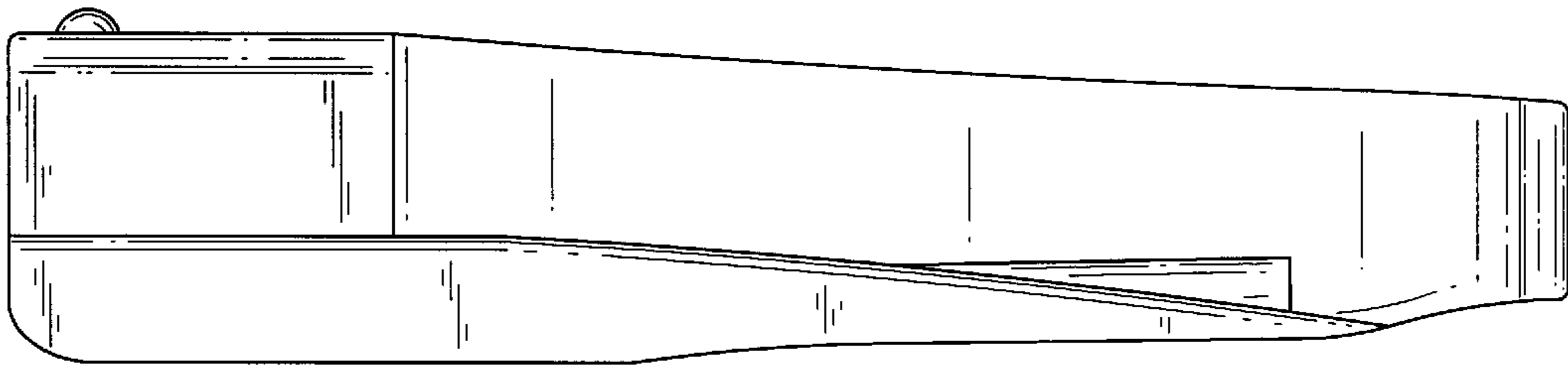


FIG. 5

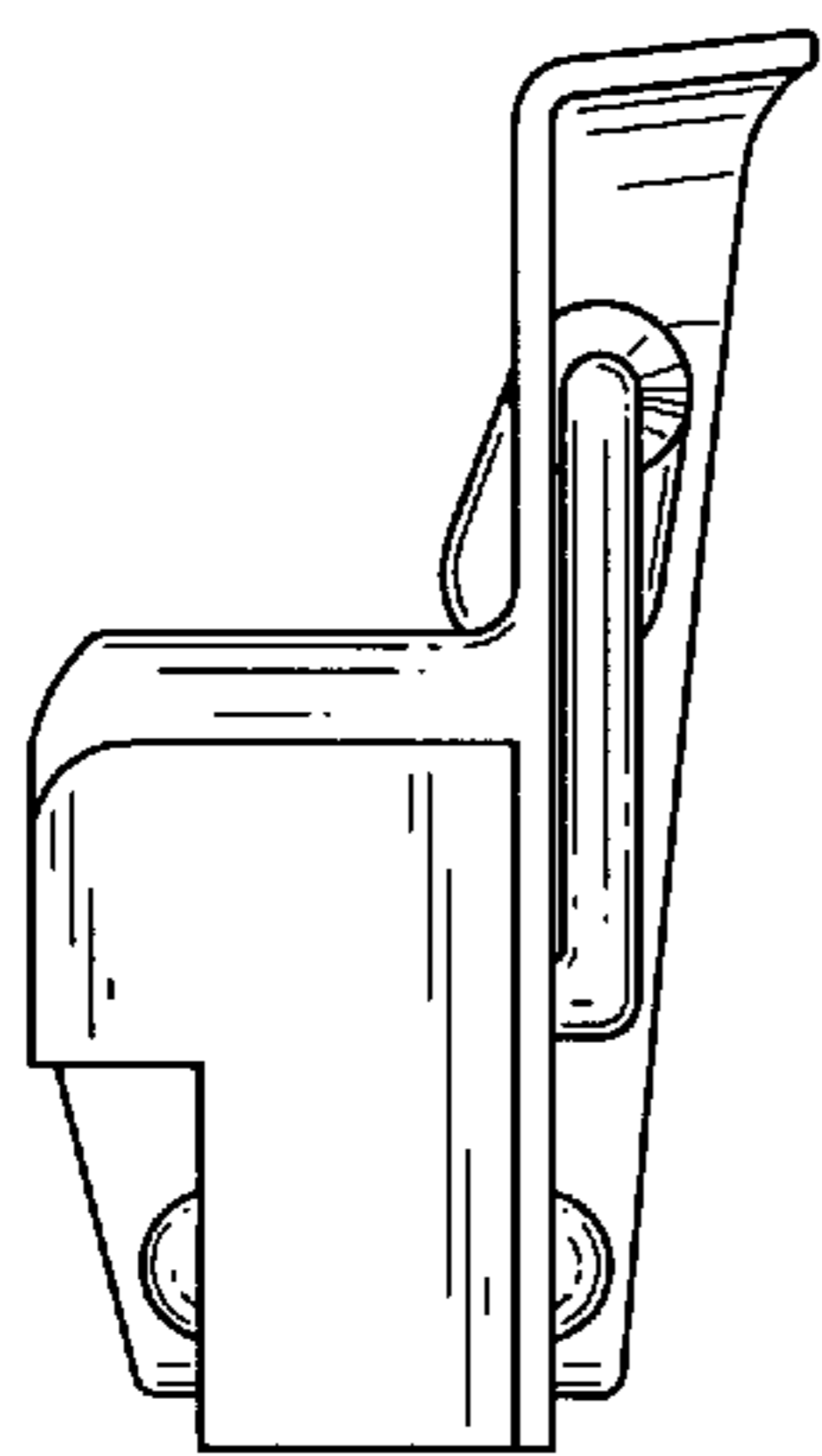


FIG. 6

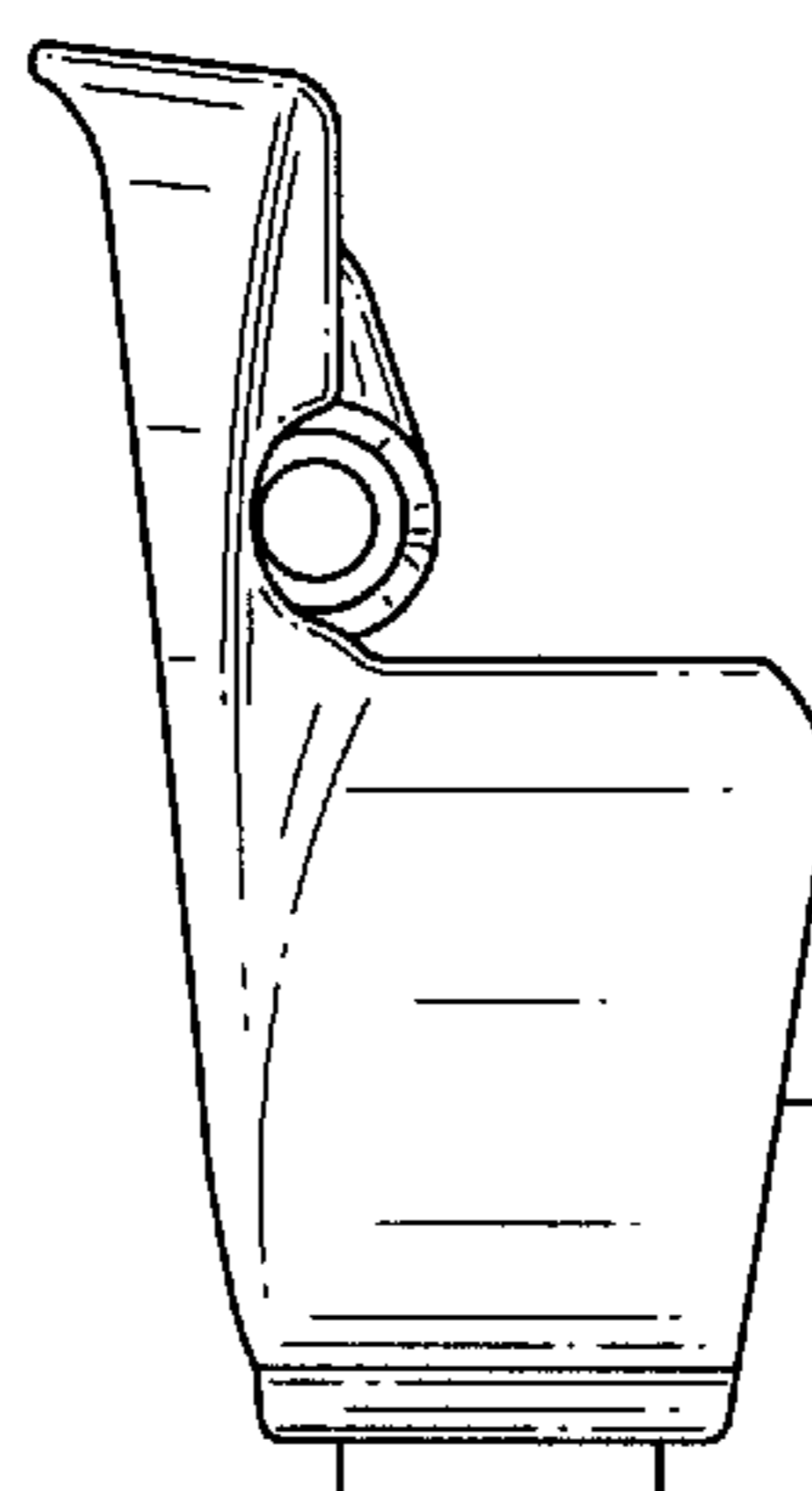


FIG. 7