



US00D491266S

(12) **United States Design Patent**
Cindrich et al.

(10) **Patent No.: US D491,266 S**

(45) **Date of Patent: ** *Jun. 8, 2004**

- (54) **INTEGRATED CATHETER**
- (75) Inventors: **Christopher Noel Cindrich**, South Jordan, UT (US); **Glade Harold Howell**, Sandy, UT (US)
- (73) Assignee: **Becton Dickinson and Company**, Franklin Lakes, NJ (US)
- (*) Notice: This patent is subject to a terminal disclaimer.
- (**) Term: **14 Years**
- (21) Appl. No.: **29/177,425**
- (22) Filed: **Mar. 10, 2003**
- (51) **LOC (7) Cl. 24-02**
- (52) **U.S. Cl. D24/130**
- (58) **Field of Search D24/130, 112, D24/146; 604/164.01, 164.07, 164.05, 164.04, 167.02, 179, 180, 177, 165.04, 171, 174**

D395,501 S	6/1998	Erskine et al.	D24/112
D408,530 S	4/1999	Eliassen	D24/112
D417,733 S	12/1999	Howell	D24/112
D424,194 S	5/2000	Holdaway	D24/112
6,086,564 A	7/2000	McLaughlin	604/179
D459,802 S	7/2002	Cindrich	D24/130
6,506,181 B2 *	1/2003	Meng et al.	604/164.07
2002/0177814 A1 *	11/2002	Meng et al.	604/164.07

* cited by examiner

Primary Examiner—Ian Simmons

(74) *Attorney, Agent, or Firm*—James J. Murtha

(57) **CLAIM**

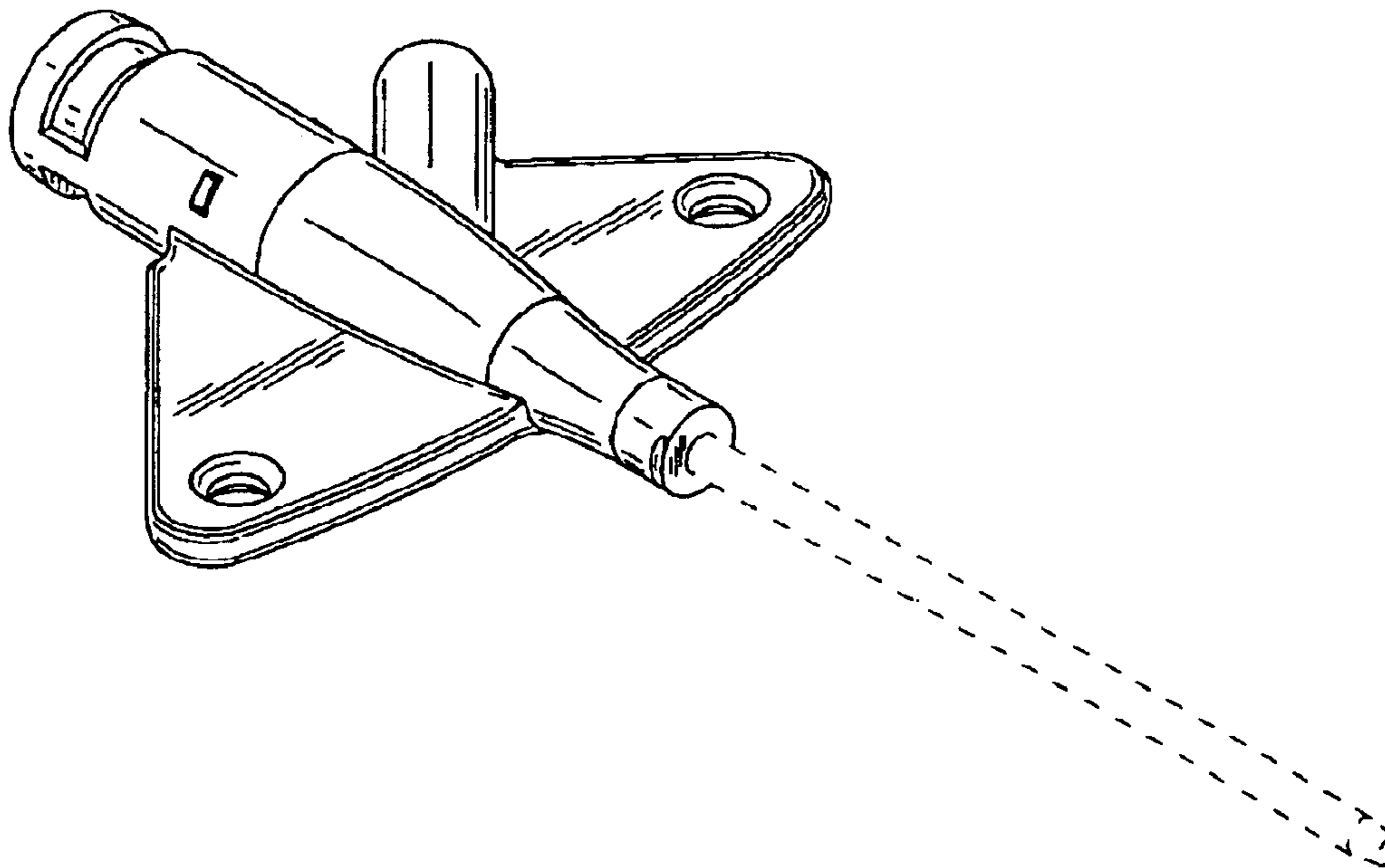
The ornamental design for an integrated catheter, as shown and described.

DESCRIPTION

FIG. 1 is a perspective view of an integrated catheter showing my design;
 FIG. 2 is a bottom perspective view of the catheter of FIG. 1;
 FIG. 3 is a front elevational view of the catheter of FIG. 1;
 FIG. 4 is a rear elevational view of the catheter of FIG. 1;
 FIG. 5 is a top plan view of the catheter of FIG. 1;
 FIG. 6 is a right-side elevational view of the catheter of FIG. 1;
 FIG. 7 is a left-side elevational view of the catheter of FIG. 1; and,
 FIG. 8 is a bottom plan view of the catheter of FIG. 1.
 The broken lines shown in FIGS. 1–8 are for illustrative purposes only and form no part of the claimed design.

1 Claim, 5 Drawing Sheets

- (56) **References Cited**
- U.S. PATENT DOCUMENTS**
- 4,326,519 A * 4/1982 D'Alo et al. 604/165.04
- 4,445,893 A 5/1984 Bodicky
- 4,496,348 A 1/1985 Genese et al. 604/167.02
- 4,973,313 A 11/1990 Katsaros et al. 604/165
- 5,254,097 A * 10/1993 Schock et al. 604/167.04
- D378,405 S 3/1997 Musgrave et al. D24/112
- 5,676,656 A 10/1997 Brimhall
- 5,697,914 A 12/1997 Brimhall



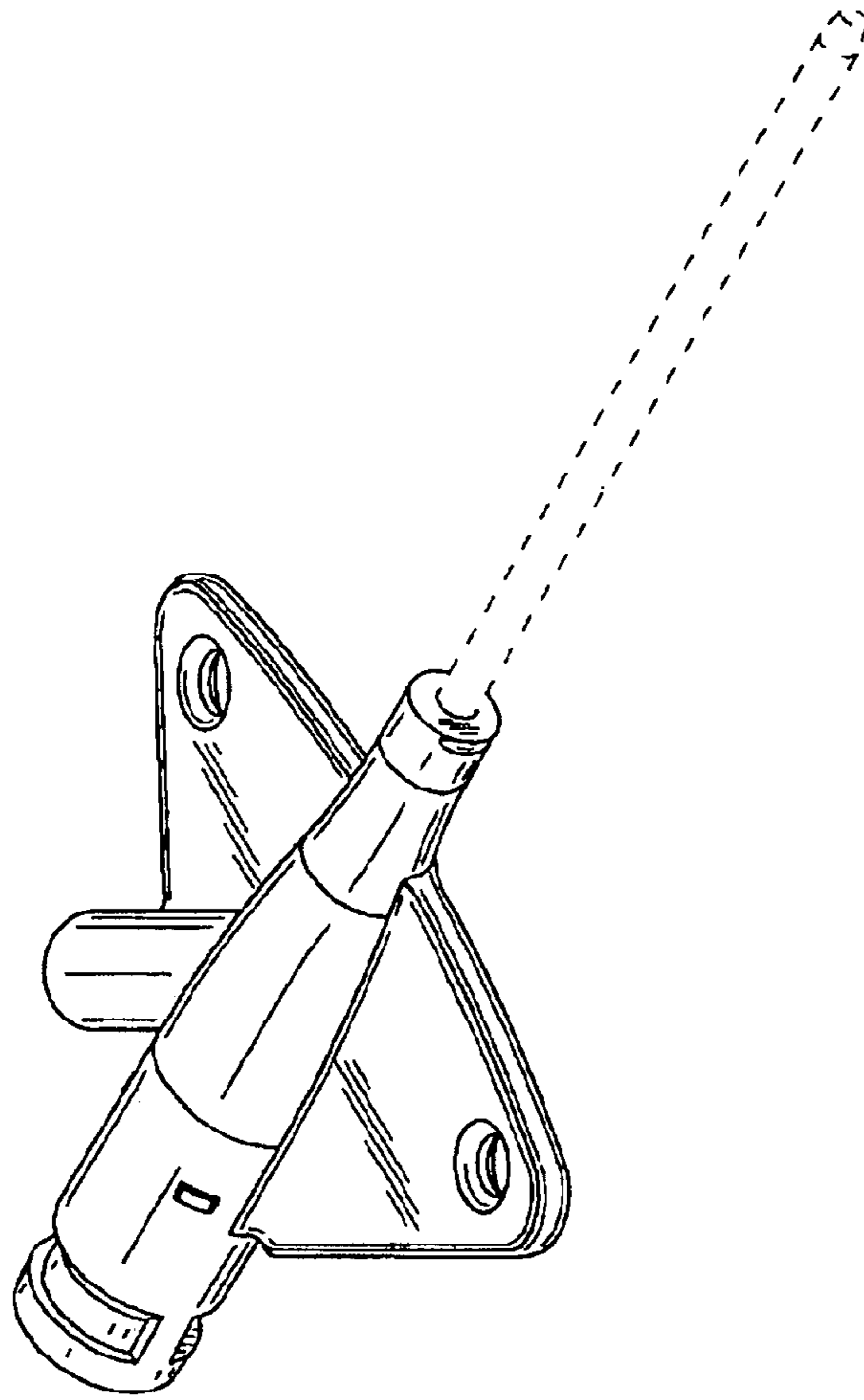


FIG. 1

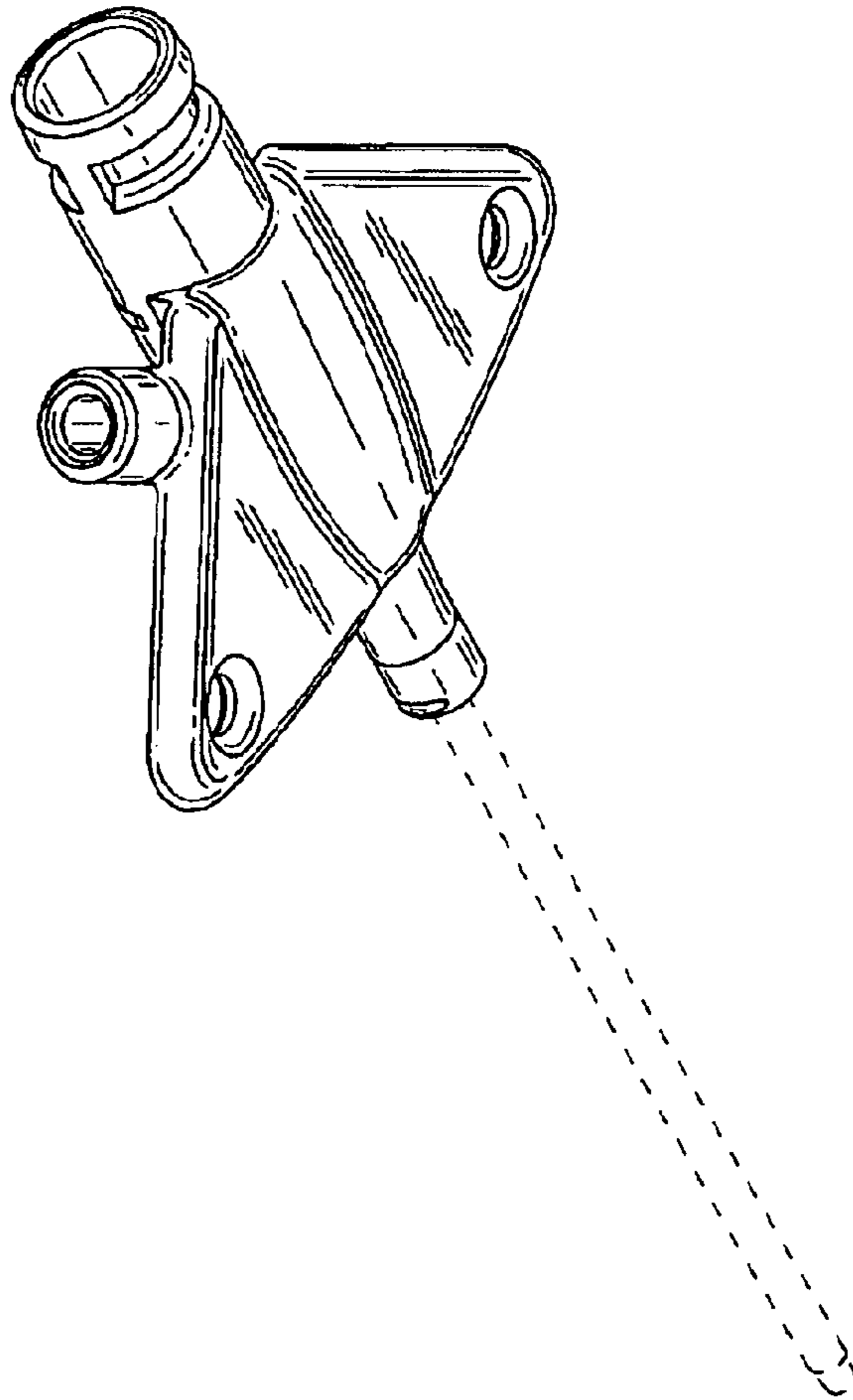


FIG. 2

FIG. 4

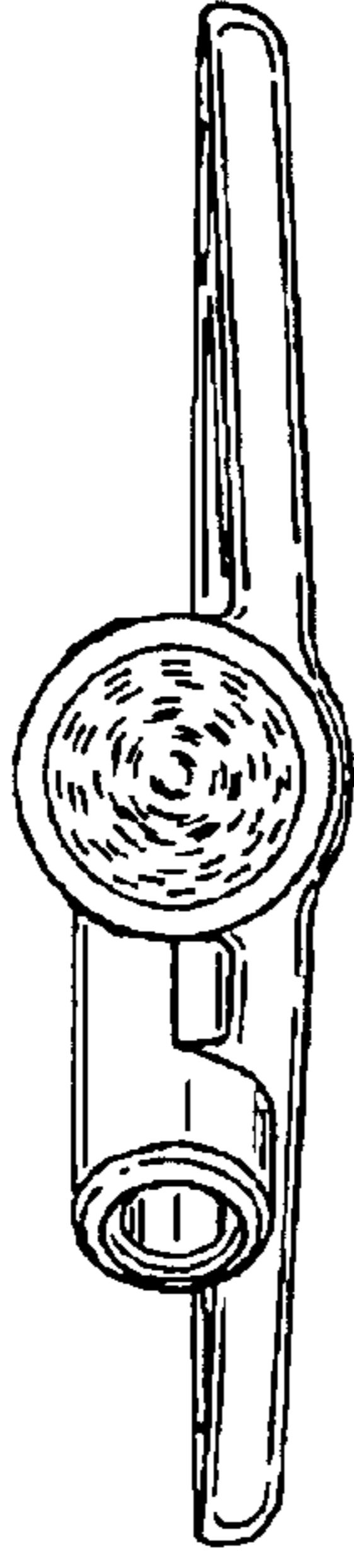
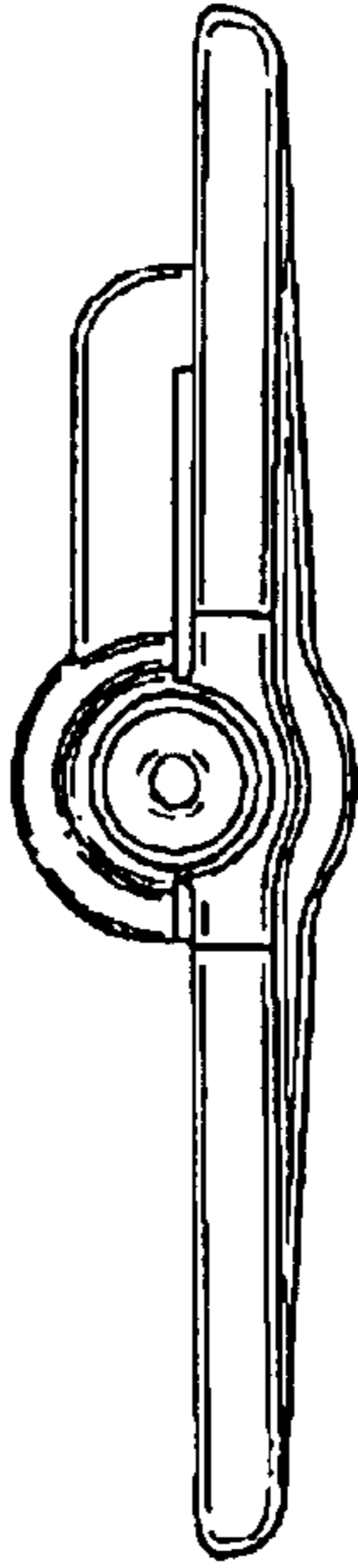


FIG. 3



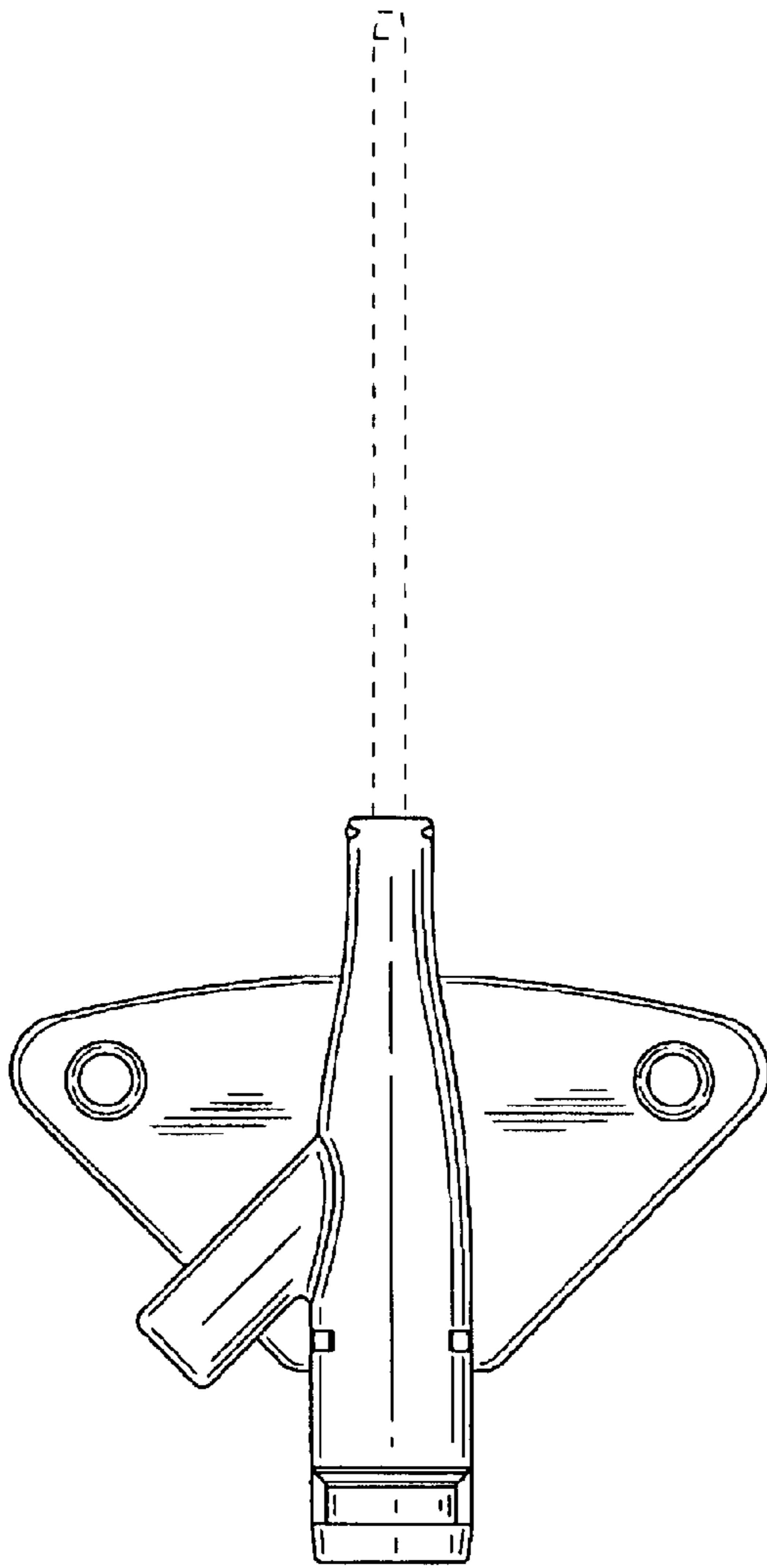


FIG. 5

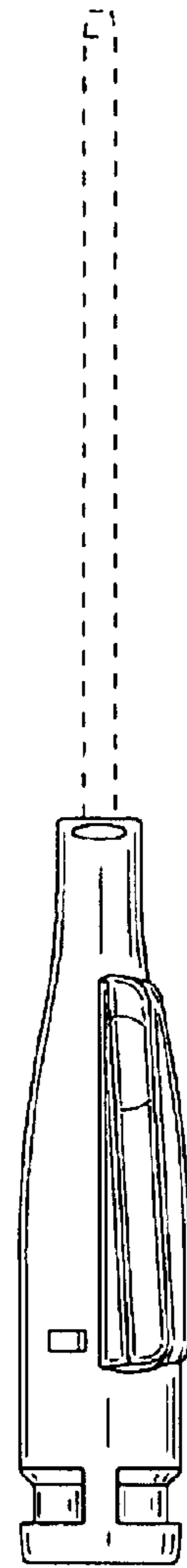


FIG. 6

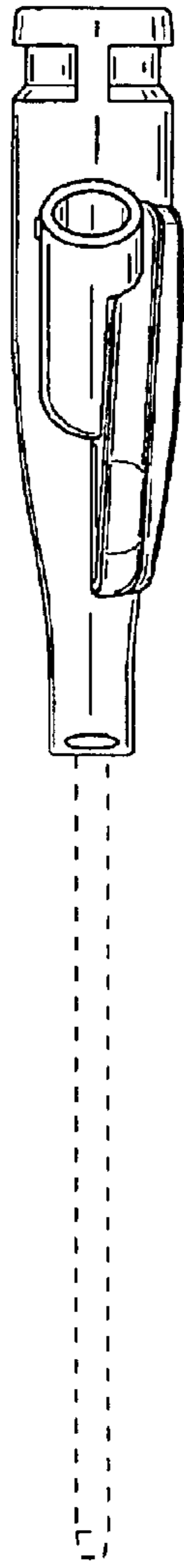


FIG. 7

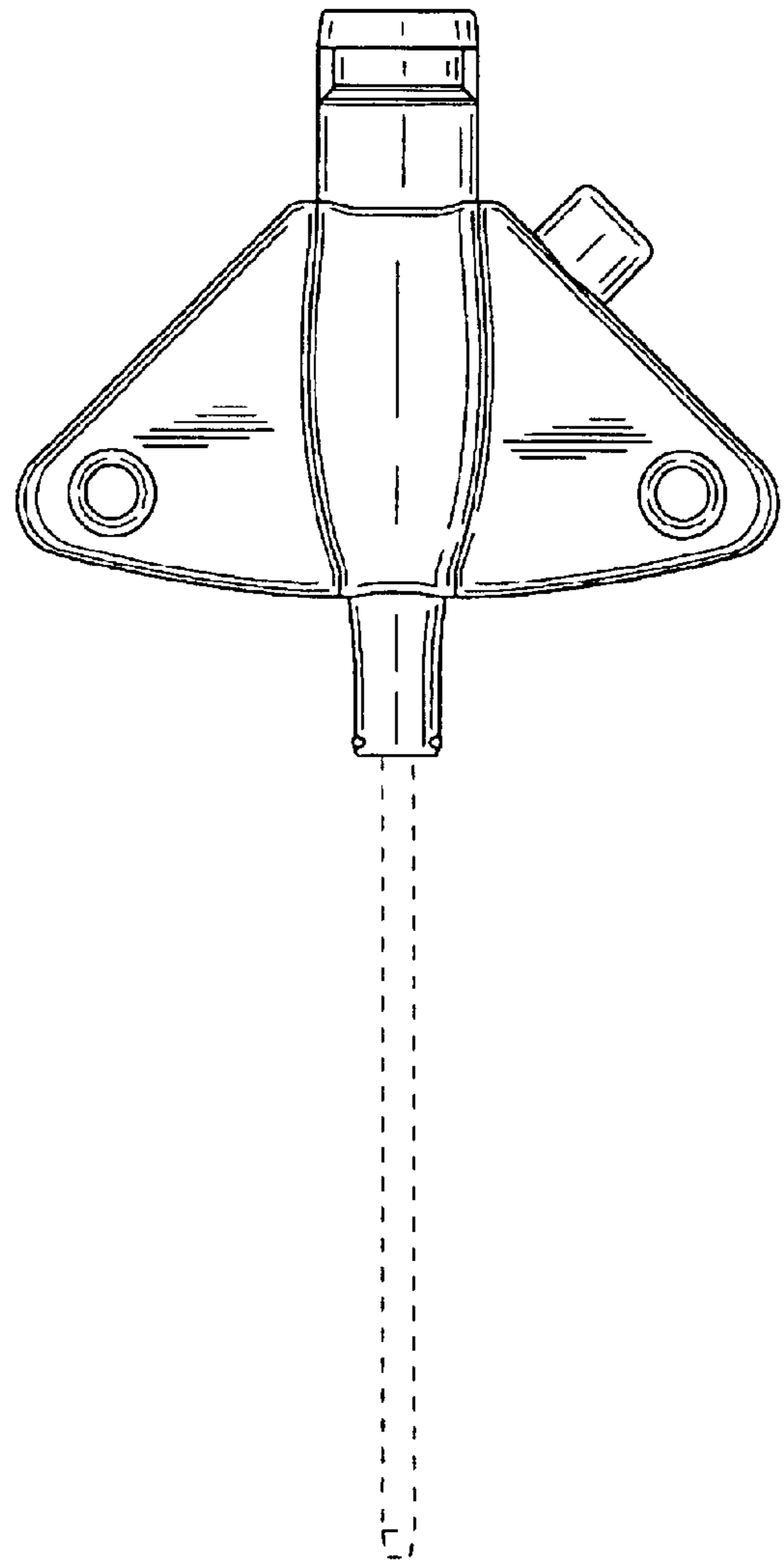


FIG. 8