



US00D491265S

(12) **United States Design Patent**
Schweikert

(10) **Patent No.:** **US D491,265 S**

(45) **Date of Patent:** **** Jun. 8, 2004**

(54) **CATHETER INFORMATION RING**

(75) Inventor: **Timothy Schweikert**, Levittown, PA
(US)

(73) Assignee: **Medical Components, Inc.**,
Harleysville, PA (US)

(**) Term: **14 Years**

(21) Appl. No.: **29/187,323**

(22) Filed: **Jul. 30, 2003**

Related U.S. Application Data

(62) Division of application No. 29/168,639, filed on Oct. 4,
2002.

(51) **LOC (7) Cl.** **24-02**

(52) **U.S. Cl.** **D24/128**

(58) **Field of Search** D24/129, 127,
D24/128, 133, 143; D20/22; 40/299.01,
666, 316

(56) **References Cited**

U.S. PATENT DOCUMENTS

5,203,056 A 4/1993 Funk et al.

D381,367 S * 7/1997 Rashman D20/22
5,971,436 A * 10/1999 Cox 40/316
5,974,708 A * 11/1999 Webb et al. 40/316
2003/0066218 A1 * 4/2003 Schweikert 40/316
2003/0093932 A1 * 5/2003 Battaglia 40/299.01

* cited by examiner

Primary Examiner—Ian Simmons

(74) *Attorney, Agent, or Firm*—Monte & McGraw, P.C.;
Joseph E. Maenner

(57) **CLAIM**

The ornamental design for a catheter information ring, as
shown and described.

DESCRIPTION

FIG. 1 is a perspective view of a catheter information ring
showing my new design.

FIG. 2 is a front elevational view thereof.

FIG. 3 is a top plan view thereof.

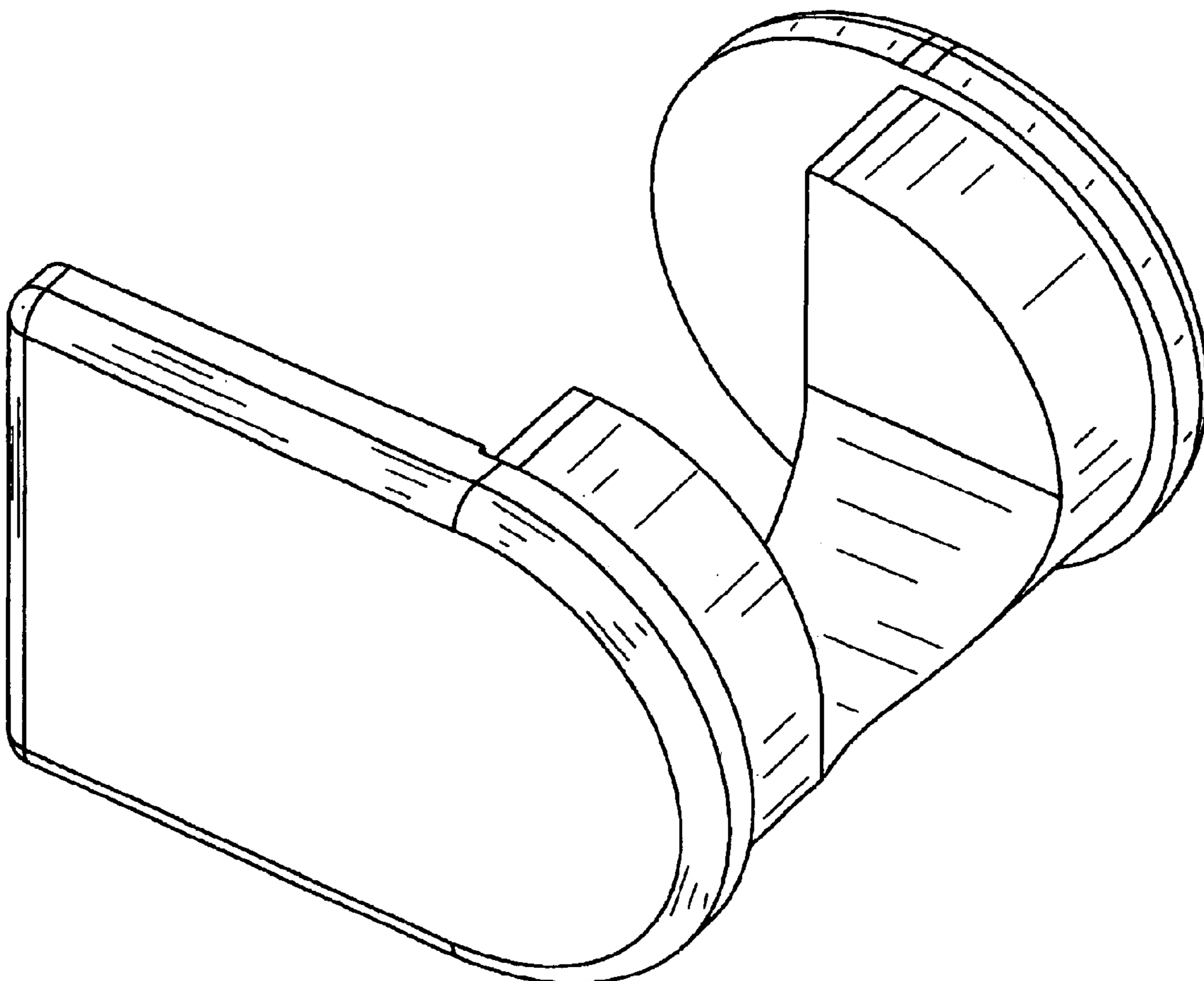
FIG. 4 is a rear elevational view thereof.

FIG. 5 is a bottom plan view thereof.

FIG. 6 is a right side elevational view thereof; and,

FIG. 7 is a left side elevational view thereof.

1 Claim, 2 Drawing Sheets



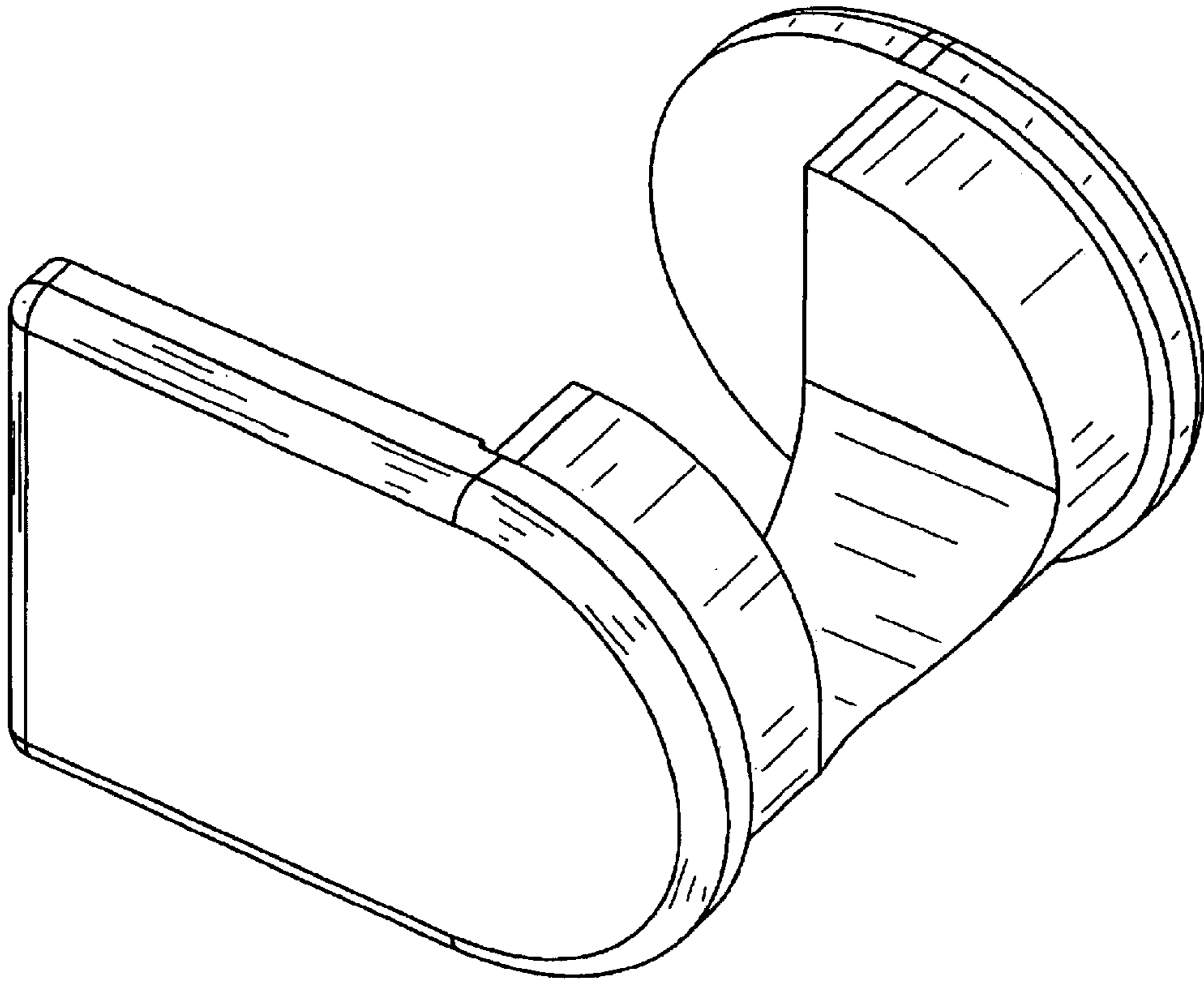


FIGURE 1

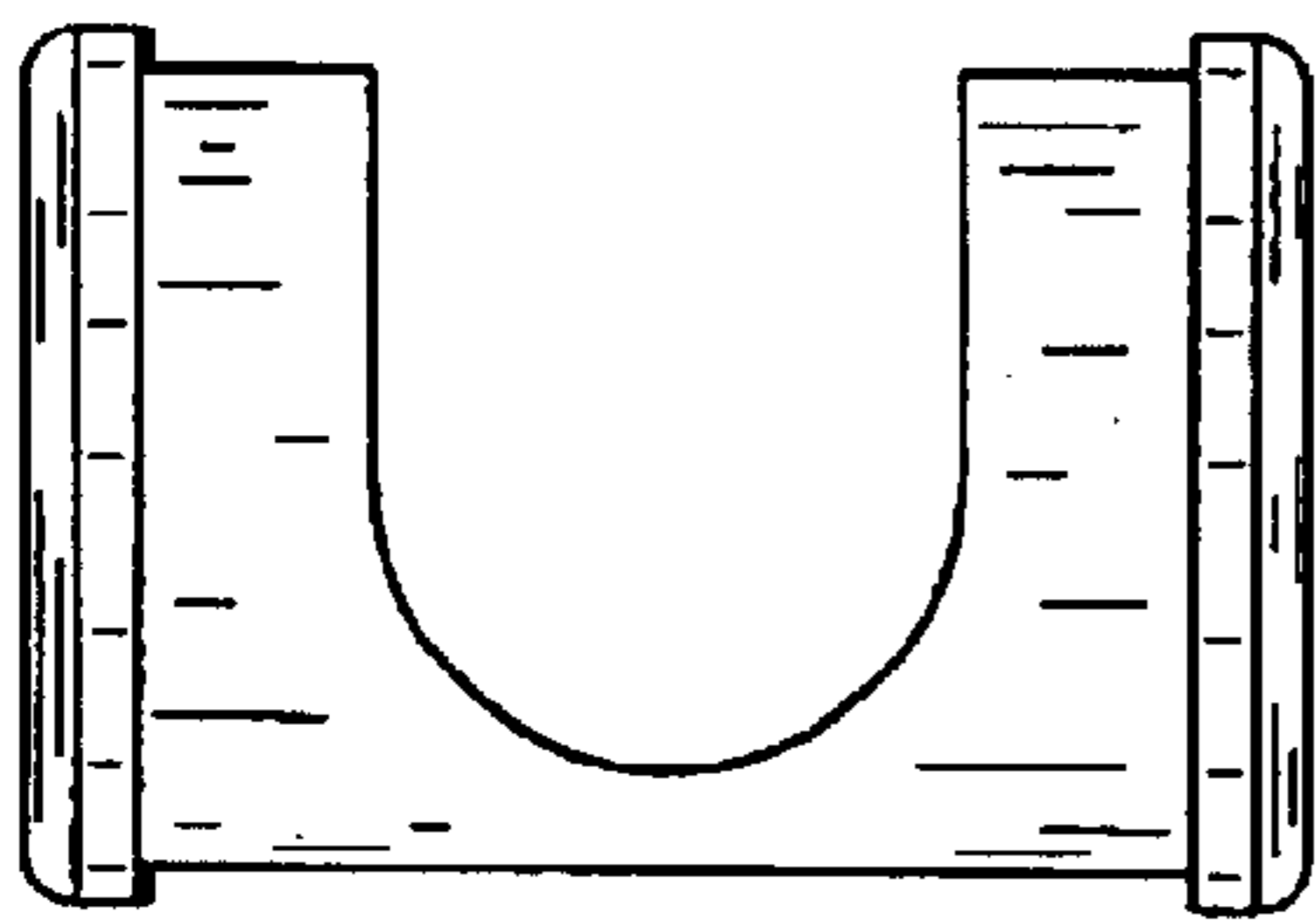


FIGURE 2

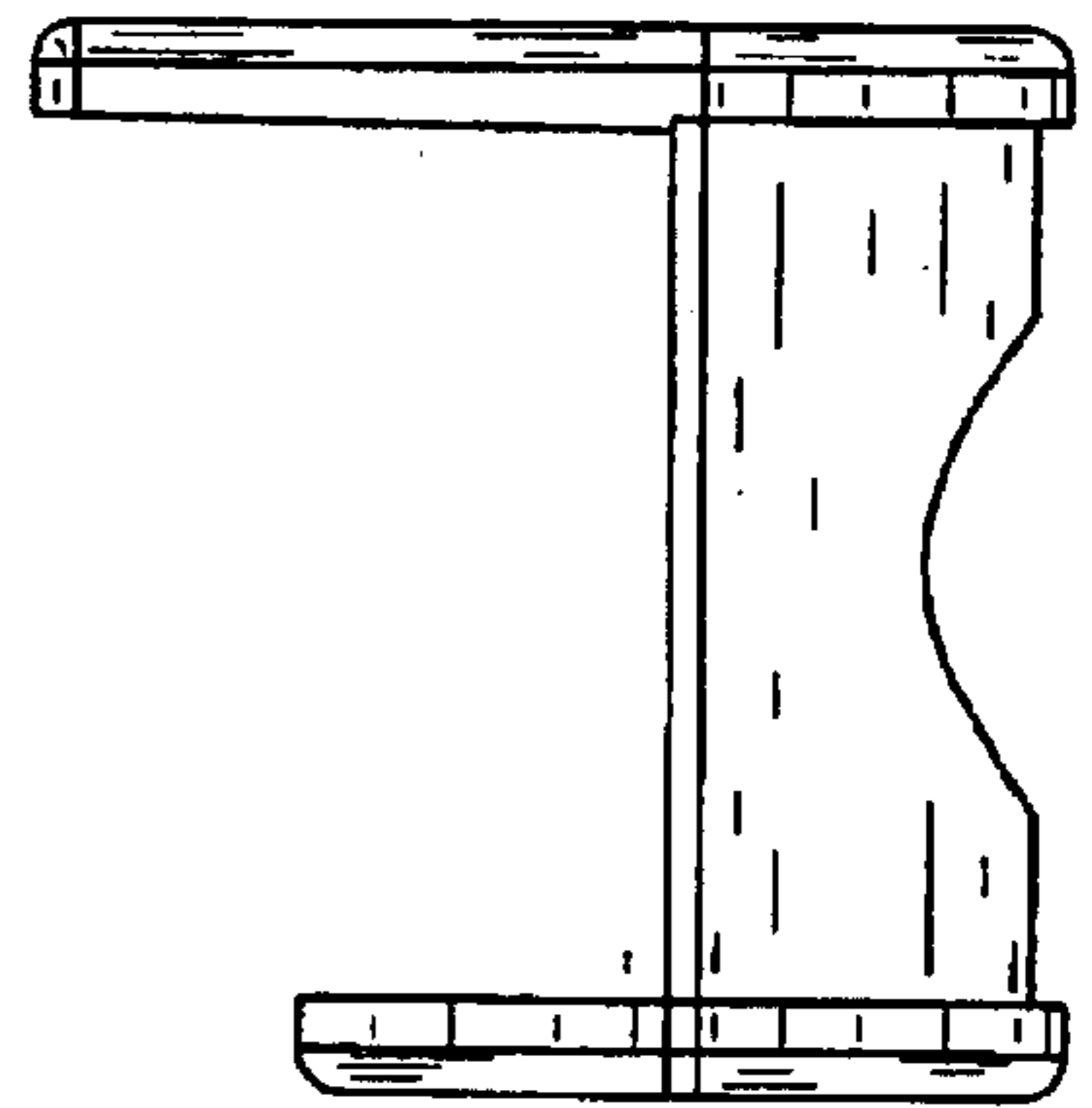


FIGURE 3

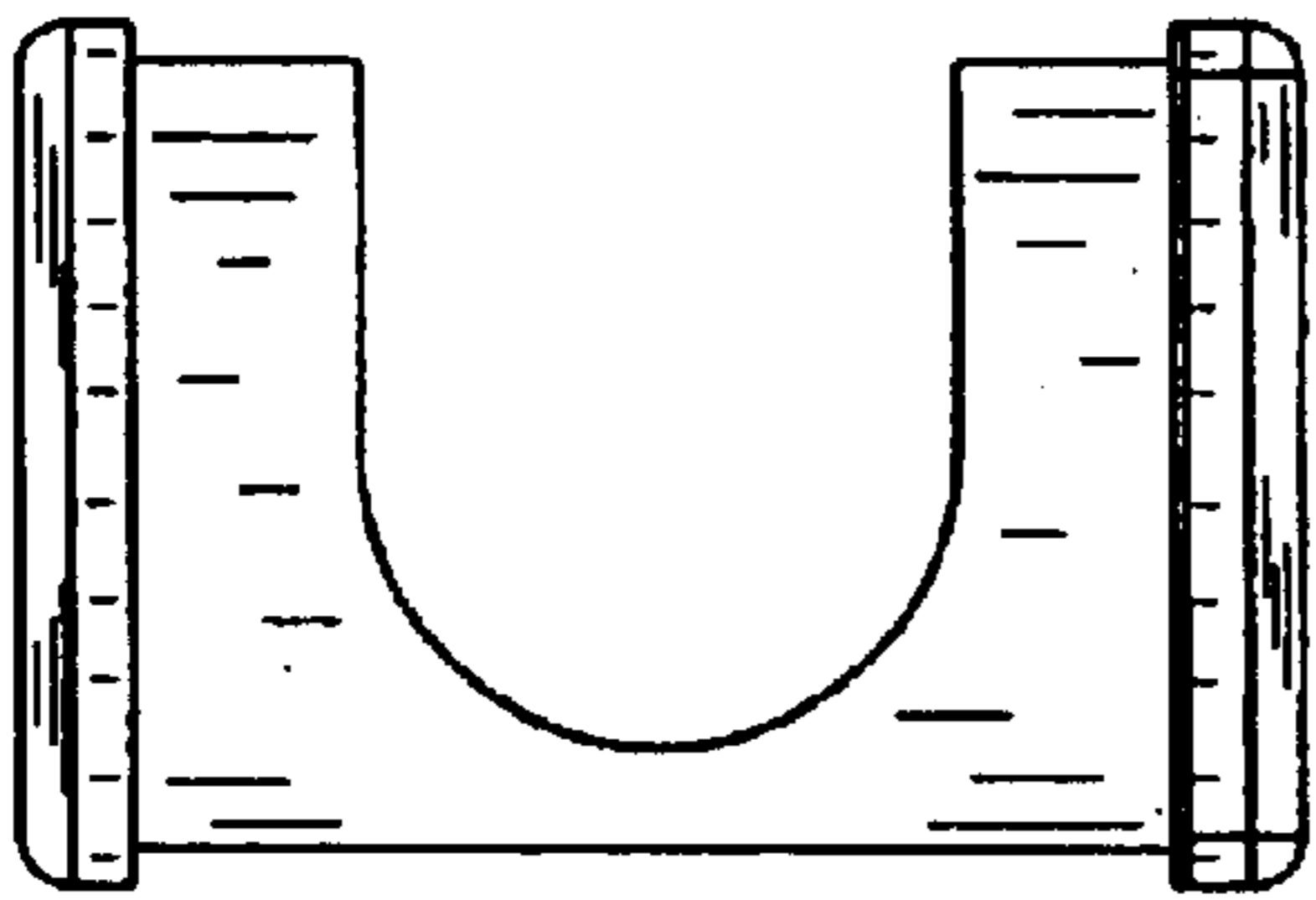


FIGURE 4

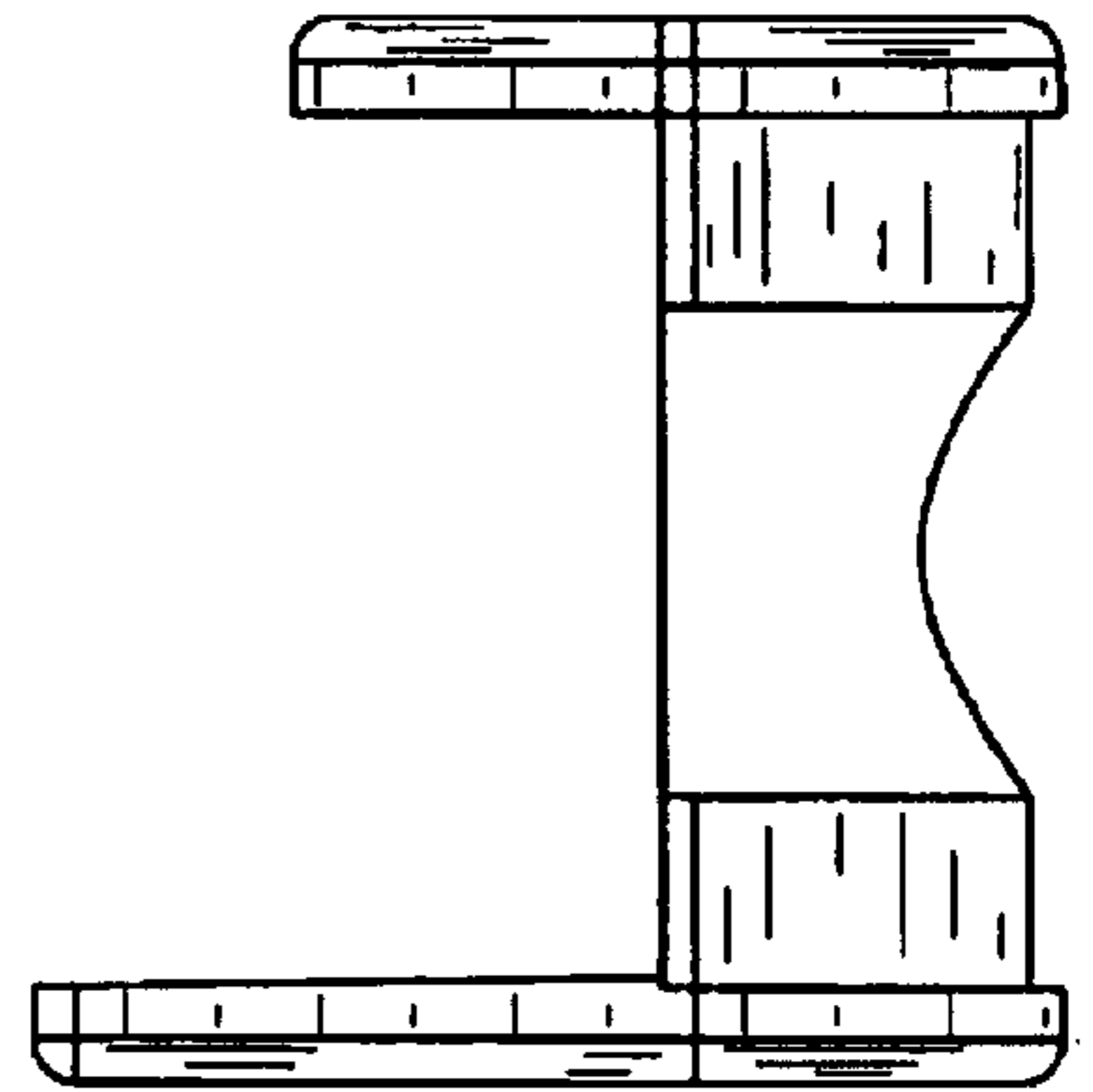


FIGURE 5

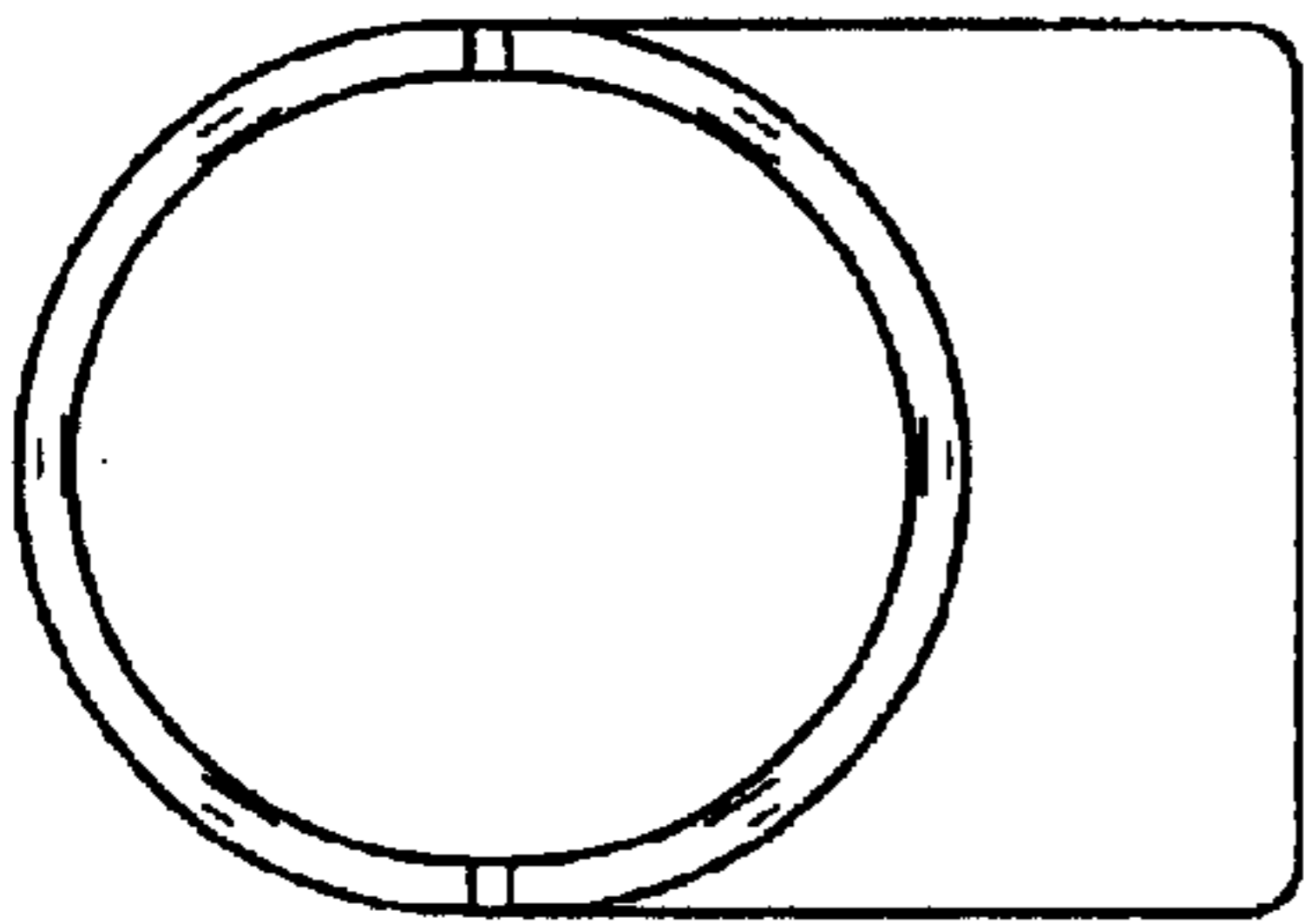


FIGURE 6

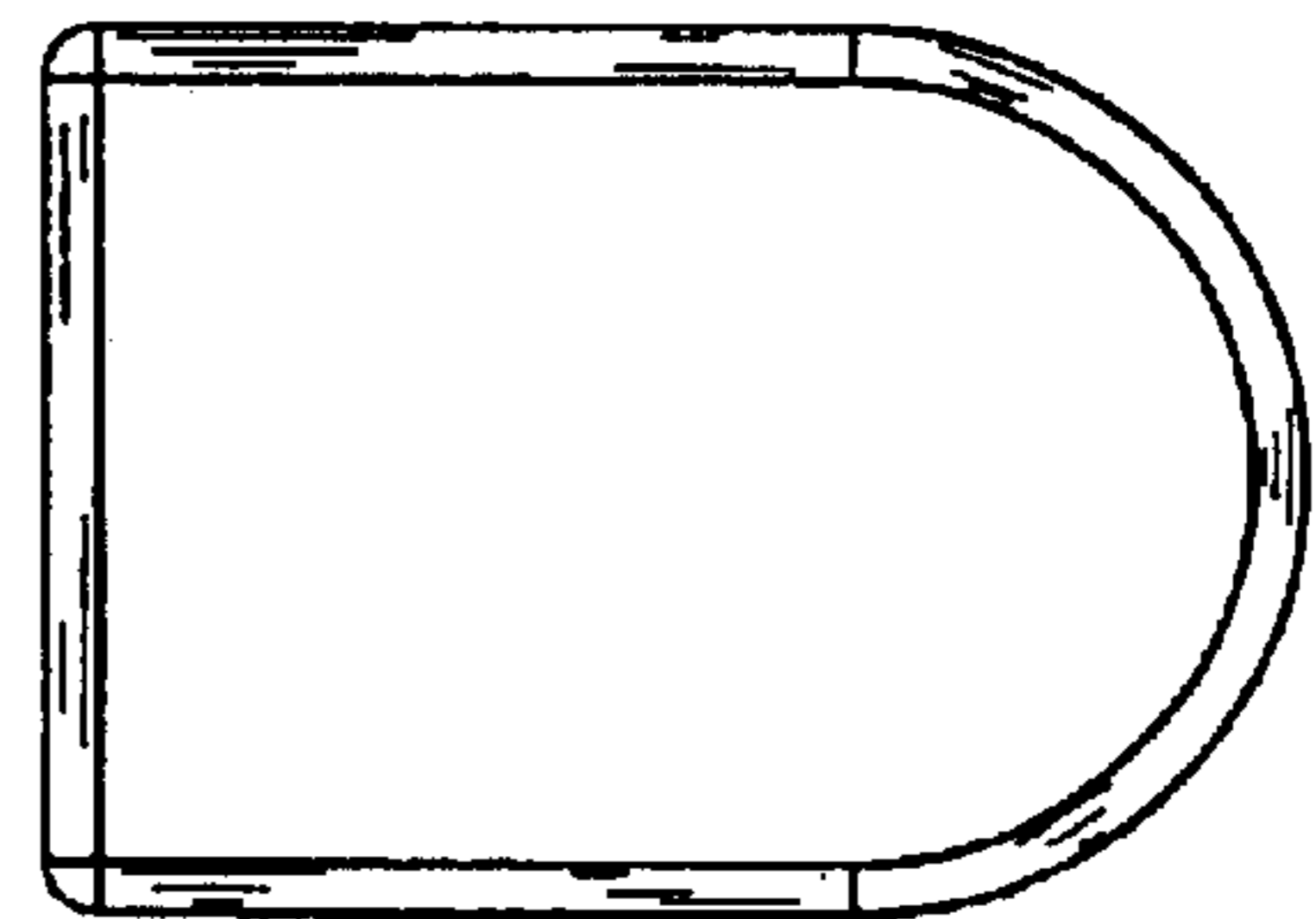


FIGURE 7