



US00D491260S

(12) **United States Design Patent**  
**Luo**

(10) **Patent No.:** **US D491,260 S**

(45) **Date of Patent:** **\*\* Jun. 8, 2004**

(54) **HEAT DISSIPATOR**

(76) Inventor: **Chin-Kuang Luo**, 5F, No. 56,  
Min-Chuan Rd., Chung Dist. Taichung  
City (TW)

(\*\*) Term: **14 Years**

(21) Appl. No.: **29/177,739**

(22) Filed: **Mar. 14, 2003**

(30) **Foreign Application Priority Data**

Jan. 16, 2003 (TW) ..... 92300301

(51) **LOC (7) Cl.** ..... **23-04**

(52) **U.S. Cl.** ..... **D23/411**

(58) **Field of Search** ..... D23/370, 379,  
D23/411; 415/176, 177, 178, 211.2; 361/697,  
695; 165/80.3, 121; D14/114

(56) **References Cited**

**U.S. PATENT DOCUMENTS**

5,335,722 A \* 8/1994 Wu ..... 165/122

6,377,458 B1 \* 4/2002 Morris et al. .... 361/699

6,525,939 B2 \* 2/2003 Liang et al. .... 361/697

6,587,341 B1 \* 7/2003 Wei ..... 361/695

\* cited by examiner

*Primary Examiner*—Lisa Lichtenstein

(74) *Attorney, Agent, or Firm*—Trop, Pruner & Hu, P.C.

(57) **CLAIM**

The ornamental design for a heat dissipator, as shown and described.

**DESCRIPTION**

FIG. 1 is a perspective view of heat dissipator showing the new design;

FIG. 2 is a front elevational view thereof;

FIG. 3 is a rear elevational view thereof;

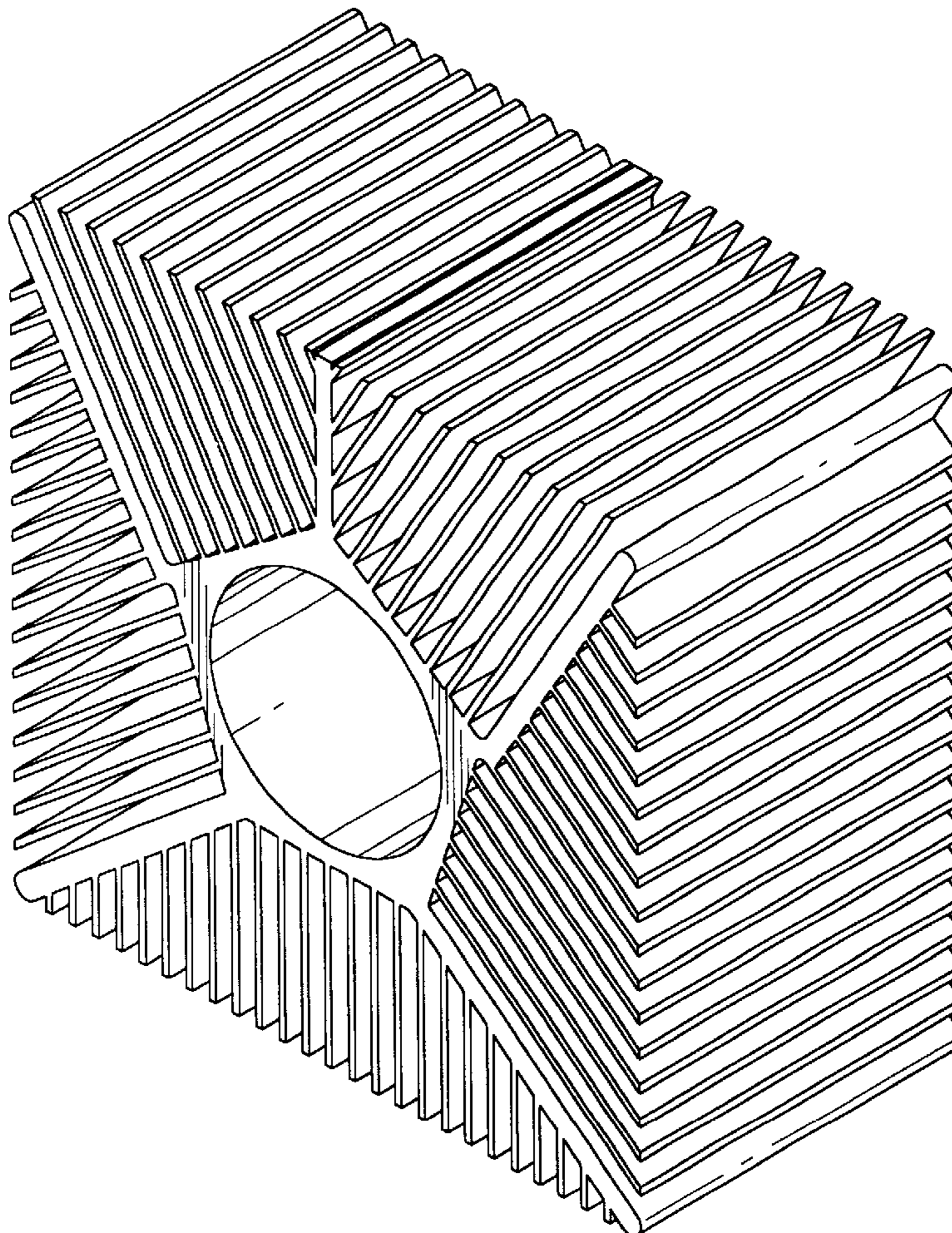
FIG. 4 is a left side elevational view thereof;

FIG. 5 is a right side elevational view thereof;

FIG. 6 is a top plan view thereof; and,

FIG. 7 is a bottom plan view thereof.

**1 Claim, 4 Drawing Sheets**



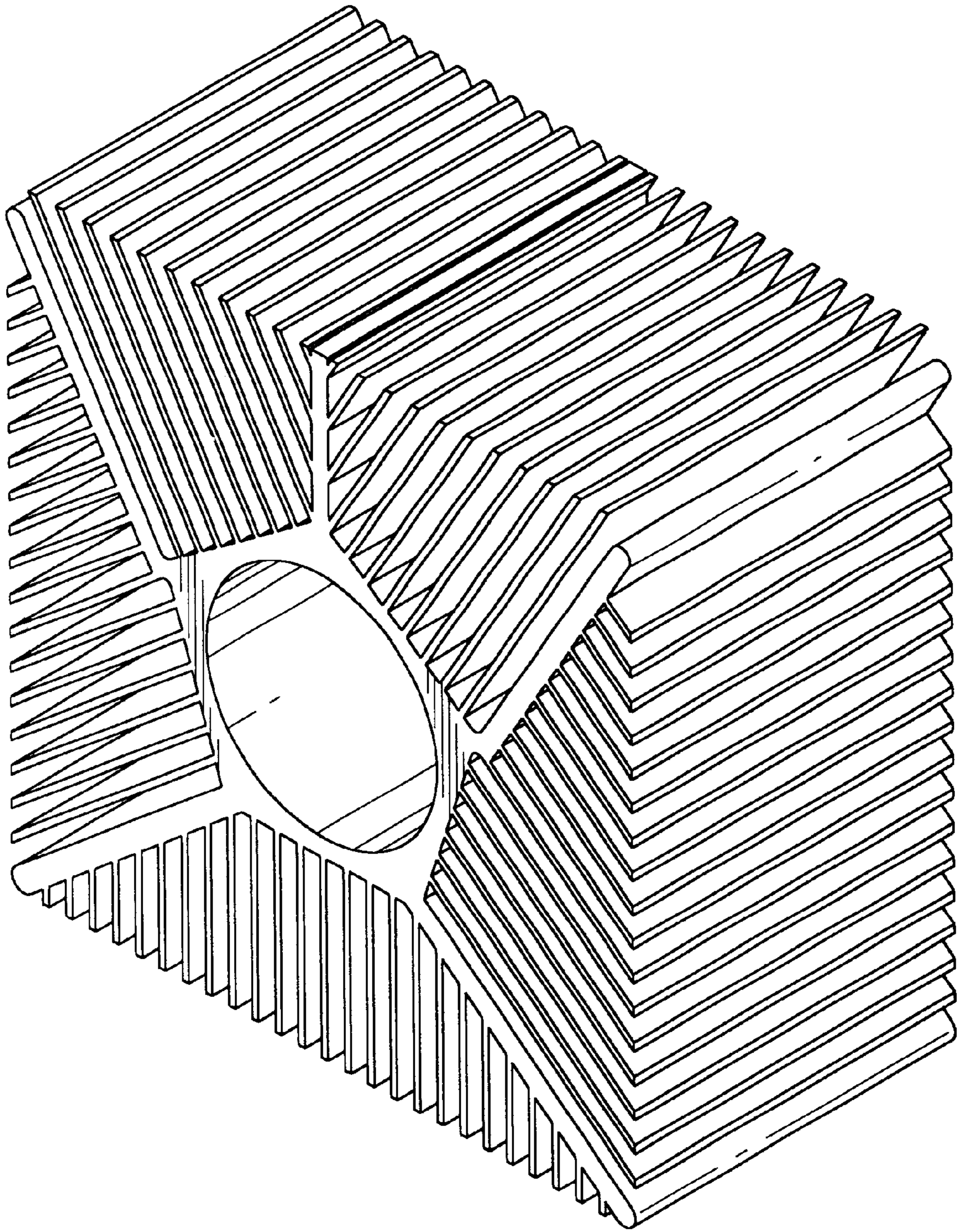


FIG. 1

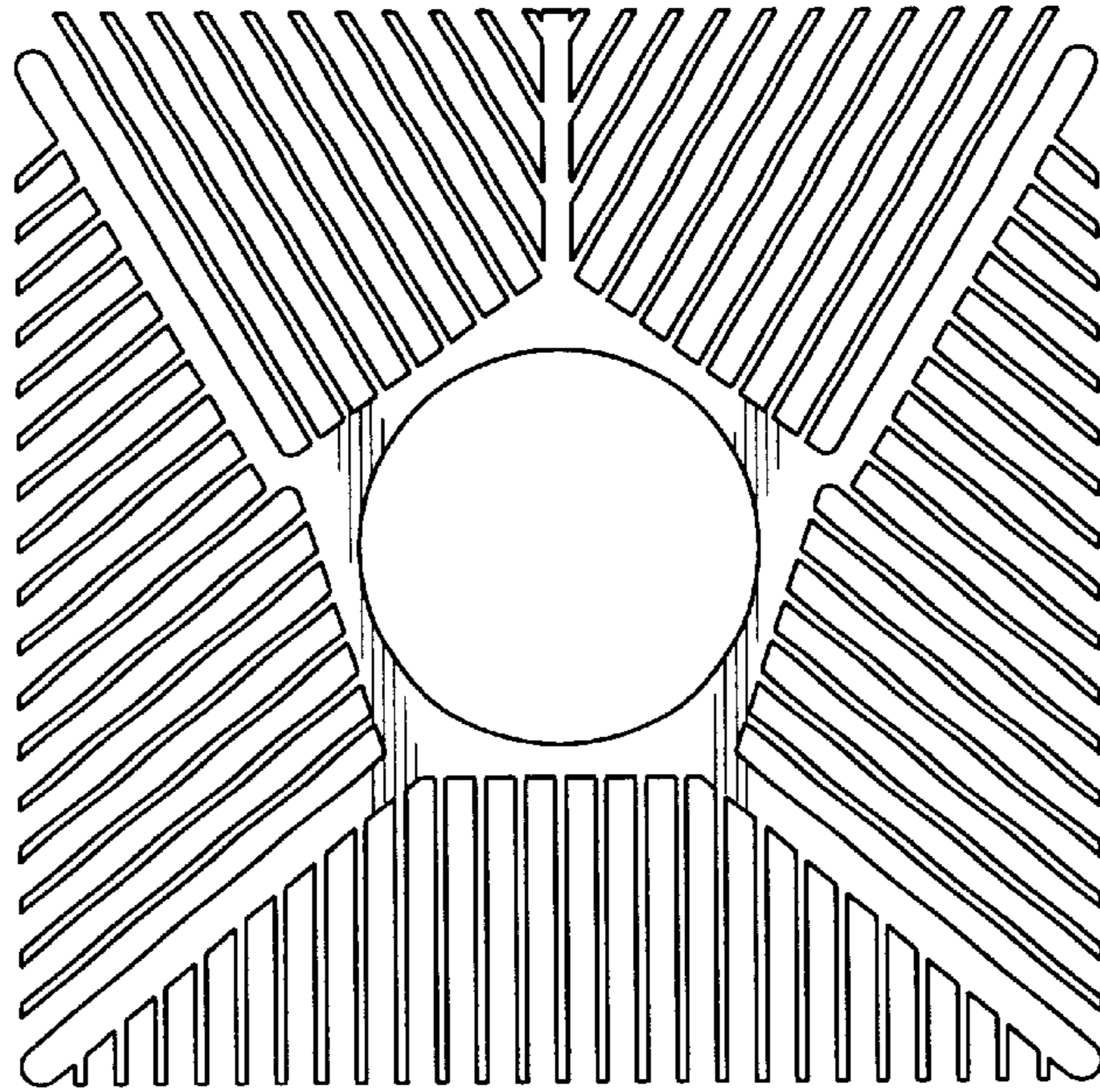


FIG. 2

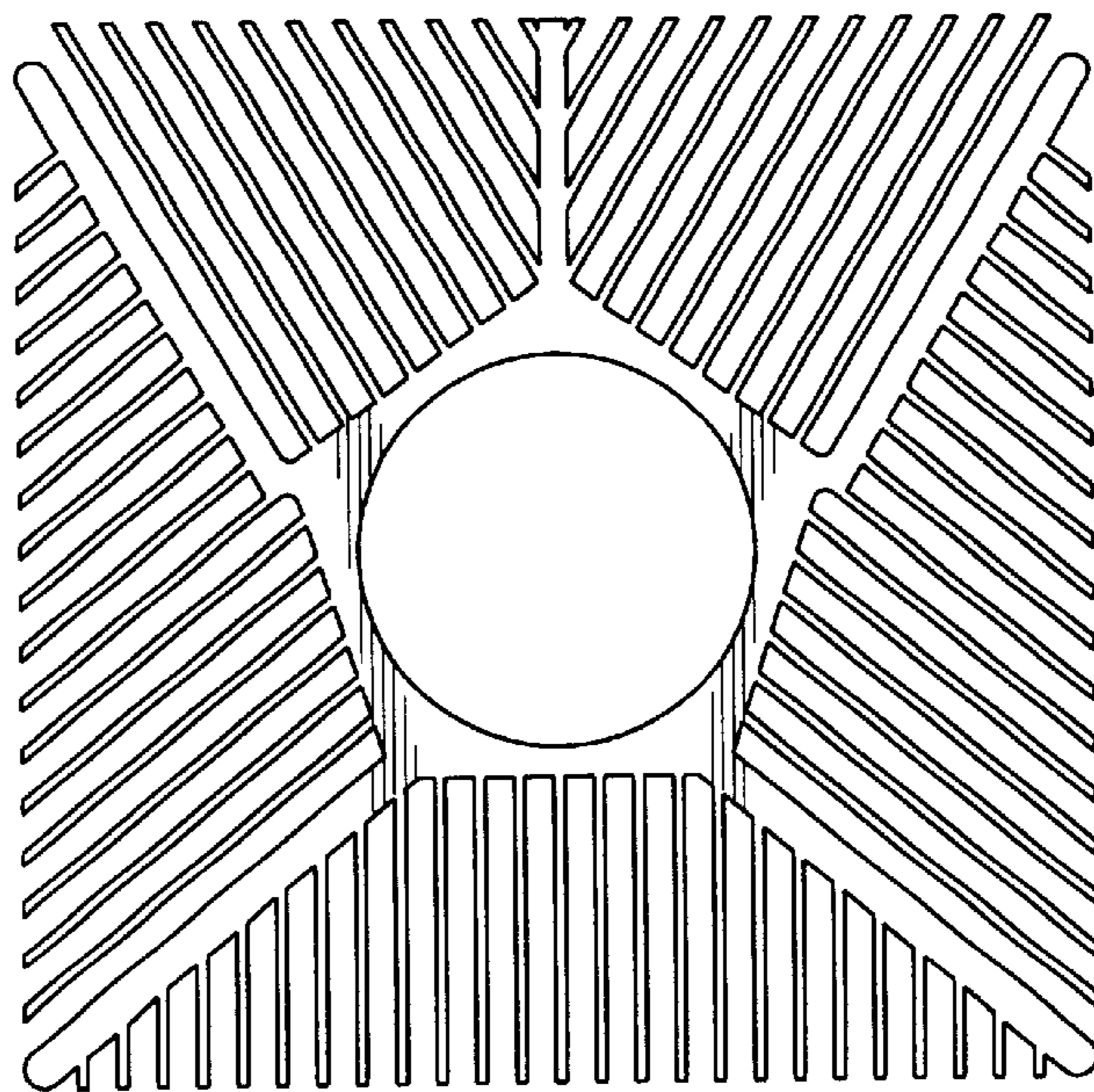


FIG. 3

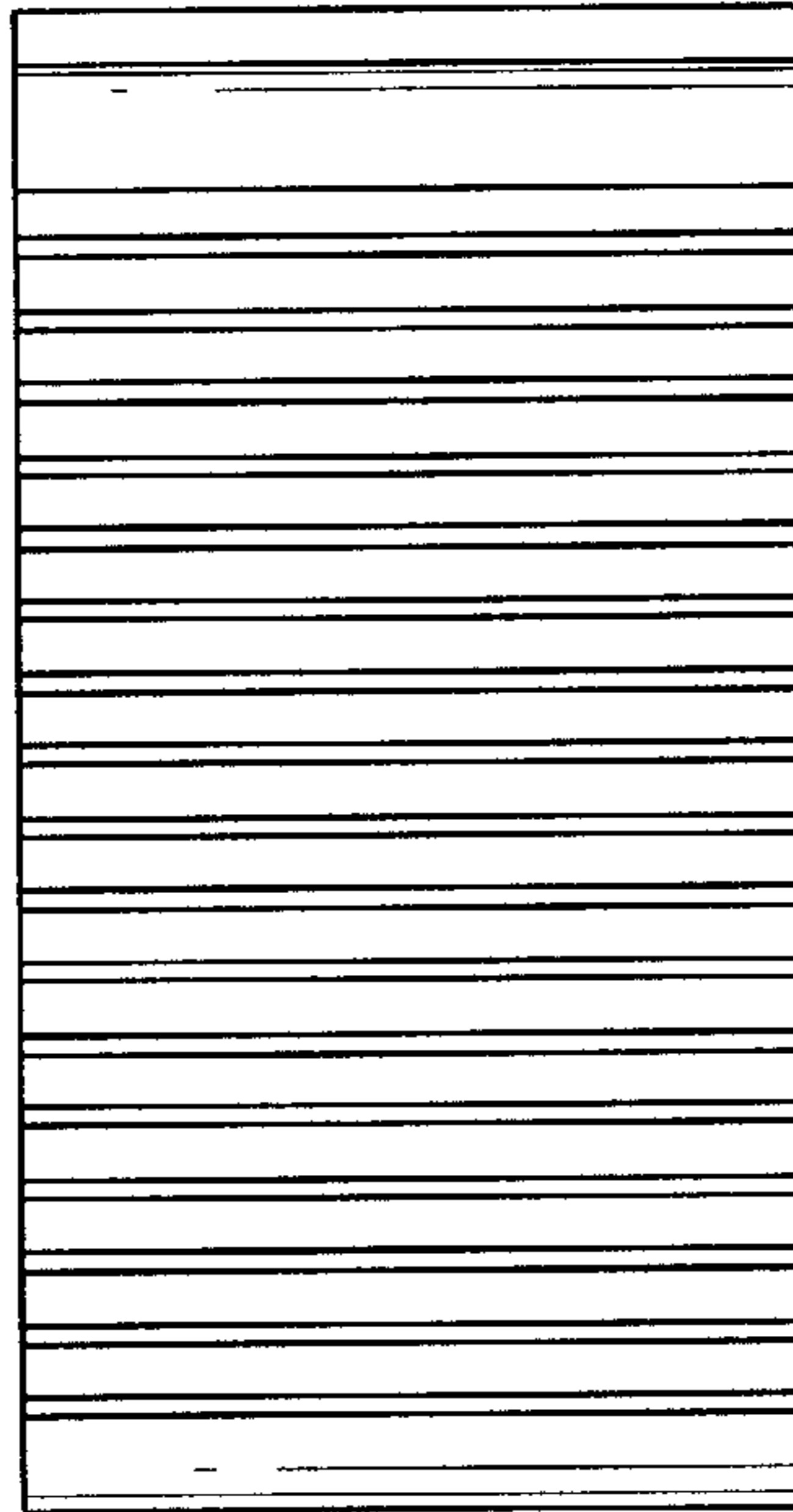


FIG. 4

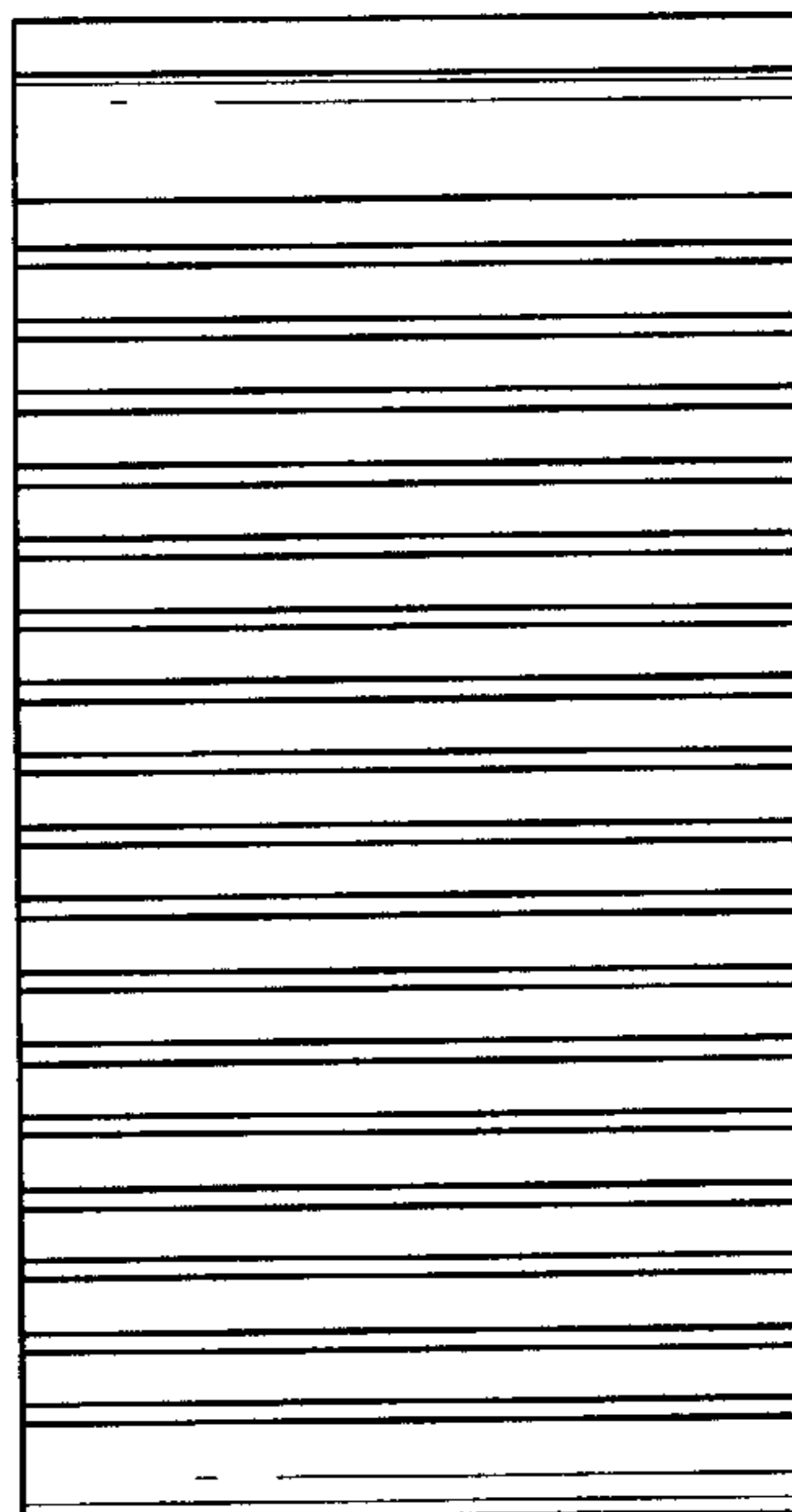


FIG. 5

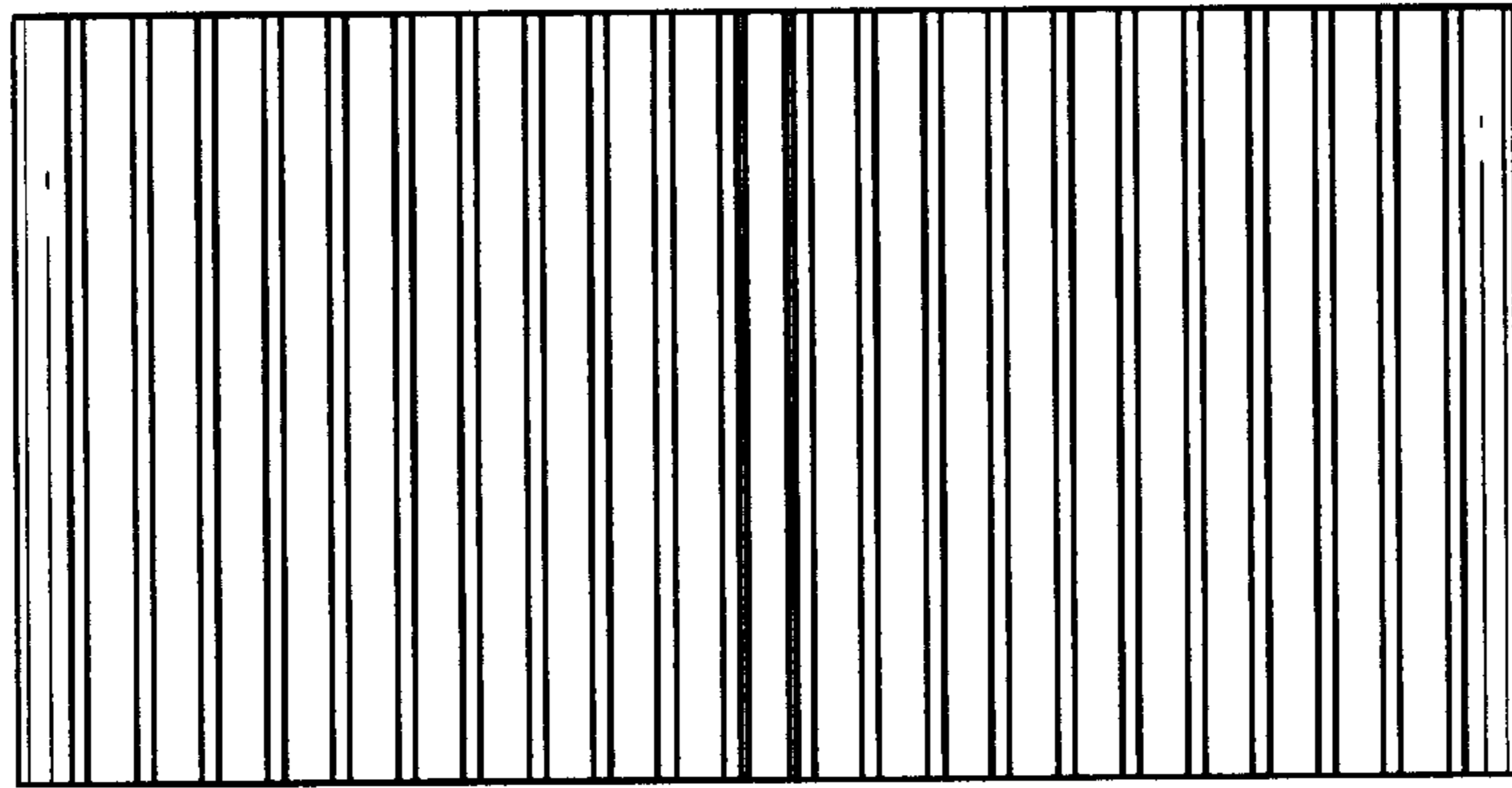


FIG. 6

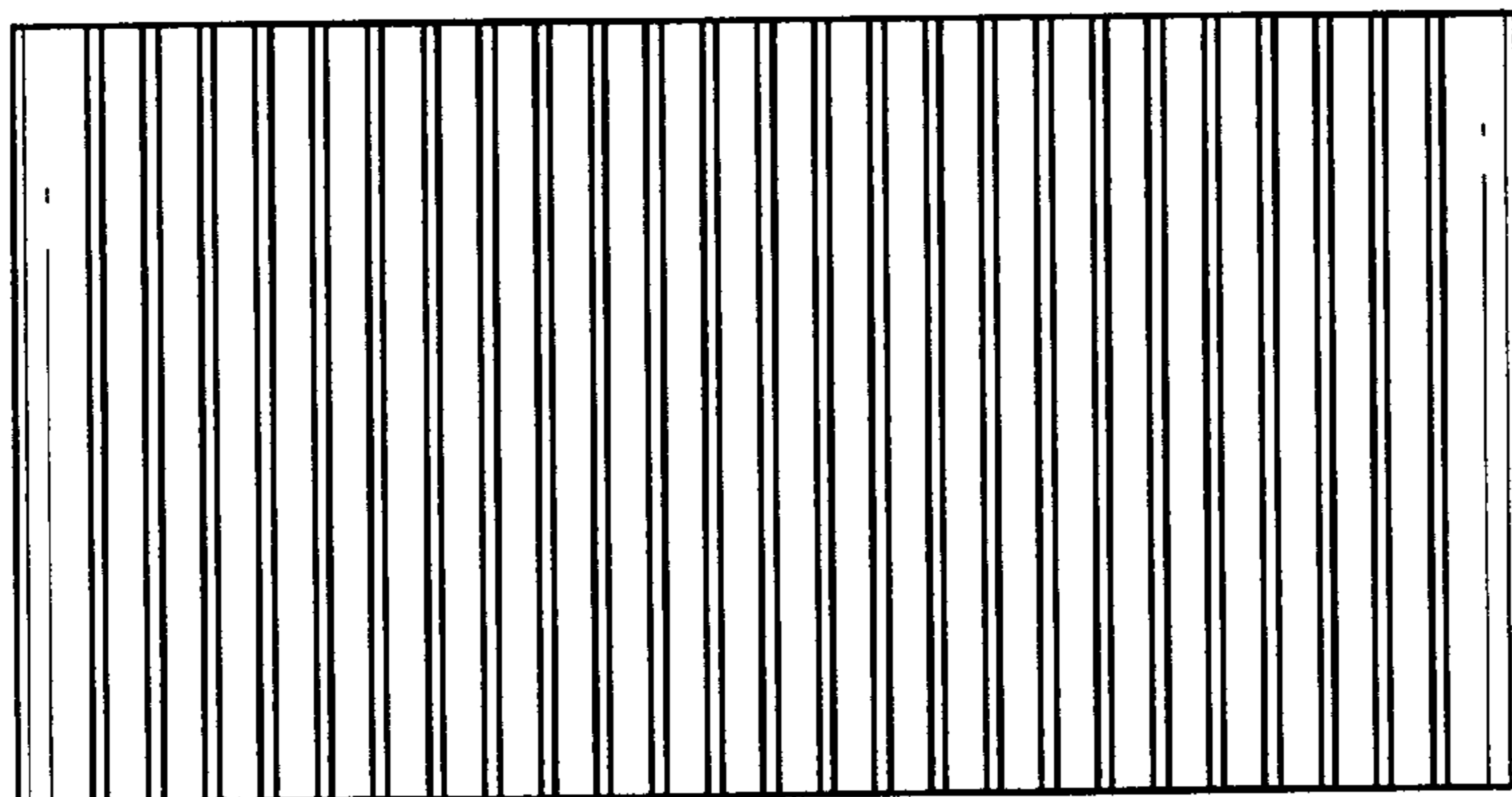


FIG. 7