



US00D491256S

(12) **United States Design Patent**
Fellows et al.

(10) **Patent No.:** **US D491,256 S**
(45) **Date of Patent:** **** Jun. 8, 2004**

(54) **EVAPORATOR**

(75) Inventors: **Robert Terrence Fellows**, Park Ridge, NJ (US); **Alfred G. Prior**, Upper Saddle River, NJ (US); **Manfred Alois Riegg**, Ringwood, NJ (US); **Jeffrey Lawrence Stern**, Rancho Santa Margarita, CA (US)

(73) Assignee: **Waldwick Plastics Corporation**

(**) Term: **14 Years**

(21) Appl. No.: **29/180,653**

(22) Filed: **Apr. 28, 2003**

(51) **LOC (7) Cl.** **23-04**

(52) **U.S. Cl.** **D23/366**

(58) **Field of Search** D23/360, 366;
239/34, 58, 60

(56) **References Cited**

U.S. PATENT DOCUMENTS

D273,225 S * 3/1984 Palson D23/366

D373,416 S * 9/1996 Ford et al. D23/364
D432,222 S * 10/2000 Rymer et al. D23/366
D433,744 S * 11/2000 Basaganas D23/366
D473,638 S * 4/2003 Cruver, IV D23/366

* cited by examiner

Primary Examiner—Robin V. Taylor
(74) *Attorney, Agent, or Firm*—Gibbons, Del Deo, Dolan, Griffinger & Vecchione

(57) **CLAIM**

We claim the ornamental design for an evaporator, as shown and described.

DESCRIPTION

FIG. 1 is a front view of the evaporator;
FIG. 2 is a rear view thereof;
FIG. 3 is a left view thereof;
FIG. 4 is a right view thereof;
FIG. 5 is a top view thereof; and,
FIG. 6 is a bottom view thereof.
The broken line showing is for illustrative purposes only and forms no part of the claimed design.

1 Claim, 2 Drawing Sheets

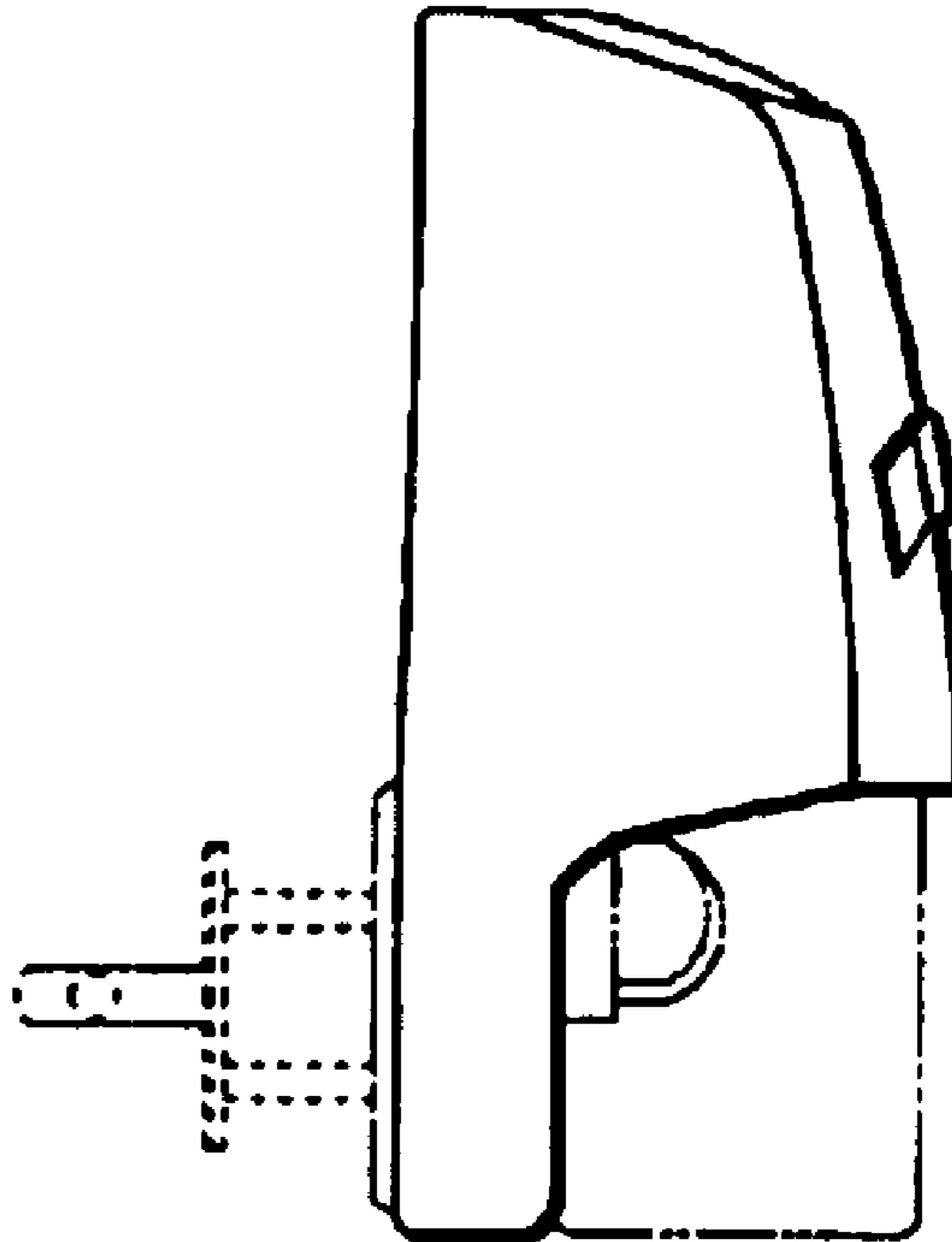
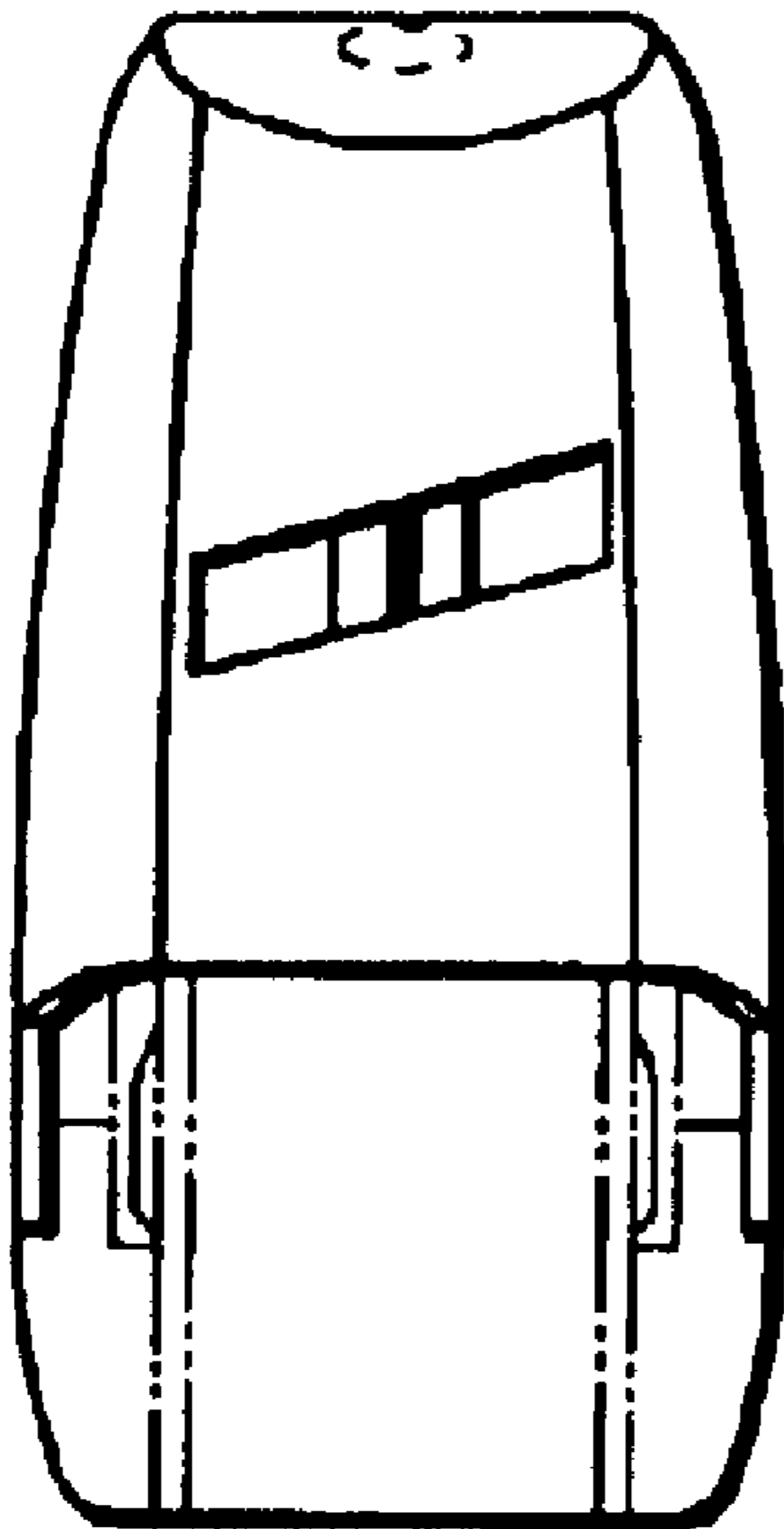


FIG. 1

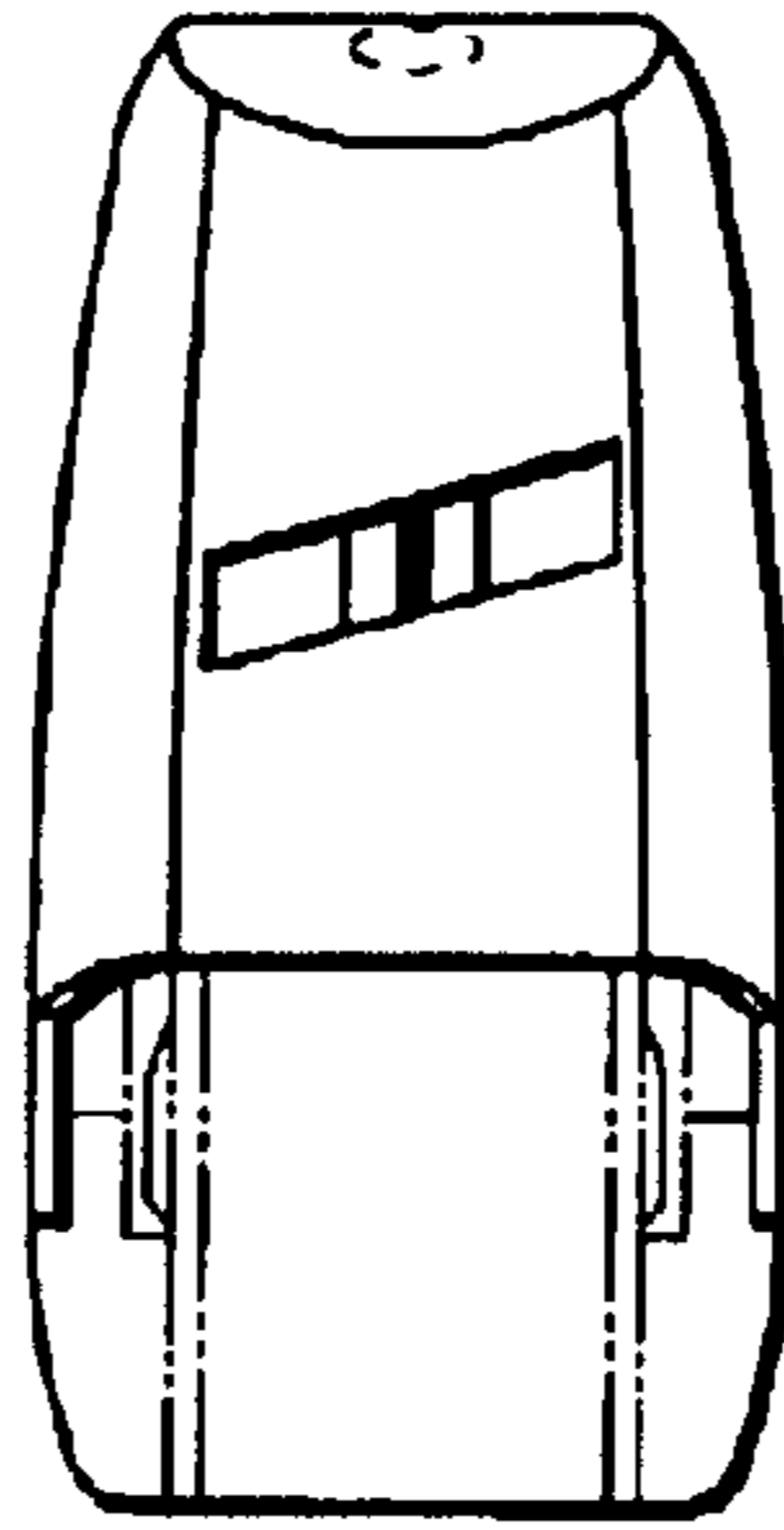


FIG. 2

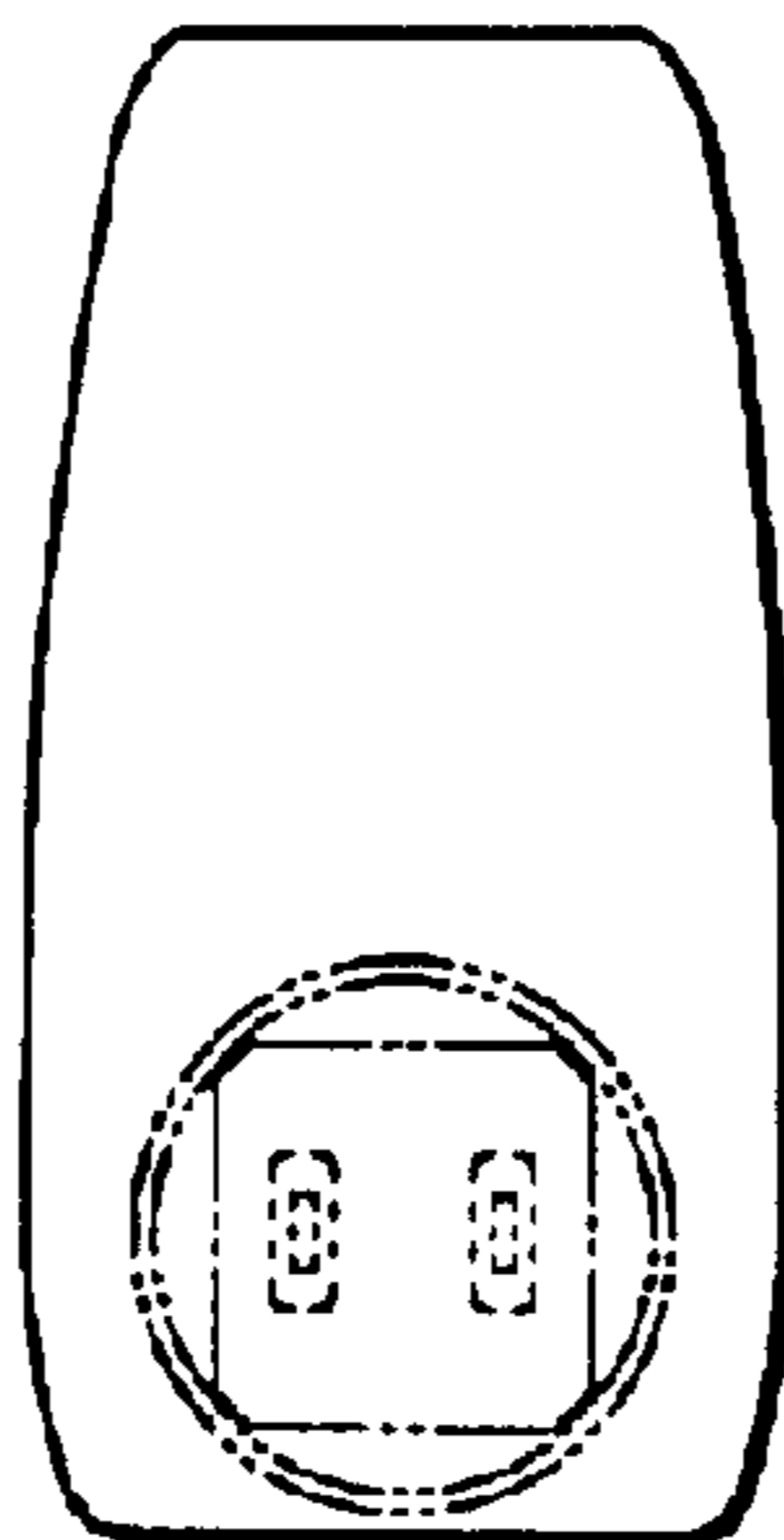


FIG. 3

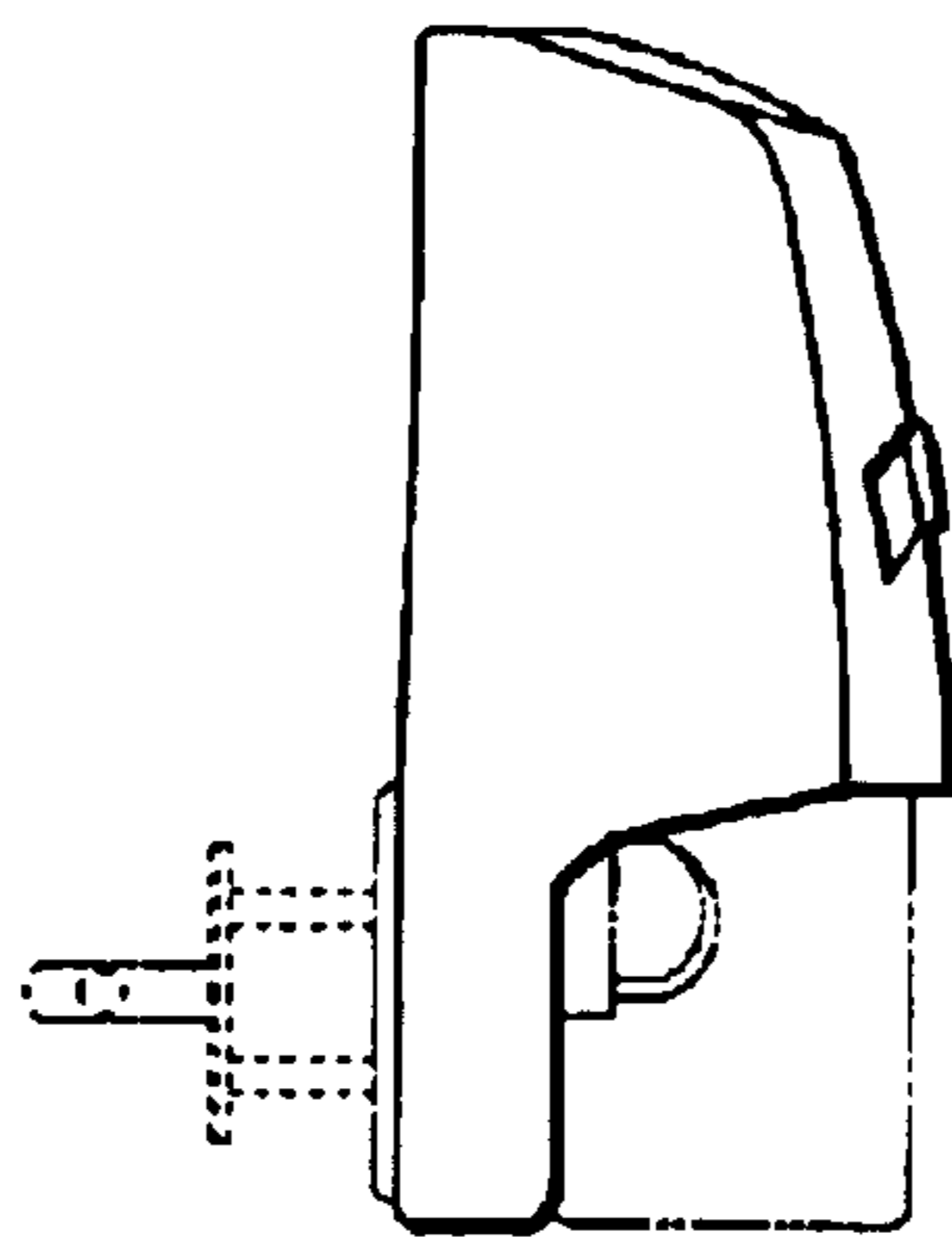


FIG. 4

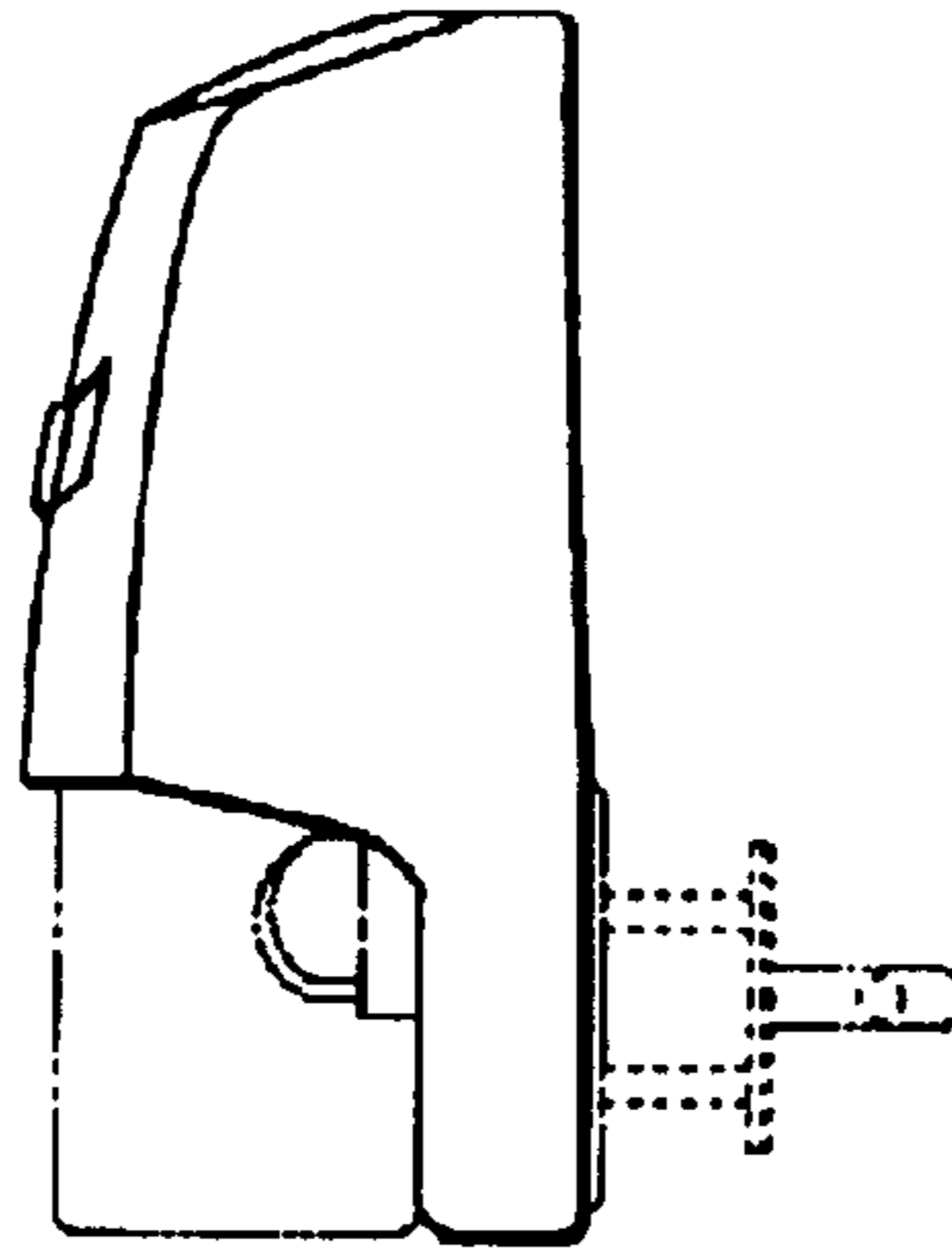


FIG. 5

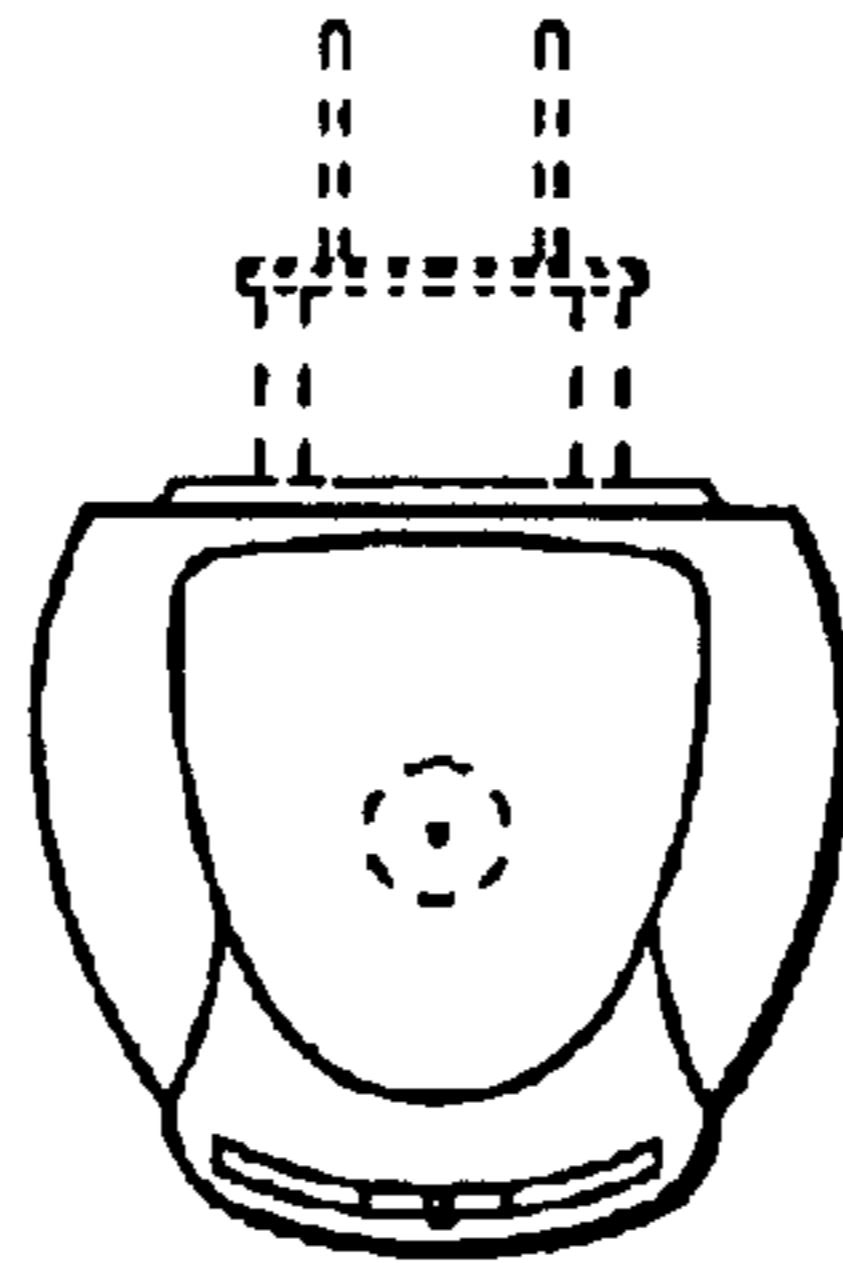


FIG. 6

