



US00D491254S

(12) **United States Design Patent**
Shimizu

(10) **Patent No.: US D491,254 S**

(45) **Date of Patent: ** *Jun. 8, 2004**

(54) **BATHTUB**

(75) **Inventor: Hideo Shimizu, Tokyo (JP)**

(73) **Assignee: Cappelline Buono Inc., Tokyo (JP)**

(* **Notice:** This patent is subject to a terminal disclaimer.

(**) **Term: 14 Years**

(21) **Appl. No.: 29/168,071**

(22) **Filed: Sep. 24, 2002**

(30) **Foreign Application Priority Data**

Apr. 4, 2002 (JP) 2002-009050

(51) **LOC (7) Cl. 23-02**

(52) **U.S. Cl. D23/280.2**

(58) **Field of Search** D23/273, 275,
D23/276, 277, 278, 279, 280.1, 280.2, 280.3,
303, 304, 305; D24/204, 205; 4/538, 546-548,
551, 555-557, 559, 571.1-579, 584-586,
589, 593, 661

(56) **References Cited**

U.S. PATENT DOCUMENTS

D17,902 S	11/1887	Torrance	
1,223,230 A	4/1917	Anderson	
1,247,112 A	11/1917	Holmberg et al.	
2,604,579 A	7/1952	Deneboudes	240/2
D192,955 S	6/1962	Moore	D4/4
3,585,991 A	6/1971	Balamuth	128/66
3,788,306 A	1/1974	Eberhard	128/66
4,142,337 A	3/1979	Holcomb	52/169.7
4,364,132 A	12/1982	Robinson	4/546
4,535,489 A	8/1985	Elkins	4/546
D286,233 S	10/1986	Schreiner	D6/397
D288,507 S	3/1987	Evans	D6/384
4,672,898 A	6/1987	Davidson	108/6
4,875,958 A	10/1989	Kurokawa	156/108
D310,311 S	9/1990	Bergen et al.	D6/500
4,974,808 A	12/1990	Ball	248/917
D323,378 S	1/1992	Delepine	D23/281
D324,148 S	2/1992	Dickman	D6/511

D356,902 S	4/1995	Crowell	D6/406
D367,708 S	3/1996	Lawing et al.	D24/204
D373,817 S	* 9/1996	Andronico	D23/277
5,553,735 A	9/1996	Kimura	220/469
5,604,940 A	2/1997	Shimizu	4/541.1
D390,376 S	2/1998	Chang	D6/424
D412,973 S	8/1999	Donnelly	D23/277
D428,713 S	8/2000	Arko et al.	D6/336
D444,546 S	* 7/2001	Shimizu	D23/277
D448,834 S	* 10/2001	Shimizu	D23/277
D451,986 S	12/2001	Marshall et al.	D23/280.1
D453,207 S	1/2002	Pavlopoulos	D23/277
D462,113 S	8/2002	Marshall et al.	D23/280.1
6,510,277 B1	1/2003	Dongo	385/147
D470,579 S	2/2003	Foster	D23/280.1
D473,634 S	4/2003	Foster	D23/277
D473,724 S	4/2003	De Wit	D6/336
6,539,561 B2	4/2003	Shimizu	4/559

OTHER PUBLICATIONS

U.S. patent application Ser. No. 29/168,037, Shimizu, filed Sep. 24, 2002.

U.S. patent application Ser. No. 29/168,056, Shimizu, filed Sep. 24, 2002.

U.S. patent application Ser. No. 29/168,057, Shimizu, filed Sep. 24, 2002.

(List continued on next page.)

Primary Examiner—Louis S Zarfaz
Assistant Examiner—Robert A. Delehanty
(74) *Attorney, Agent, or Firm*—Ladas & Parry

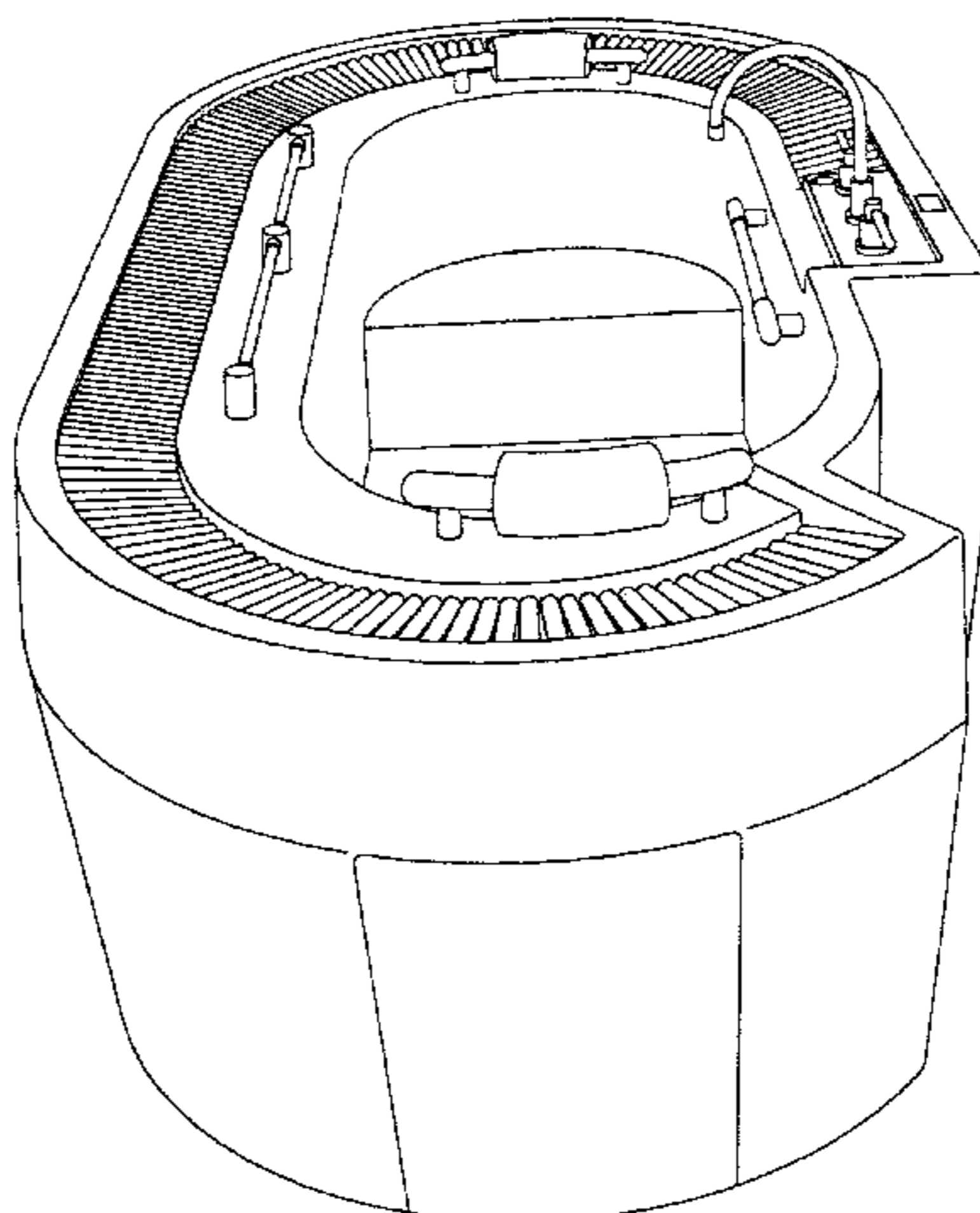
(57) **CLAIM**

The ornamental design for “bathtub,” as shown.

DESCRIPTION

FIG. 1 is a front view showing the design of this invention; FIG. 2 is a back view thereof; FIG. 3 is a right side view thereof; FIG. 4 is a left side view thereof; FIG. 5 is a top view thereof; FIG. 6 is a bottom view thereof; and, FIG. 7 is a perspective view thereof.

1 Claim, 4 Drawing Sheets



OTHER PUBLICATIONS

U.S. patent application Ser. No. 29/168,059, Shimizu, filed Sep. 24, 2002.

U.S. patent application Ser. No. 29/168,064, Shimizu, filed Sep. 24, 2002.

U.S. patent application Ser. No. 29/168,067, Shimizu, filed Sep. 24, 2002.

U.S. patent application Ser. No. 29/168,068, Shimizu, filed Sep. 24, 2002.

U.S. patent application Ser. No. 29/168,079, Shimizu, filed Sep. 24, 2002.

U.S. patent application Ser. No. 10/179,571, Shimizu, filed Jun. 24, 2002.

U.S. patent application Ser. No. 10/179,596, Shimizu, filed Jun. 24, 2002.

U.S. patent application Ser. No. 10/313,797, Shimizu, filed Dec. 6, 2002.

* cited by examiner

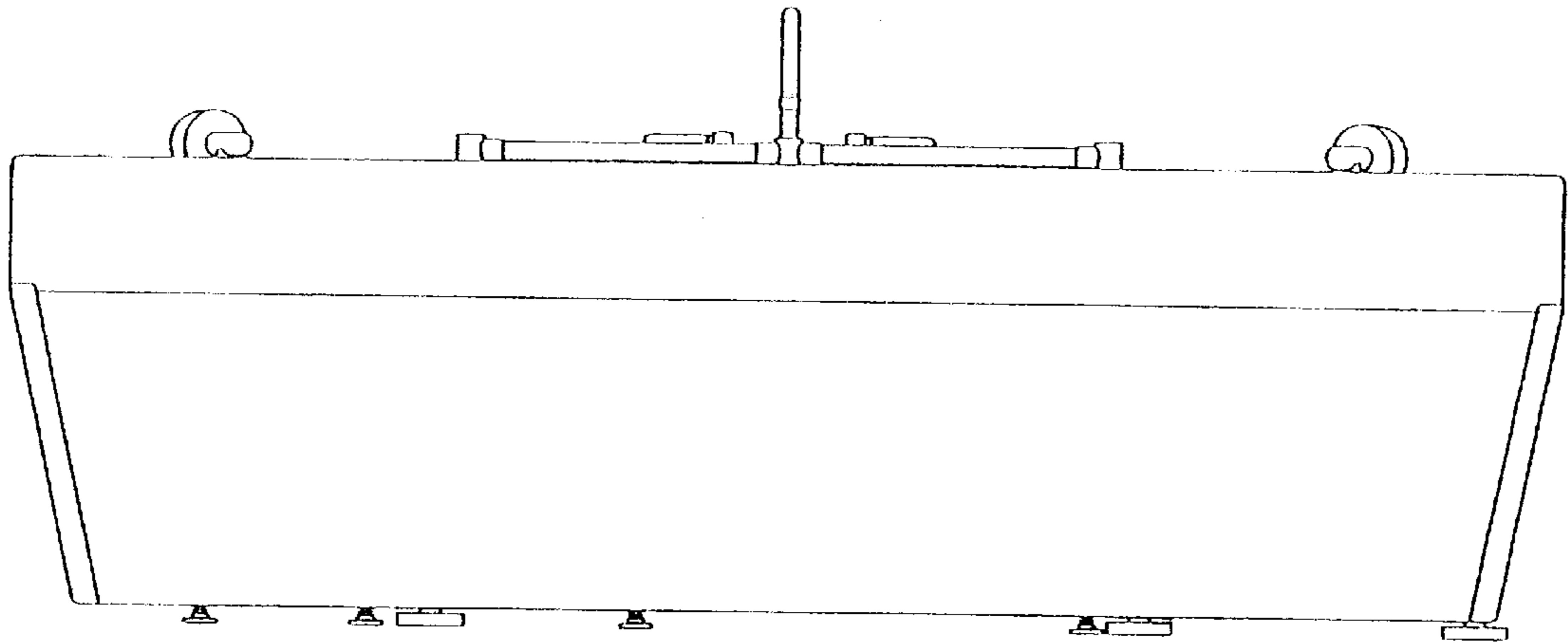


Fig. 1

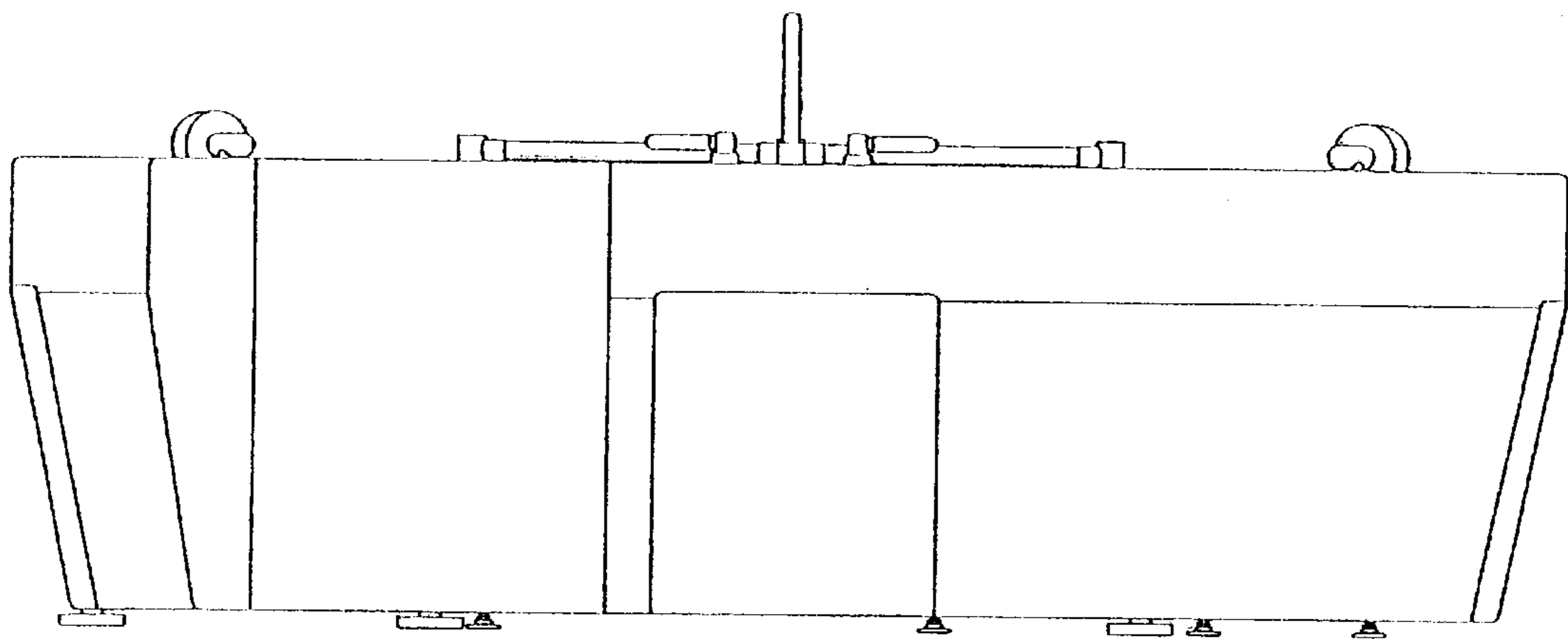


Fig. 2

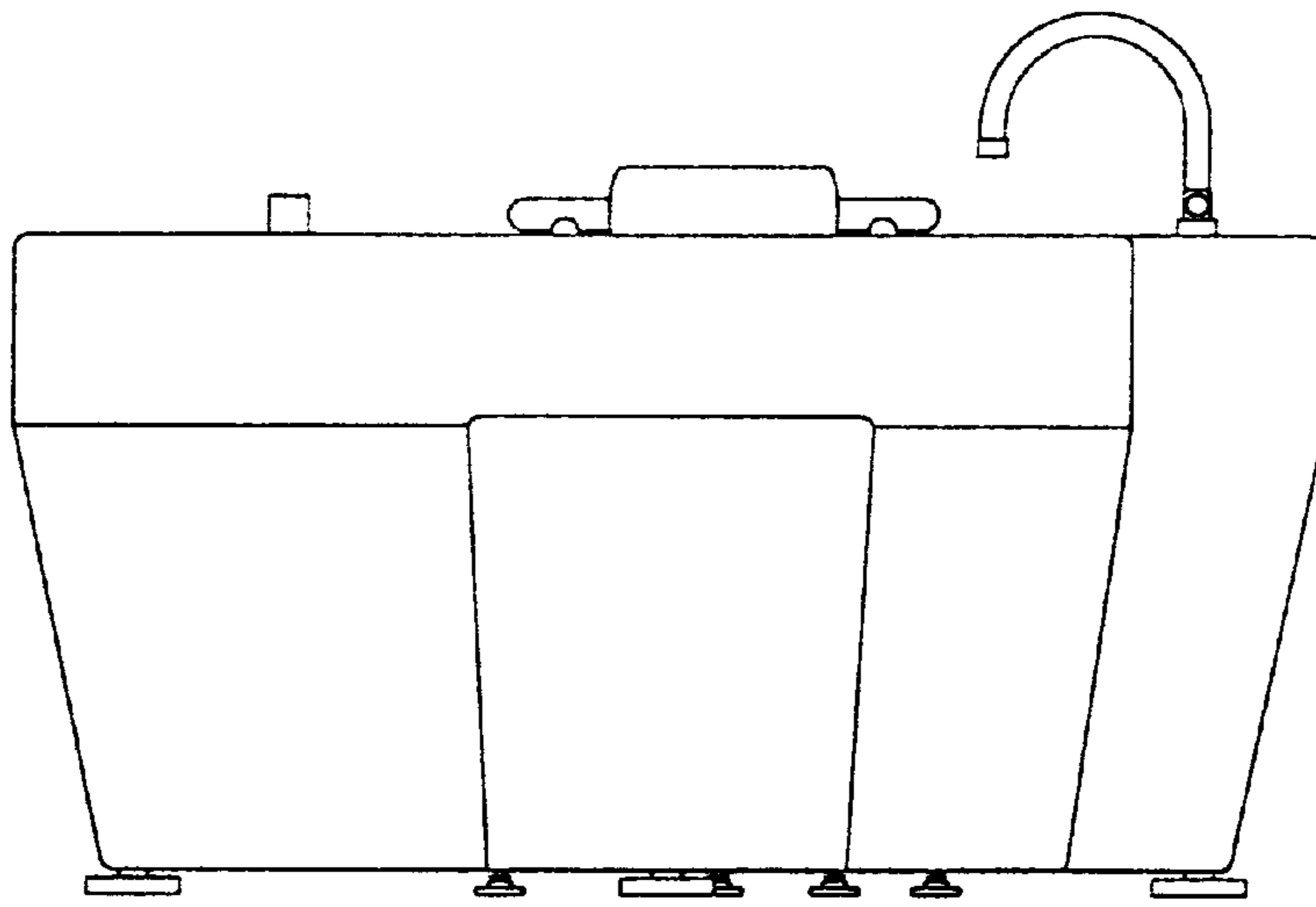


Fig. 3

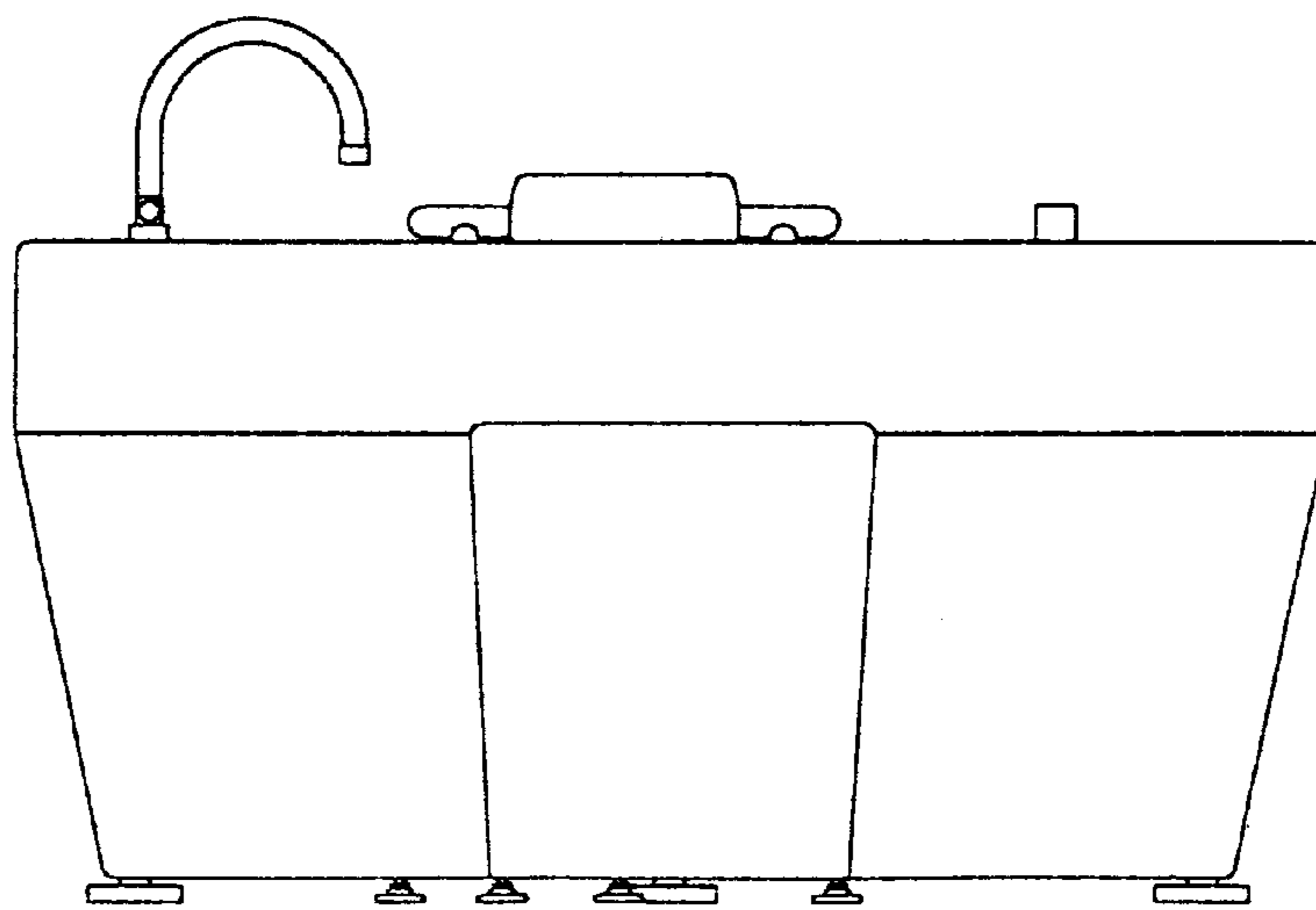


Fig. 4

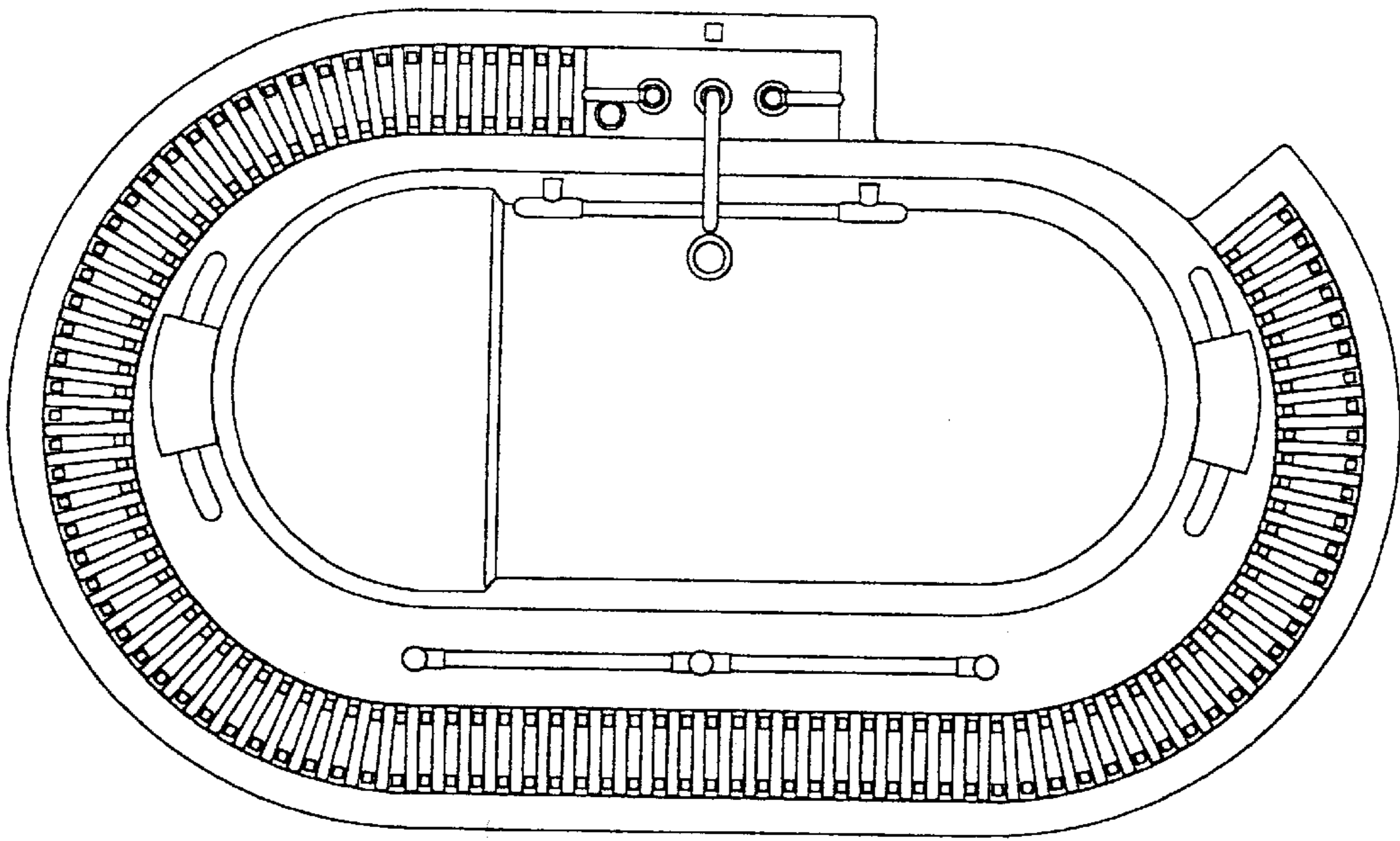


Fig. 5

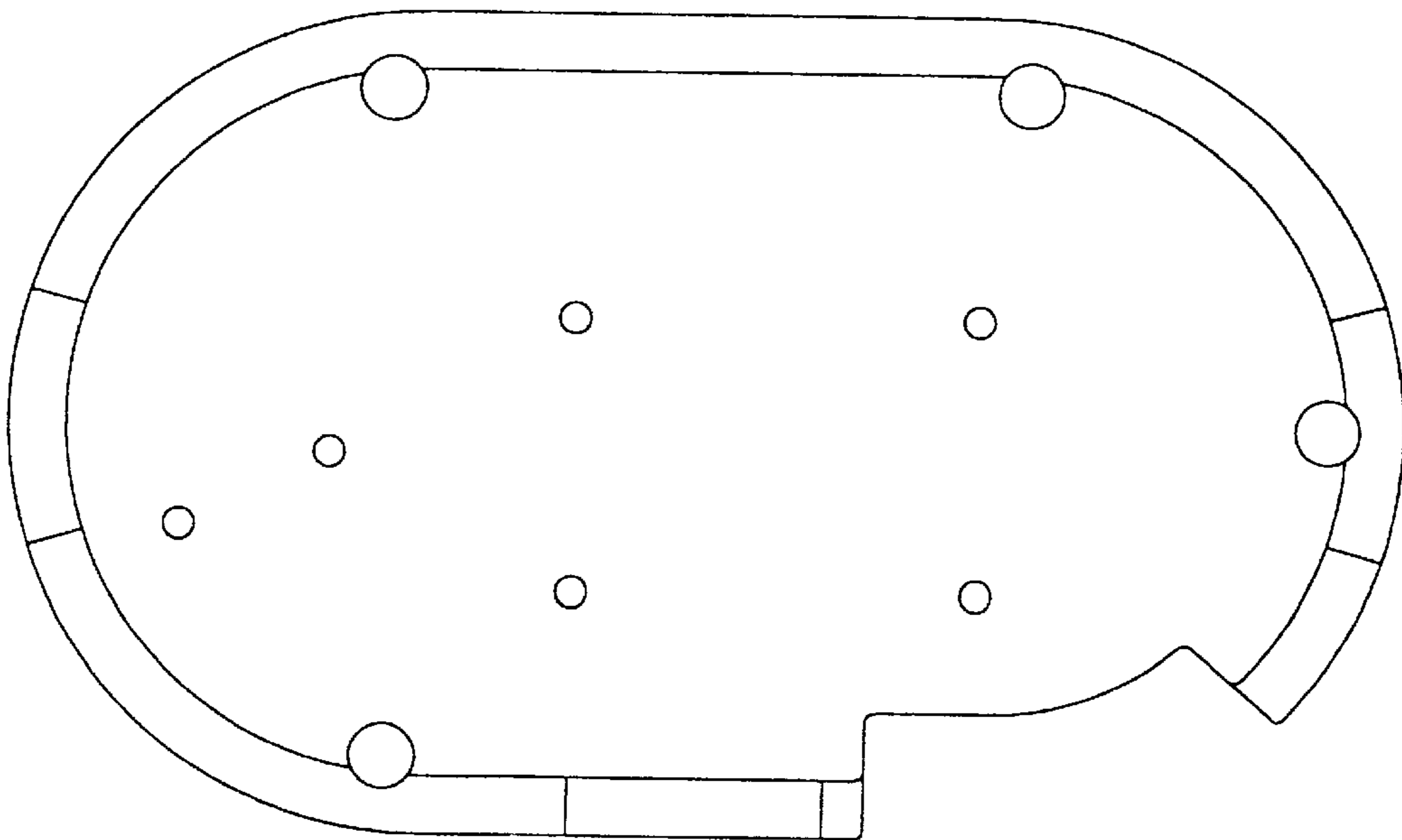


Fig. 6

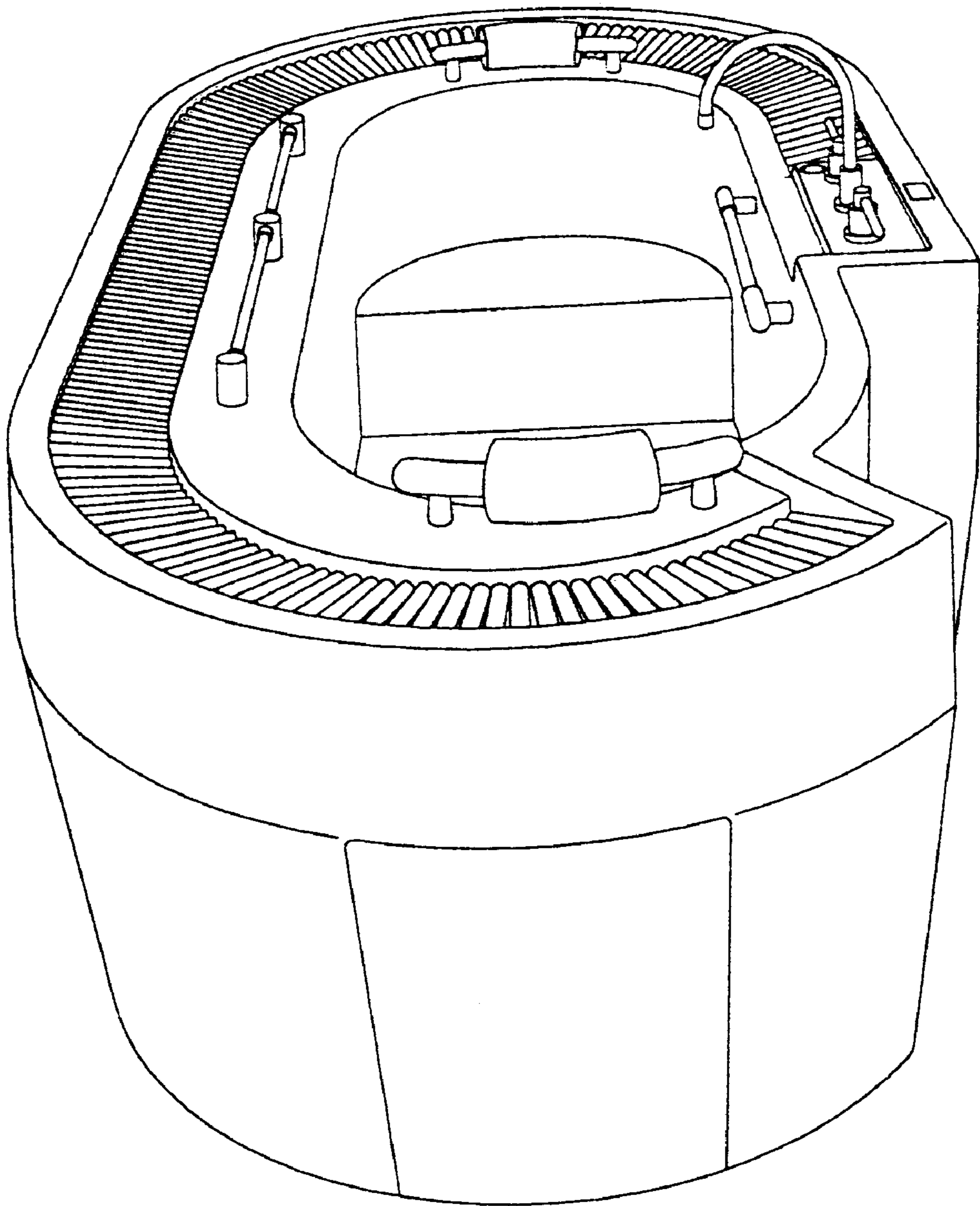


Fig. 7