



US00D491253S

(12) **United States Design Patent**
Hansle

(10) **Patent No.:** **US D491,253 S**

(45) **Date of Patent:** **** Jun. 8, 2004**

(54) **TELESCOPING MIXER TAP**

(76) **Inventor:** **Anthony Hansle**, 430 Walmley Road,
Walmley, Sutton Coldfield, West
Midlands B76-1PE (GB)

(**) **Term:** **14 Years**

(21) **Appl. No.:** **29/186,462**

(22) **Filed:** **Jul. 17, 2003**

(51) **LOC (7) Cl.** **23-01**

(52) **U.S. Cl.** **D23/241; D23/238**

(58) **Field of Search** **D23/250-257;**
4/671-678; 137/801

(56) **References Cited**

U.S. PATENT DOCUMENTS

3,136,570	A	6/1964	Lee	
D281,097	S	* 10/1985	Arnold et al. D23/241
D291,235	S	8/1987	Bergmann et al.	
4,979,538	A	12/1990	Krippendorf et al.	
D327,731	S	7/1992	Kajpust et al.	
5,697,393	A	12/1997	Mirlisena, Sr.	
5,797,416	A	8/1998	Wilcox	

6,370,713	B2	* 4/2002	Bosio 4/677
D458,988	S	* 6/2002	Schroder D23/243
D481,445	S	* 10/2003	Haug et al. D23/238
D485,602	S	* 1/2004	Lee D23/241

* cited by examiner

Primary Examiner—Louis S. Zarfaz

Assistant Examiner—Gregory Andoll

(74) *Attorney, Agent, or Firm*—Donald R. Schoonover

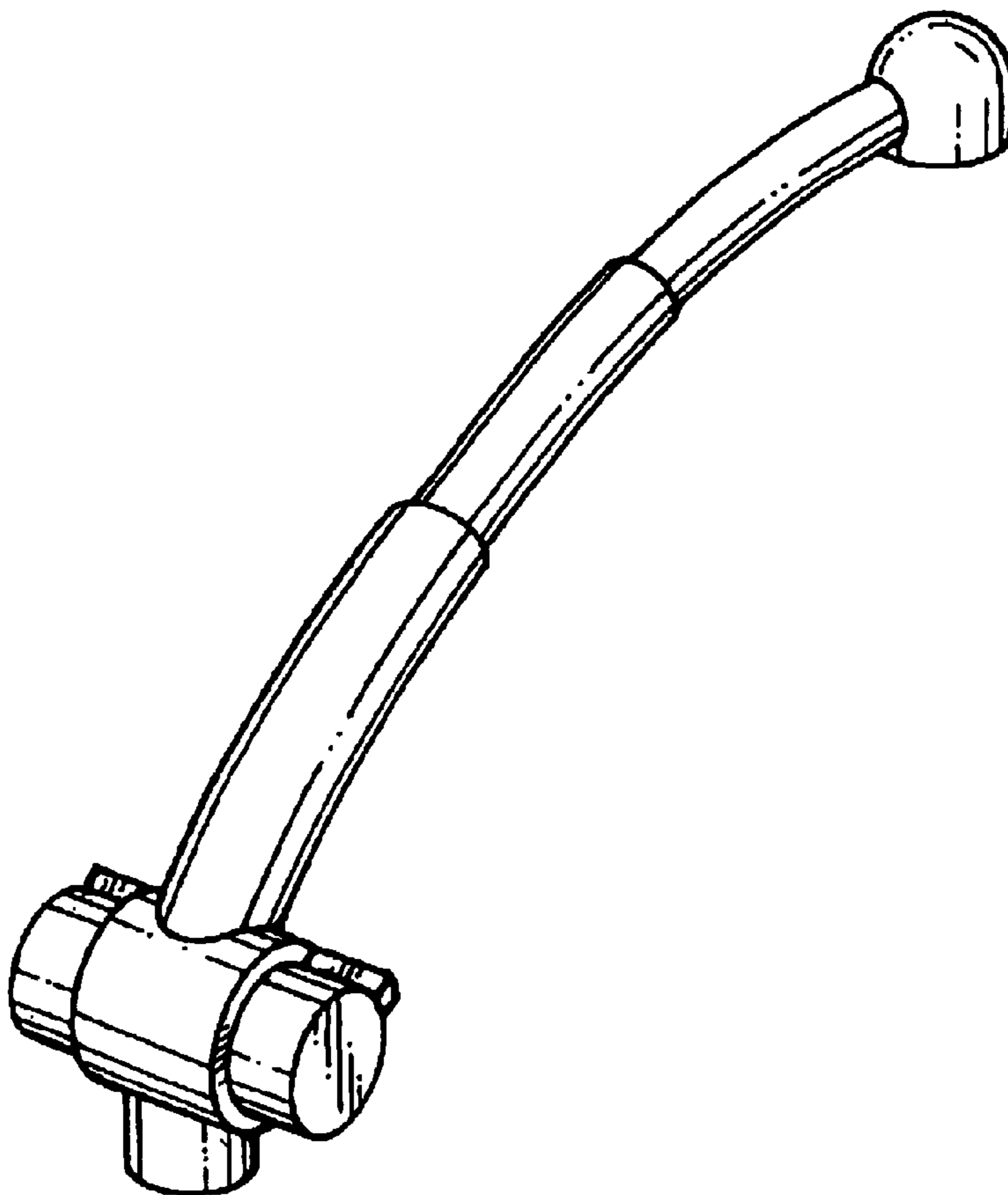
(57) **CLAIM**

I claim the ornamental design for a telescoping mixer tap, as shown and described.

DESCRIPTION

FIG. 1 is a perspective view of a telescoping mixer tap showing my new design;
FIG. 2 is a front elevational view thereof;
FIG. 3 is a rear elevational view thereof;
FIG. 4 is a right side elevational view thereof, the left side elevational view being a mirror image thereof;
FIG. 5 is a top plan view thereof; and,
FIG. 6 is a bottom plan view thereof.

1 Claim, 4 Drawing Sheets



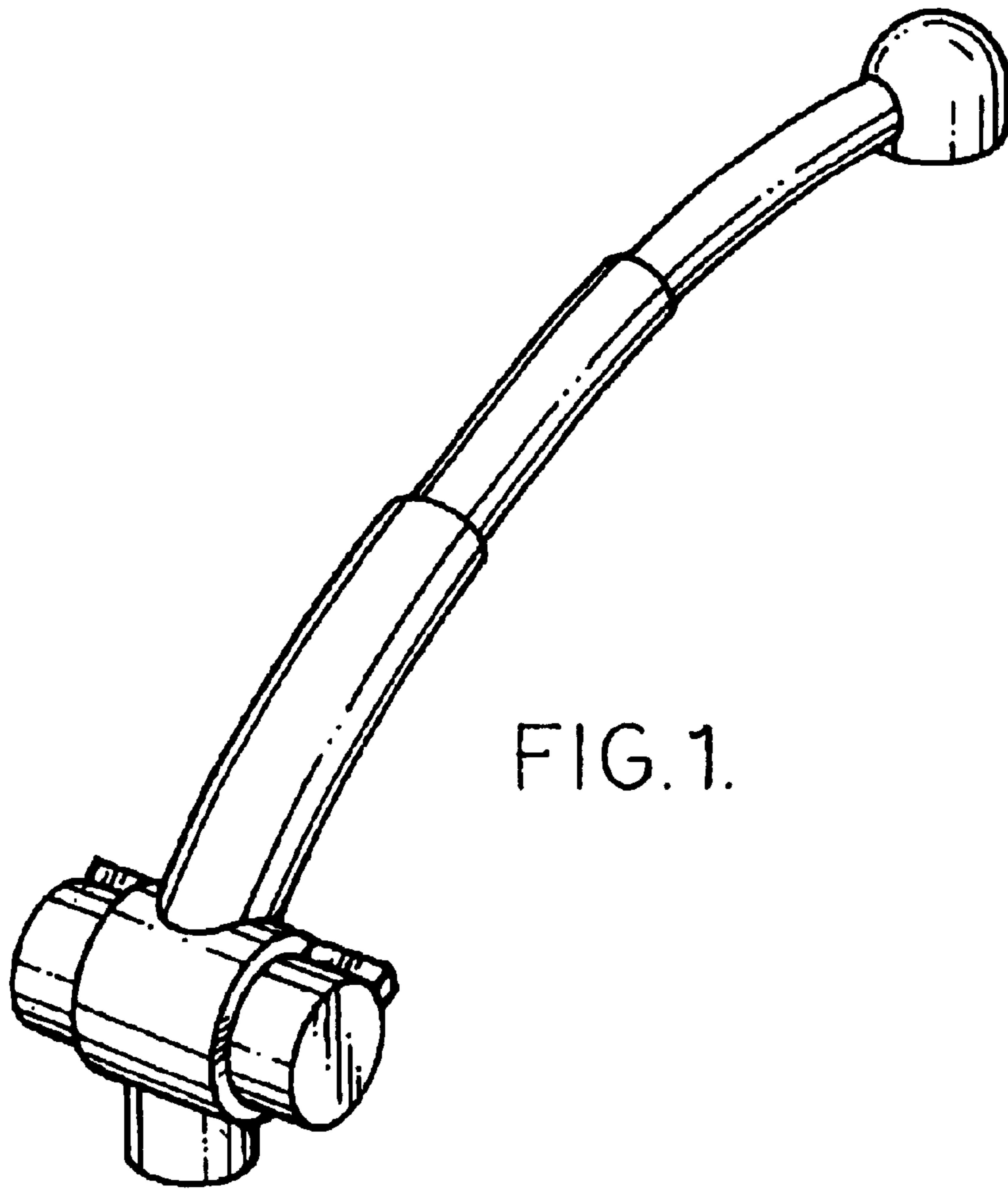


FIG. 1.

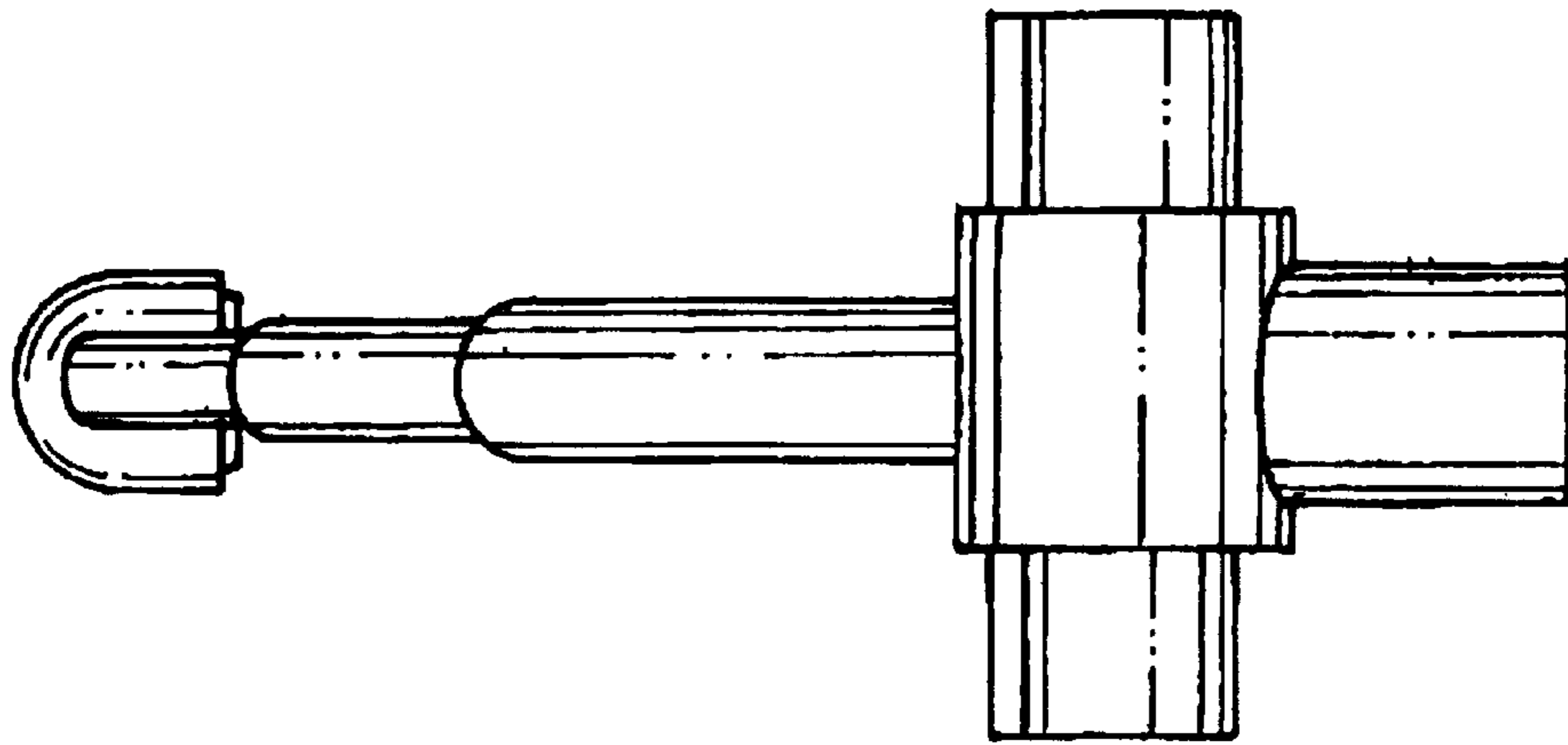


FIG. 3.

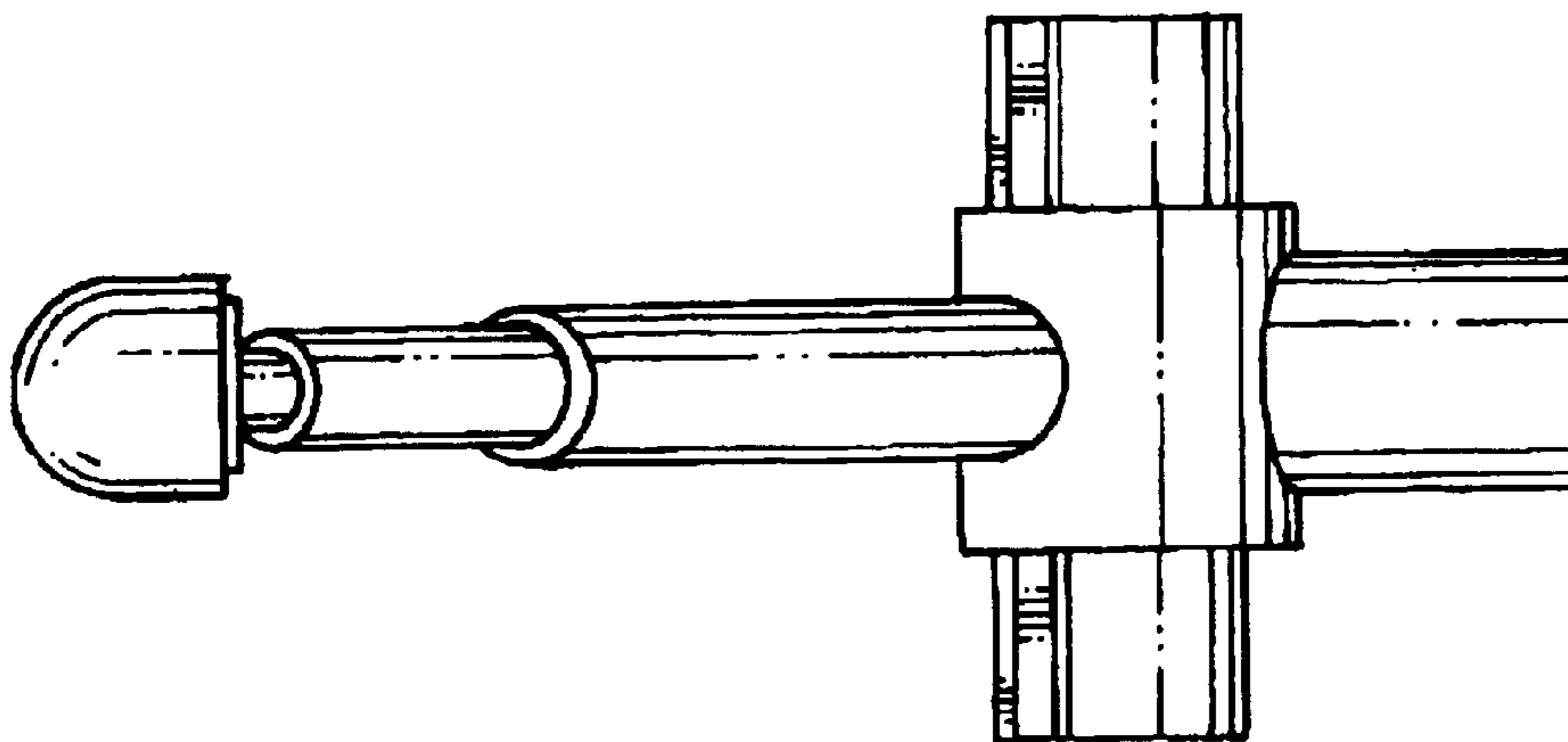


FIG. 2.

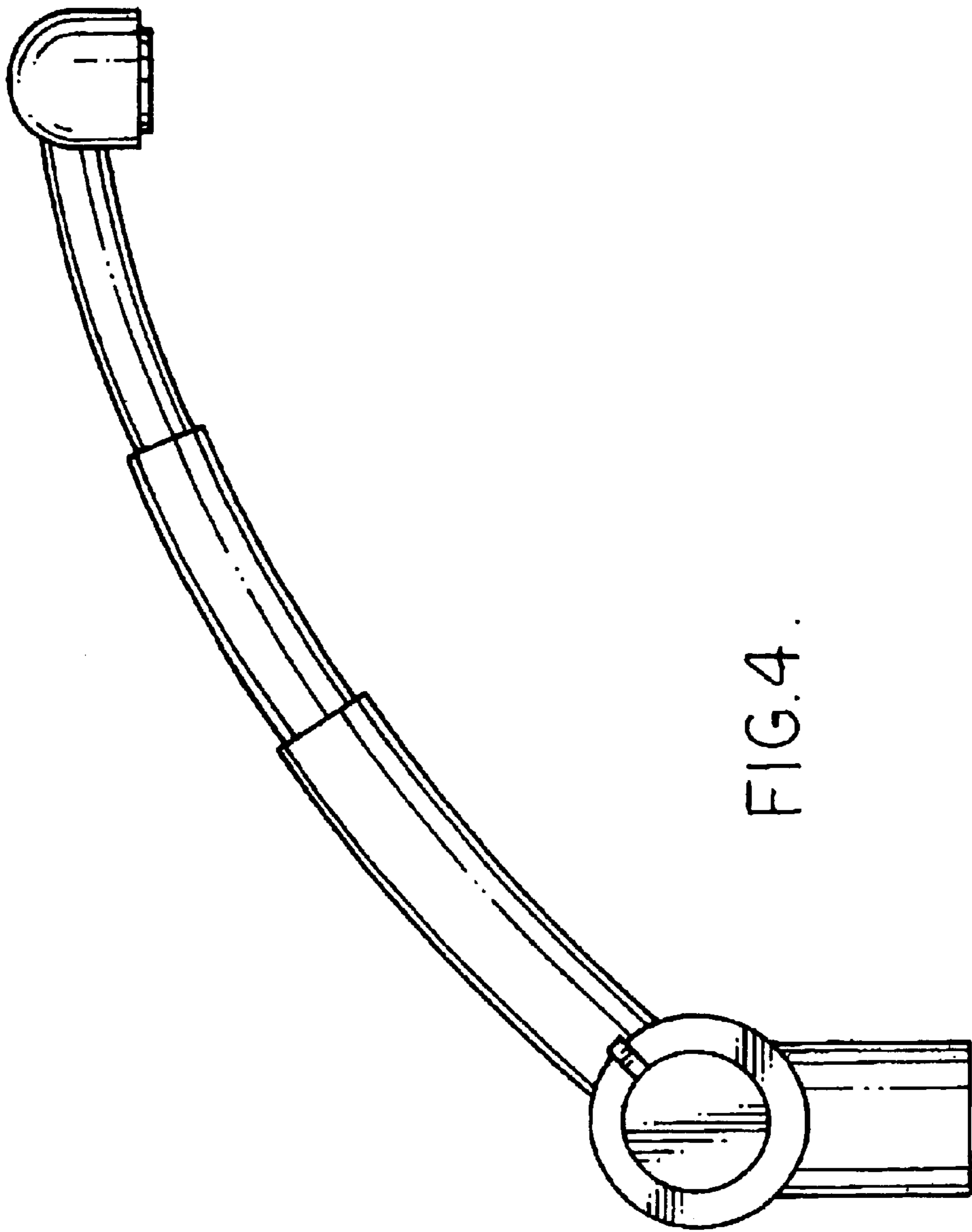


FIG.4.

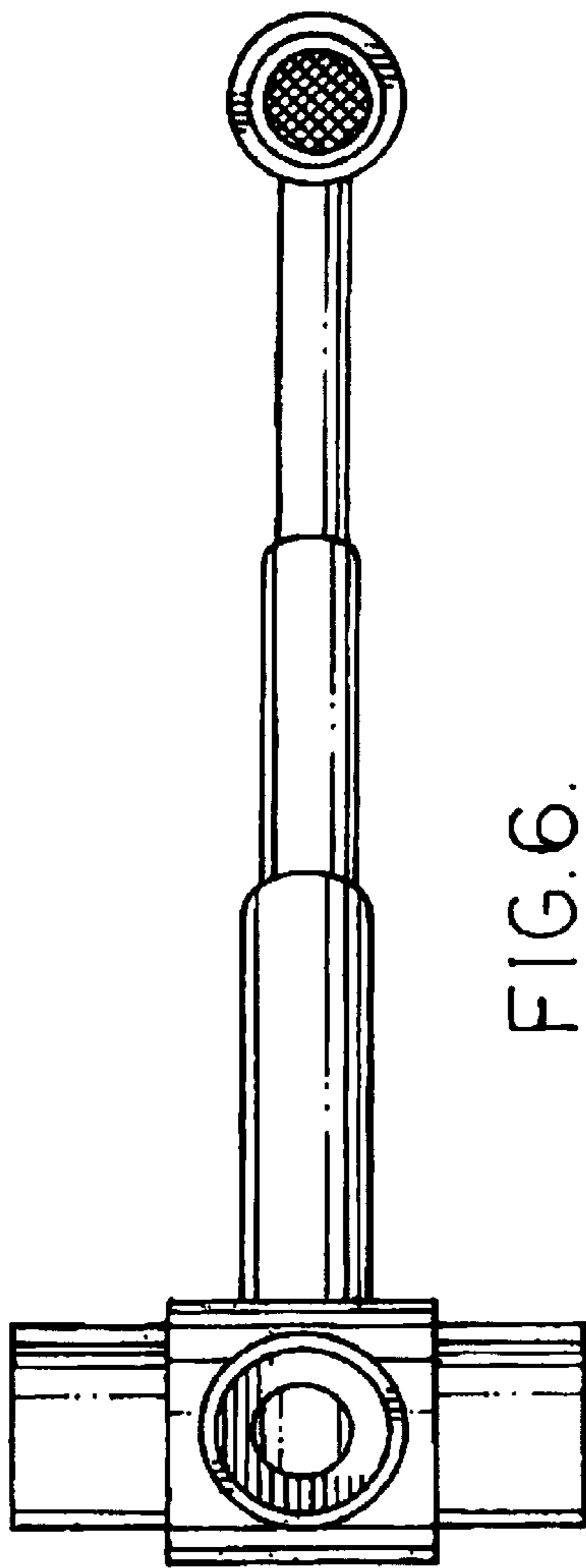


FIG. 6.

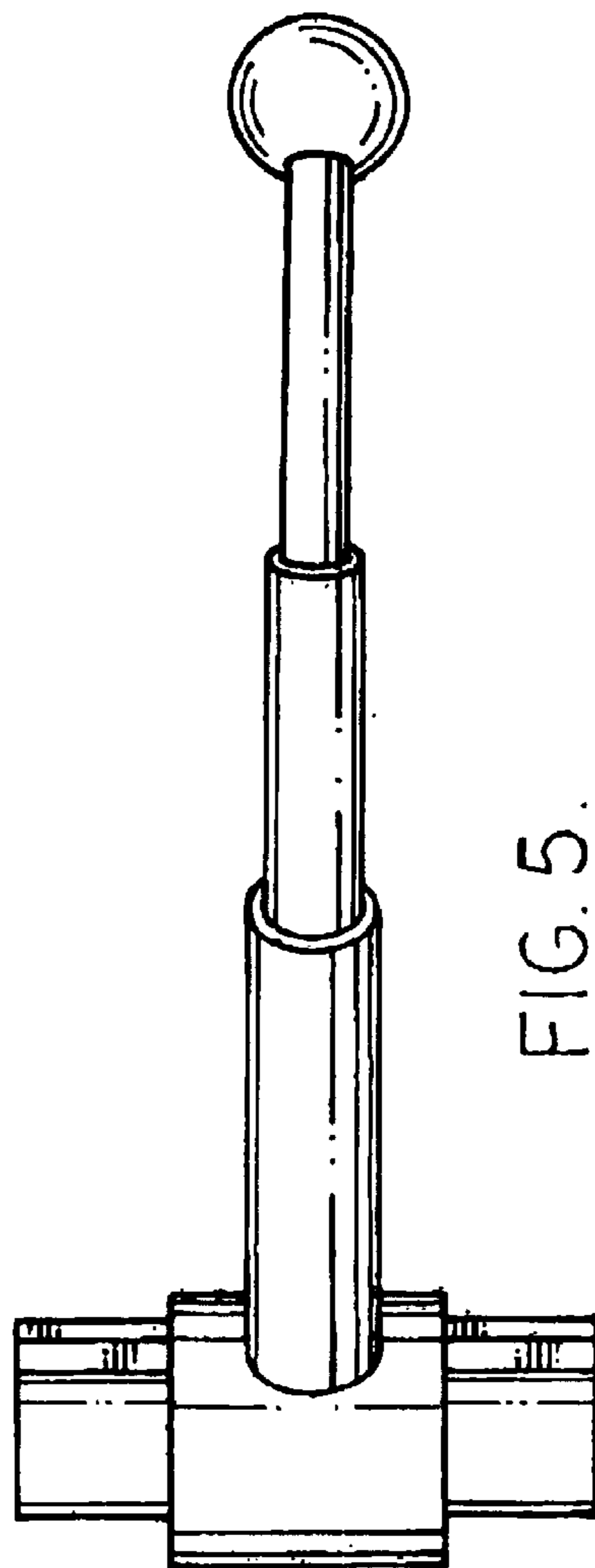


FIG. 5.