



US00D491249S

(12) **United States Design Patent**
Burke et al.

(10) **Patent No.:** **US D491,249 S**

(45) **Date of Patent:** **** Jun. 8, 2004**

(54) **BAITCAST FISHING REEL BODY**
(75) Inventors: **Marde Burke**, Owasso, OK (US);
Hyunkyu Kim, Broken Arrow, OK
(US); **Jeffrey N. Moore**, Broken Arrow,
OK (US)

D432,202 S	10/2000	Kim et al.	D22/140
D436,645 S	1/2001	Kim et al.	D22/140
D452,292 S	12/2001	Kim et al.	D22/140
D468,795 S	* 1/2003	Kondo et al.	D22/140
D476,715 S	7/2003	Robbins et al.	D22/140
D482,753 S	* 11/2003	Burke	D22/140

(73) Assignee: **W.C. Bradley/Zebco holdings, Inc.**,
Tulsa, OK (US)

(**) Term: **14 Years**

(21) Appl. No.: **29/183,267**

(22) Filed: **Jun. 9, 2003**

(51) **LOC (7) Cl.** **22-05**

(52) **U.S. Cl.** **D22/140**

(58) **Field of Search** D22/140, 141,
D22/137-139; 242/234-240, 310-312,
314, 319, 323, 283; 43/21, 21.2, 22, 19

(56) **References Cited**

U.S. PATENT DOCUMENTS

D294,380 S	2/1988	Robbins et al.	D22/140
D294,381 S	2/1988	Robbins	D22/140
D319,282 S	8/1991	Robbins et al.	D22/140
D320,834 S	10/1991	Robbins et al.	D22/140
D349,149 S	7/1994	Roberts et al.	D22/140
D349,324 S	8/1994	Roberts et al.	D22/140
D368,955 S	4/1996	Robbins	D22/140
5,950,949 A	9/1999	Cockerham	242/289
5,984,221 A	11/1999	Kim	242/289
6,003,798 A	12/1999	Kim	242/289
6,032,893 A	* 3/2000	Sekimoto et al.	242/283
D425,169 S	* 5/2000	Iwabuchi	D22/140

OTHER PUBLICATIONS

Print-out from Abu Garcia website, Ambassador® EON® PRO, Sep. 4, 2003.

* cited by examiner

Primary Examiner—Catherine R. Oliver
(74) *Attorney, Agent, or Firm*—Fellers, Snider,
Blankenship, Bailey & Tippens, P.C.

(57) **CLAIM**

The ornamental design for a baitcast fishing reel body, as shown.

DESCRIPTION

FIG. 1 is a perspective view, illustrating the left side, rear and top, of a baitcast fishing reel body showing the new design;

FIG. 2 is a front elevational view thereof;

FIG. 3 is a right side elevational view thereof;

FIG. 4 is a left side elevational view thereof;

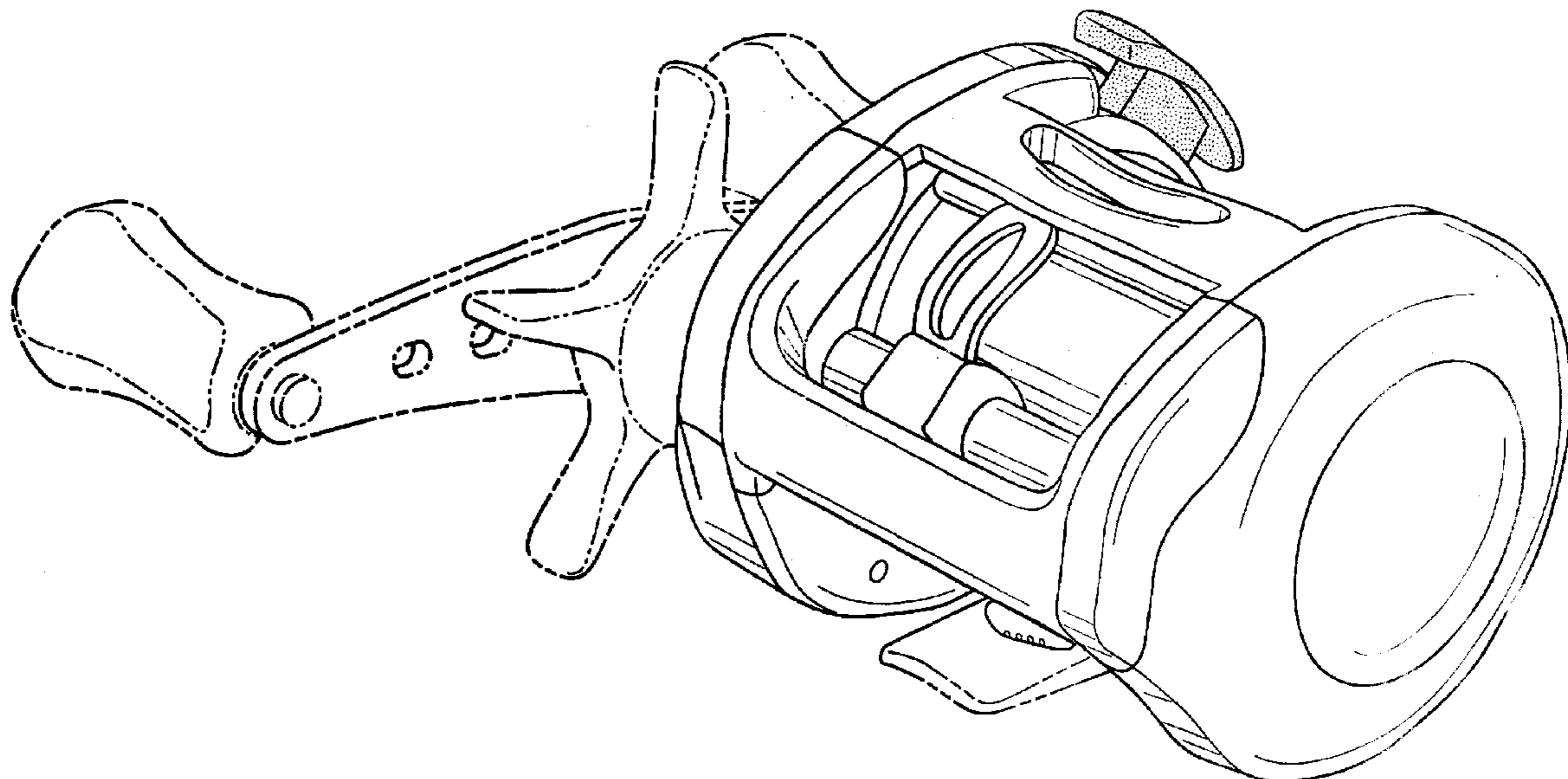
FIG. 5 is a top plan view thereof;

FIG. 6 is a bottom plan view thereof; and,

FIG. 7 is a rear elevational view thereof.

The broken lines showing of environment in the drawings are for illustrative purposes only and form no part of the claimed design.

1 Claim, 6 Drawing Sheets



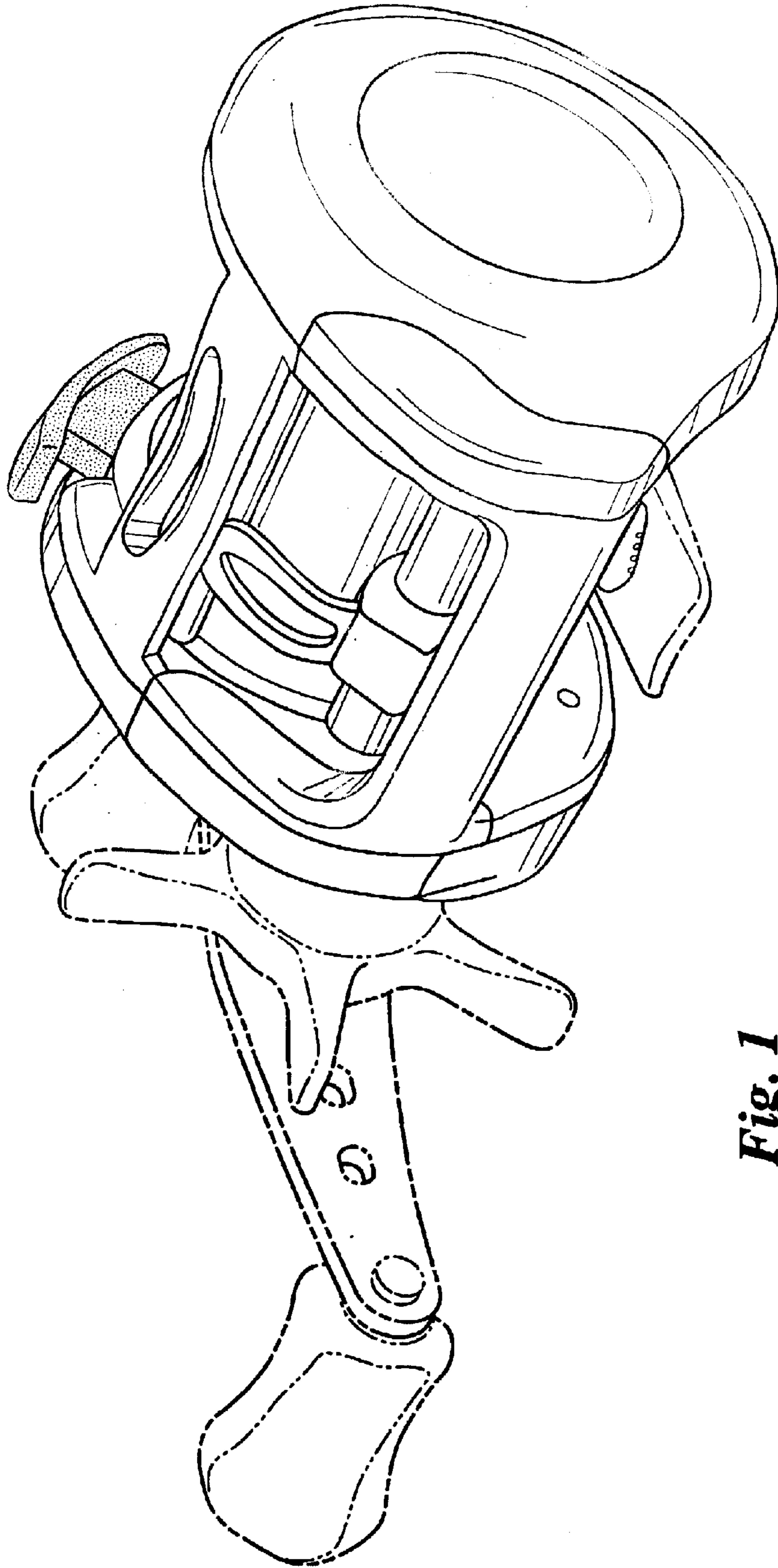


Fig. 1

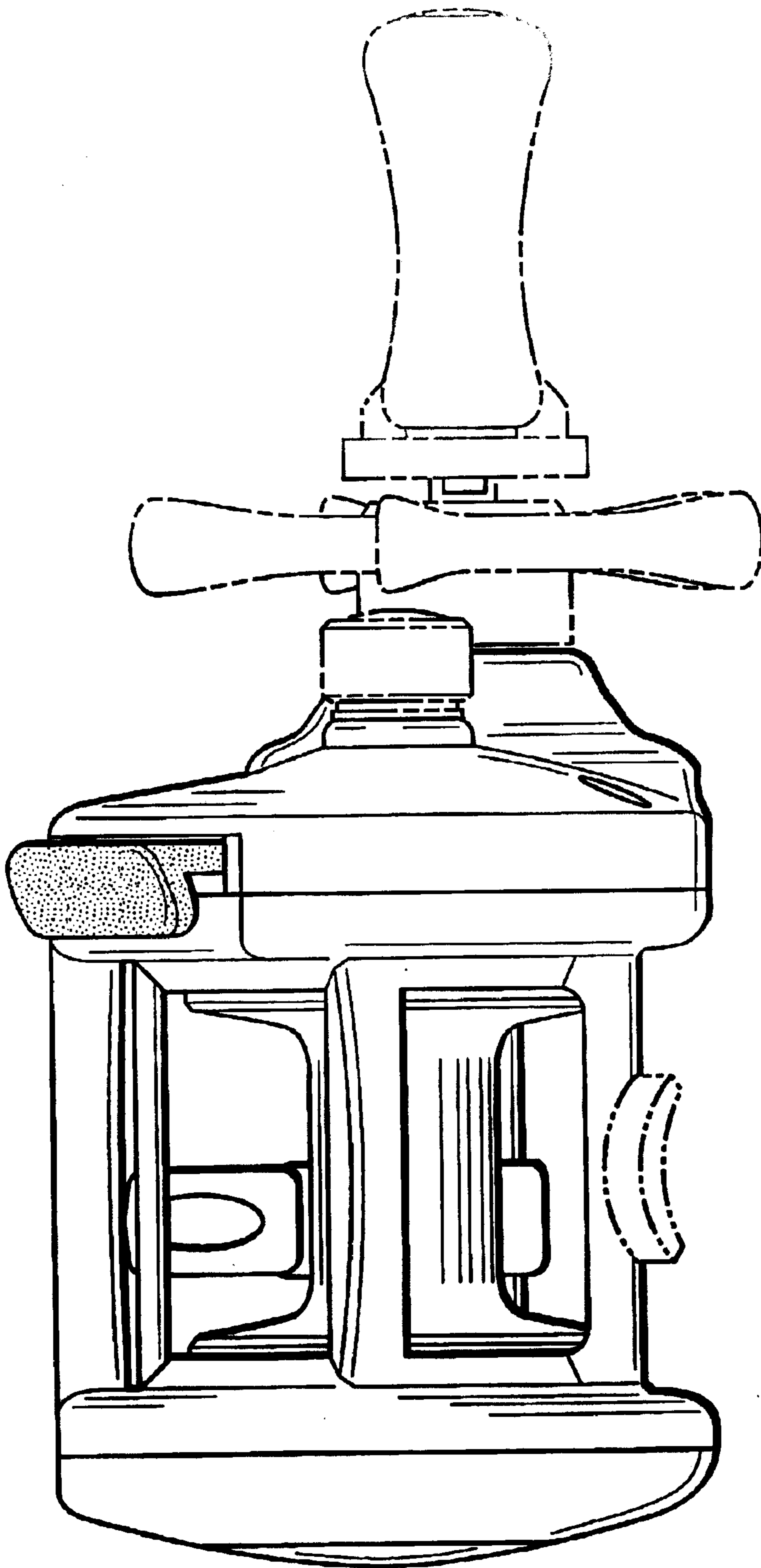


Fig. 2

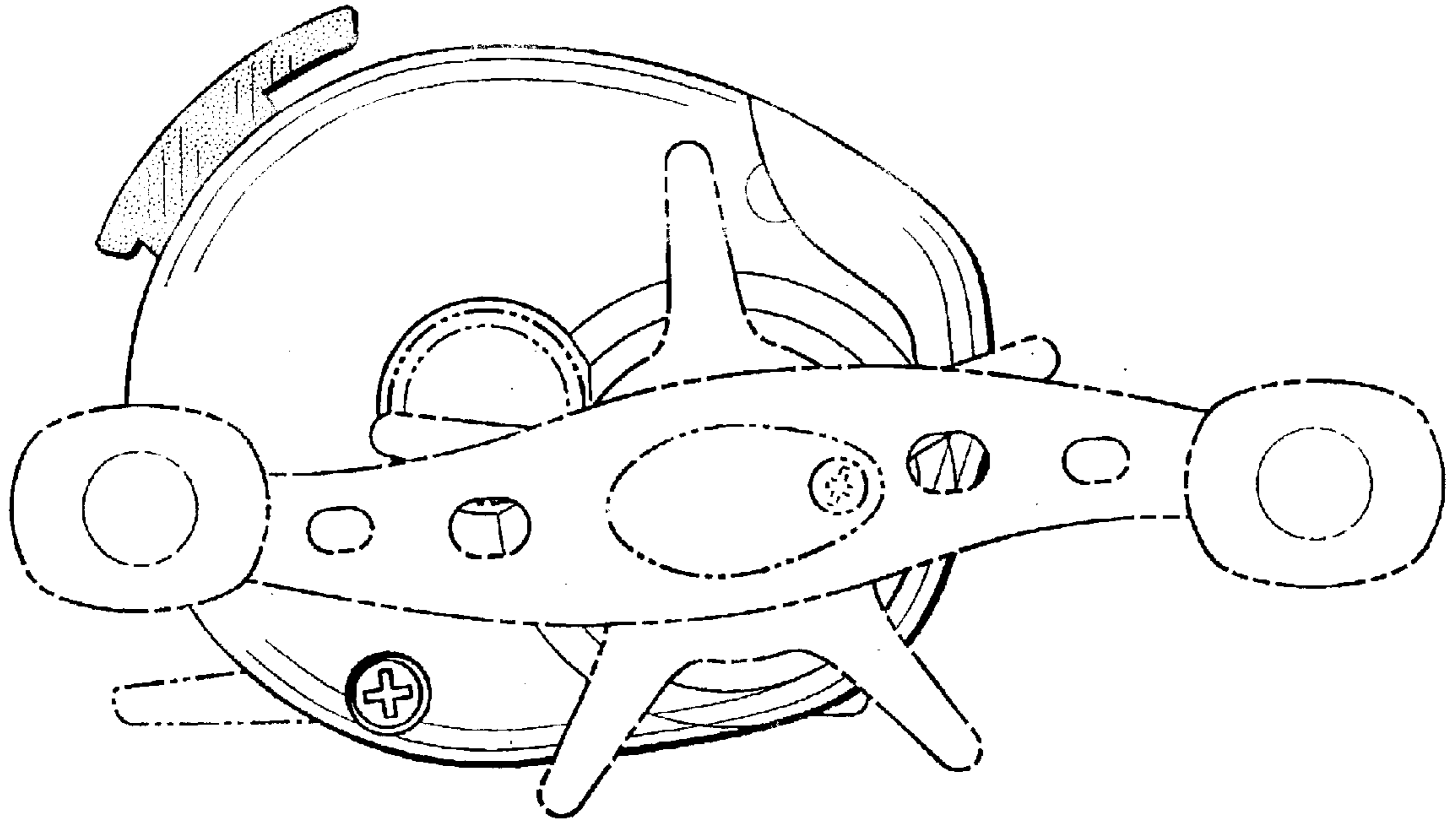


Fig. 3

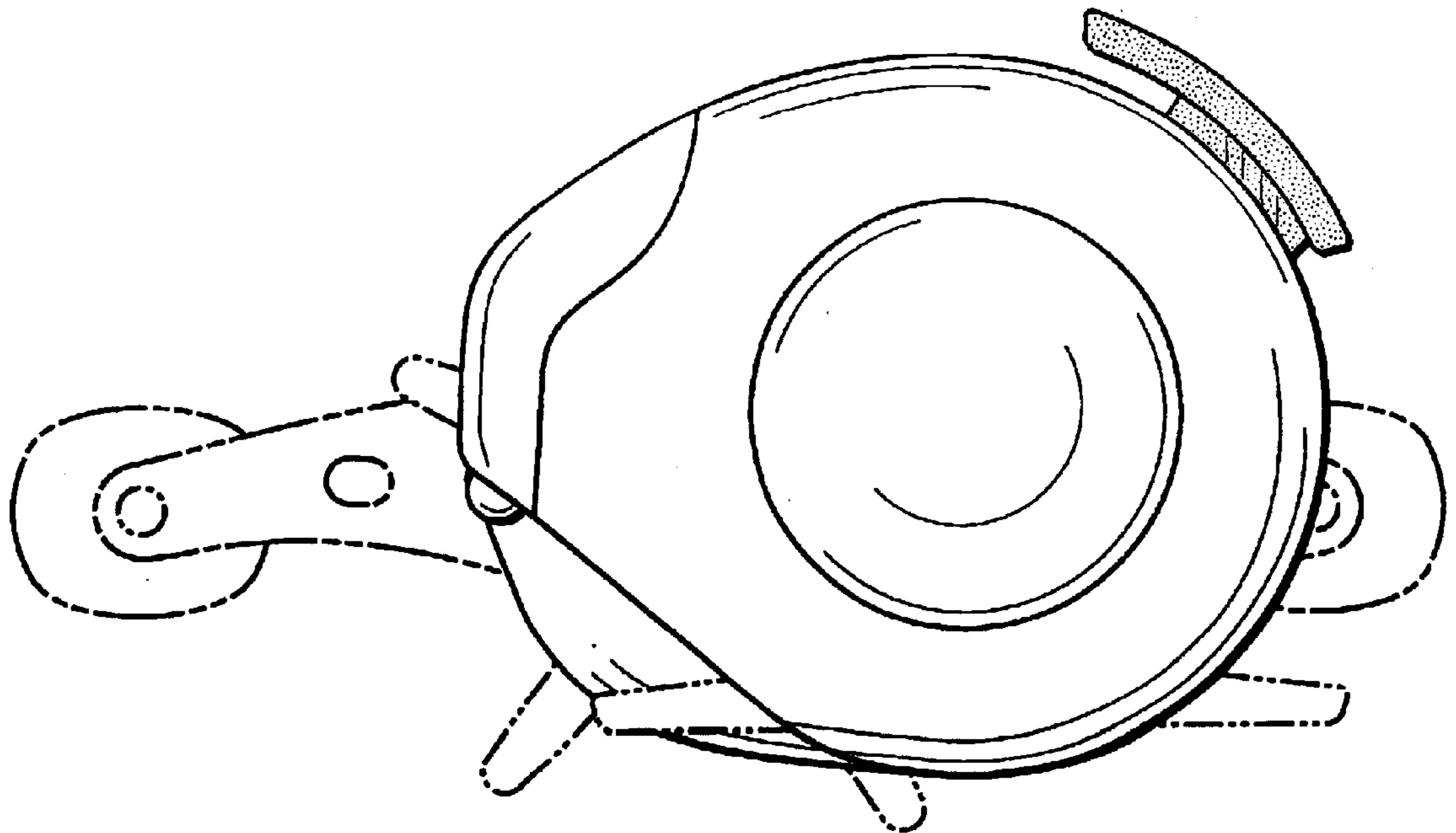


Fig. 4

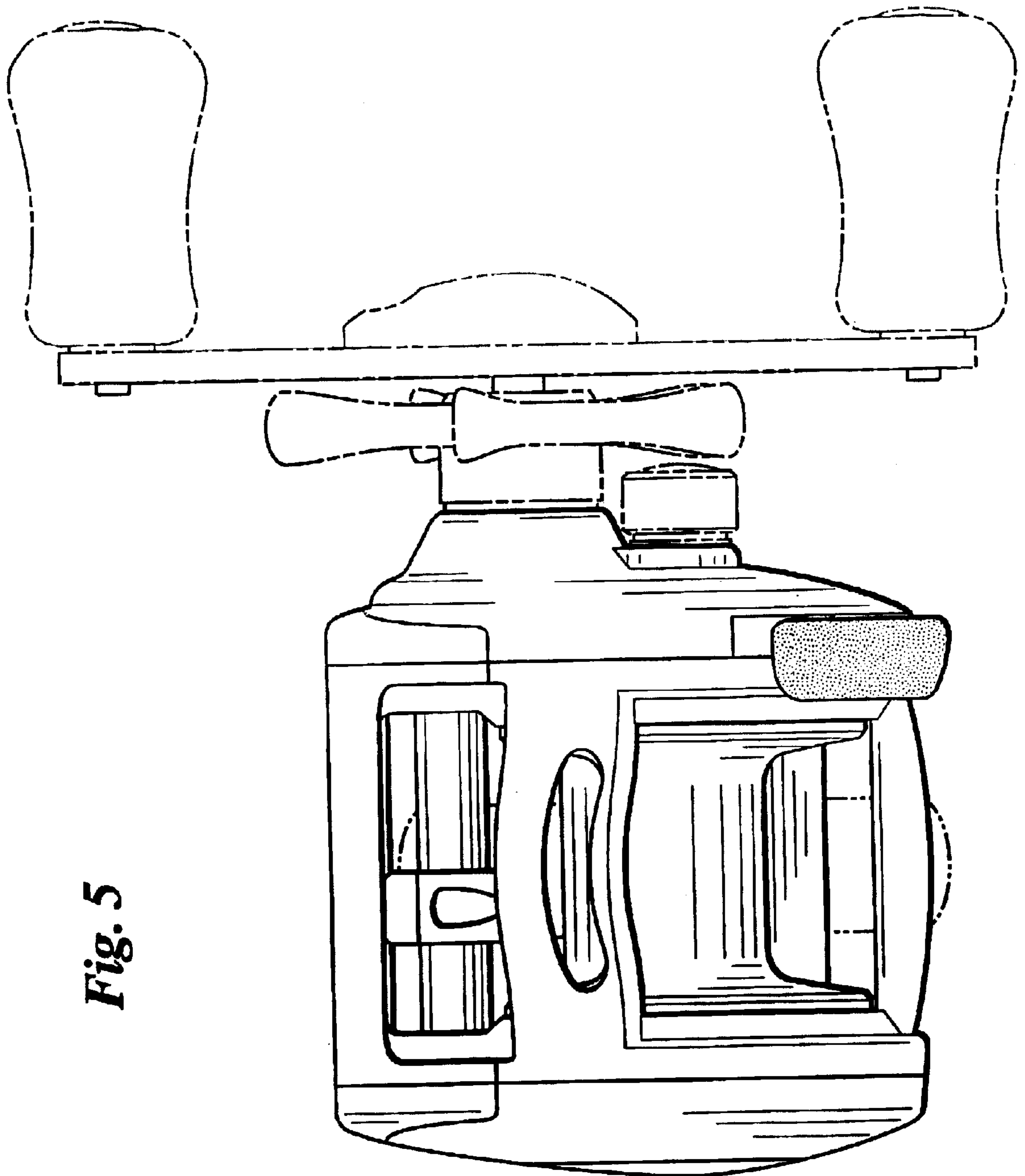


Fig. 5

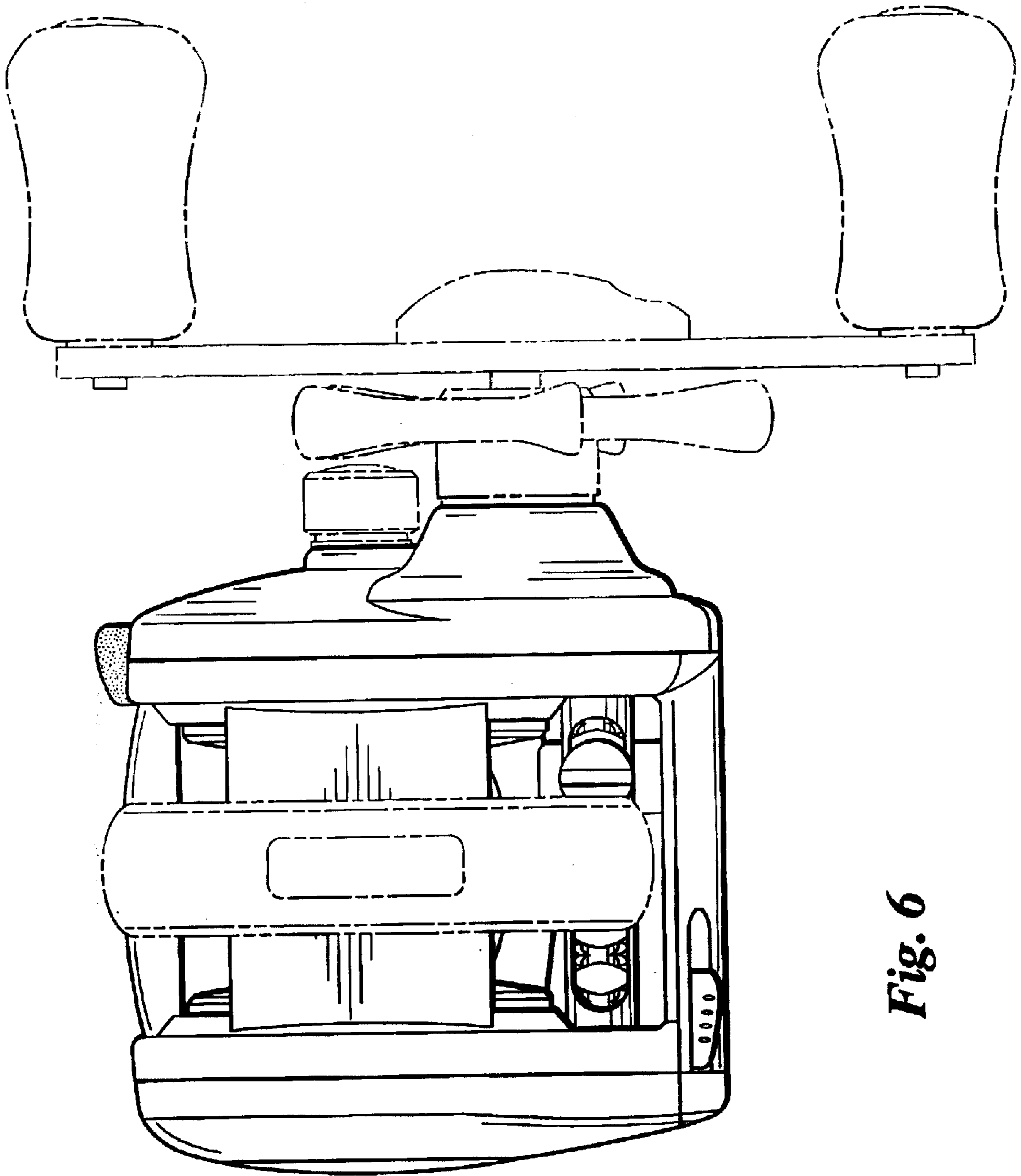


Fig. 6

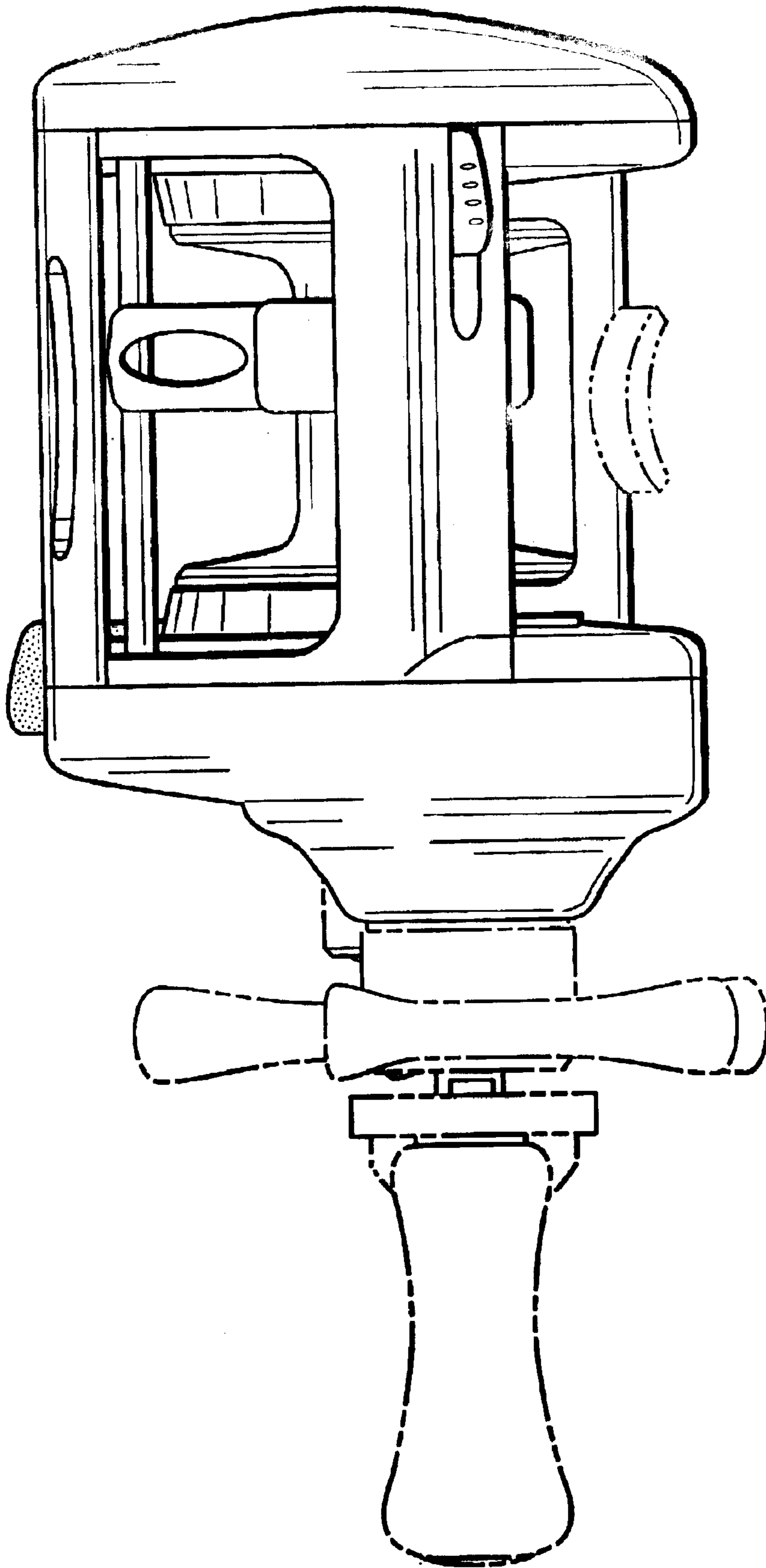


Fig. 7