



US00D491248S

(12) **United States Design Patent**
Ford

(10) **Patent No.:** **US D491,248 S**
(45) **Date of Patent:** **** Jun. 8, 2004**

(54) **DOWNRIGGER RELEASE AND CABLE TERMINATOR**

(75) Inventor: **Randolph K. Ford**, Stayner (CA)

(73) Assignee: **Walker Downriggers, Inc.**, Stayner (CA)

(**) Term: **14 Years**

(21) Appl. No.: **29/175,702**

(22) Filed: **Feb. 7, 2003**

(51) **LOC (7) Cl.** **22-05**

(52) **U.S. Cl.** **D22/134**

(58) **Field of Search** D22/134, 149, D22/199; 43/17.2, 43.12, 43.11, 43.1, 25

(56) **References Cited**

U.S. PATENT DOCUMENTS

4,069,611	A	*	1/1978	Dusich et al.	43/43.12
D247,300	S	*	2/1978	Dusich et al.	D22/134
5,337,510	A	*	8/1994	McCue	43/43.12
5,454,184	A	*	10/1995	Pirkle	43/43.12
D381,390	S	*	7/1997	Stotesbury et al.	D22/134

* cited by examiner

Primary Examiner—Catherine R. Oliver

(74) *Attorney, Agent, or Firm*—Olson & Hierl, Ltd.

(57) **CLAIM**

The ornamental design for a downrigger release and cable terminator, as shown and described.

DESCRIPTION

FIG. 1 is a perspective view of a downrigger release and

cable terminator of the present invention, the broken lines shown therein being for illustrative purposes only and forming no part of the claimed design;

FIG. 2 is an opposite side perspective view of the downrigger release and cable terminator, the broken lines shown therein being for illustrative purposes only and forming no part of the claimed design;

FIG. 3 is a top plan view of the downrigger release and cable terminator, the broken lines shown therein being for illustrative purposes only and forming no part of the claimed design;

FIG. 4 is a side elevational view of the downrigger release and cable terminator, the broken lines shown therein being for illustrative purposes only and forming no part of the claimed design;

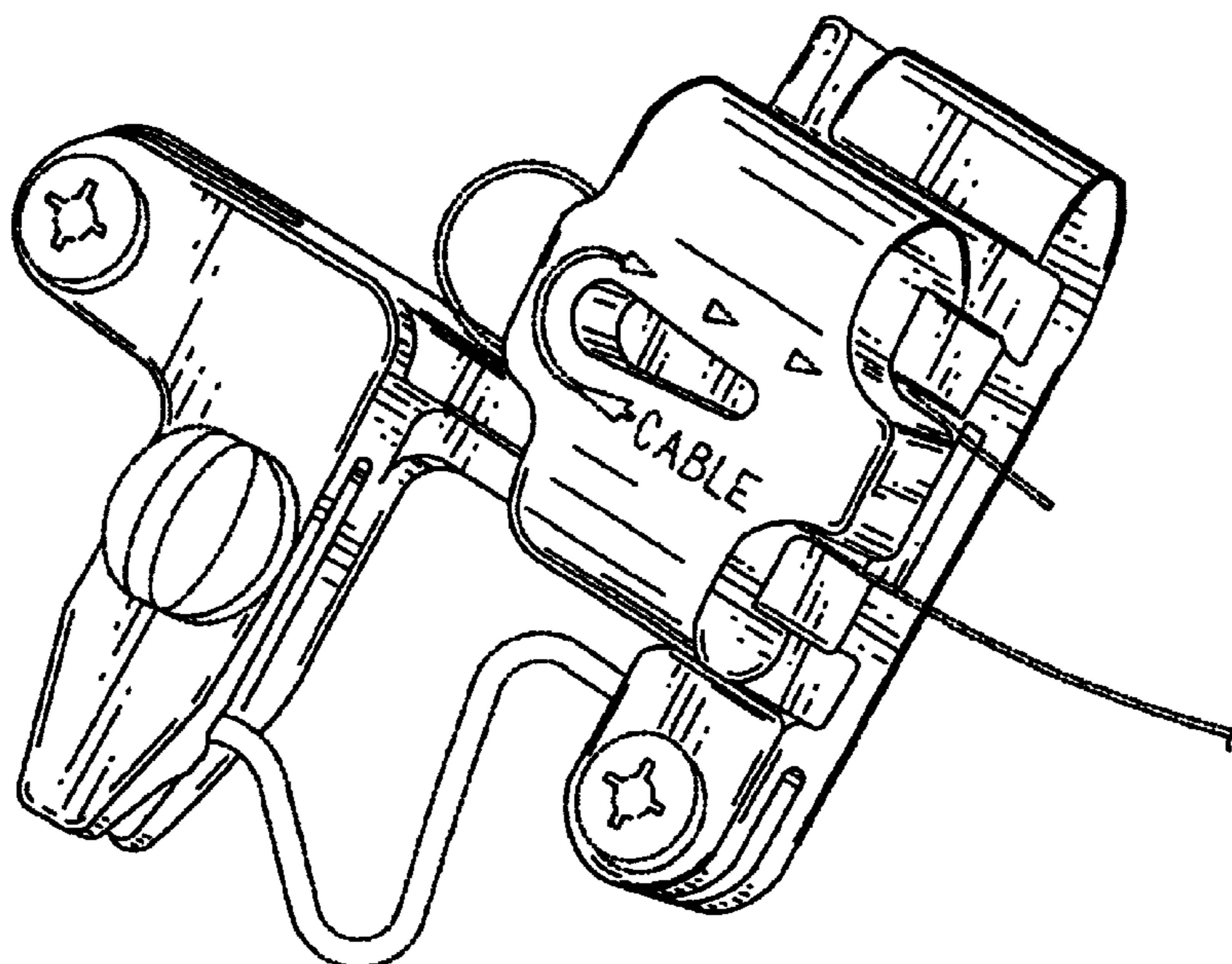
FIG. 5 is a front elevational view of the downrigger release and cable terminator, the broken lines shown therein being for illustrative purposes only and forming no part of the claimed design;

FIG. 6 is an opposite side elevational view of the downrigger release and cable terminator, the broken lines shown therein being for illustrative purposes only and forming no part of the claimed design;

FIG. 7 is a bottom plan view of the downrigger release and cable terminator, the broken lines shown therein being for illustrative purposes only and forming no part of the claimed design; and,

FIG. 8 is a rear elevational view of the downrigger release and cable terminator, the broken lines shown therein being for illustrative purposes only and forming no part of the claimed design.

1 Claim, 3 Drawing Sheets



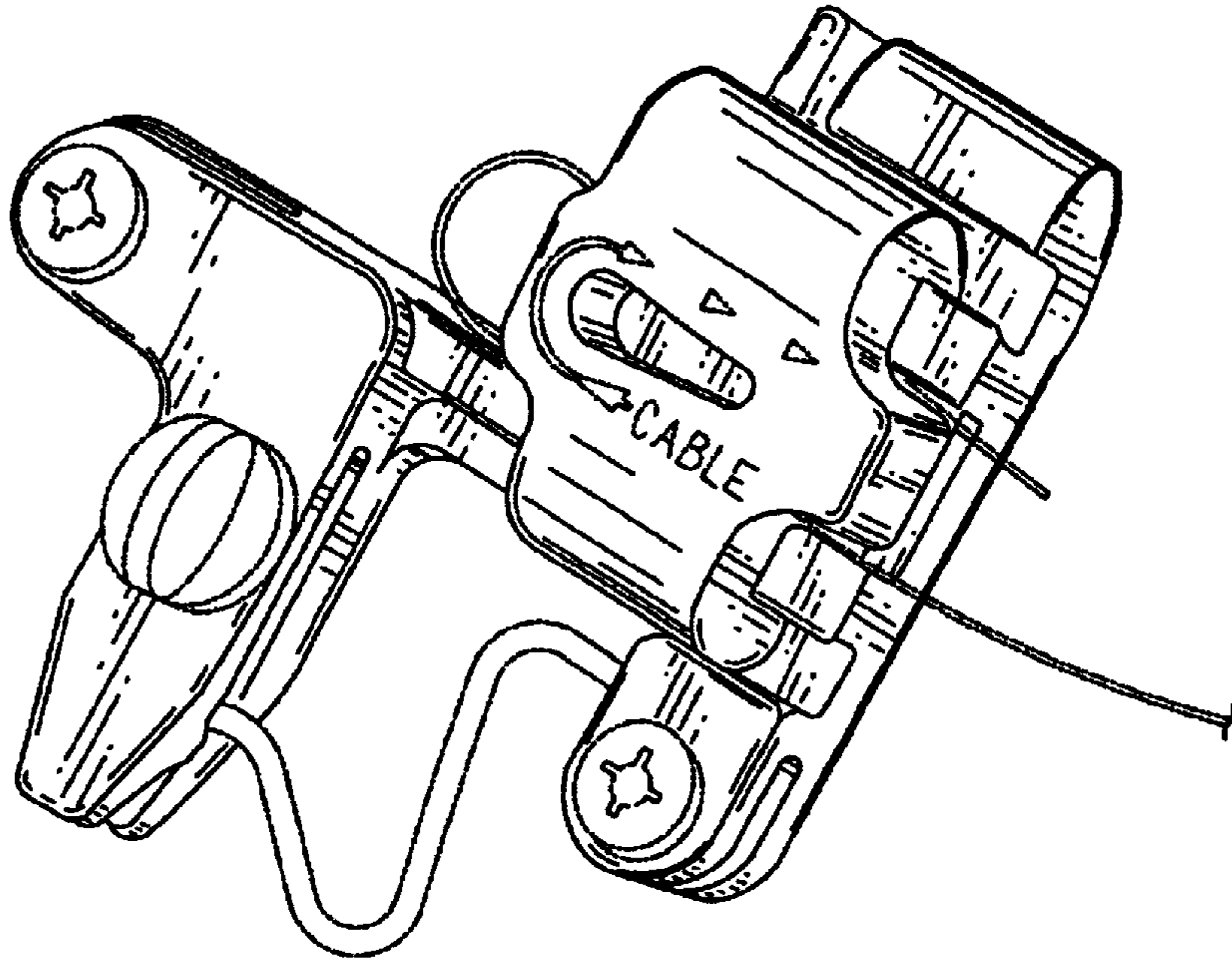


FIG. 1

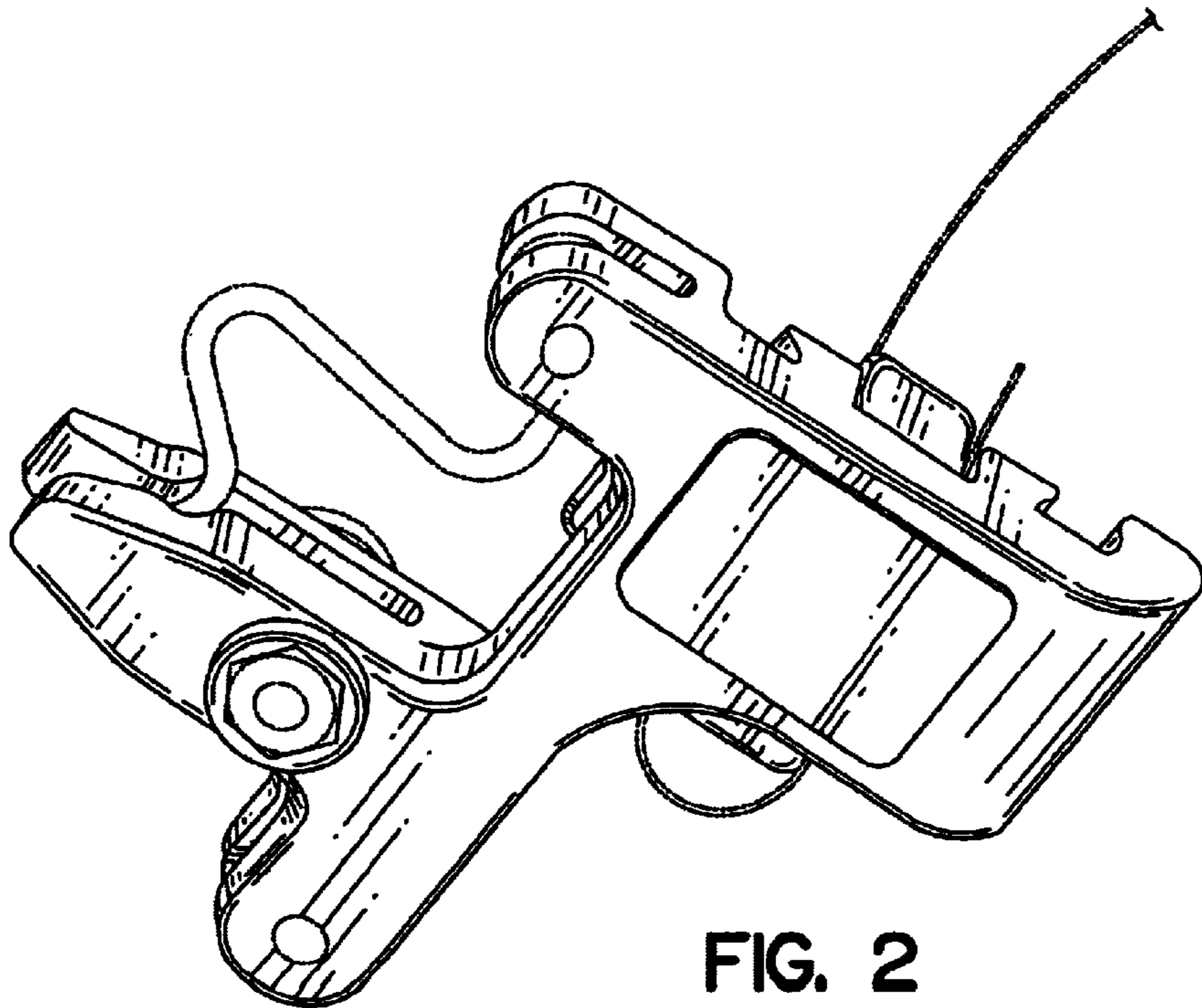


FIG. 2

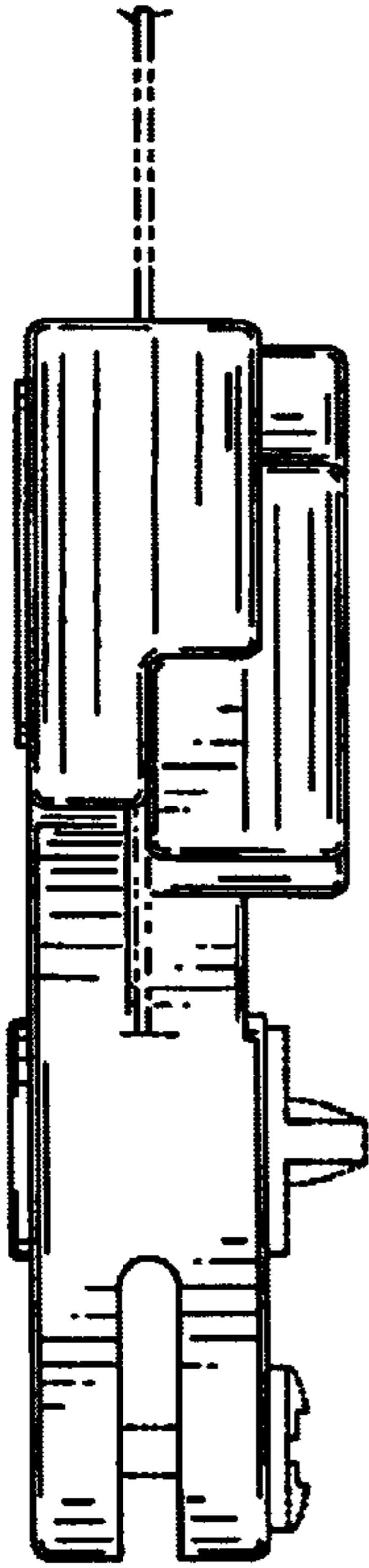


FIG. 3

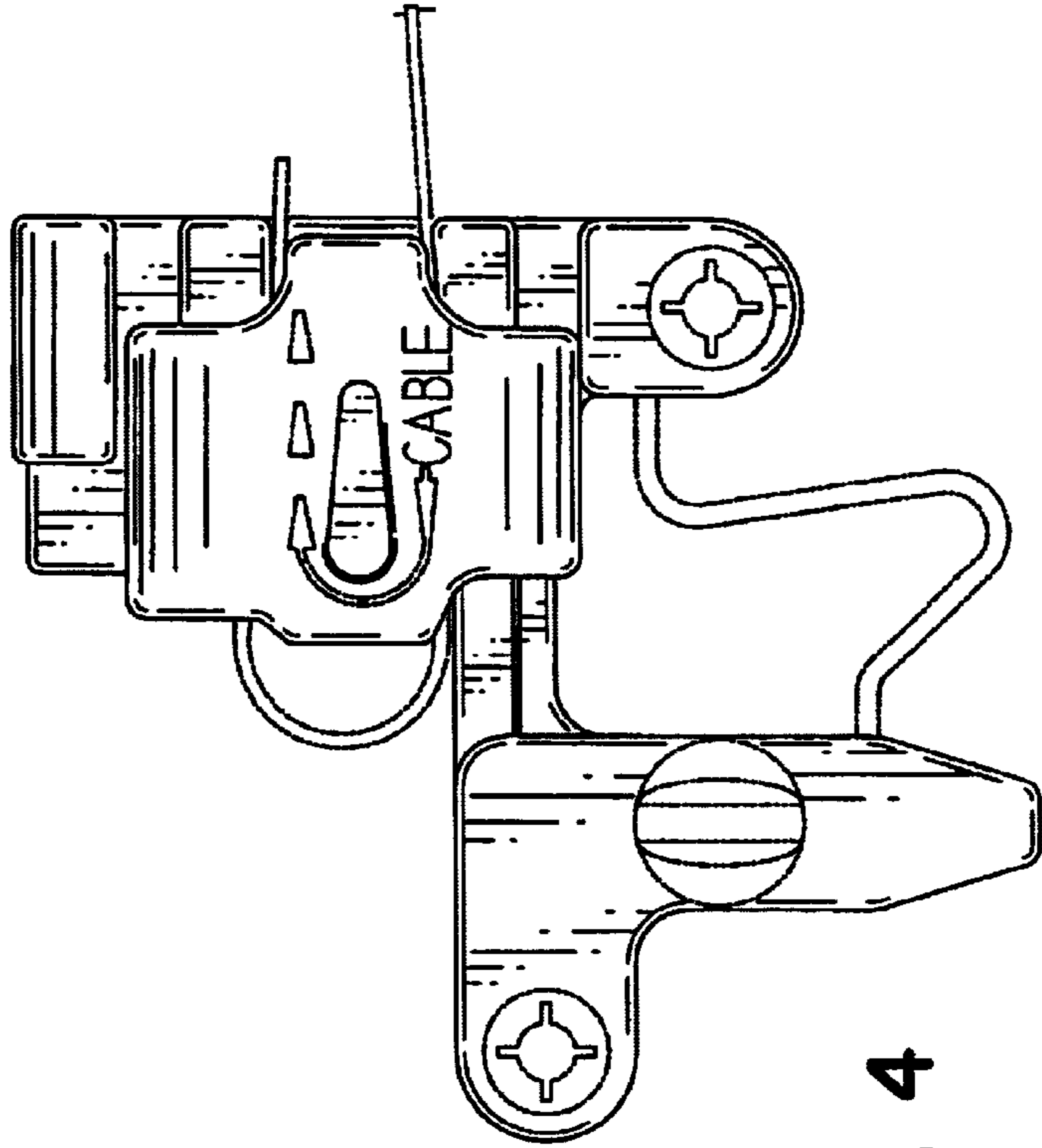


FIG. 4

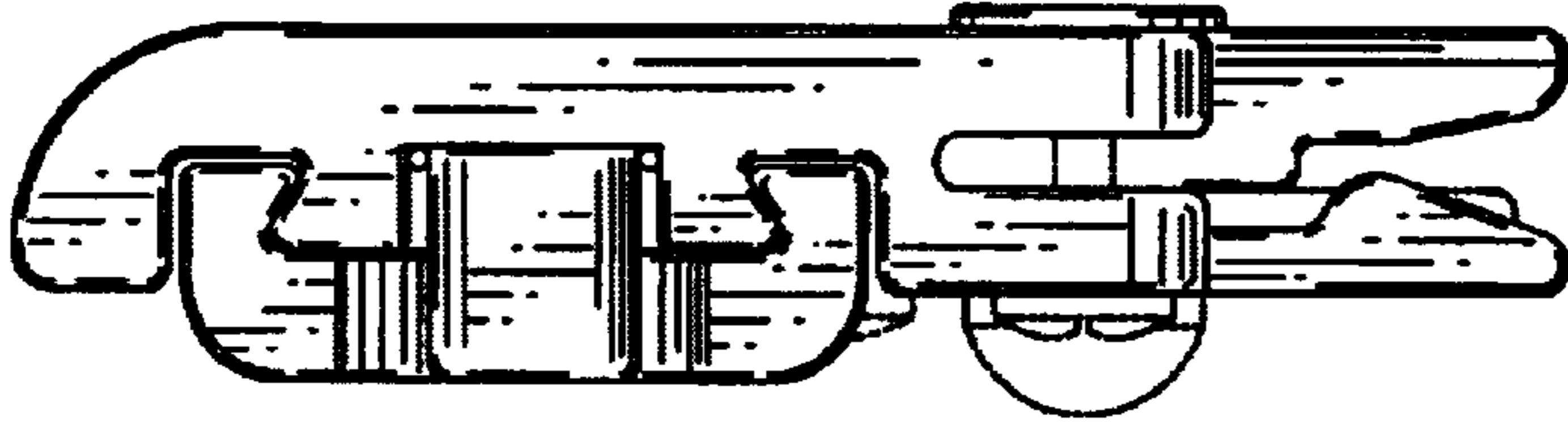


FIG. 5

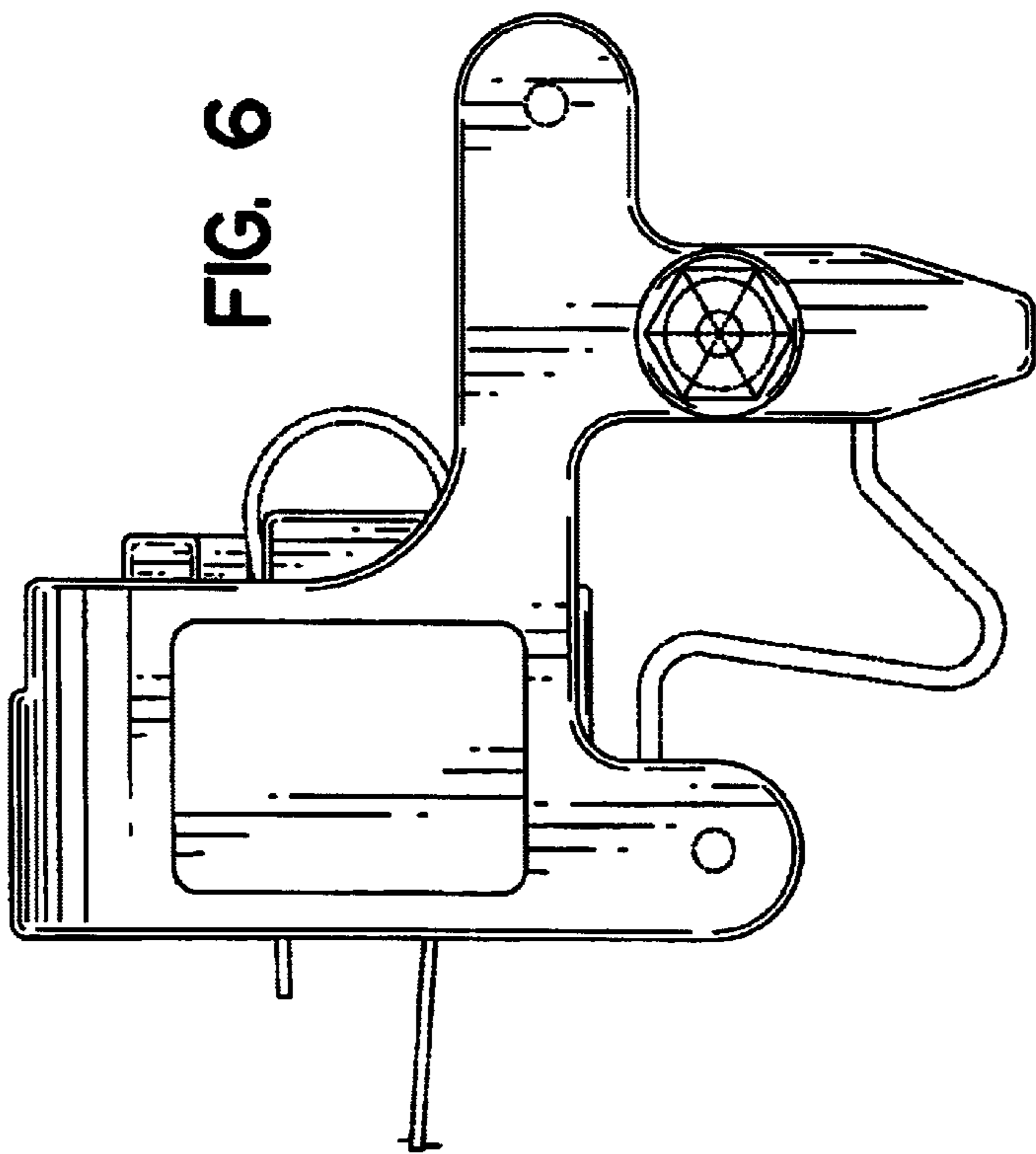


FIG. 6

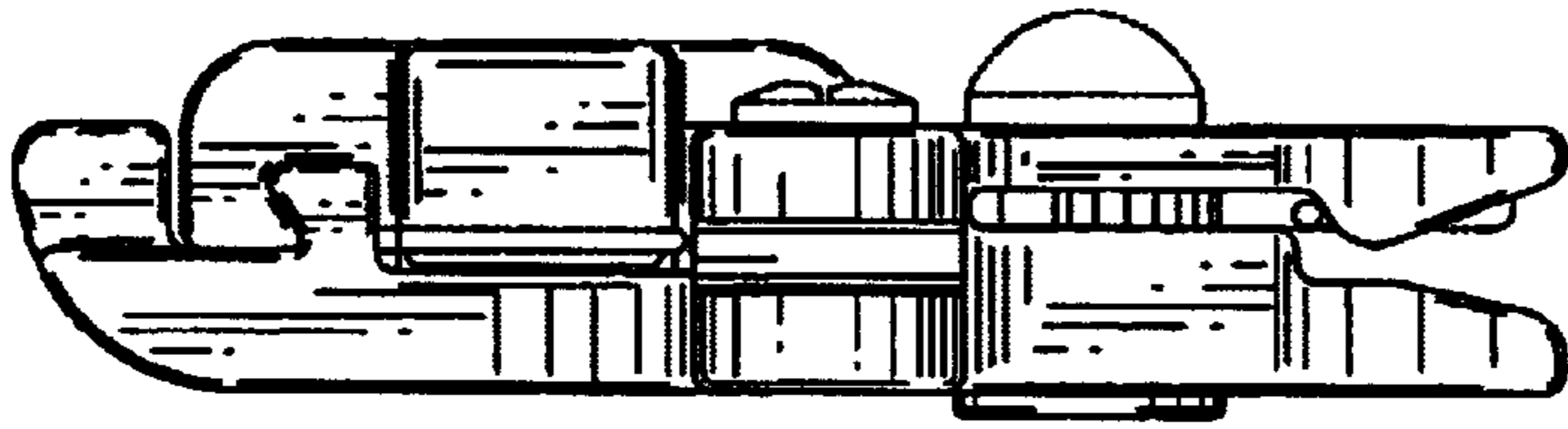


FIG. 8

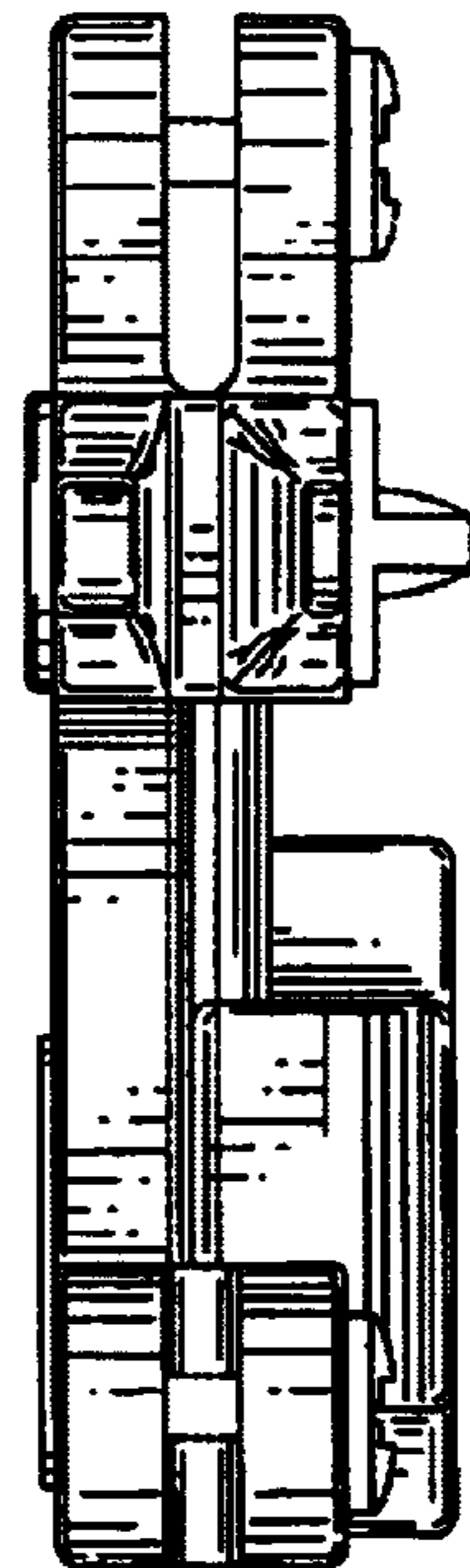


FIG. 7