



US00D491245S

(12) **United States Design Patent**  
**Newhouse**

(10) **Patent No.:** **US D491,245 S**

(45) **Date of Patent:** **\*\* Jun. 8, 2004**

(54) **BILLIARD TABLE**

(75) Inventor: **Thomas J. Newhouse**, Grand Rapids, MI (US)

(73) Assignee: **Brunswick Bowling & Billiards Corporation**, Muskegon, MI (US)

(\*\*) Term: **14 Years**

(21) Appl. No.: **29/179,591**

(22) Filed: **Apr. 11, 2003**

(51) **LOC (7) Cl.** ..... **06-03**

(52) **U.S. Cl.** ..... **D21/784**

(58) **Field of Search** ..... D21/783, 784;  
473/1, 4, 6, 7, 28, 29; D6/480, 329, 422

(56) **References Cited**

**U.S. PATENT DOCUMENTS**

43,465 A	7/1864	Maher	
187,878 A	2/1877	Marsden	
D122,580 S	9/1940	Wendt	
D148,119 S	12/1947	Anderson et al.	
3,180,842 A *	4/1965	Neville et al.	528/402
D204,276 S	4/1966	Braun	
D208,257 S	8/1967	Kotler	
D219,390 S	12/1970	Johnson	

D230,491 S	2/1974	Heiss	
3,881,727 A *	5/1975	Olson	473/4
D259,651 S	6/1981	Kaye	
D319,279 S	8/1991	Kaye	
D319,484 S	8/1991	Hull et al.	
5,161,797 A	11/1992	Frasca	
D348,916 S	7/1994	Powers	
D446,275 S *	8/2001	Murrey	D21/784
D473,278 S *	4/2003	McCormick et al.	D21/784

\* cited by examiner

*Primary Examiner*—Prabhakar Deshmukh

(74) *Attorney, Agent, or Firm*—Dykema Gossett PLLC

(57) **CLAIM**

The ornamental design for a billiard table, as shown and described.

**DESCRIPTION**

FIG. 1 is a perspective view of a billiard table, showing my new design;

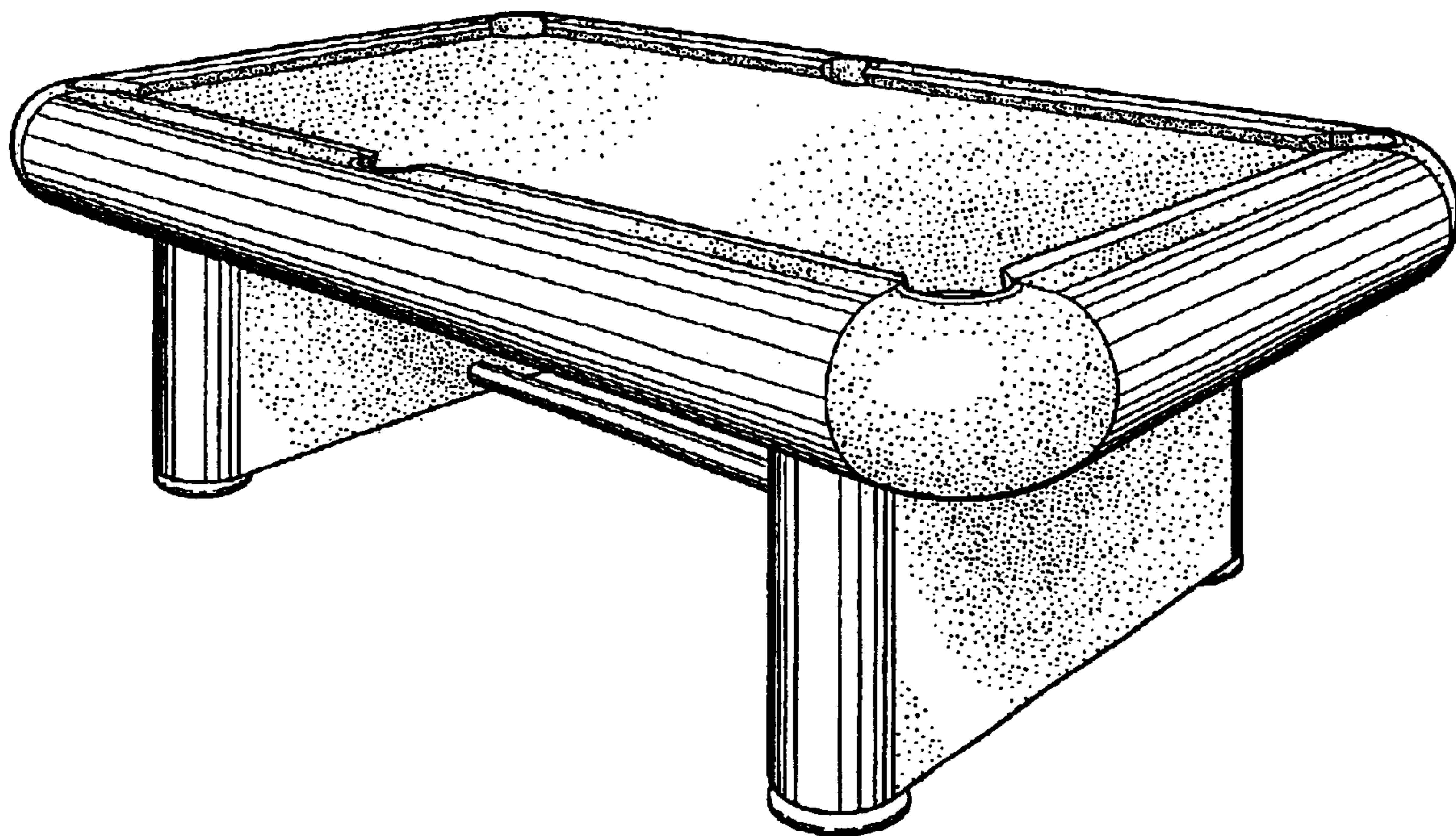
FIG. 2 is a right-hand side elevational view, wherein the left-hand side elevational view is substantially identical;

FIG. 3 is an end elevational view, wherein the opposite end elevational view is substantially identical;

FIG. 4 is a top plan view; and,

FIG. 5 is a bottom plan view thereof.

**1 Claim, 4 Drawing Sheets**



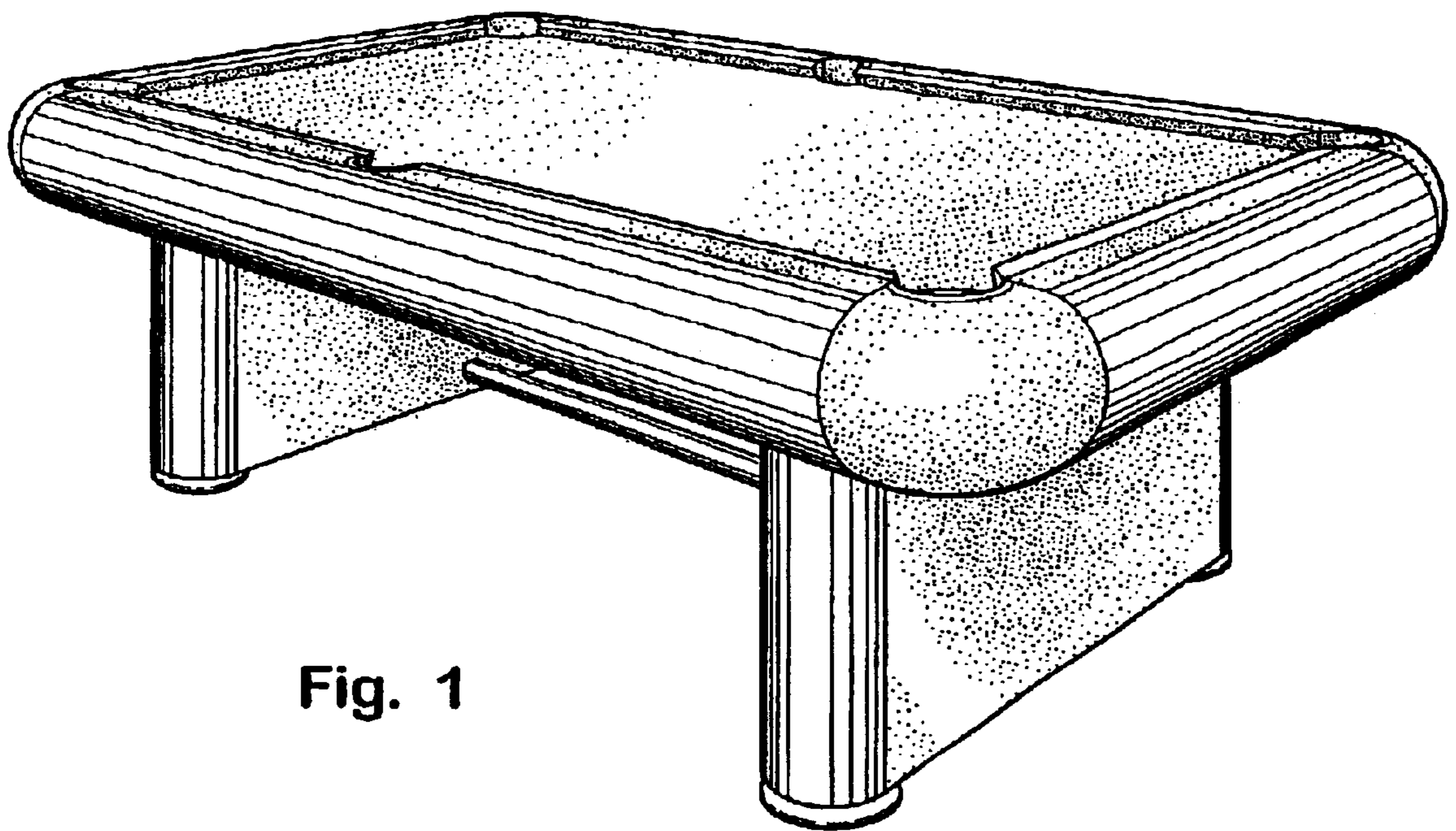


Fig. 1

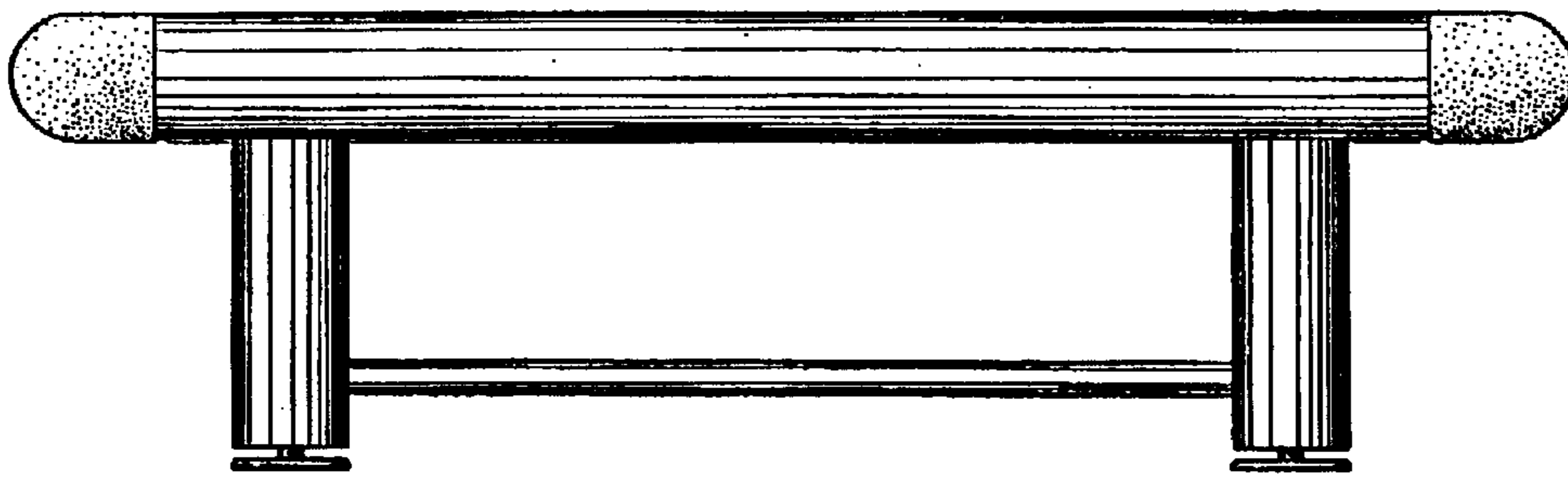


Fig. 2

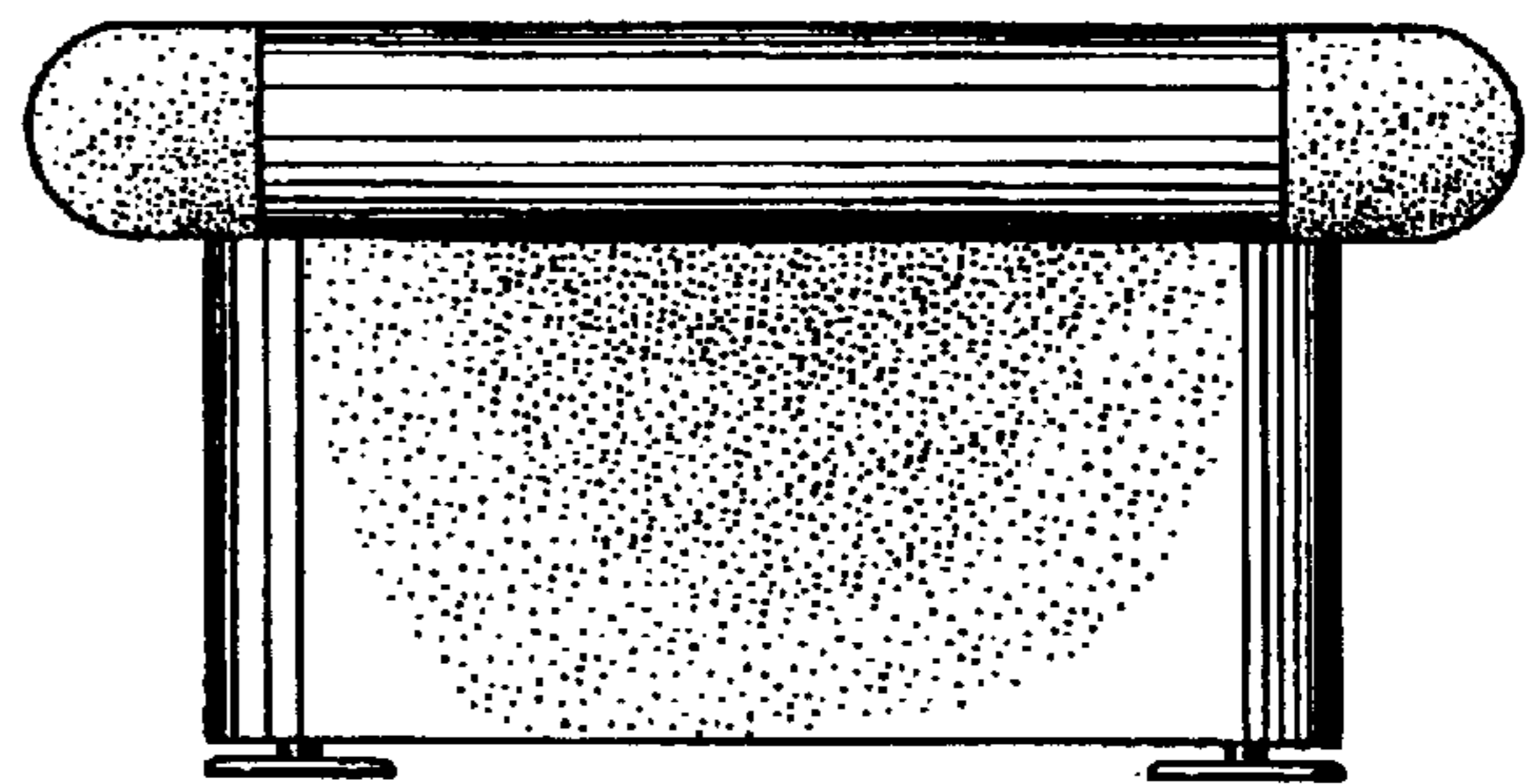


Fig. 3

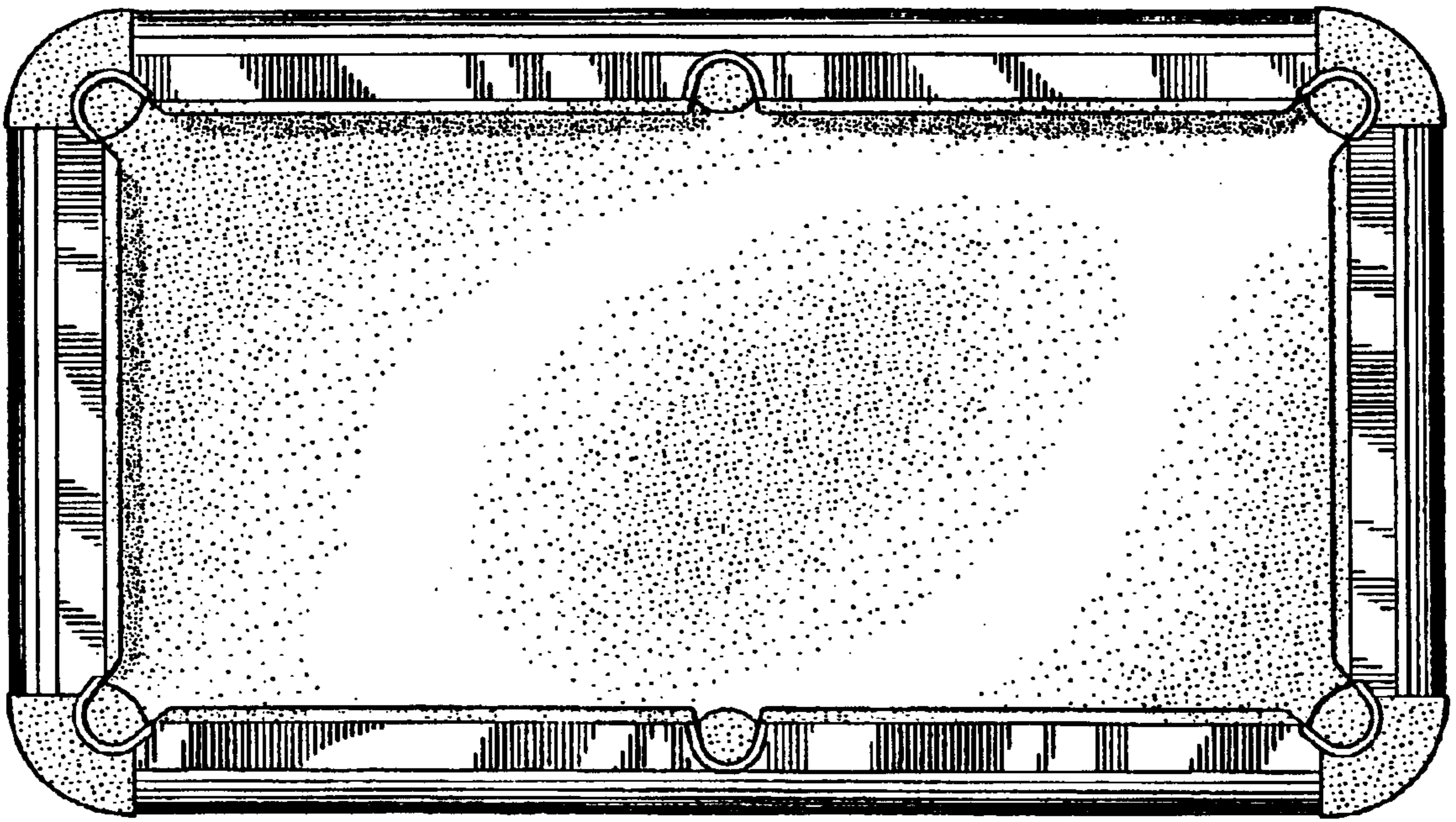


Fig. 4

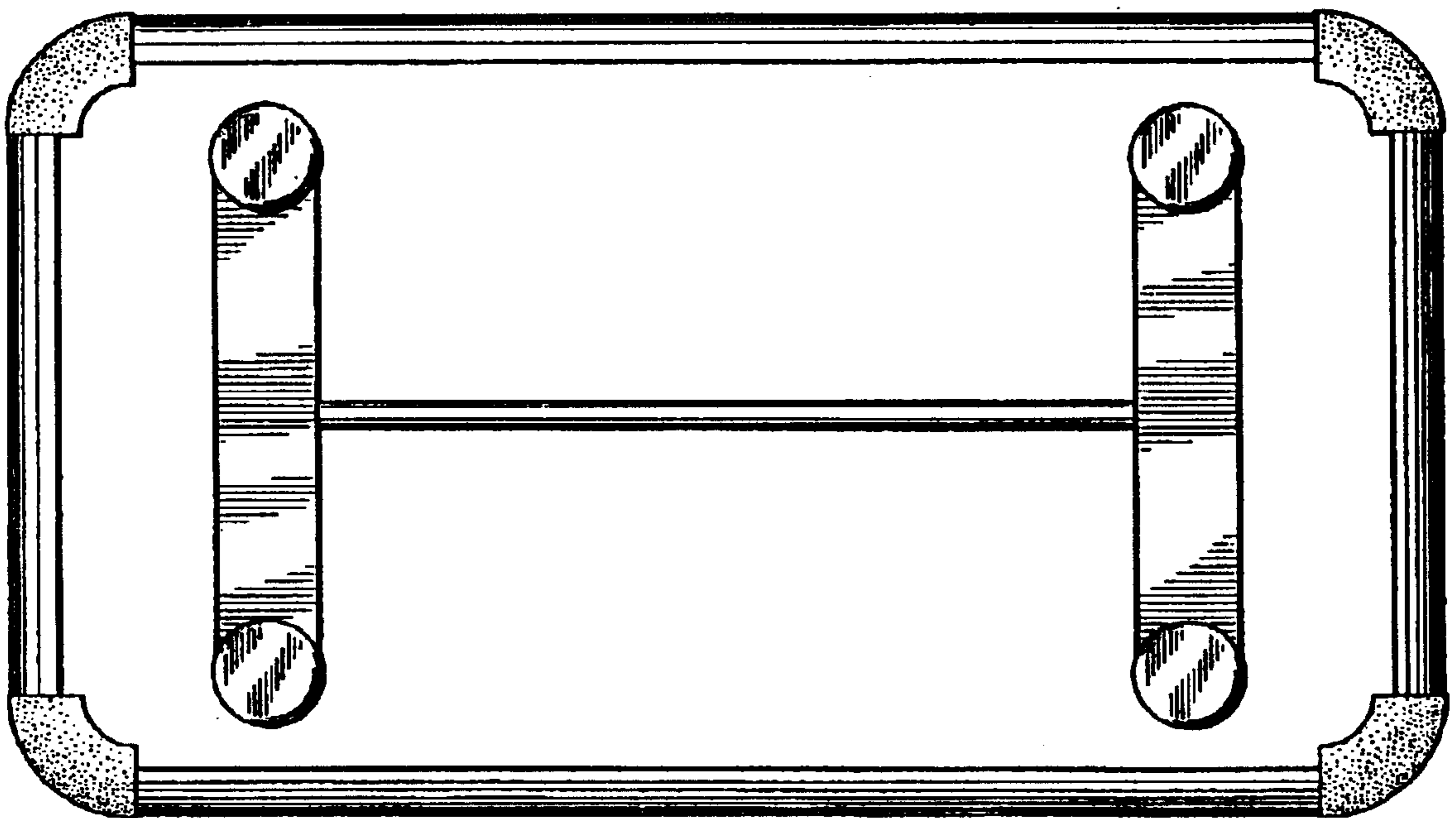


Fig. 5