



US00D491238S

(12) **United States Design Patent**
Giannelli et al.

(10) **Patent No.:** **US D491,238 S**
(45) **Date of Patent:** **** Jun. 8, 2004**

(54) **OVERHEAD PRESS EXERCISE MACHINE**

(75) Inventors: **Raymond Giannelli**, Franklin, MA (US); **Dennis A. Hillson**, Blooming Prairie, MN (US)

(73) Assignee: **Cybex International, Inc.**, Medway, MA (US)

(**) Term: **14 Years**

(21) Appl. No.: **29/176,517**

(22) Filed: **Feb. 21, 2003**

(51) **LOC (7) Cl.** **21-02**

(52) **U.S. Cl.** **D21/676; D21/675**

(58) **Field of Search** D21/673, 674, D21/675, 676; 482/94, 95, 96, 97, 98, 99, 100, 101, 102, 133

(56) **References Cited**

U.S. PATENT DOCUMENTS

- D239,301 S * 3/1976 Clarke D21/675
- 5,580,341 A 12/1996 Simonson 482/100
- 5,643,152 A * 7/1997 Simonson 482/100

- 5,667,464 A 9/1997 Simonson 482/92
- 5,971,896 A 10/1999 Giannelli et al. 482/100
- 6,152,864 A 11/2000 Giannelli et al. 482/100
- D440,610 S * 4/2001 Webber et al. D21/675
- 6,254,516 B1 7/2001 Giannelli et al. 482/100

* cited by examiner

Primary Examiner—Philip S. Hyder

(74) *Attorney, Agent, or Firm*—Kudirka & Jobse, LLP

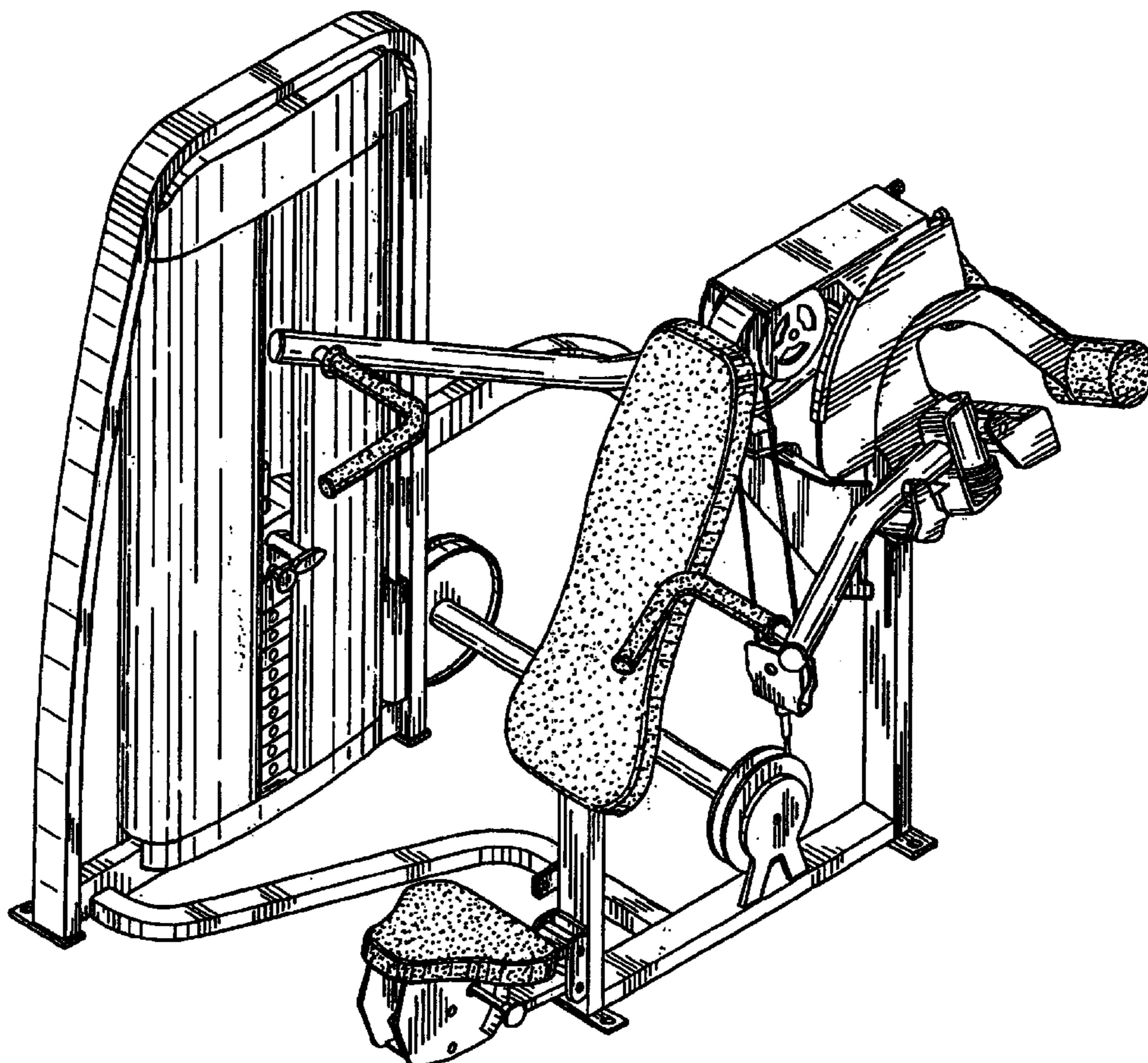
(57) **CLAIM**

The ornamental design for an overhead press exercise machine, as shown.

DESCRIPTION

FIG. 1 is a front perspective view of the overhead press exercise machine of the present invention; FIG. 2 is a right side view thereof; FIG. 3 is a left side view thereof; FIG. 4 is a front view thereof; FIG. 5 is a rear view thereof; FIG. 6 is a top view thereof; and, FIG. 7 is a bottom view thereof.

1 Claim, 7 Drawing Sheets



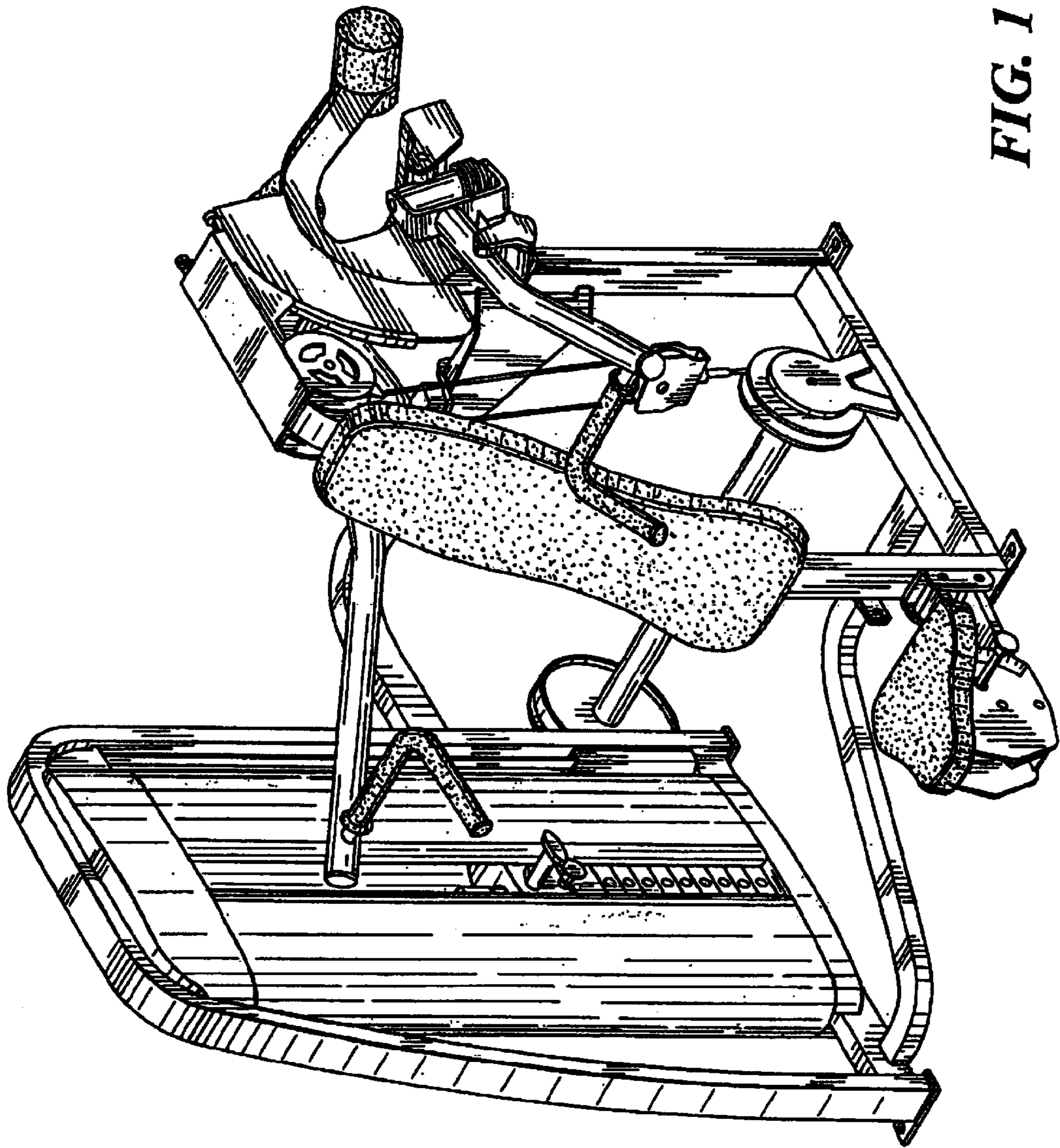


FIG. 1

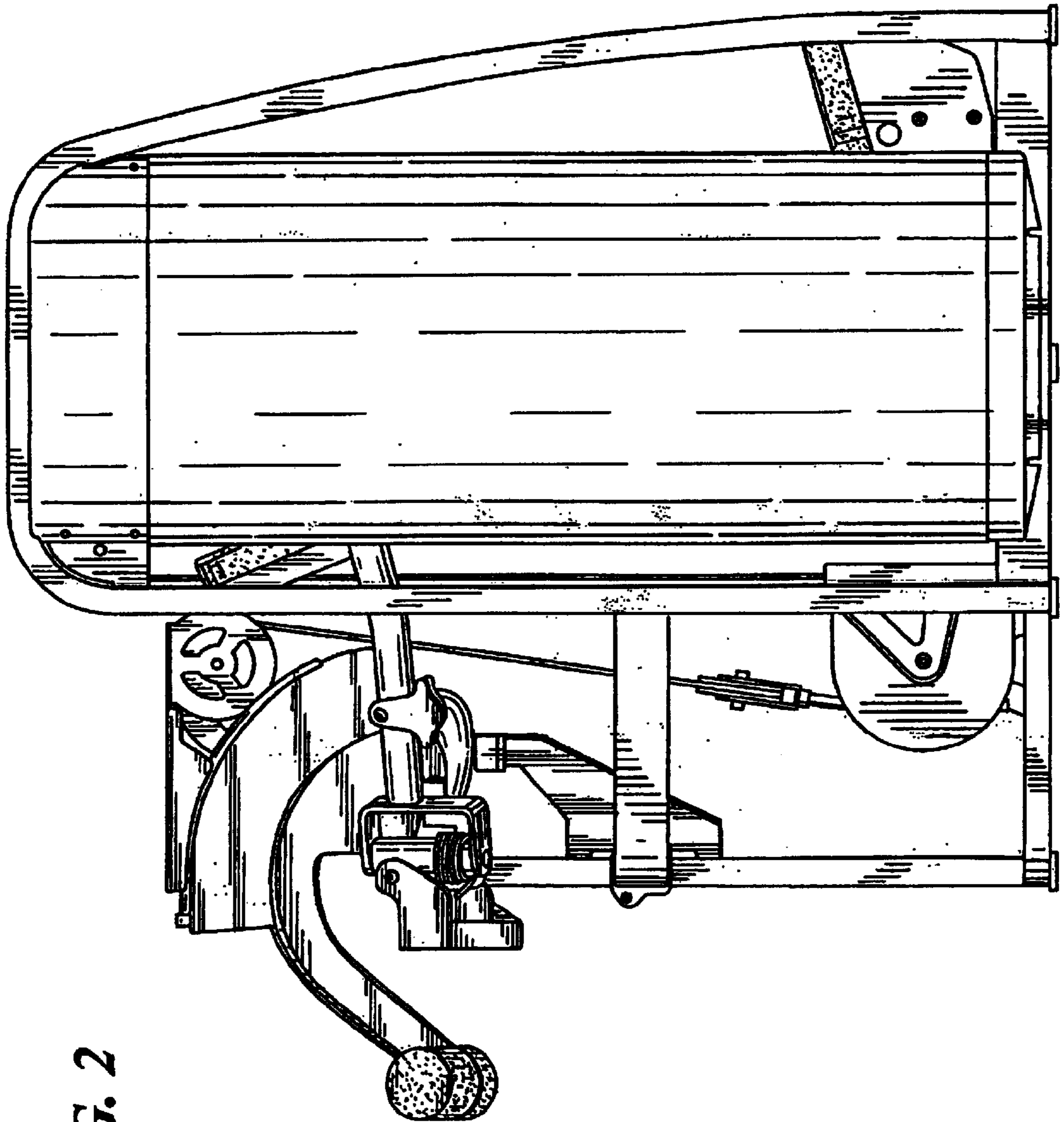


FIG. 2

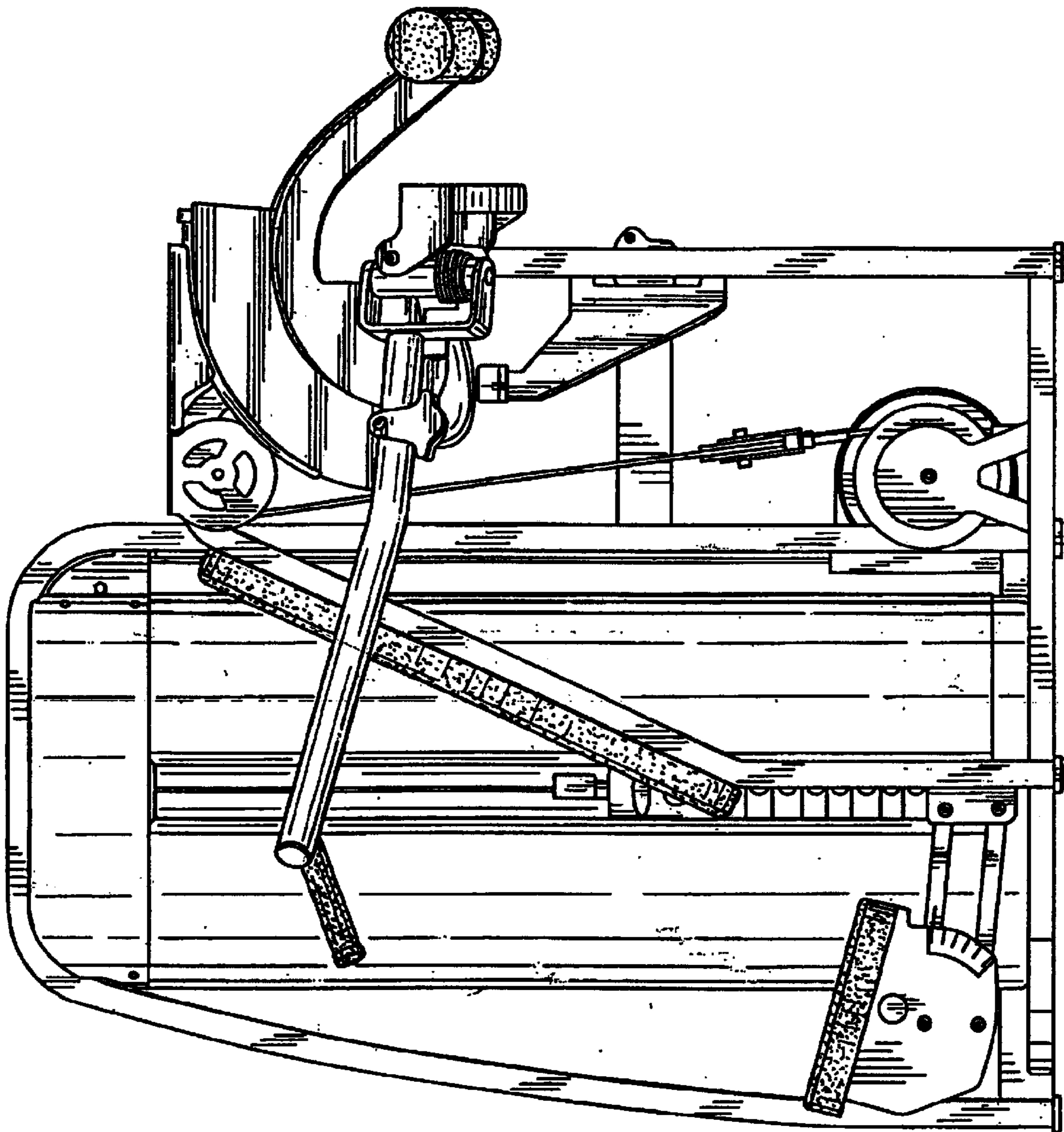


FIG. 3

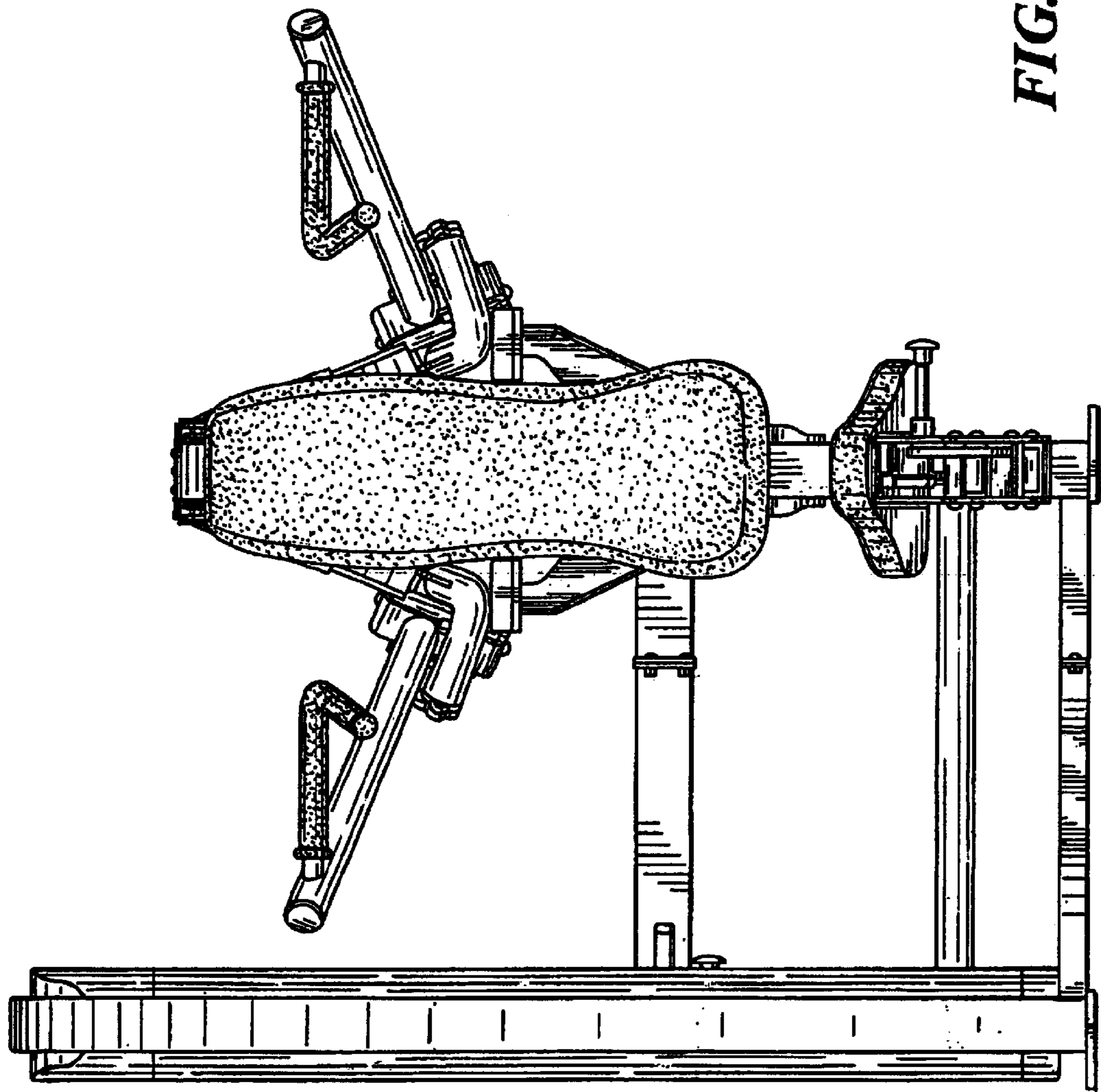


FIG. 4

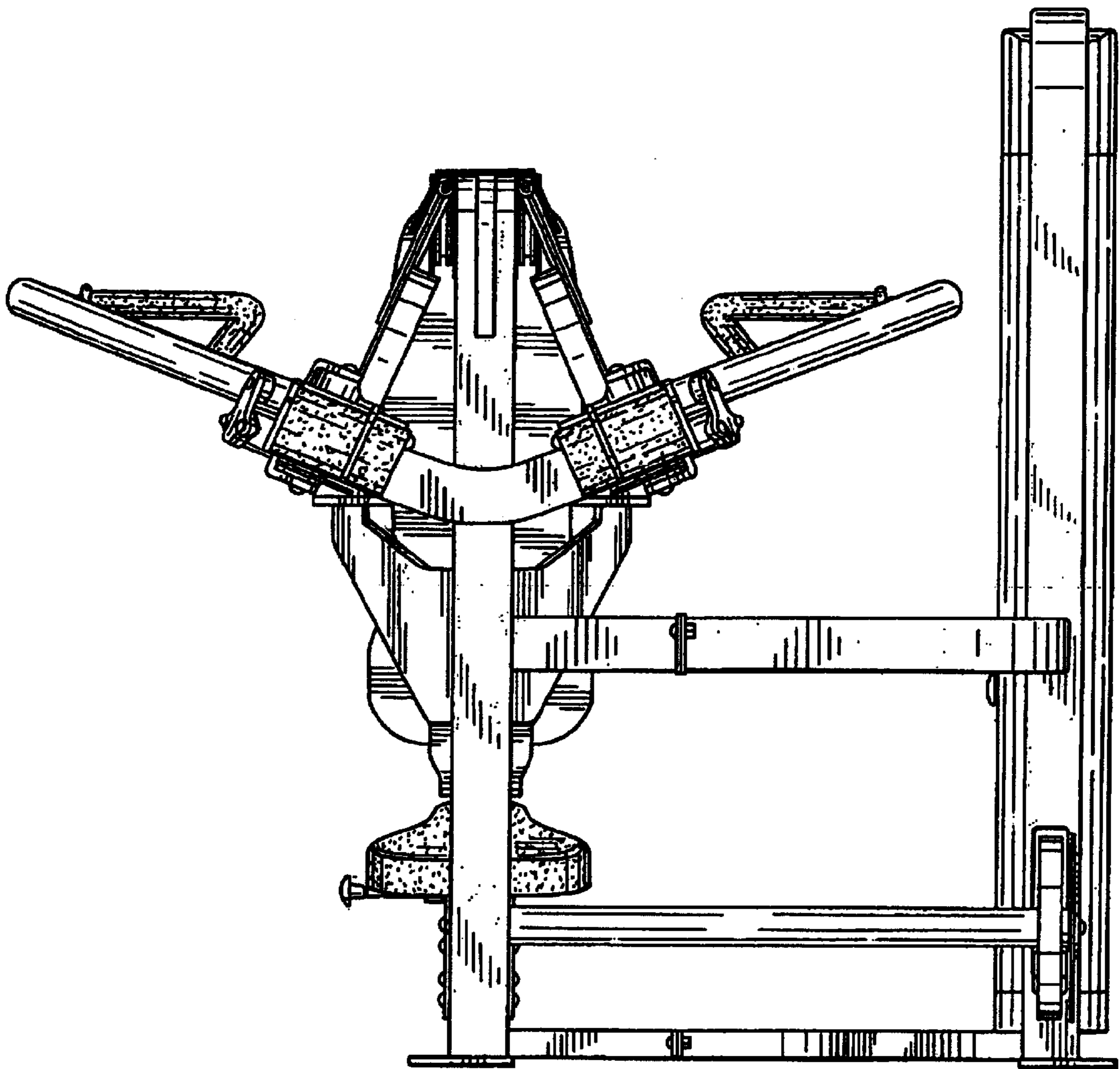


FIG. 5

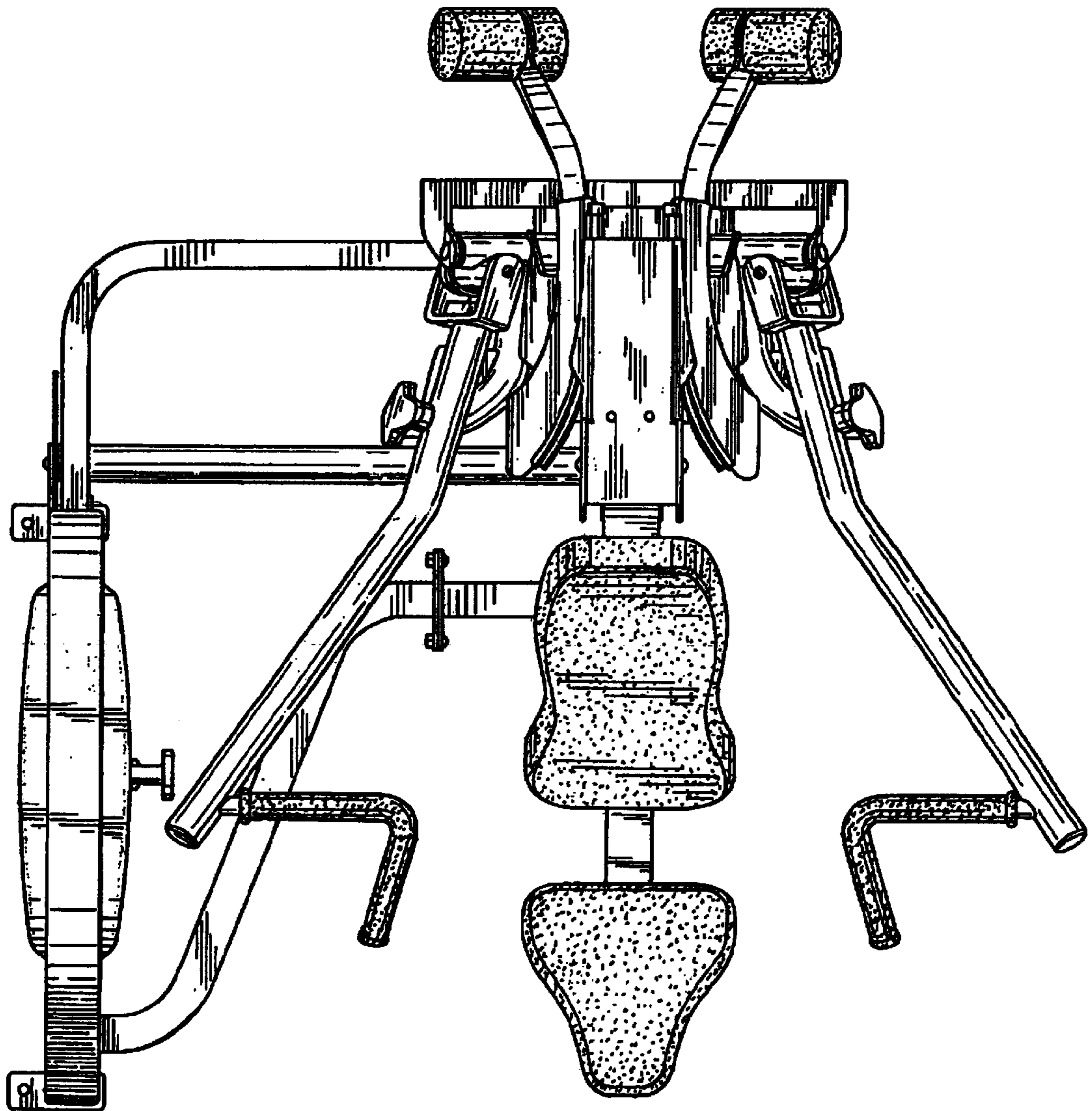


FIG. 6

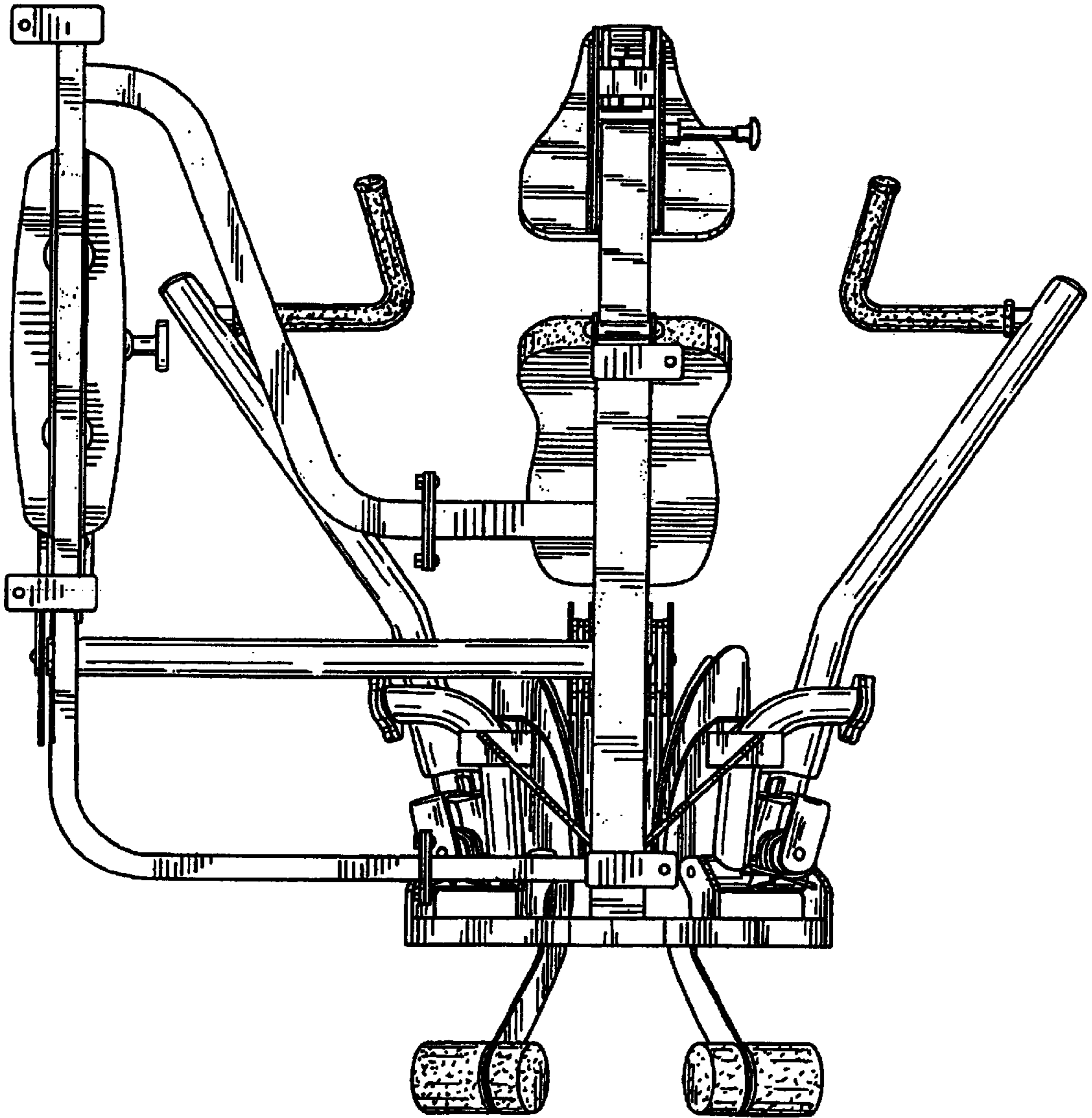


FIG. 7