



US00D491237S

(12) **United States Design Patent**
Giannelli et al.

(10) **Patent No.:** **US D491,237 S**
(45) **Date of Patent:** **** Jun. 8, 2004**

- (54) **GLUTEUS MUSCLE MACHINE**
- (75) Inventors: **Raymond Giannelli**, Franklin, MA (US); **Scott Lee**, Pomfret, CT (US)
- (73) Assignee: **Cybex International, Inc.**, Medway, MA (US)
- (**) Term: **14 Years**
- (21) Appl. No.: **29/176,516**
- (22) Filed: **Feb. 21, 2003**
- (51) **LOC (7) Cl.** **21-02**
- (52) **U.S. Cl.** **D21/676; D21/675**
- (58) **Field of Search** **D21/673, 674, D21/675, 676; 482/94, 95, 96, 97, 98, 99, 100, 101, 102, 133**

5,338,274 A	*	8/1994	Jones	482/100
5,356,360 A	*	10/1994	Johns	482/99
5,366,429 A	*	11/1994	Jones	482/136
5,776,084 A	*	7/1998	Wolan	601/26
5,938,575 A	*	8/1999	Stearns	482/140
6,354,982 B1	*	3/2002	Sencil	482/96

* cited by examiner

Primary Examiner—Philip S. Hyder
(74) *Attorney, Agent, or Firm*—Kudirka & Jobse, LLP

(57) **CLAIM**

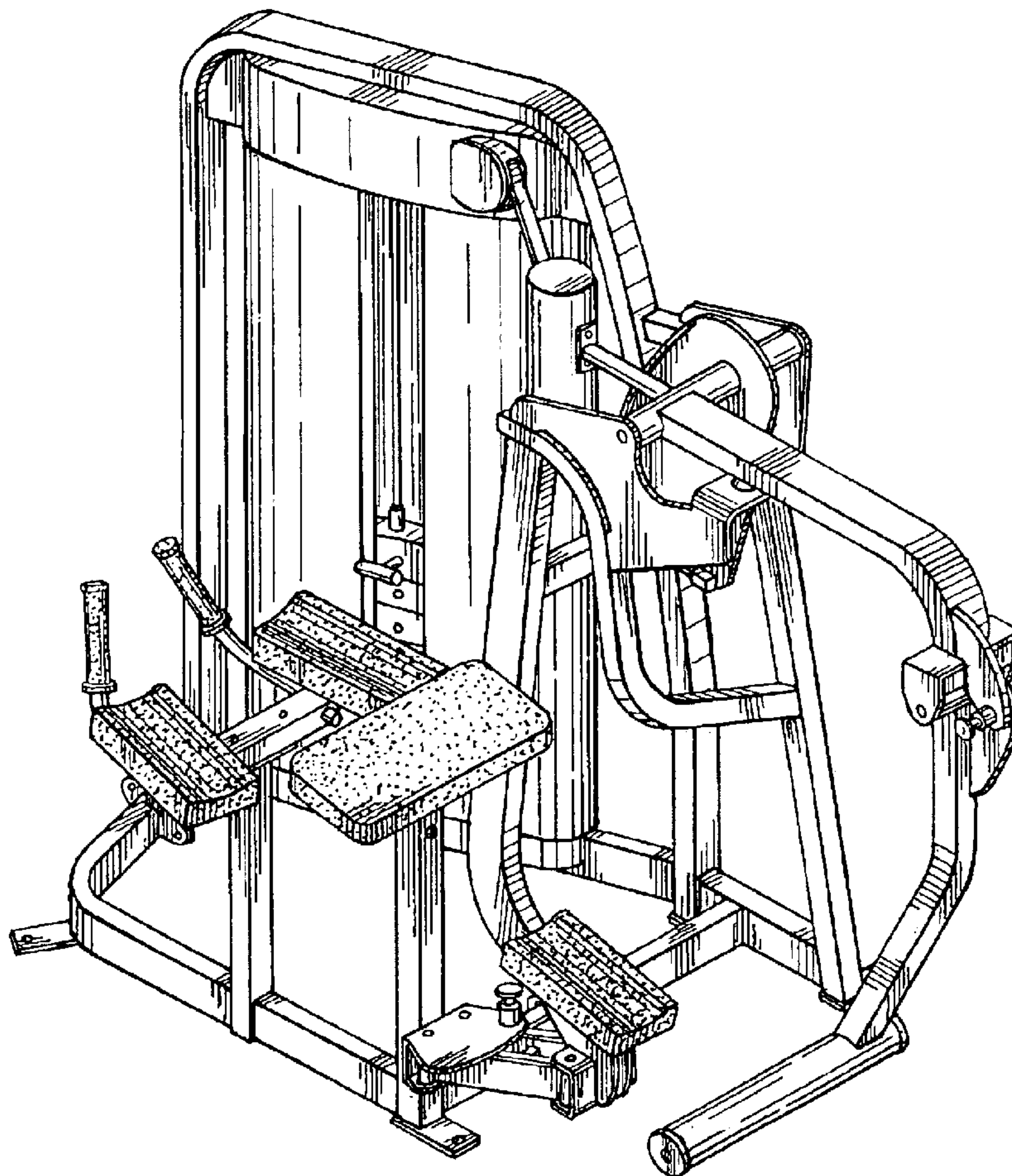
The ornamental design for a gluteus muscle machine, as shown.

DESCRIPTION

FIG. 1 is front perspective view of the gluteus muscle machine of the present invention; FIG. 2 is a left side view thereof; FIG. 3 is a right side view thereof; FIG. 4 is a front view thereof; FIG. 5 is a rear view thereof; and, FIG. 6 is a top view thereof.

- (56) **References Cited**
- U.S. PATENT DOCUMENTS**
- D239,641 S * 4/1976 Clarke D21/675
- D239,643 S * 4/1976 Clarke D21/675
- D321,391 S * 11/1991 Jones D21/676

1 Claim, 6 Drawing Sheets



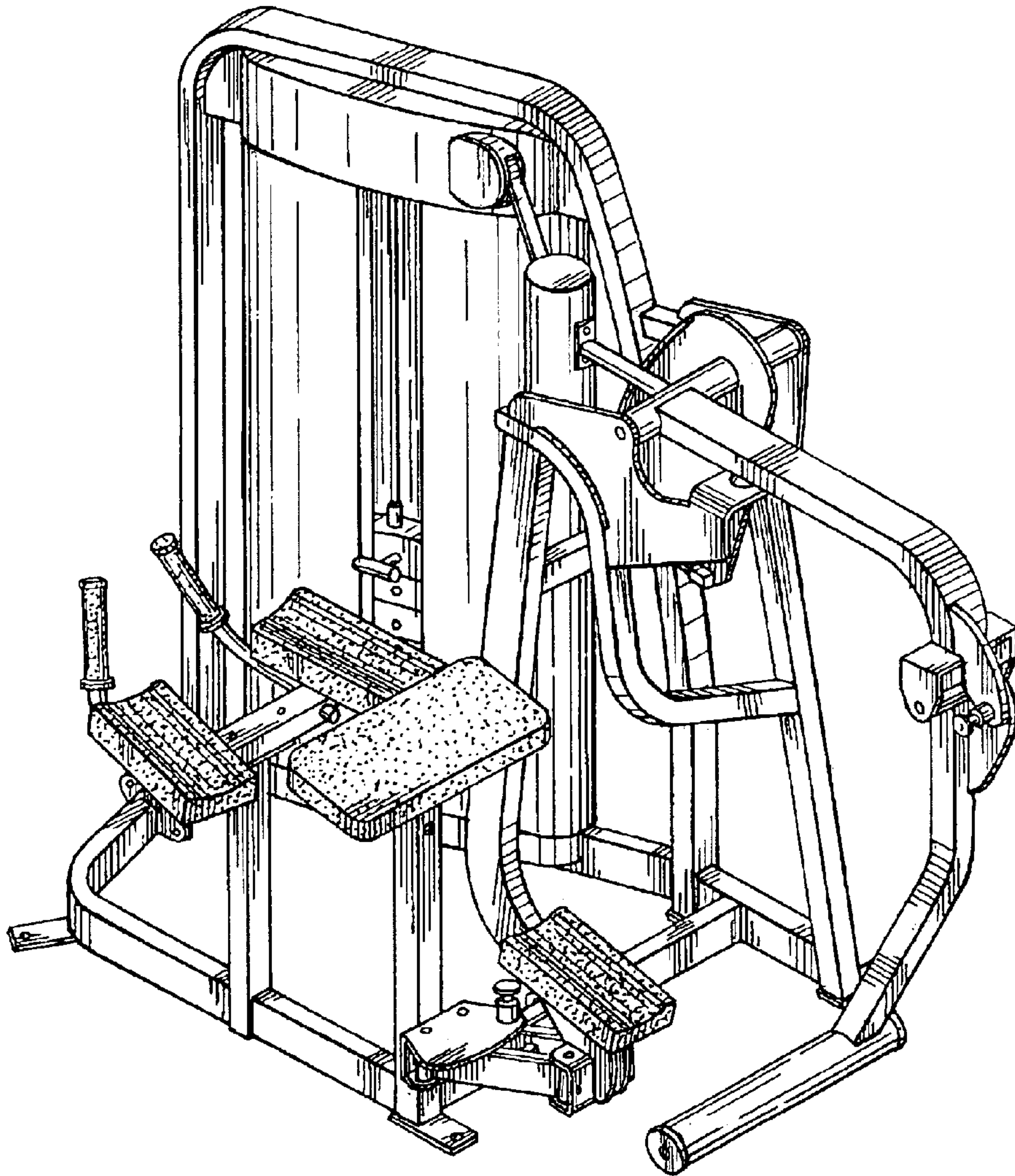


FIG. 1

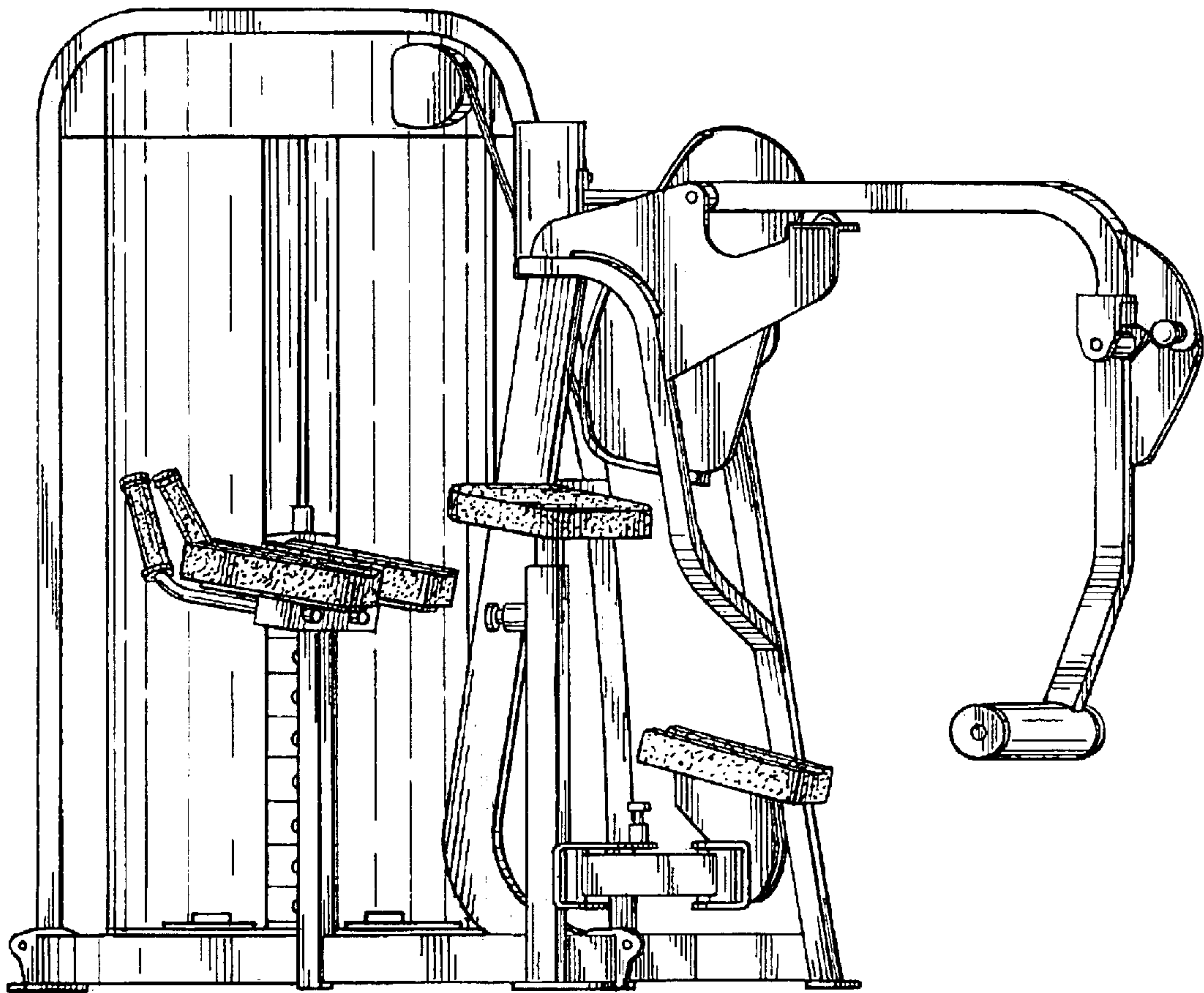


FIG. 2

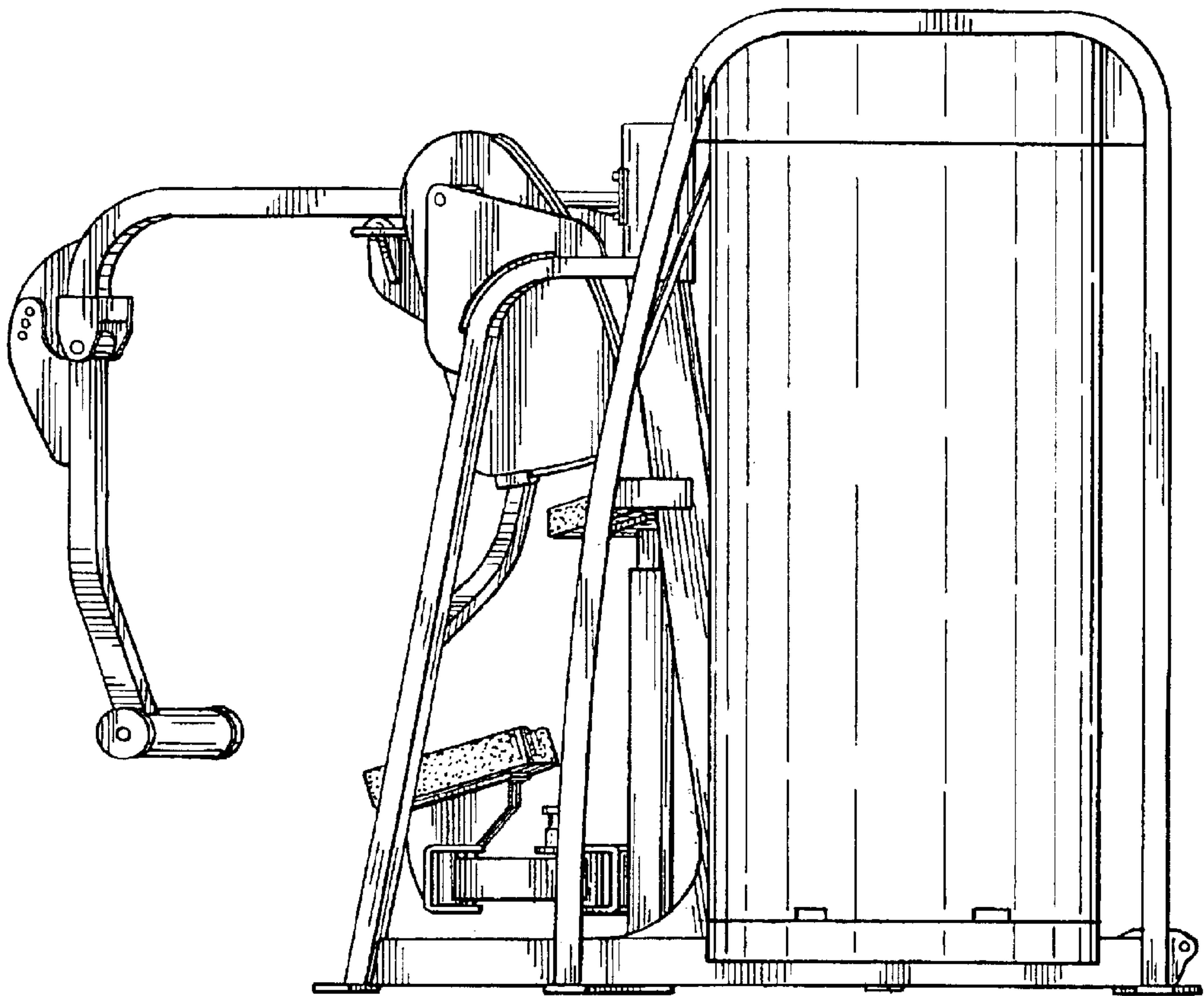


FIG. 3

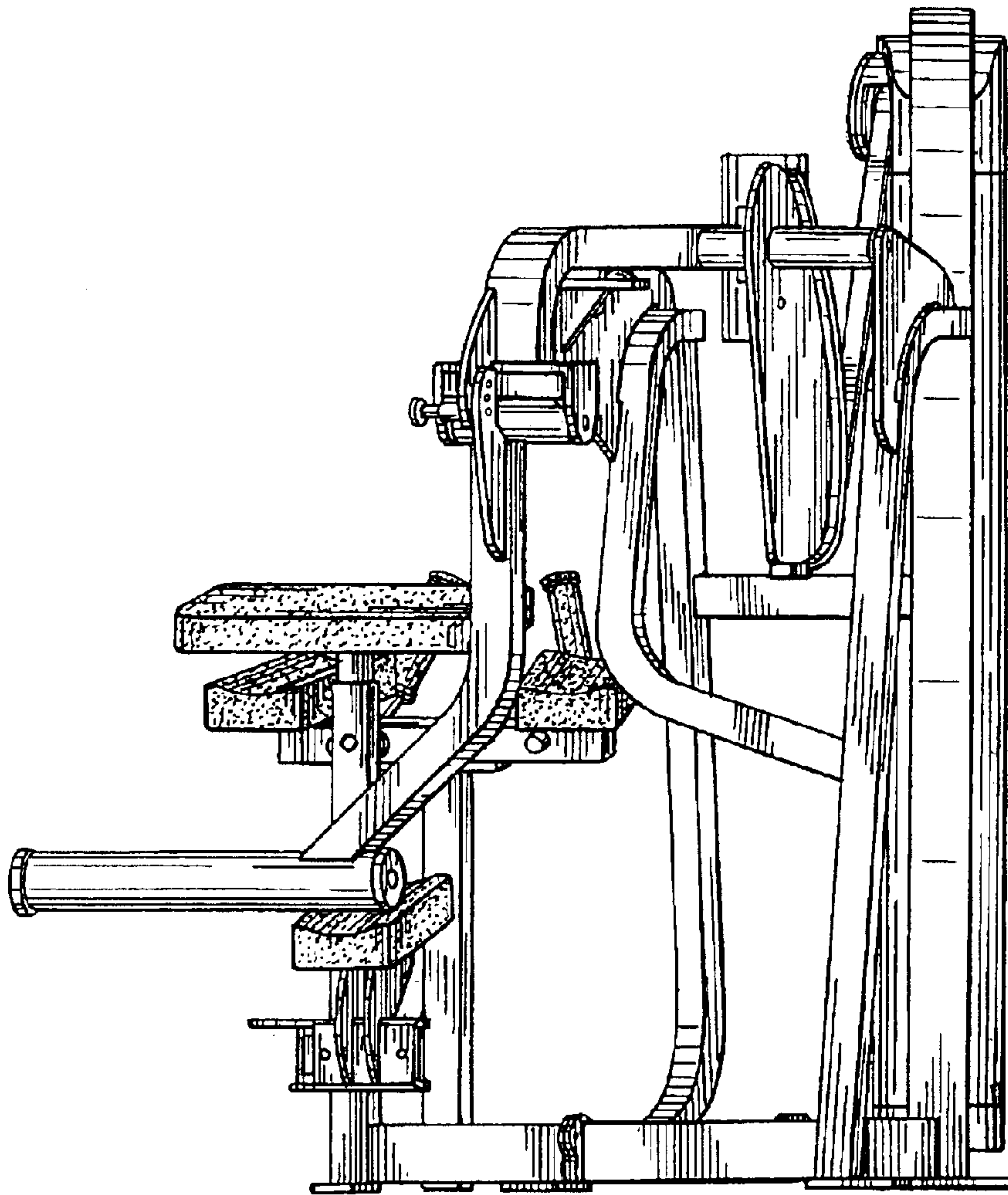


FIG. 4

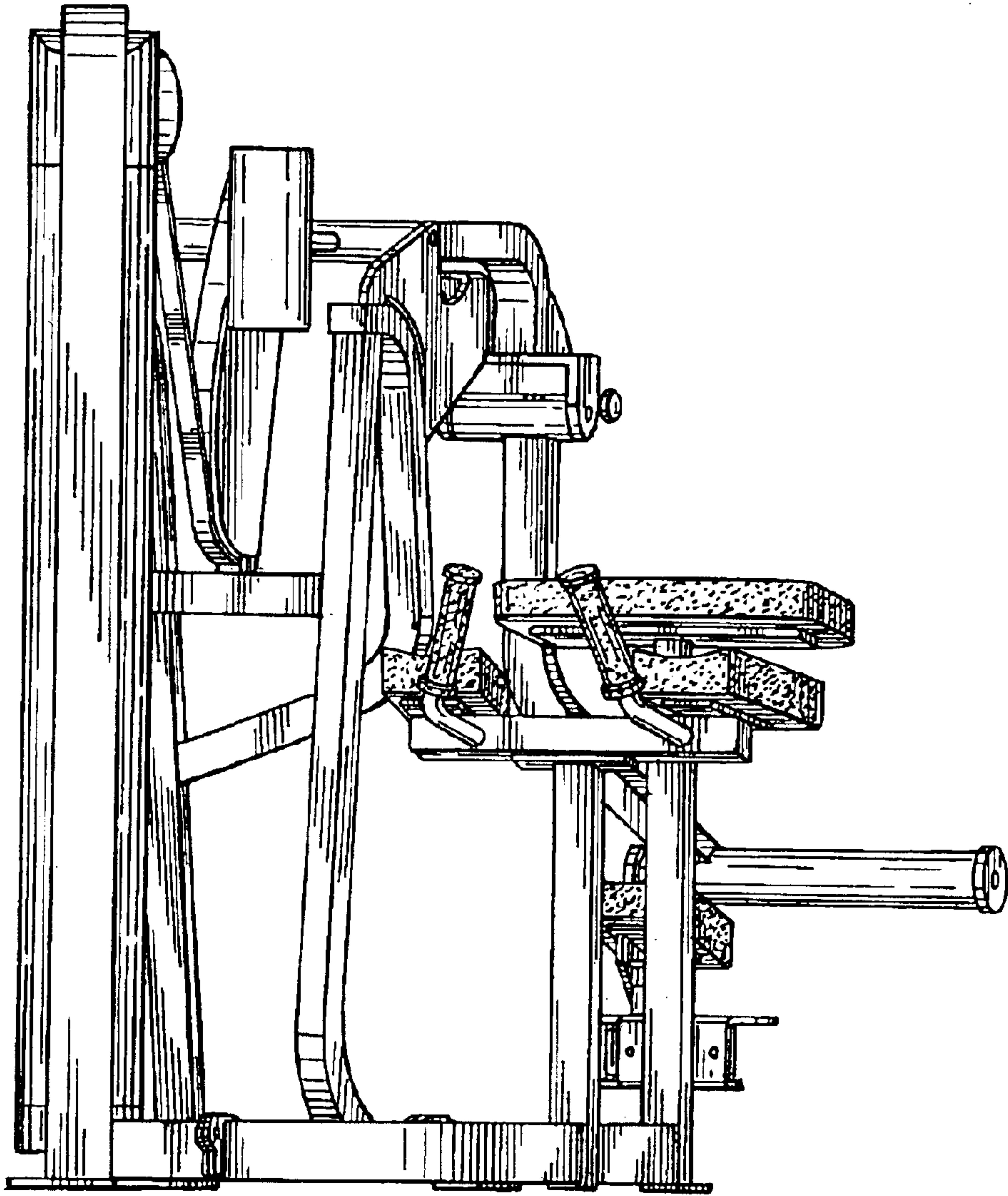


FIG. 5

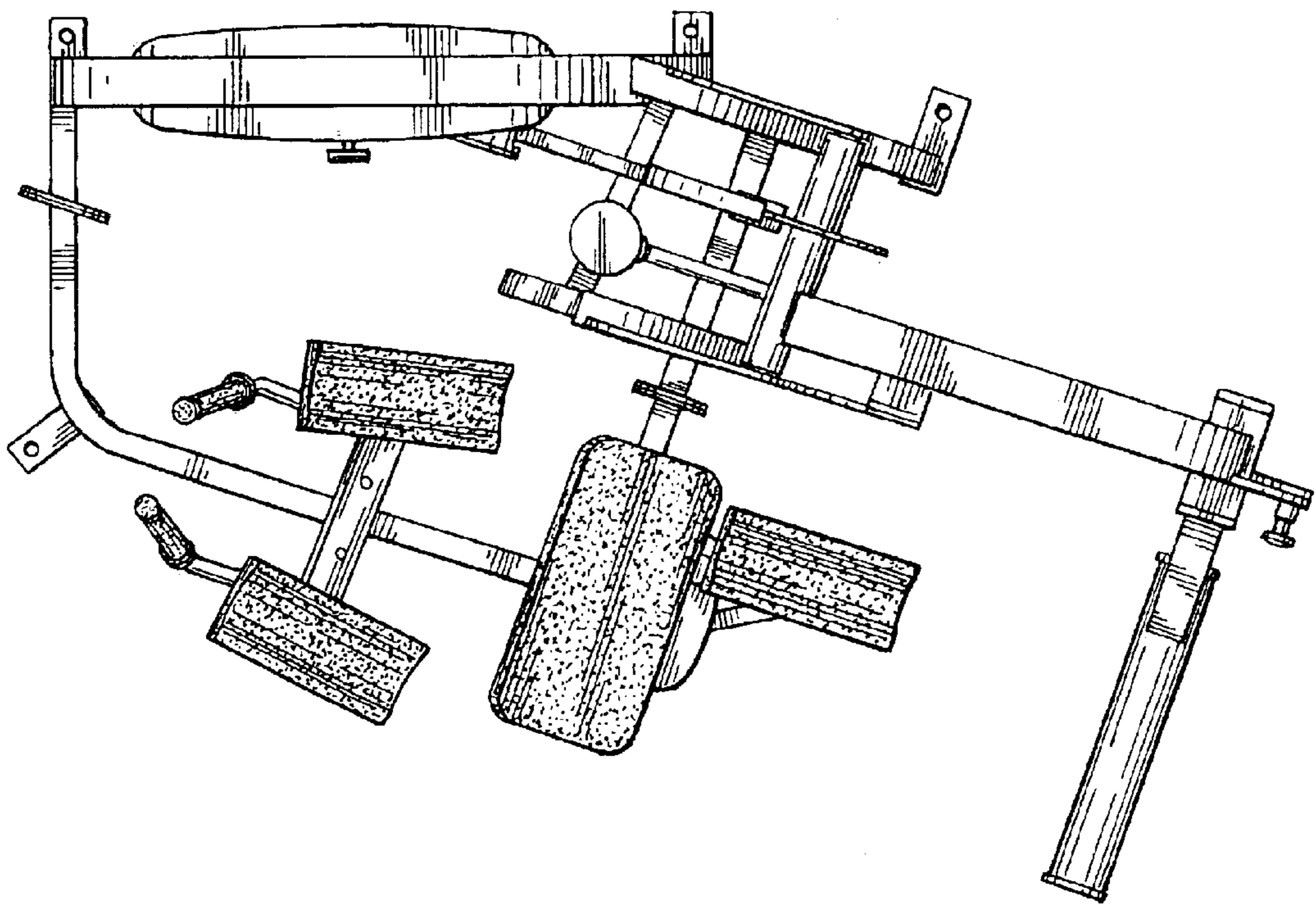


FIG. 6