



US00D491233S

(12) **United States Design Patent**
Winter et al.

(10) **Patent No.:** **US D491,233 S**
(45) **Date of Patent:** **** Jun. 8, 2004**

(54) **GAME TABLE**

(75) Inventors: **David C. Winter**, Layton, UT (US); **L. Curtis Strong**, Clearfield, UT (US); **S. Curtis Nye**, Clinton, UT (US); **Kent Ashby**, Logan, UT (US); **Robert A. Astle**, Farmington, UT (US)

(73) Assignee: **Lifetime Products, Inc.**, Clearfield, UT (US)

(**) Term: **14 Years**

(21) Appl. No.: **29/175,753**

(22) Filed: **Feb. 10, 2003**

(51) **LOC (7) Cl.** **21-01**

(52) **U.S. Cl.** **D21/397; D6/511**

(58) **Field of Search** D21/334-368,
D21/397; D6/406.3, 406.6, 429, 469, 511;
273/148 R, 309

(56) **References Cited**

U.S. PATENT DOCUMENTS

1,568,154 A * 1/1926 Hannon et al. 273/309
1,900,513 A * 3/1933 Marsh 273/309

D96,986 S * 9/1935 Jewell D21/397
D154,351 S * 6/1949 Warner D21/397
D350,045 S * 8/1994 Stuart D6/429
D448,054 S * 9/2001 Dominguez D21/397
D468,776 S * 1/2003 Oliver et al. D21/397

* cited by examiner

Primary Examiner—Sandra L. Morris

(74) *Attorney, Agent, or Firm*—Workman Nydegger

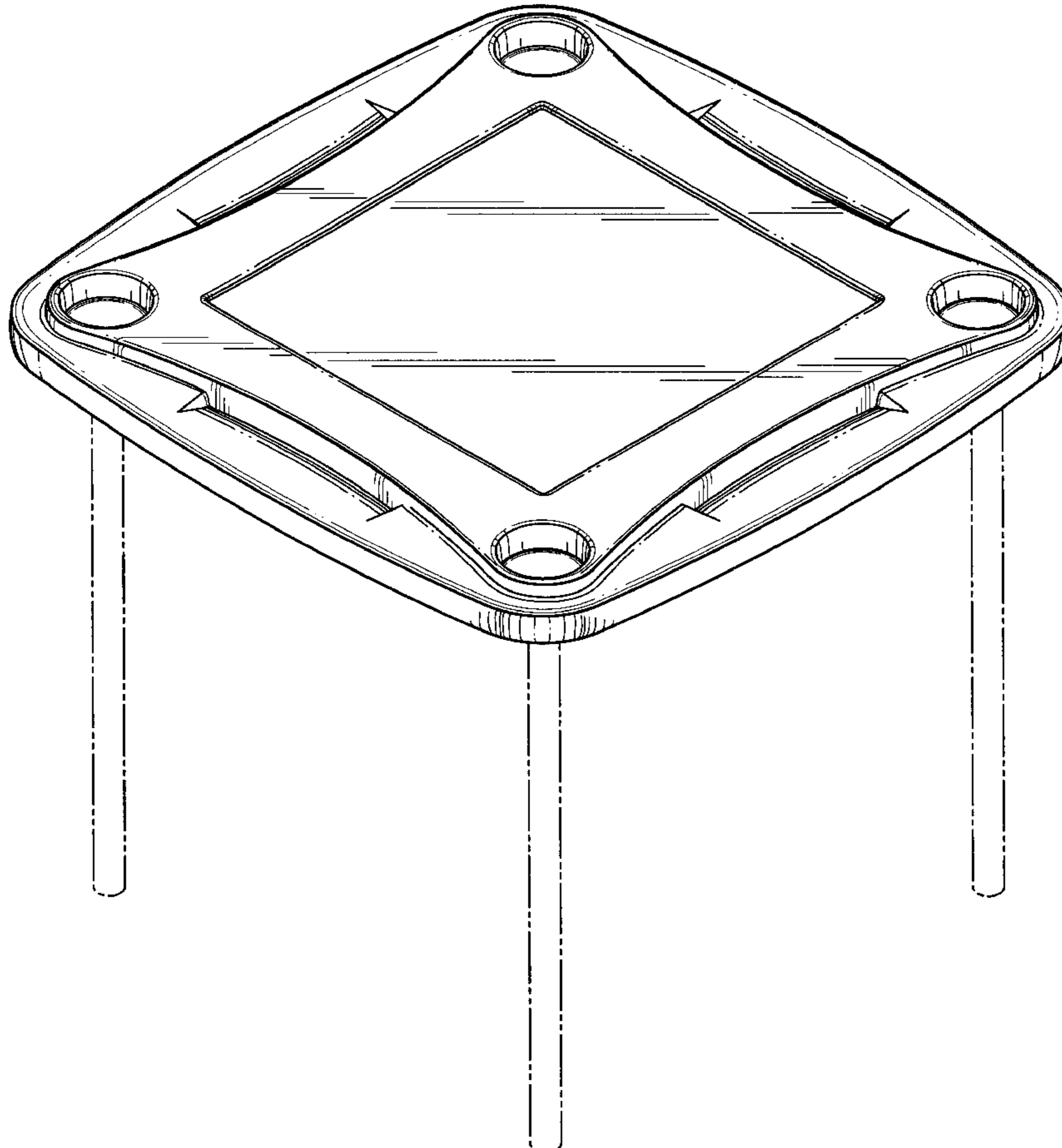
(57) **CLAIM**

The ornamental design for a game table, as shown and described.

DESCRIPTION

FIG. 1 is a perspective view of a game table in which the top of the game table is constructed from blow-molded plastic; FIG. 2 is a top view of the game table shown in FIG. 1; FIG. 3 is a front view of the game table shown in FIG. 1, with the rear view, right side view and left side view being identical; and, FIG. 4 is a bottom view of the game table shown in FIG. 1. The broken lines showing in the accompanying figures are for illustrative purposes only and form no part of the claimed design.

1 Claim, 2 Drawing Sheets



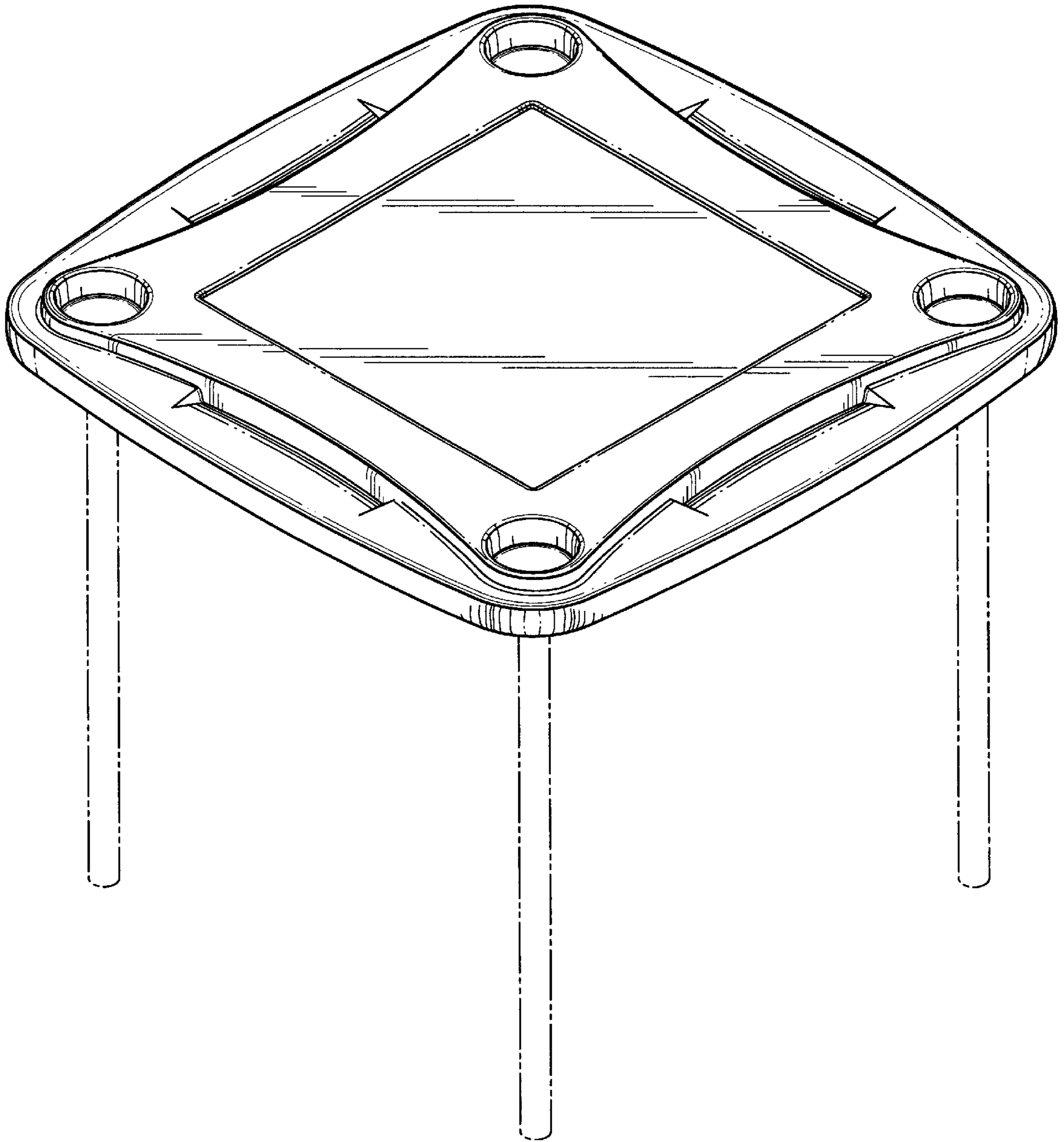


Fig. 1

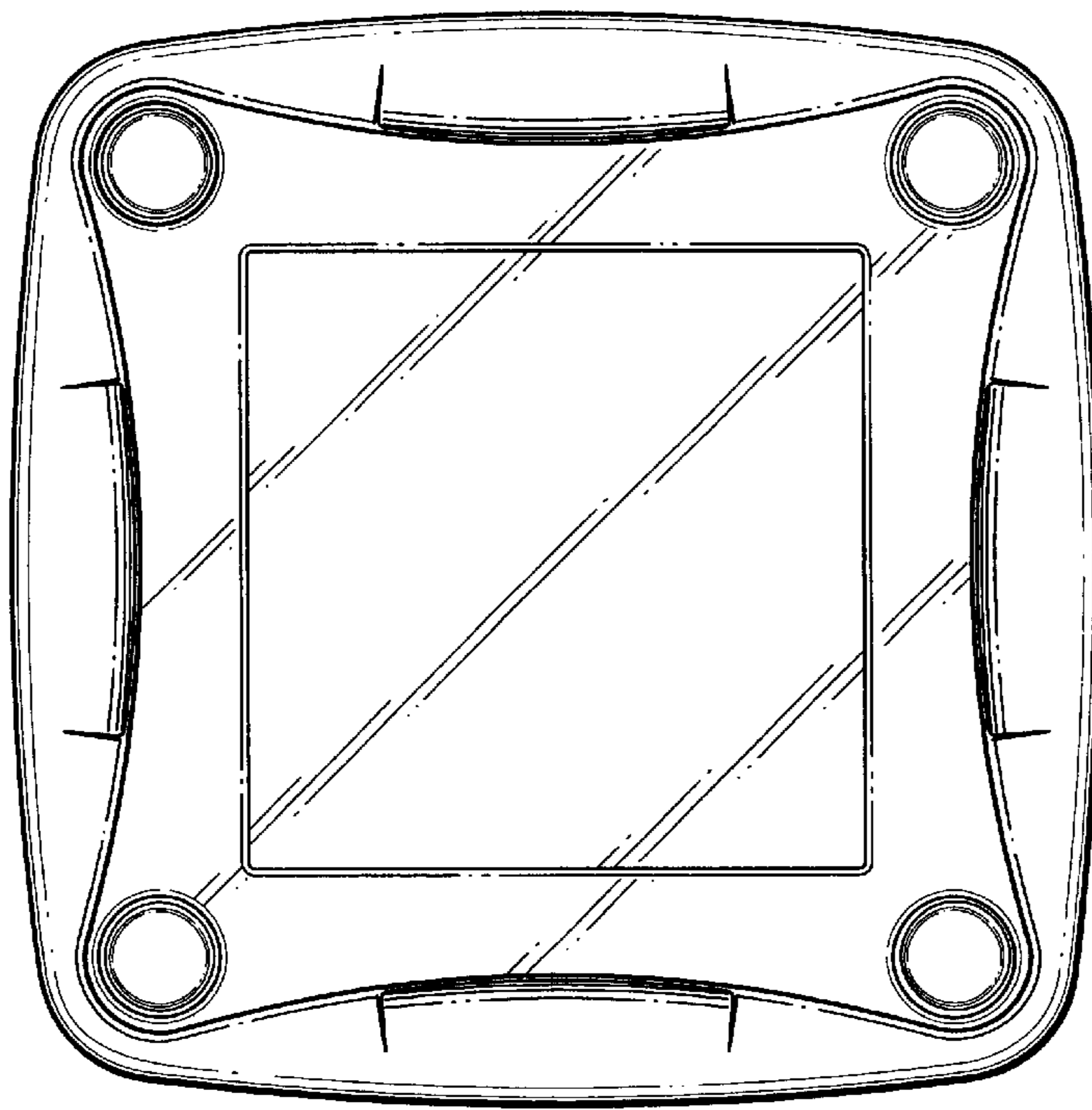


Fig. 2

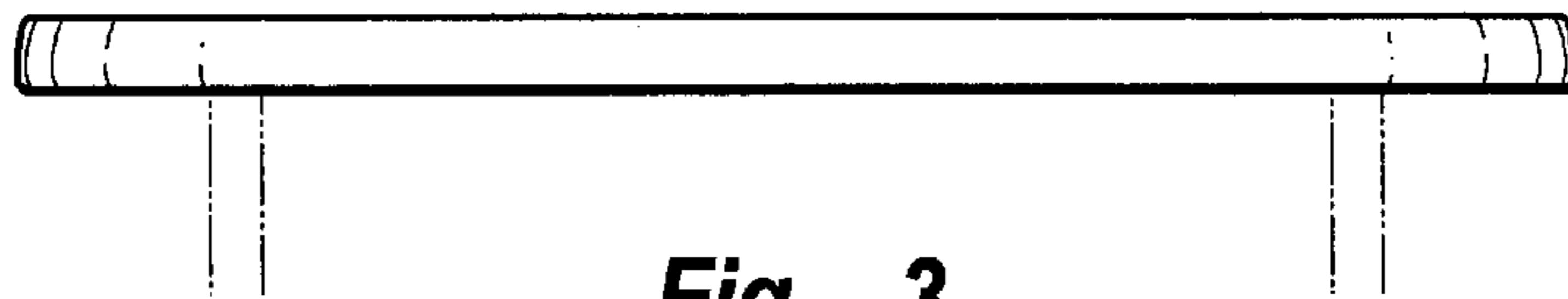


Fig. 3

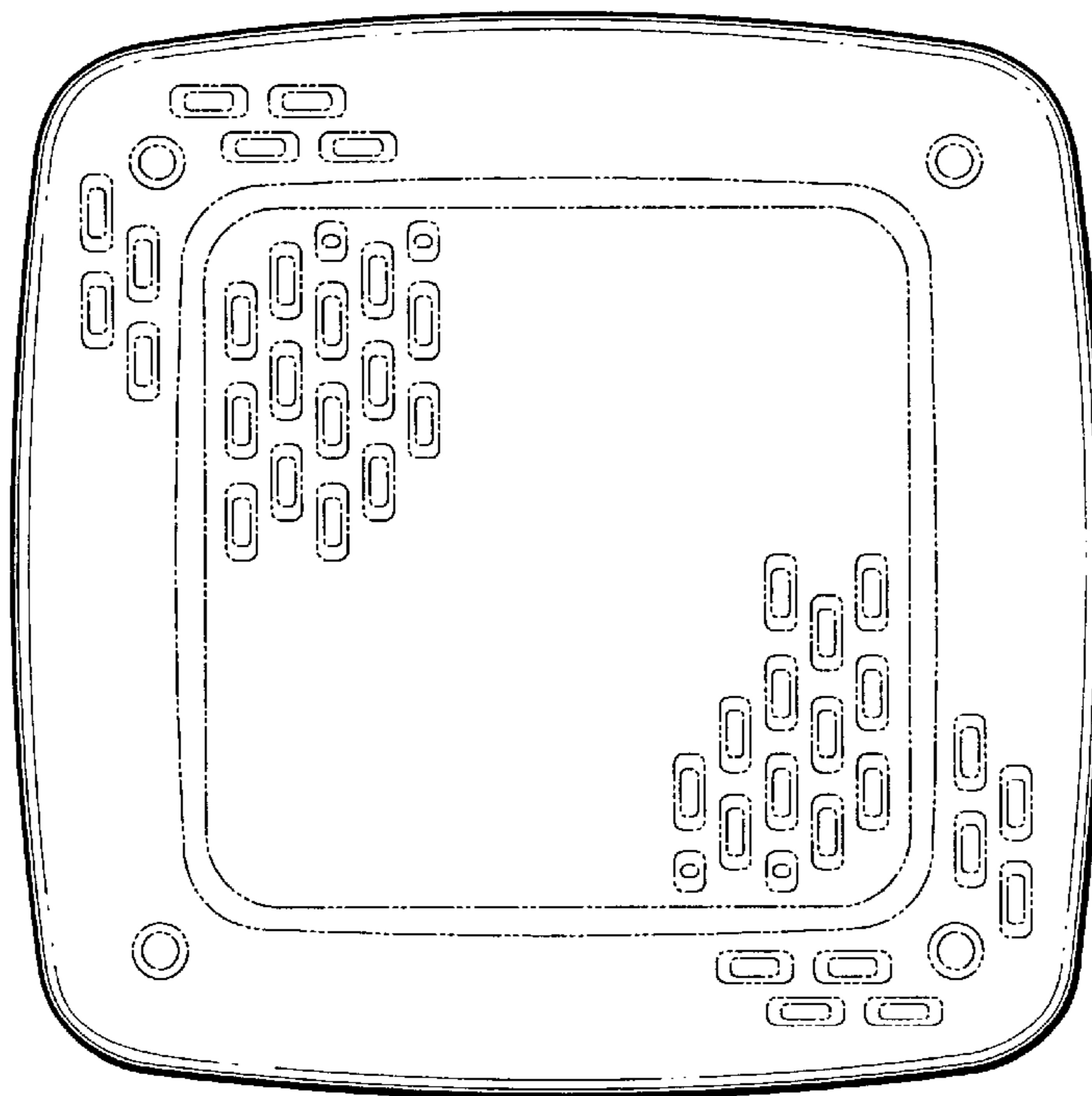


Fig. 4