



US00D491230S

(12) **United States Design Patent**
Lee

(10) **Patent No.:** **US D491,230 S**

(45) **Date of Patent:** **** Jun. 8, 2004**

(54) **PUNCH DEVICE**

(76) Inventor: **Cheng Ho Lee**, No. 76 Pao Kao Road,
Hsin Tien City, Taipei 231 (TW)

(**) Term: **14 Years**

(21) Appl. No.: **29/170,460**

(22) Filed: **Nov. 6, 2002**

(51) **LOC (7) Cl.** **19-02**

(52) **U.S. Cl.** **D19/72**

(58) **Field of Search** D18/15; D19/65,
D19/72, 95, 99, 100, 73; D8/49-51, 98,
105; 30/358, 363, 364, 285, 289, 294, DIG. 3;
83/465, 467, 550, 560, 187, 588, 618, 633

(56) **References Cited**

U.S. PATENT DOCUMENTS

D103,980 S	*	4/1937	Sachs et al.	D18/15
D121,339 S	*	7/1940	Noll	D8/49
D169,080 S	*	3/1953	Marano	D19/72
D213,651 S	*	3/1969	Crotti et al.	D8/49
D289,883 S	*	5/1987	Penaluna	D19/72 X
D433,062 S	*	10/2000	Ho	D19/72
D434,443 S	*	11/2000	Mori et al.	D19/72
D462,995 S	*	9/2002	Robillard	D19/72

* cited by examiner

Primary Examiner—Martie K. Holtje

(74) *Attorney, Agent, or Firm*—Sofer & Haroun, LLP

(57) **CLAIM**

I claim the ornamental design for a punch device, as shown and described.

DESCRIPTION

FIG. 1 is a perspective view of an ornamental punch device showing my new design;

FIG. 2 is a right side view of the ornamental punch device as shown in FIG. 1;

FIG. 3 is a left side view of the ornamental punch device as shown in FIG. 1;

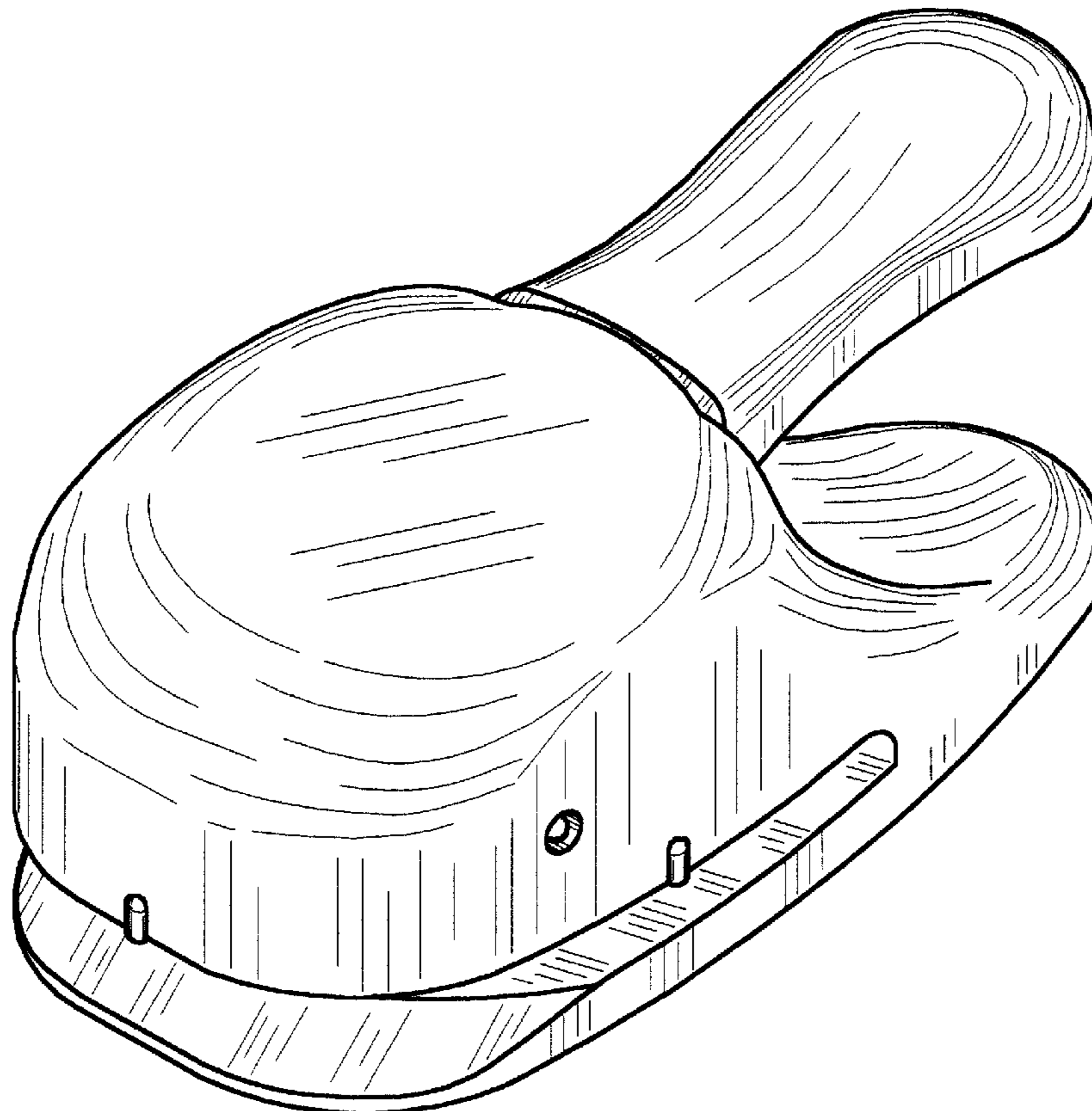
FIG. 4 is a top view of the ornamental punch device as shown in FIG. 1;

FIG. 5 is a rear view of the ornamental punch device as shown in FIG. 1; and,

FIG. 6 is a front view of the ornamental punch device as shown in FIG. 1.

The lines of contour shown in FIG. 1-6 are only for denoting surface curvature of the ornamental punch device, and do not constitute a part of the claimed design in any other manner.

1 Claim, 6 Drawing Sheets



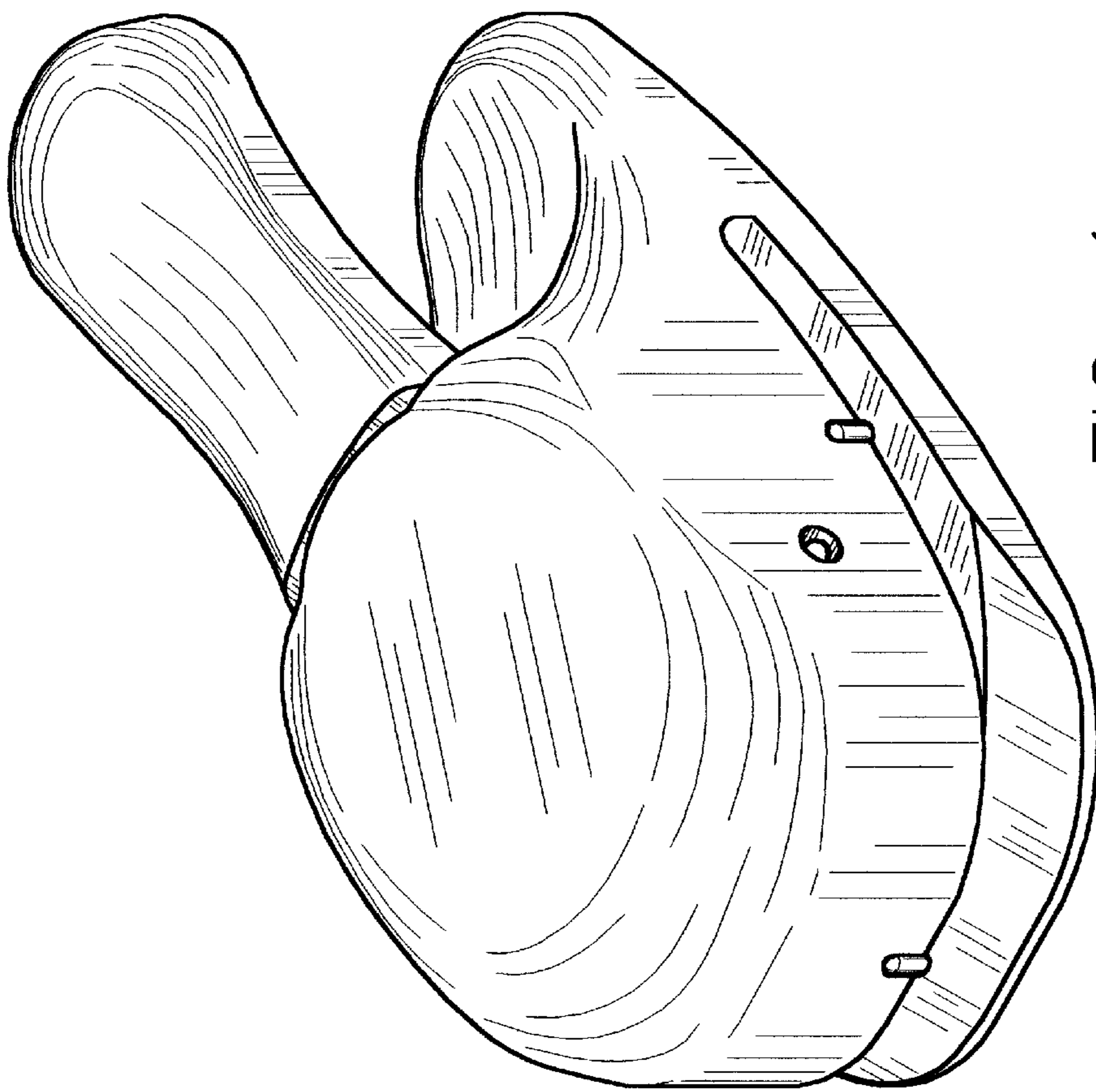


FIG. 1

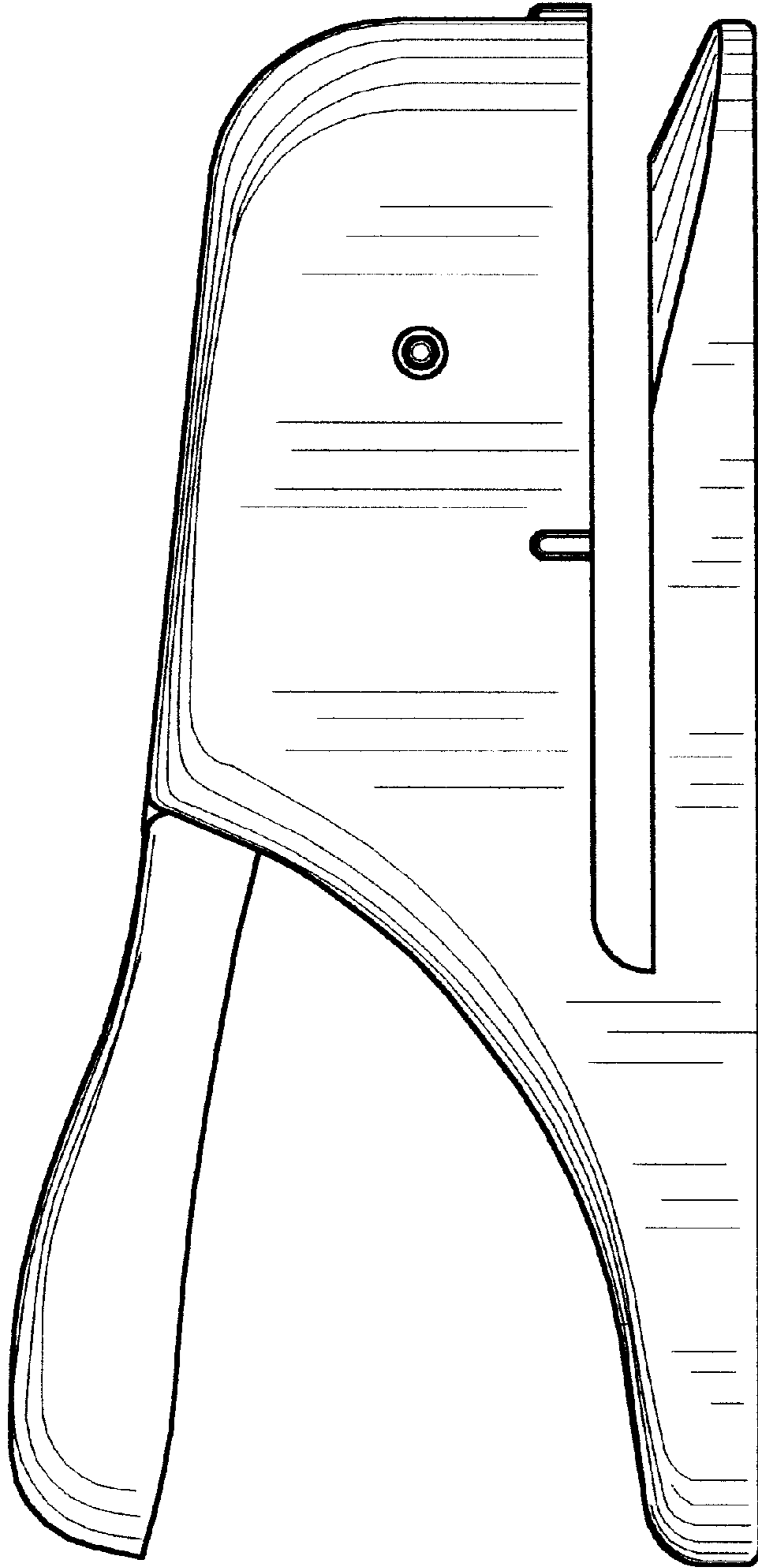


FIG. 2

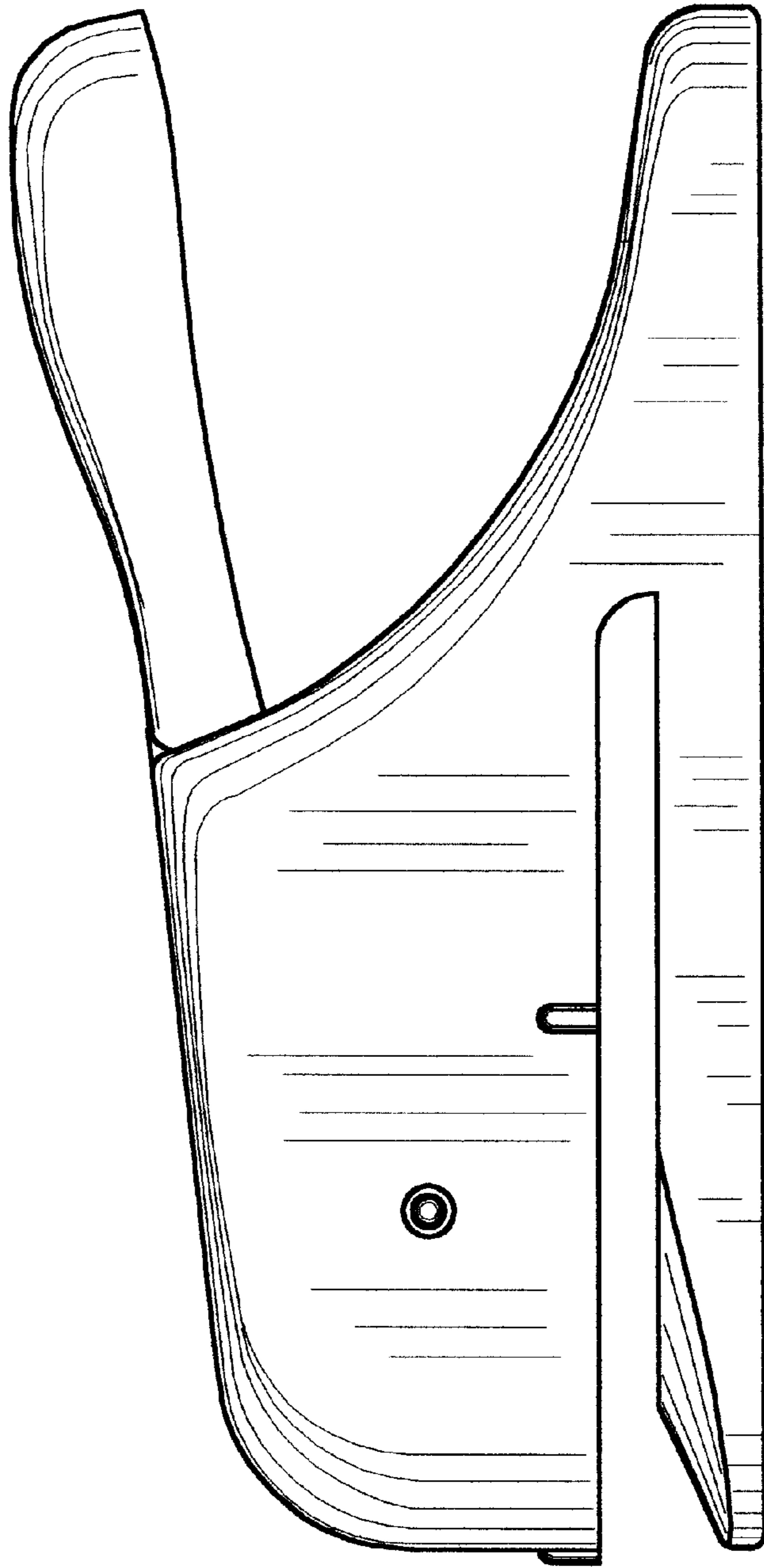


FIG. 3

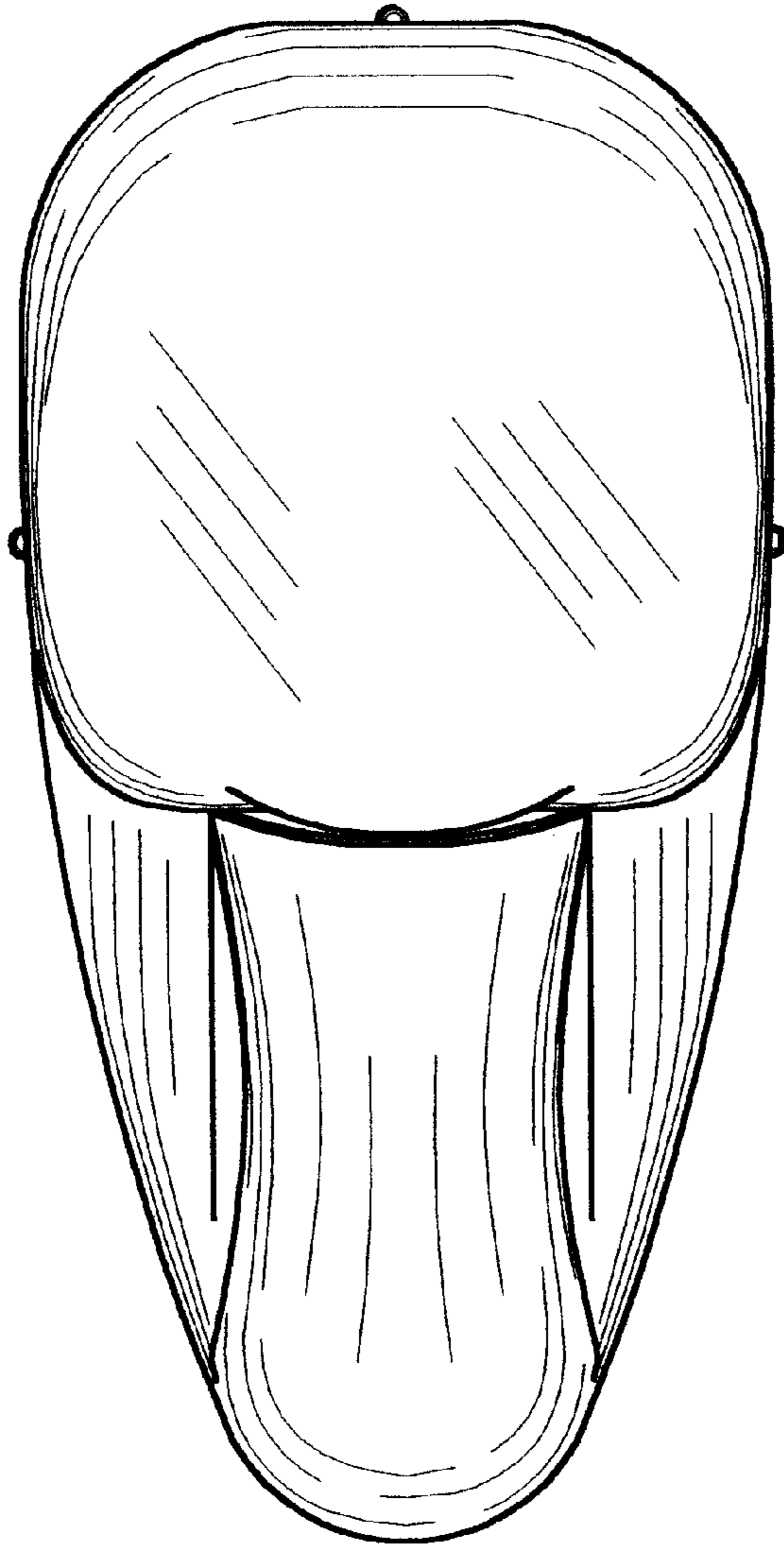


FIG. 4

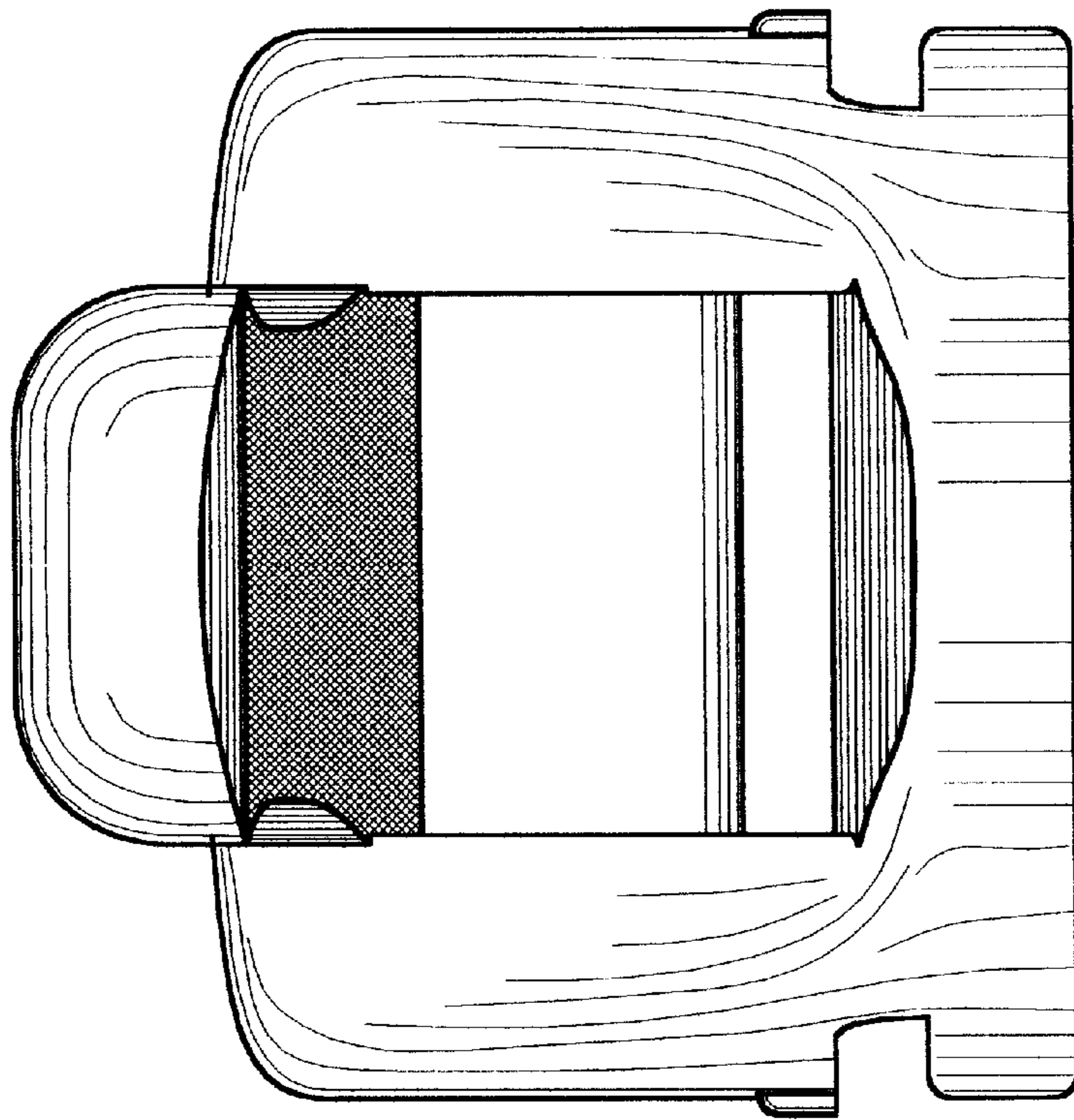


FIG. 5

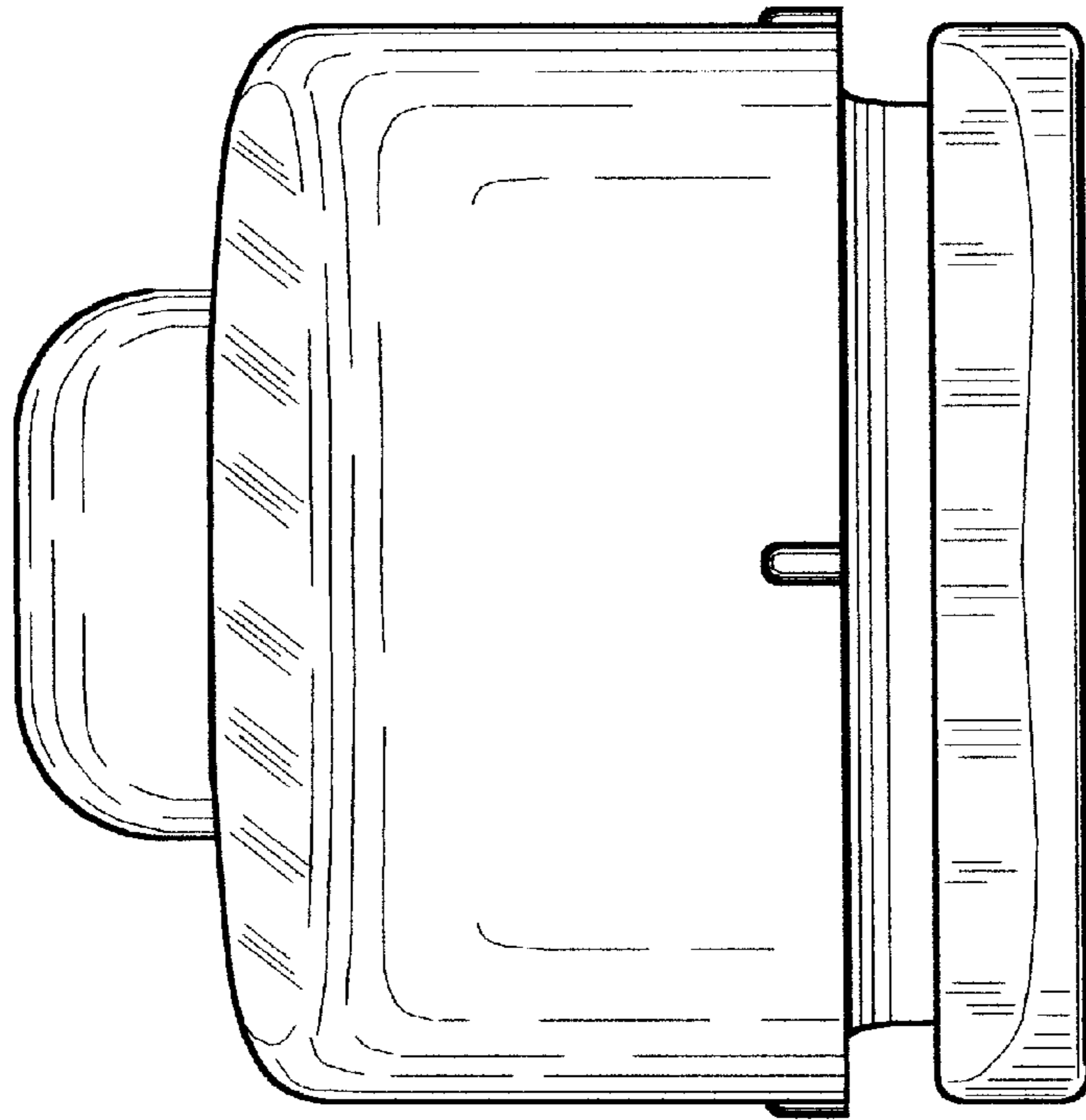


FIG. 6