



US00D491220S

(12) **United States Design Patent**
Whitehorn et al.

(10) **Patent No.:** **US D491,220 S**

(45) **Date of Patent:** **** Jun. 8, 2004**

(54) **LASERJET PRINTER**

(75) Inventors: **Symon Whitehorn**, San Francisco, CA
(US); **Marcus Schmitt**, London (GB)

(73) Assignee: **Hewlett-Packard Development
Company, LP.**, Houston, TX (US)

(**) Term: **14 Years**

(21) Appl. No.: **29/177,152**

(22) Filed: **Mar. 3, 2003**

D466,923 S * 12/2002 Dwyer et al. D18/55
D474,805 S * 5/2003 Gotham et al. D18/50
D480,418 S * 10/2003 Evers D18/55

* cited by examiner

Primary Examiner—Cathy Anne MacCormac
(74) *Attorney, Agent, or Firm*—Lloyd E. Dakin, Jr.

(57) **CLAIM**

The ornamental design for a laserjet printer, as shown and described.

Related U.S. Application Data

(63) Continuation-in-part of application No. 29/174,765, filed on Jan. 23, 2003.

(51) **LOC (7) Cl.** **14-02**

(52) **U.S. Cl.** **D18/50**

(58) **Field of Search** D18/50, 53, 54,
D18/55, 36–39; D14/420, 421, 422, 425,
462–470; 400/613, 613.1, 613.2, 613.3,
613.4, 690–691, 690.1, 690.2, 690.3, 690.4

(56) **References Cited**

U.S. PATENT DOCUMENTS

D399,250 S * 10/1998 Kawai D18/55

DESCRIPTION

FIG. 1 is a perspective view of a laserjet printer showing the new design;

FIG. 2 is a front elevational view thereof;

FIG. 3 is a rear elevational view thereof;

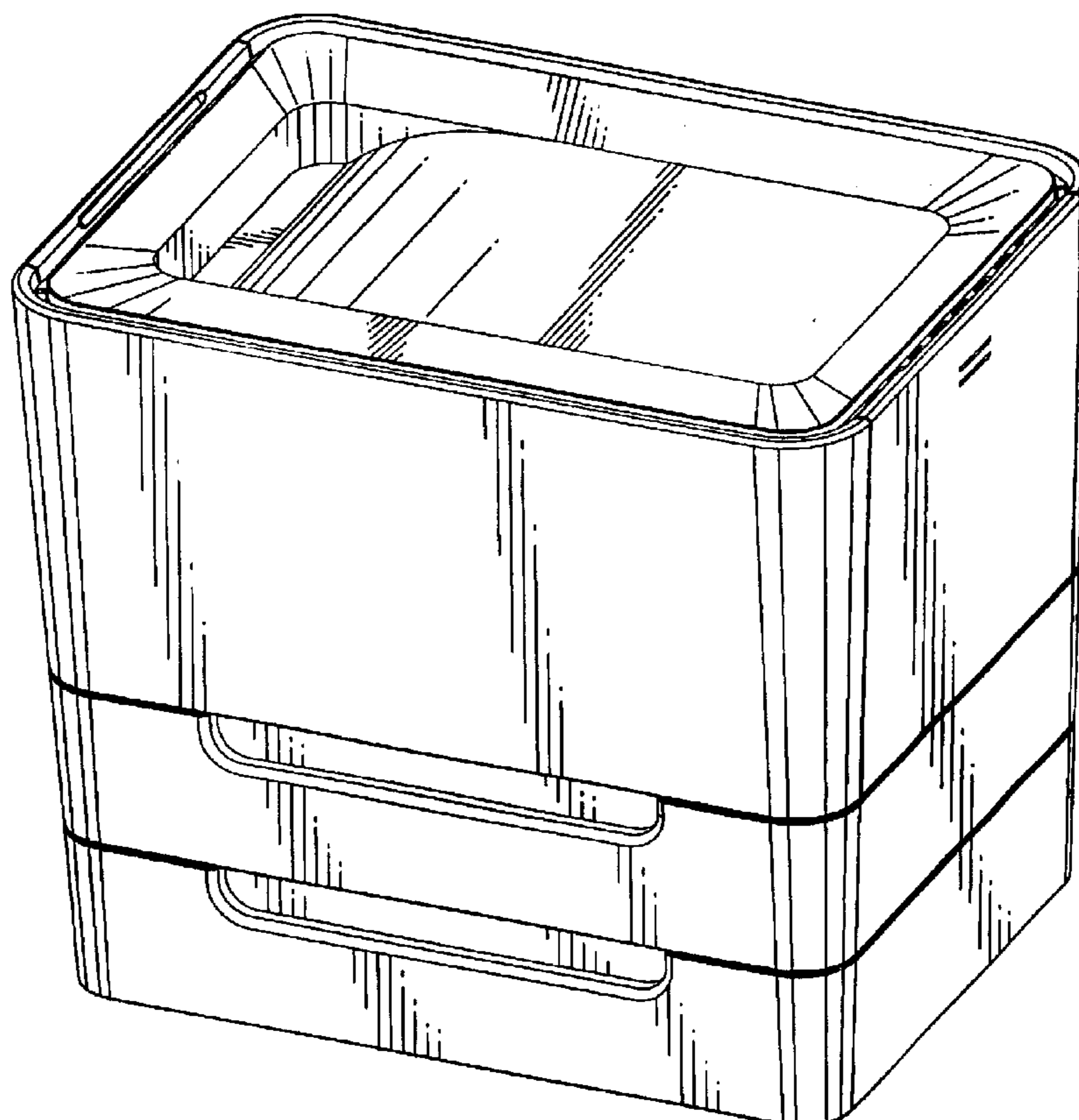
FIG. 4 is a left side elevational view thereof;

FIG. 5 is a right side elevational view thereof;

FIG. 6 is a top plan view thereof; and,

FIG. 7 is a bottom plan view thereof.

1 Claim, 7 Drawing Sheets



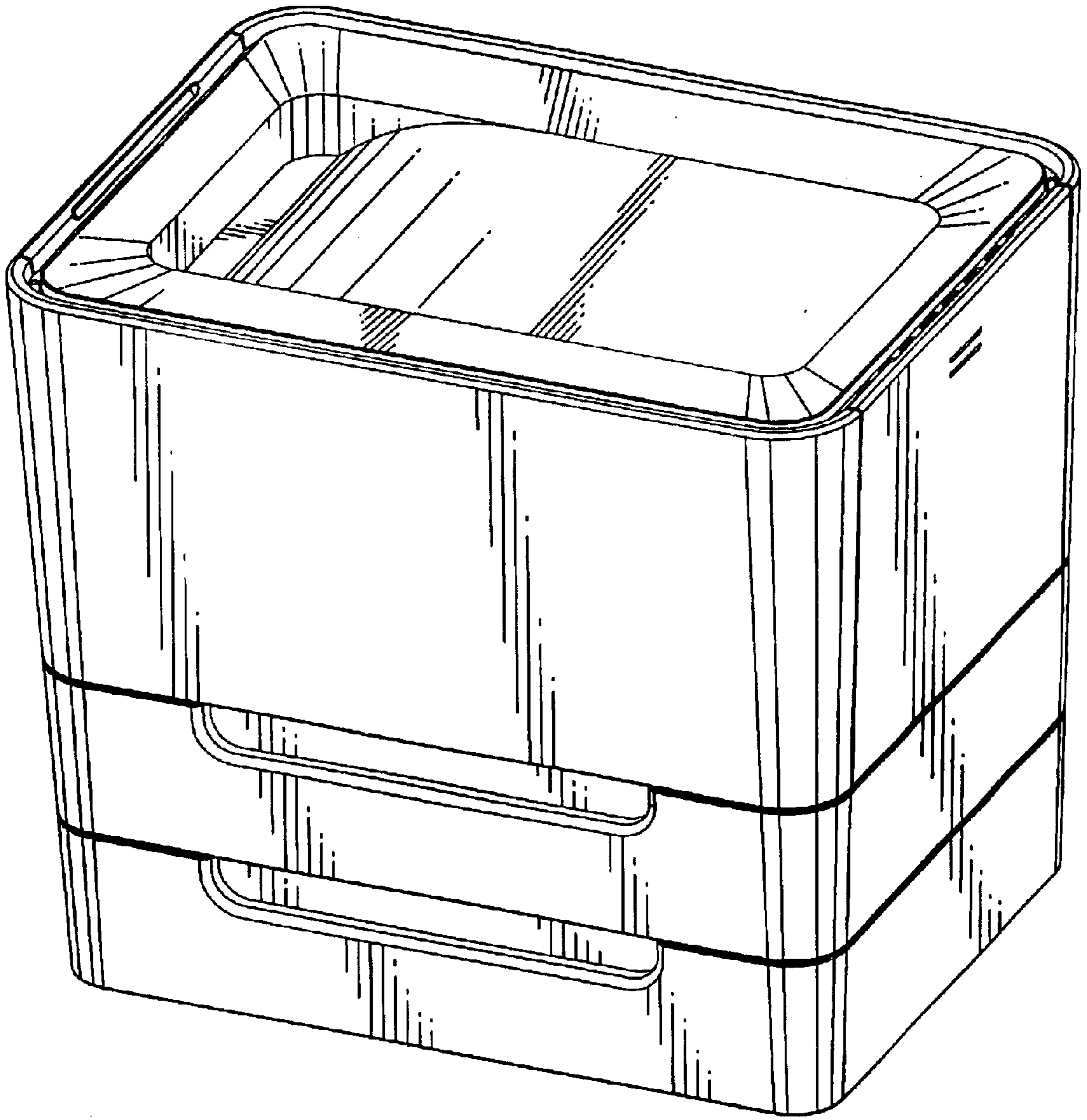


Figure 1

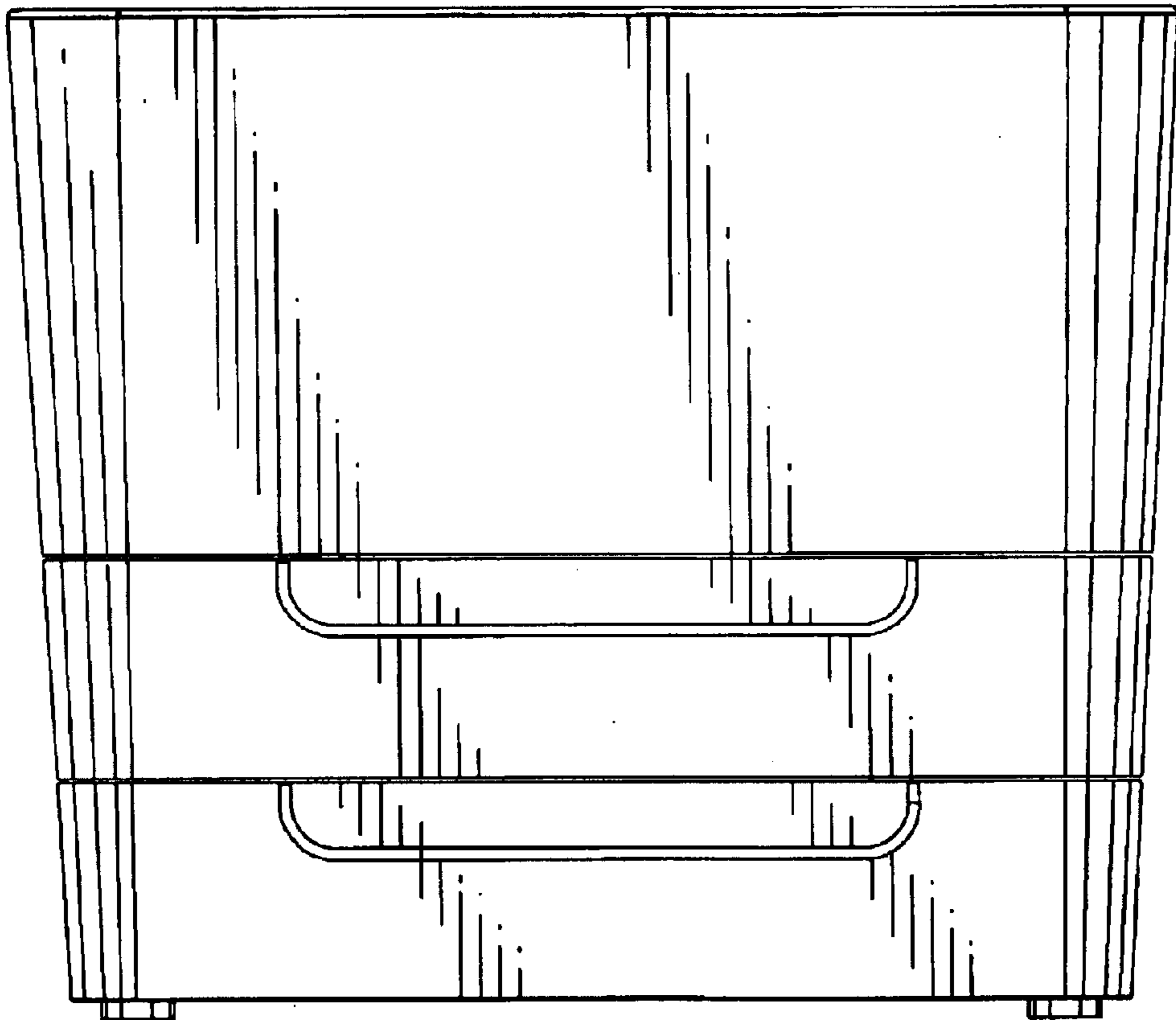


Figure 2

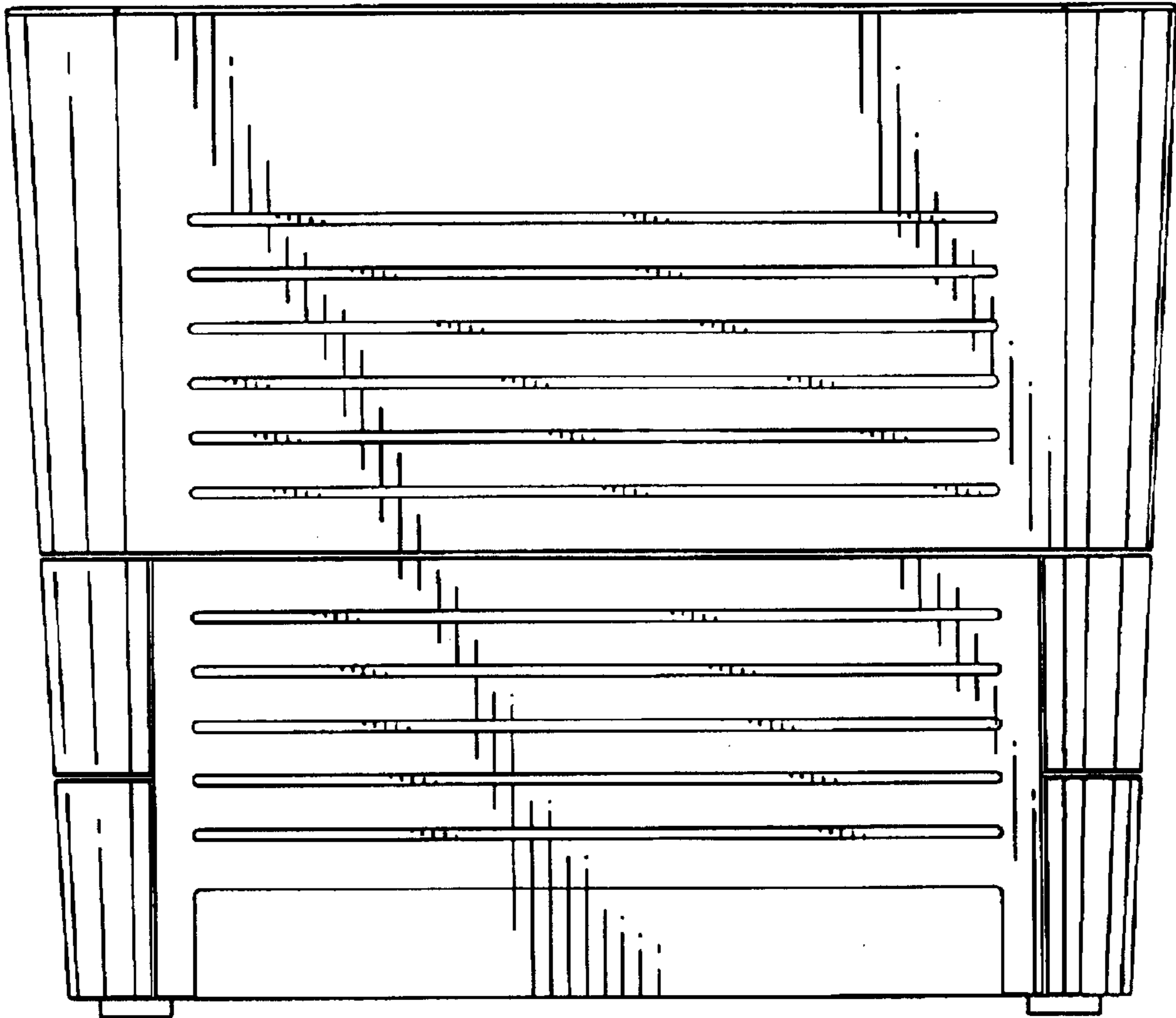


Figure 3

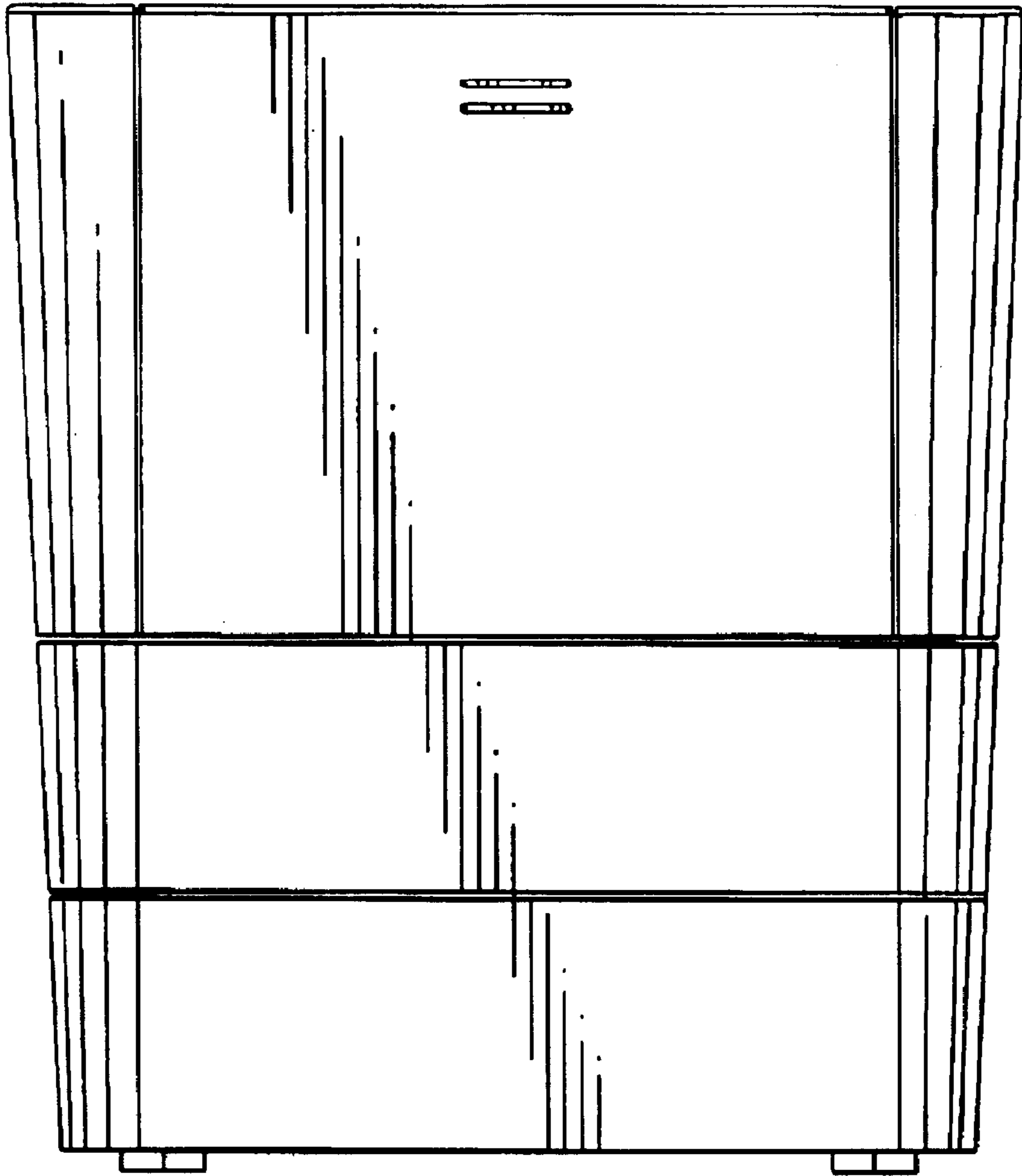


Figure 4

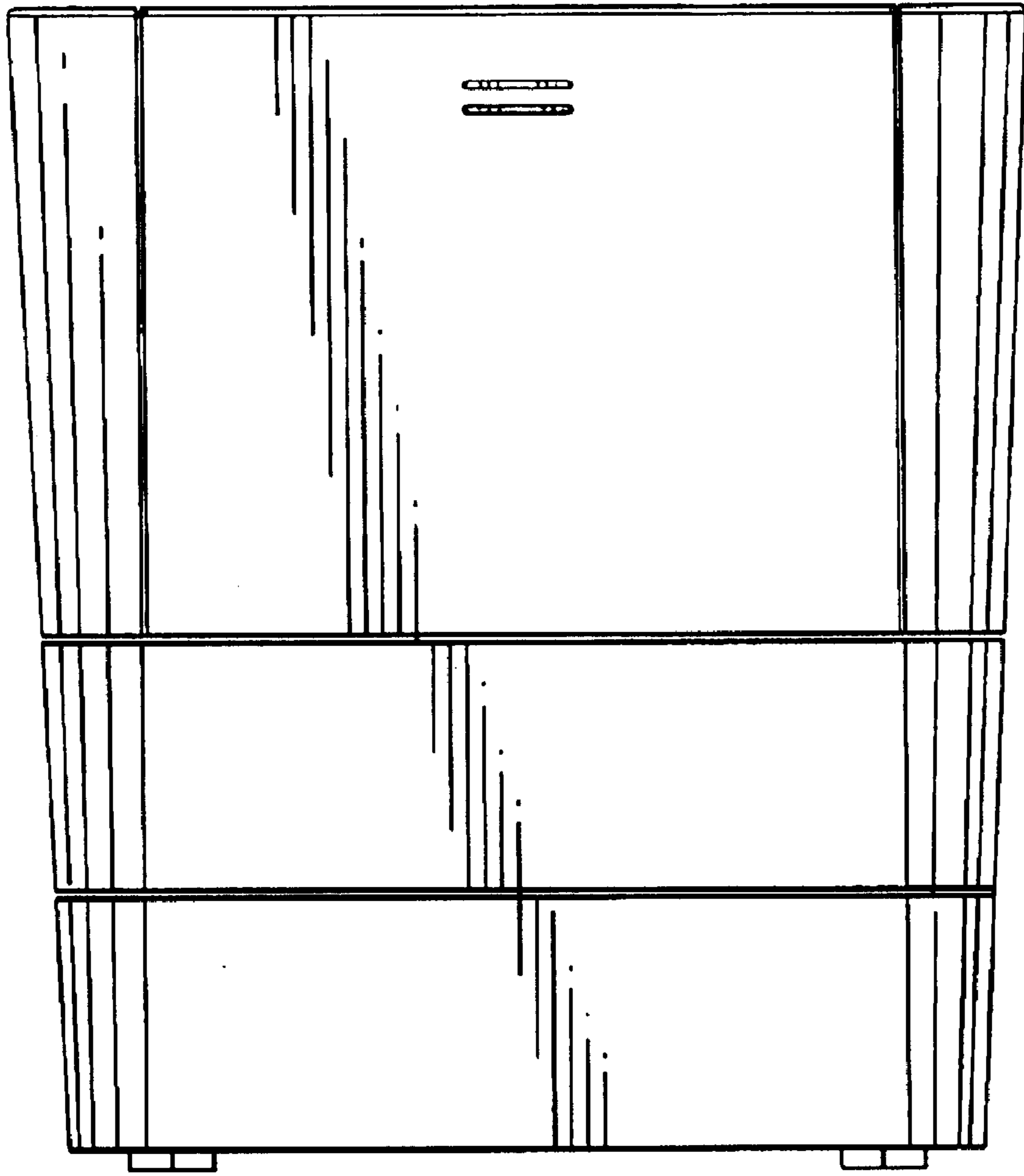


Figure 5

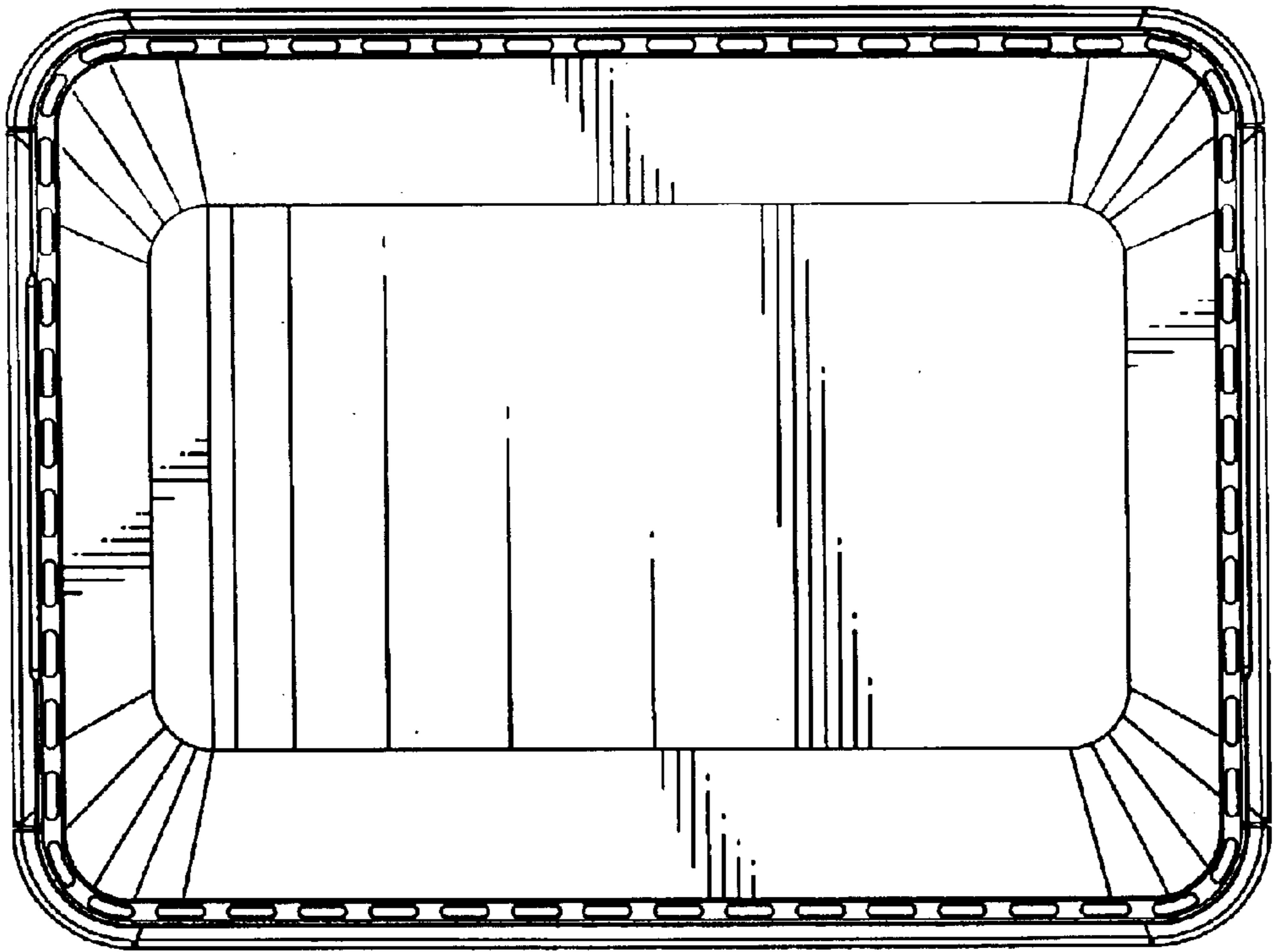


Figure 6

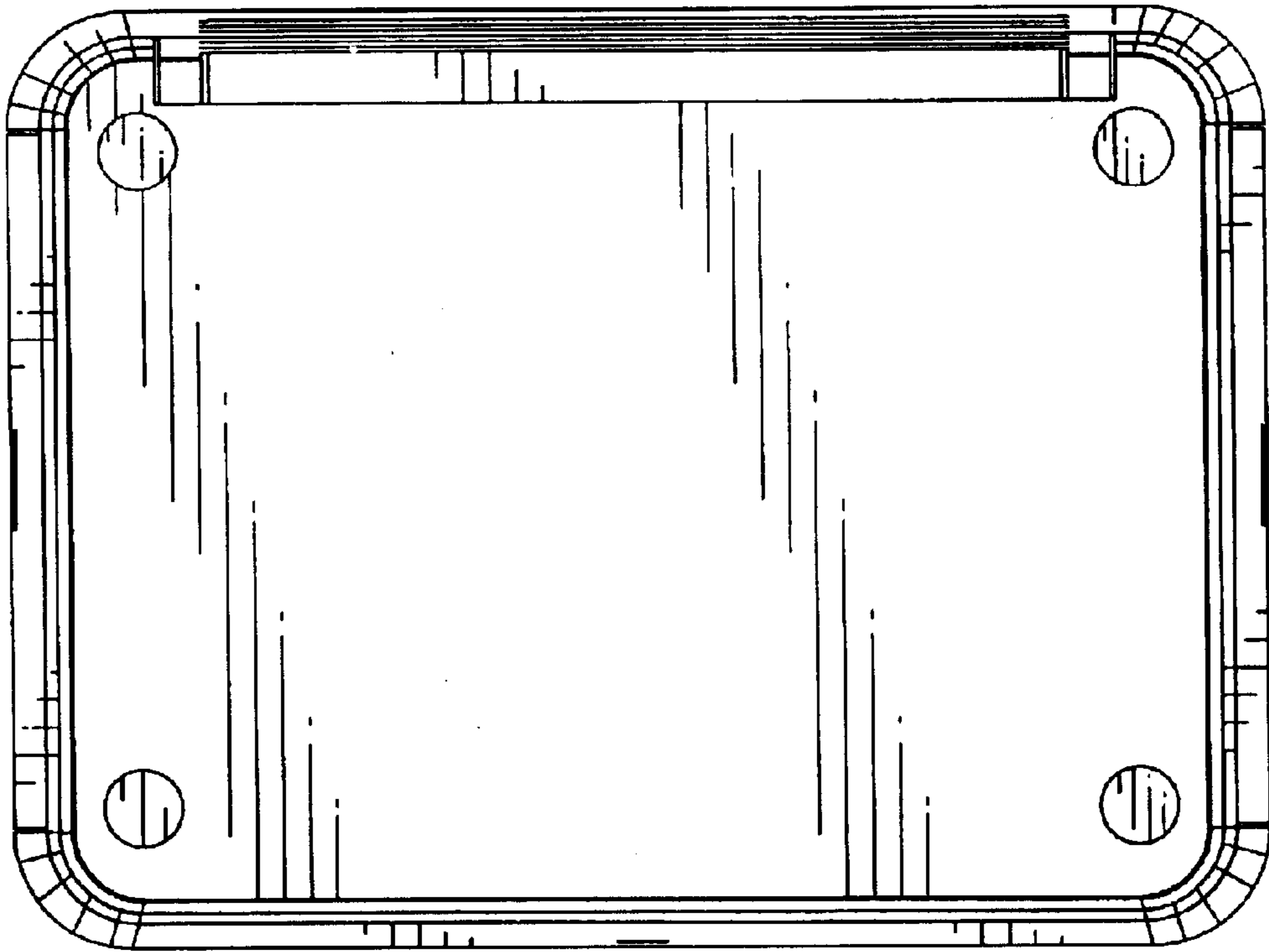


Figure 7