



US00D491217S

(12) **United States Design Patent**  
**Miyauchi et al.**

(10) **Patent No.:** **US D491,217 S**

(45) **Date of Patent:** **\*\* Jun. 8, 2004**

(54) **PRINTER**

(75) Inventors: **Hiroto Miyauchi, Shiojiri (JP);  
Tsukasa Abe, Asahi-mura (JP)**

(73) Assignee: **Seiko Epson Corporation (JP)**

(\*\*) Term: **14 Years**

(21) Appl. No.: **29/173,173**

(22) Filed: **Dec. 23, 2002**

(30) **Foreign Application Priority Data**

Jun. 28, 2002 (JP) ..... 2002-017463  
Jun. 28, 2002 (JP) ..... 2002-017464

(51) **LOC (7) Cl.** ..... **14-02**

(52) **U.S. Cl.** ..... **D18/50**

(58) **Field of Search** ..... D18/50, 53-55,  
D18/36-39; D14/420-422, 425, 462-470;  
400/613, 691-694, 613.1-613.4, 690.1-690.4

(56) **References Cited**

**U.S. PATENT DOCUMENTS**

D333,316 S \* 2/1993 Ishizawa ..... D18/55  
D340,471 S \* 10/1993 Yamamoto ..... D18/50  
D343,190 S \* 1/1994 Ishizawa et al. .... D18/50

D377,045 S \* 12/1996 Chida ..... D18/50  
D378,098 S \* 2/1997 Sato ..... D18/50  
D391,286 S \* 2/1998 Mizusugi ..... D18/55  
D413,623 S \* 9/1999 Ohno ..... D18/50  
D422,631 S \* 4/2000 Toriyama et al. .... D18/50  
D439,273 S \* 3/2001 Sato et al. .... D18/54.1  
D443,890 S \* 6/2001 Sato et al. .... D18/50

\* cited by examiner

*Primary Examiner*—Cathy Anne MacCormac

(74) *Attorney, Agent, or Firm*—Harness, Dickey & Pierce,  
P.L.C.

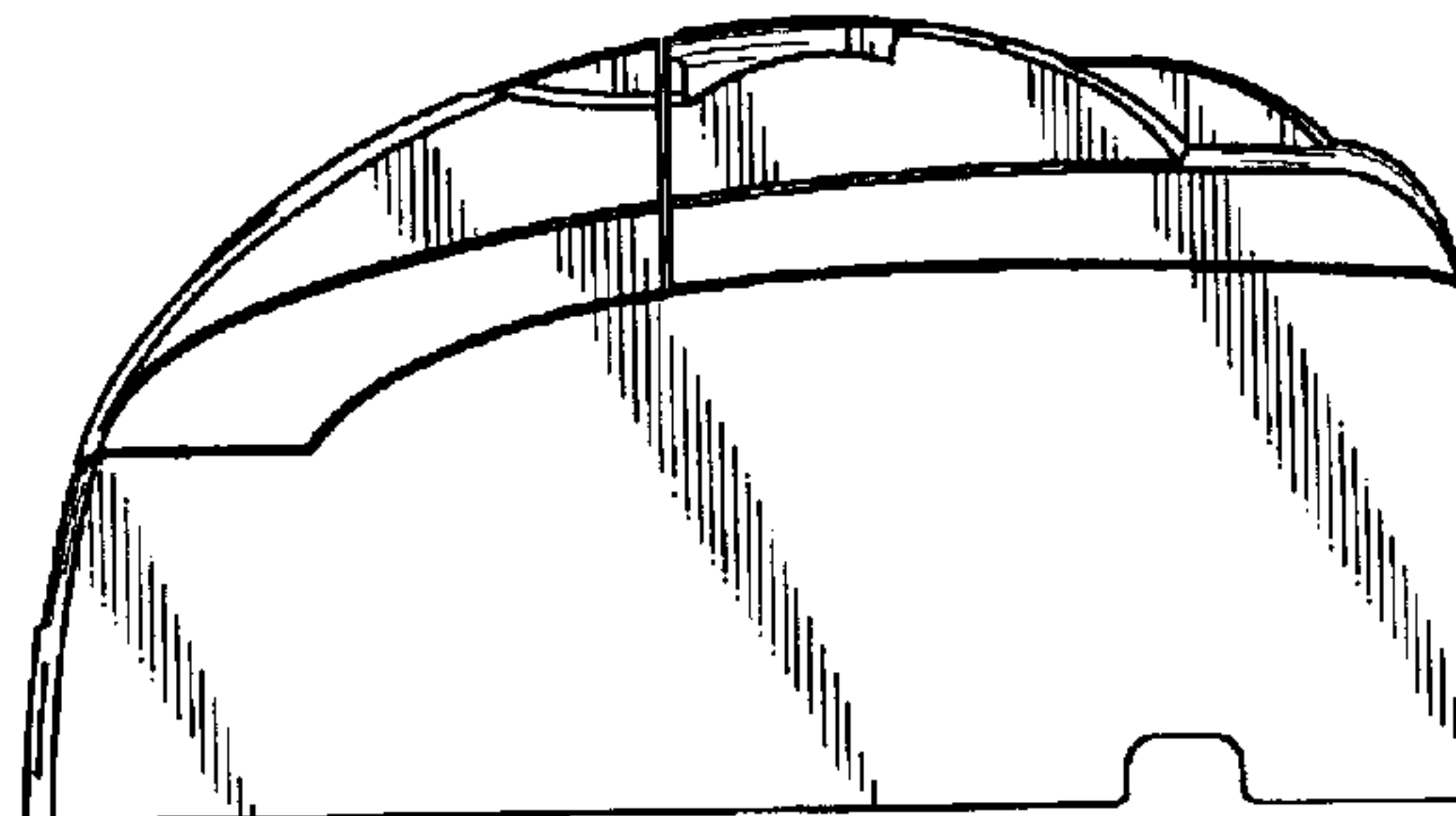
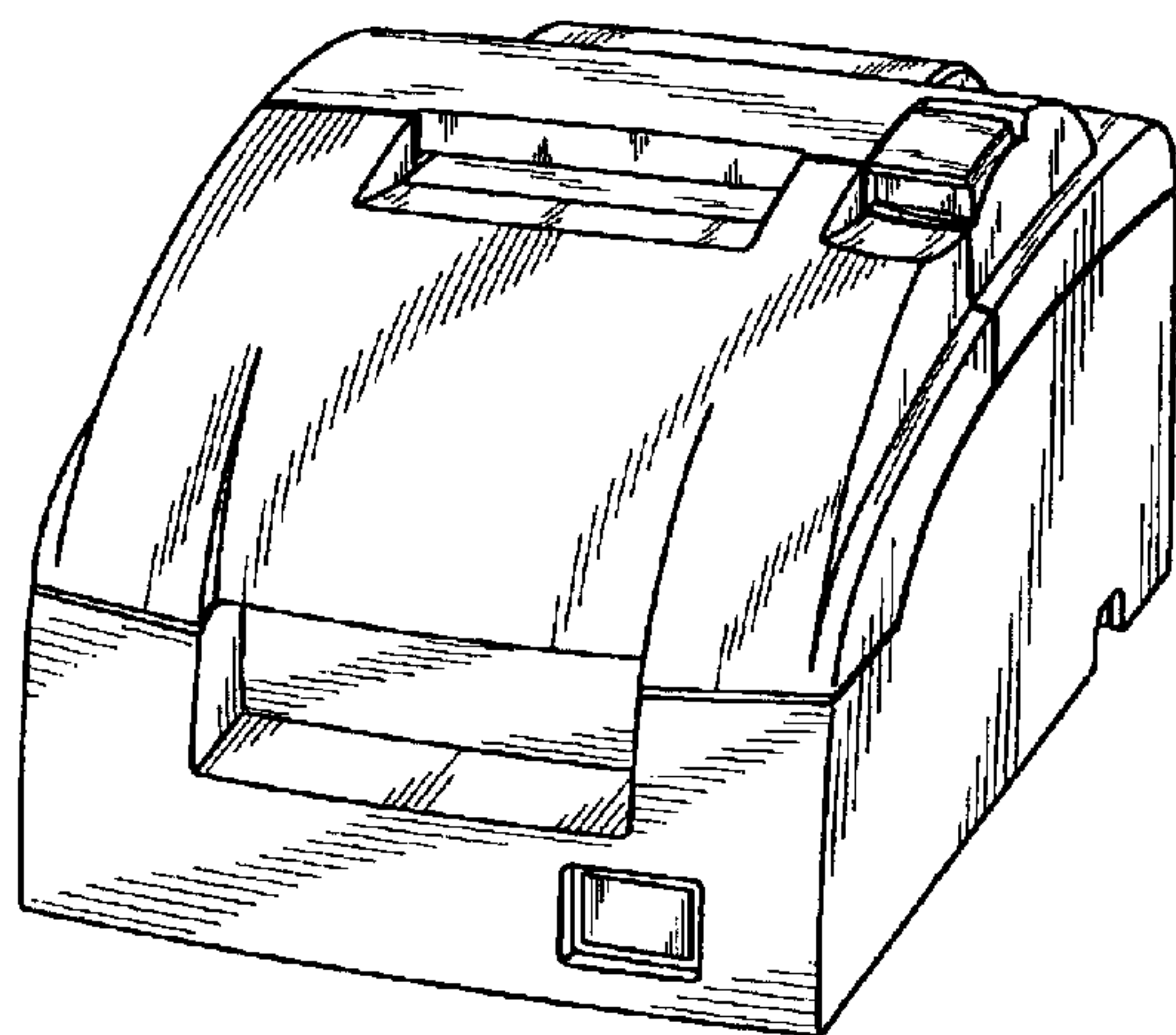
(57) **CLAIM**

The ornamental design for a printer, as shown and described.

**DESCRIPTION**

FIG. 1 is a front perspective view of the printer embodying our new design;  
FIG. 2 is a top plan view thereof;  
FIG. 3 is a bottom plan view thereof;  
FIG. 4 is a right side view thereof;  
FIG. 5 is a left side view thereof;  
FIG. 6 is a front view thereof; and,  
FIG. 7 is a rear view thereof.

**1 Claim, 4 Drawing Sheets**



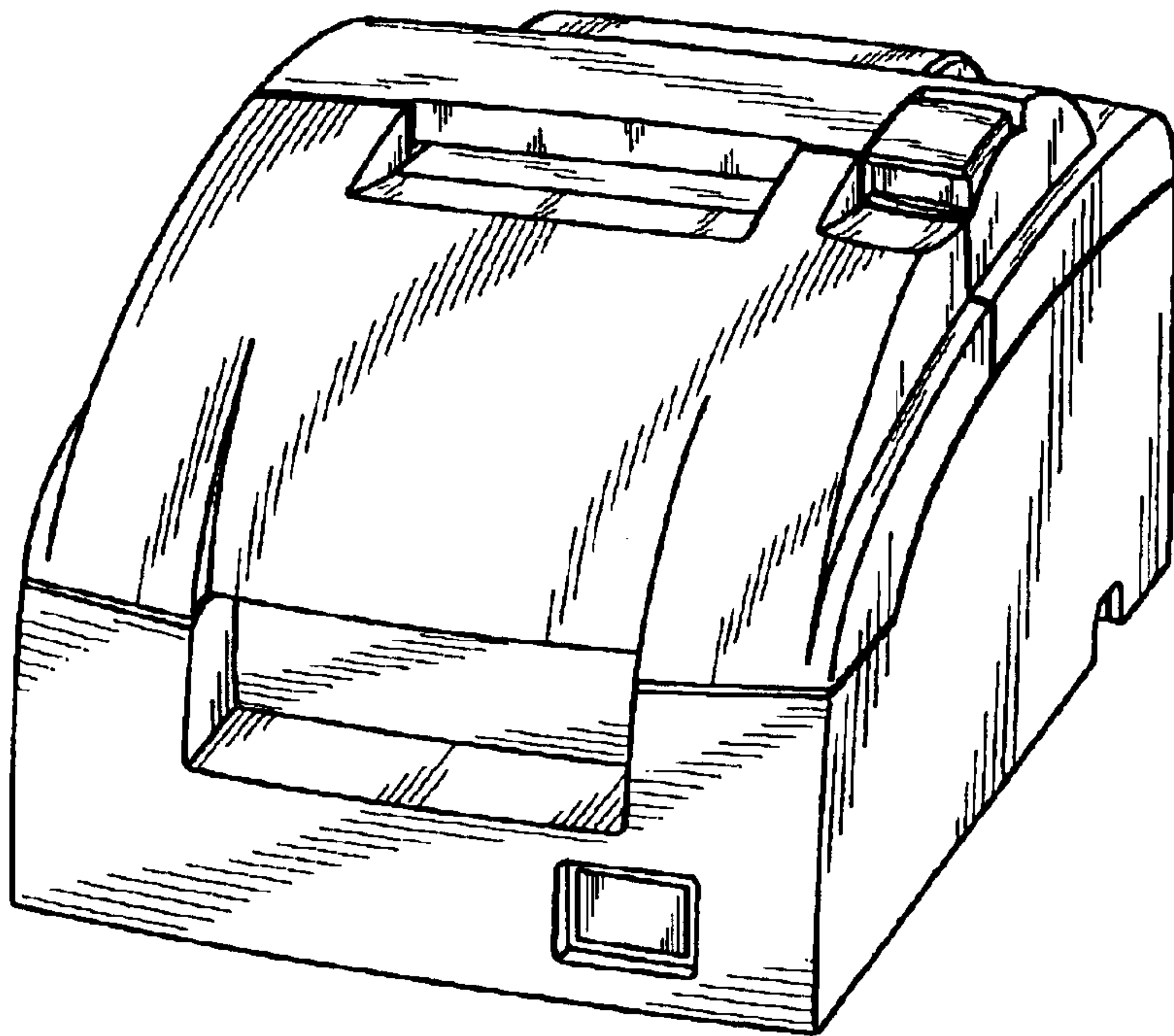


FIG. 1

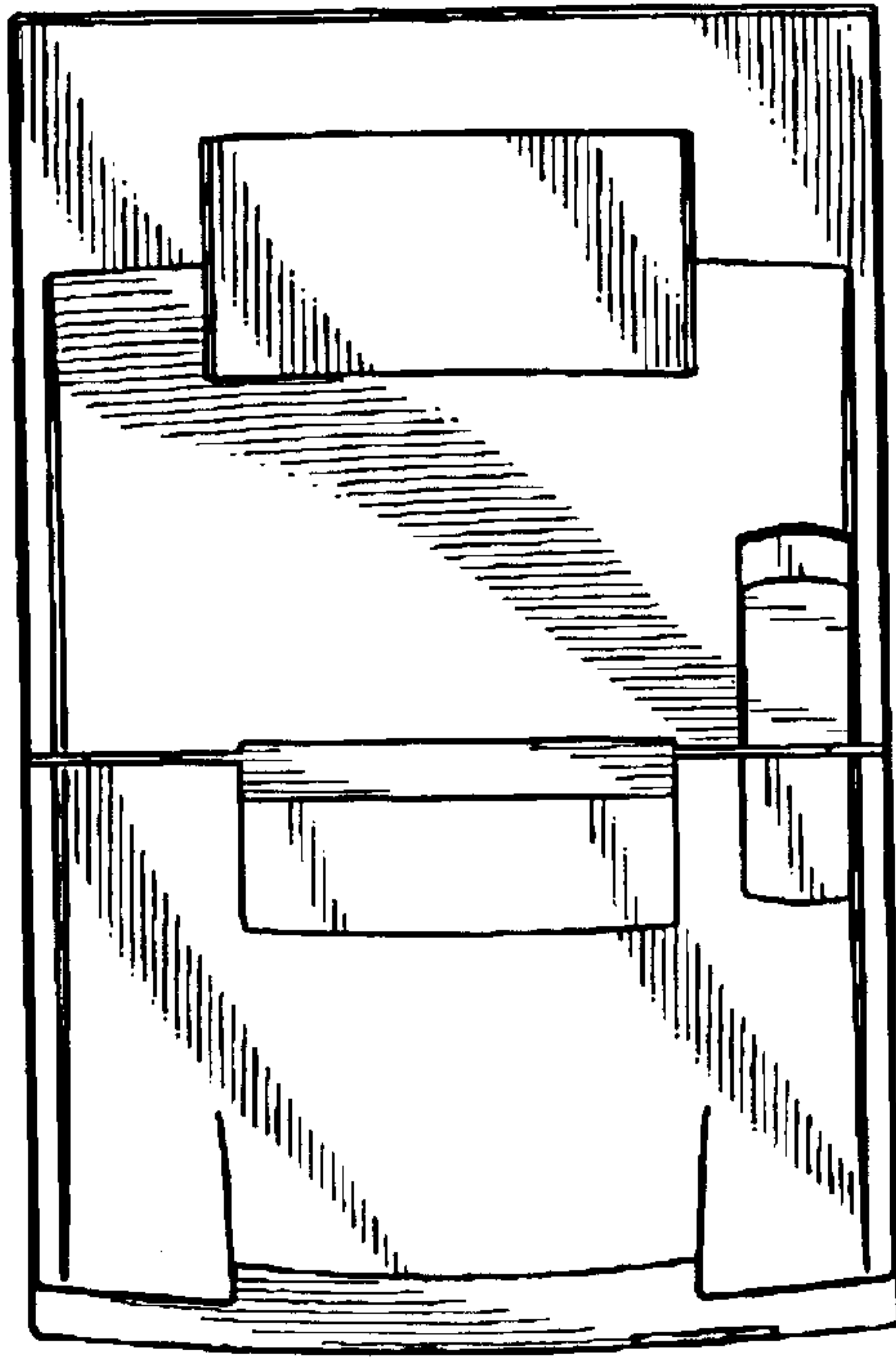


FIG. 2

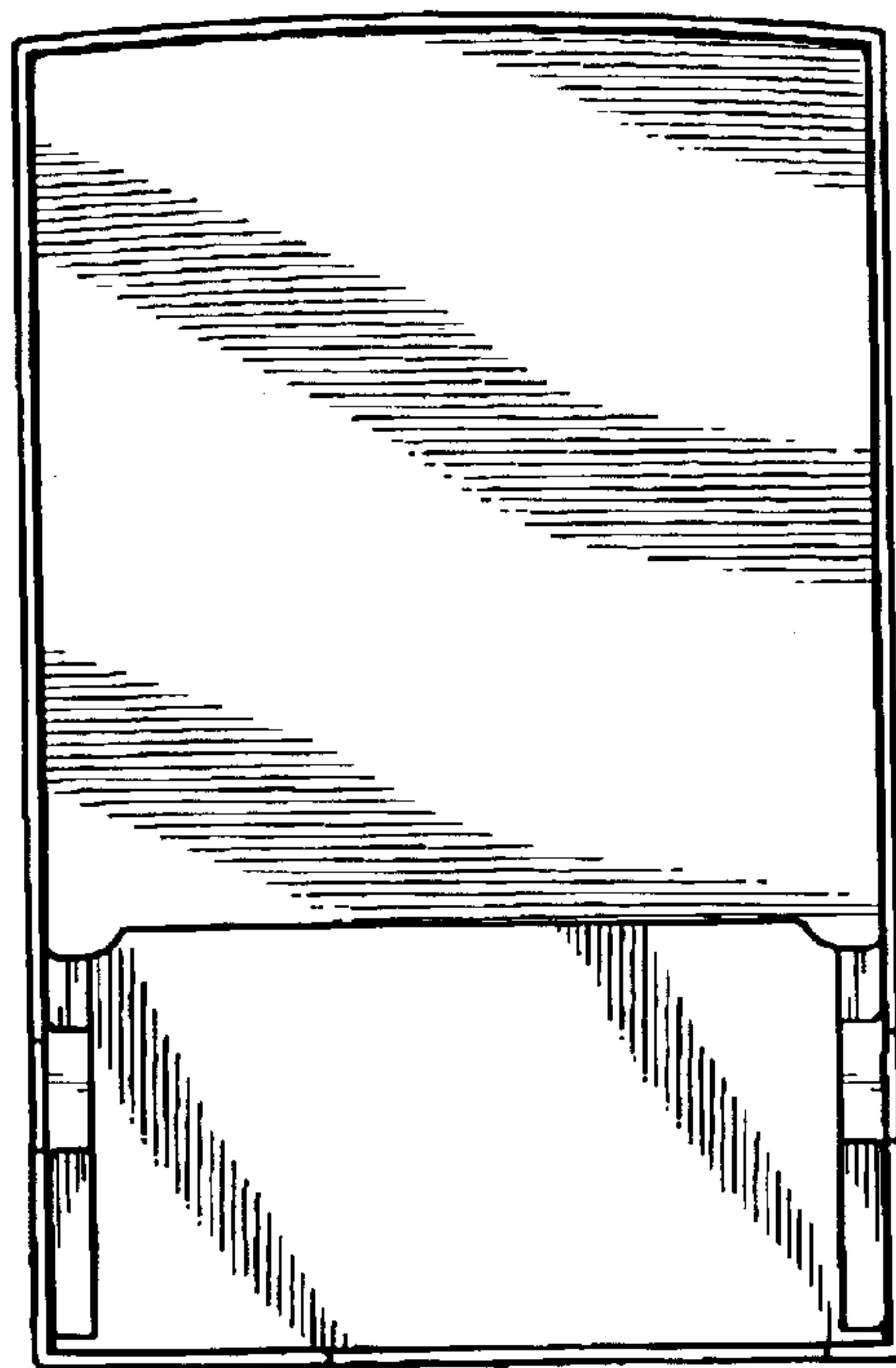


FIG. 3

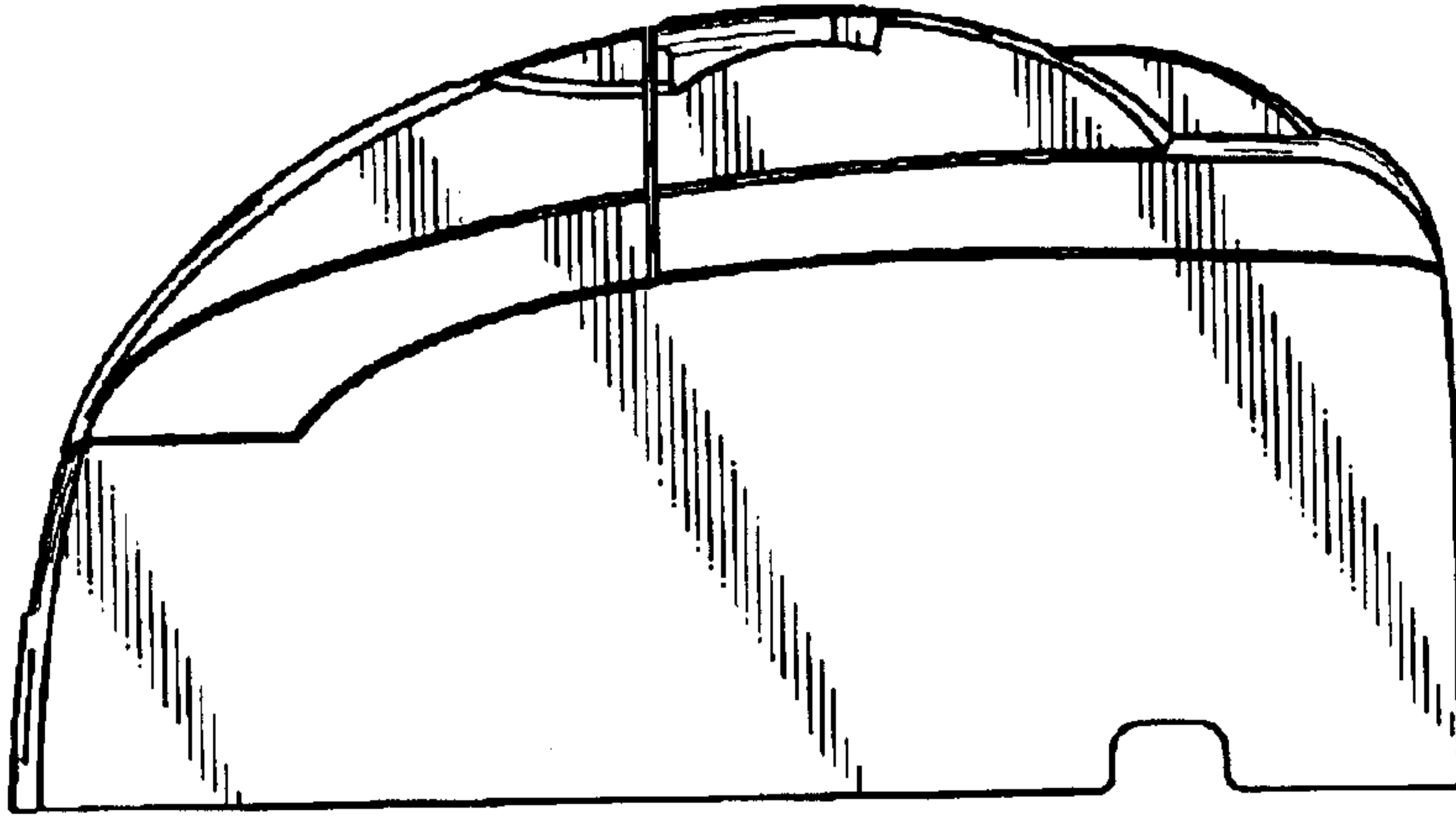


FIG. 4

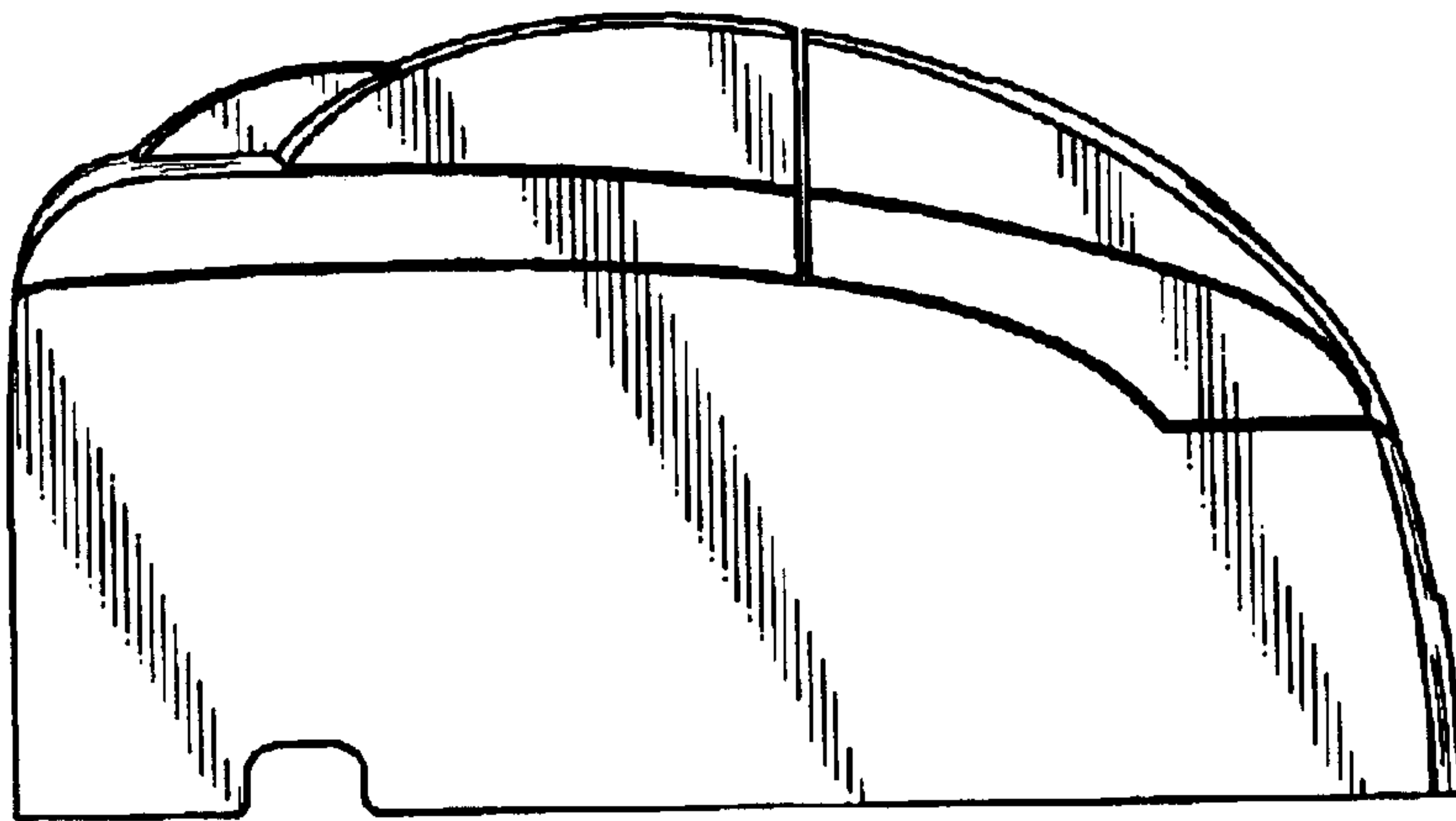


FIG. 5

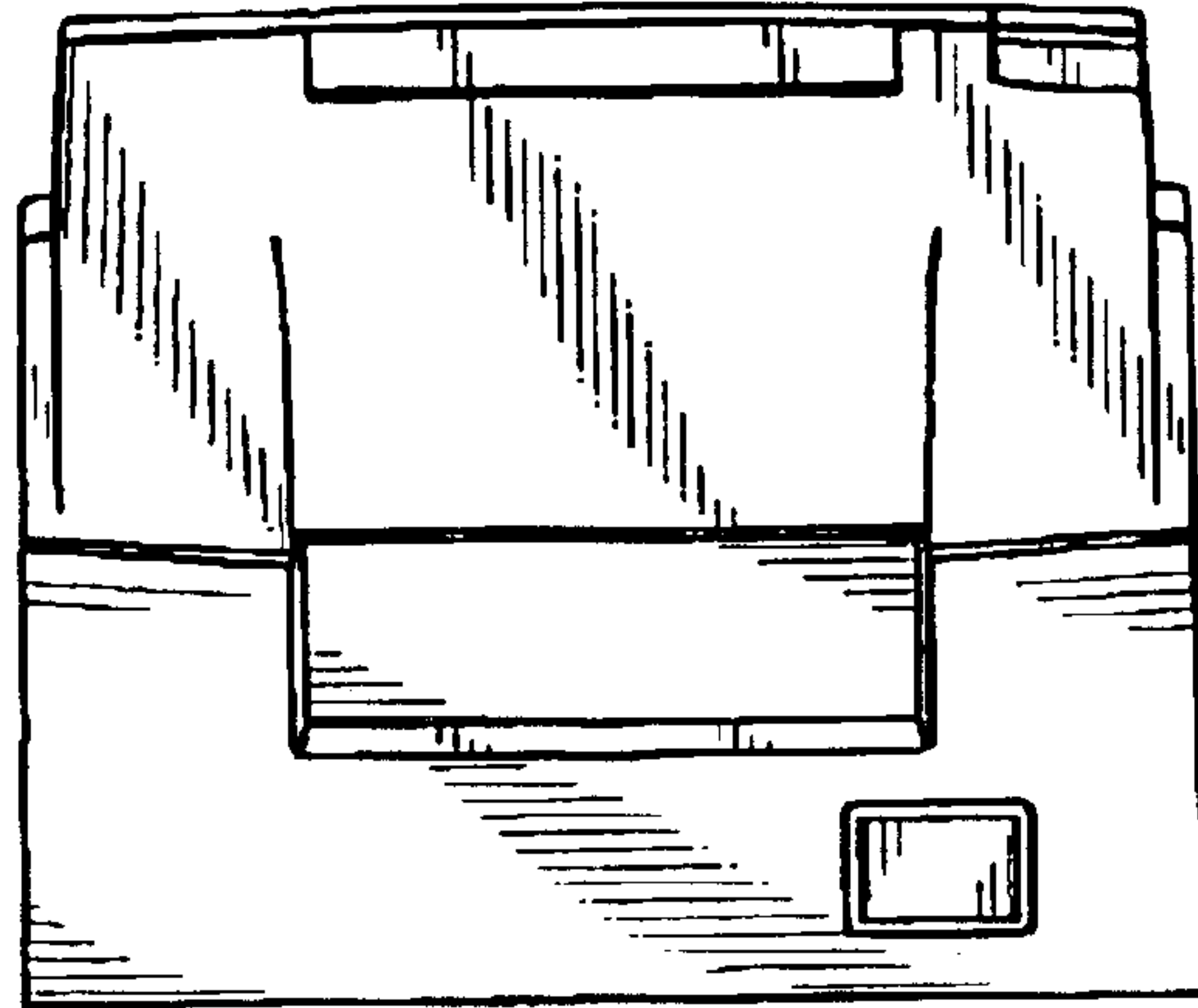


FIG. 6

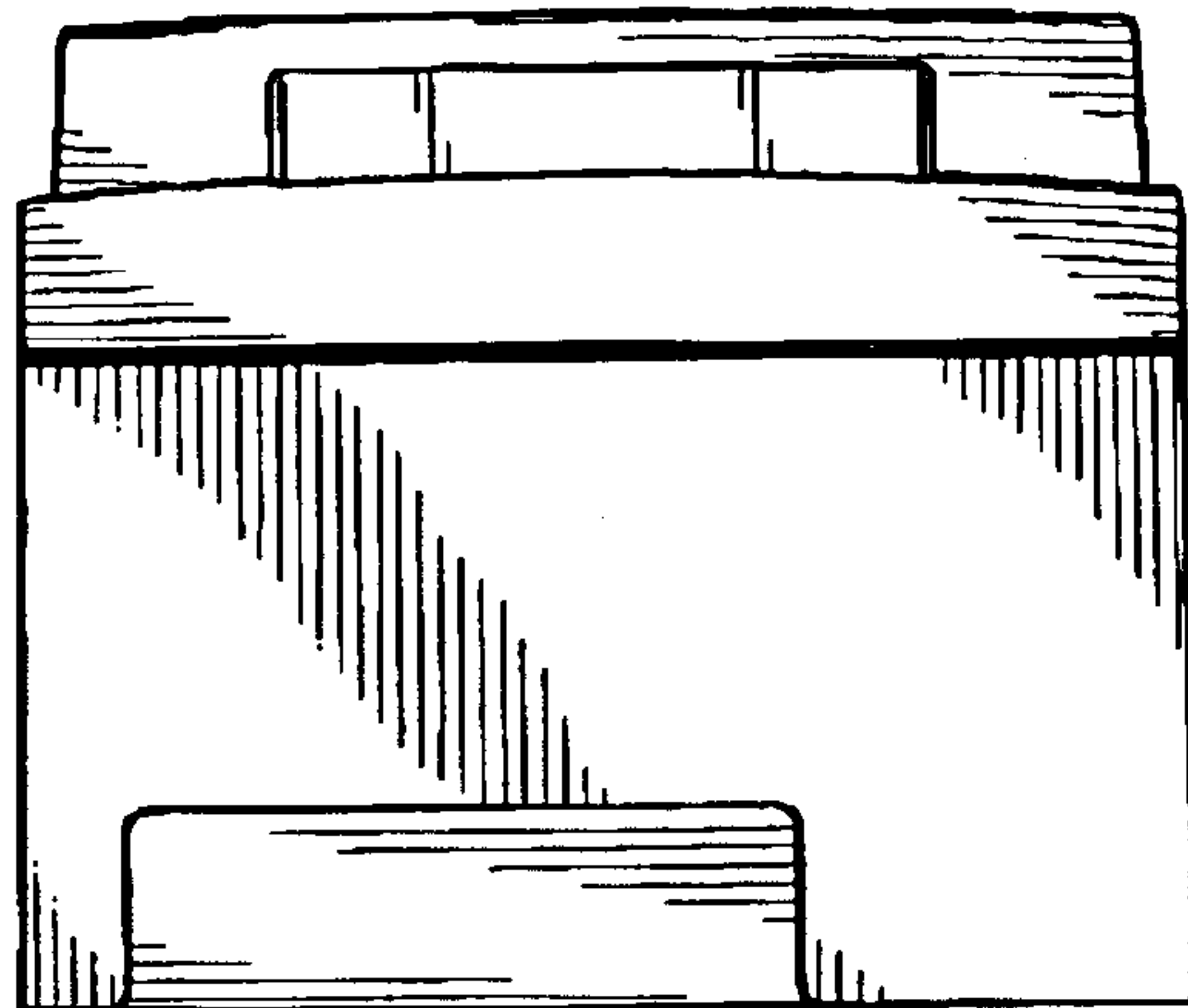


FIG. 7