



US00D491212S

(12) **United States Design Patent**  
**Yik et al.**

(10) **Patent No.:** **US D491,212 S**

(45) **Date of Patent:** **\*\* Jun. 8, 2004**

(54) **CAMERA**

(75) Inventors: **Kai Chung Franco Yik**, Hong Kong (CN); **Luc Mathern**, Hong Kong (CN); **Steve Buescher**, Pembroke Pines, FL (US)

(73) Assignee: **Concord Camera Corp**, Hollywood, FL (US)

(\*\*) Term: **14 Years**

(21) Appl. No.: **29/167,106**

(22) Filed: **Sep. 9, 2002**

(51) **LOC (7) Cl.** ..... **16-01**

(52) **U.S. Cl.** ..... **D16/202; D16/218**

(58) **Field of Search** ..... **D16/200-206, D16/208, 209, 218; 396/535-541**

(56) **References Cited**

**U.S. PATENT DOCUMENTS**

- 5,708,897 A \* 1/1998 Manabe et al. .... 396/535
- D415,508 S \* 10/1999 Shinano ..... D16/202
- D418,851 S \* 1/2000 Goto et al. .... D16/202

- D418,854 S \* 1/2000 Hayashi ..... D16/209
- D446,536 S \* 8/2001 Kim ..... D16/209
- D471,220 S \* 3/2003 Hamamura ..... D16/202

\* cited by examiner

*Primary Examiner*—Adir Aronovich

(74) *Attorney, Agent, or Firm*—Scott L. Lampert; Kerry Sisselman

(57) **CLAIM**

The ornamental design for a camera, as shown and described.

**DESCRIPTION**

FIG. 1 is a front perspective view of a camera showing our new design.

FIG. 2 is a rear perspective view thereof.

FIG. 3 is a front elevational view thereof.

FIG. 4 is a rear elevational view thereof.

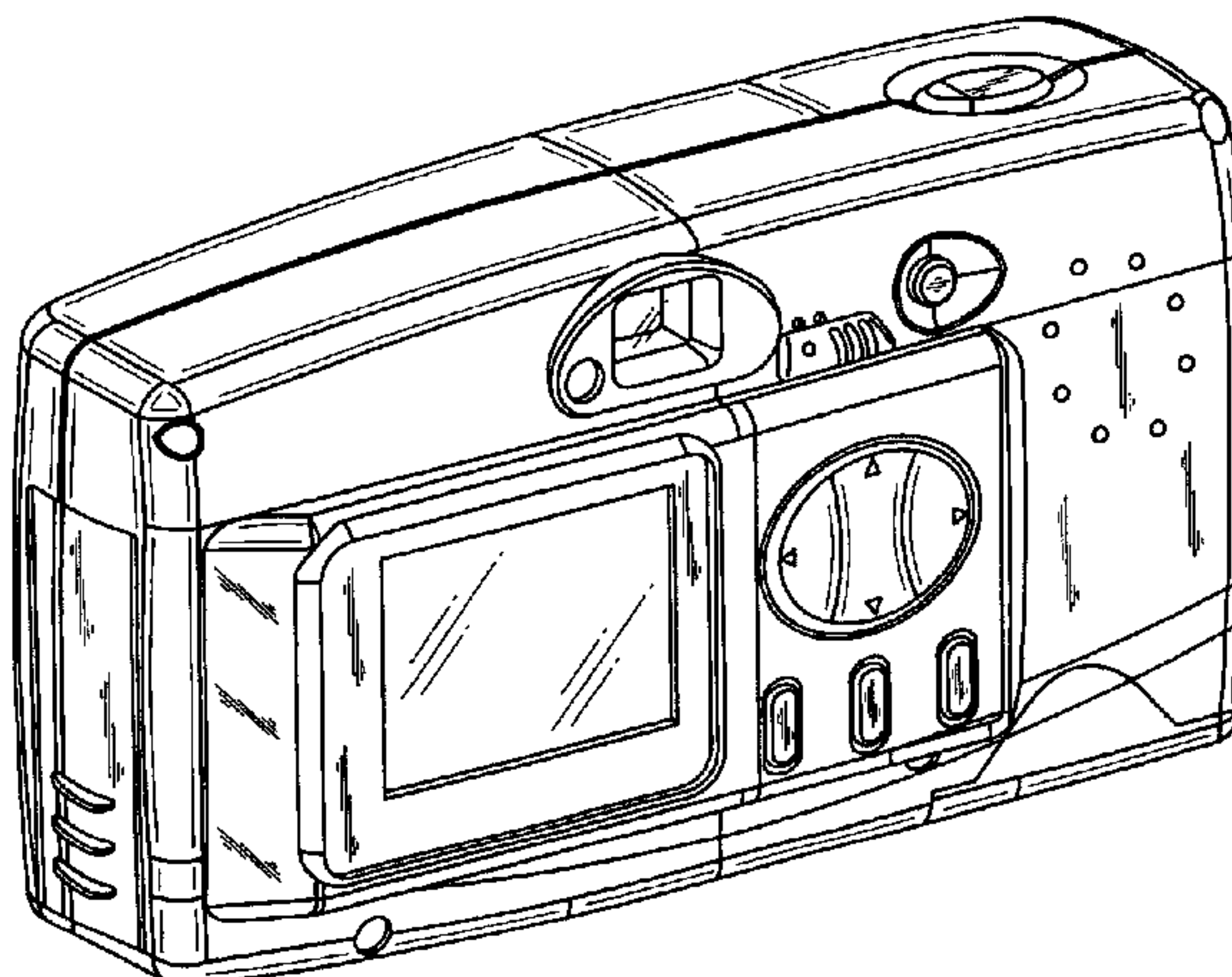
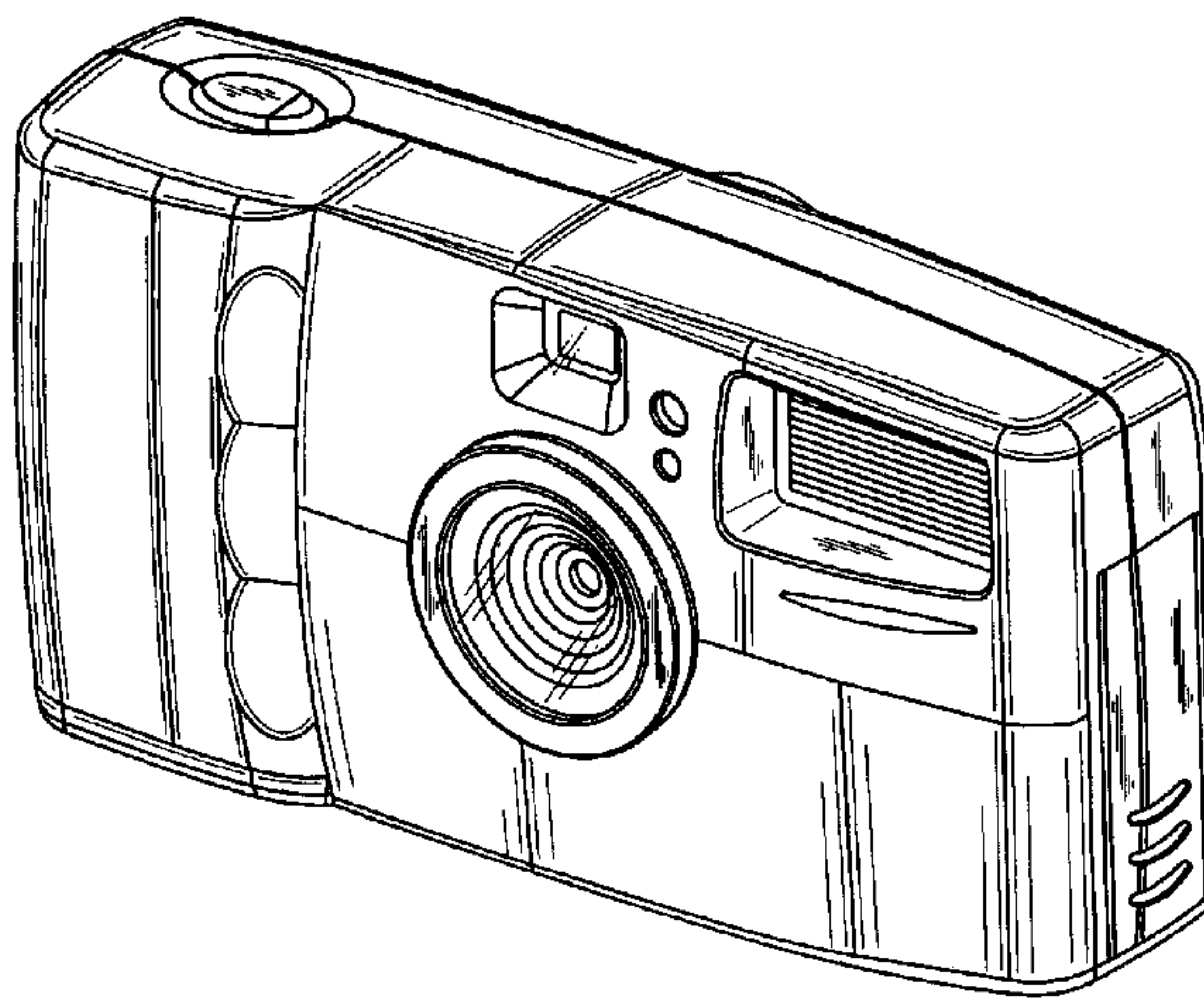
FIG. 5 is a bottom plan view thereof.

FIG. 6 is a top plan view thereof.

FIG. 7 is a right side elevational view thereof; and,

FIG. 8 is a left side elevational view thereof.

**1 Claim, 4 Drawing Sheets**



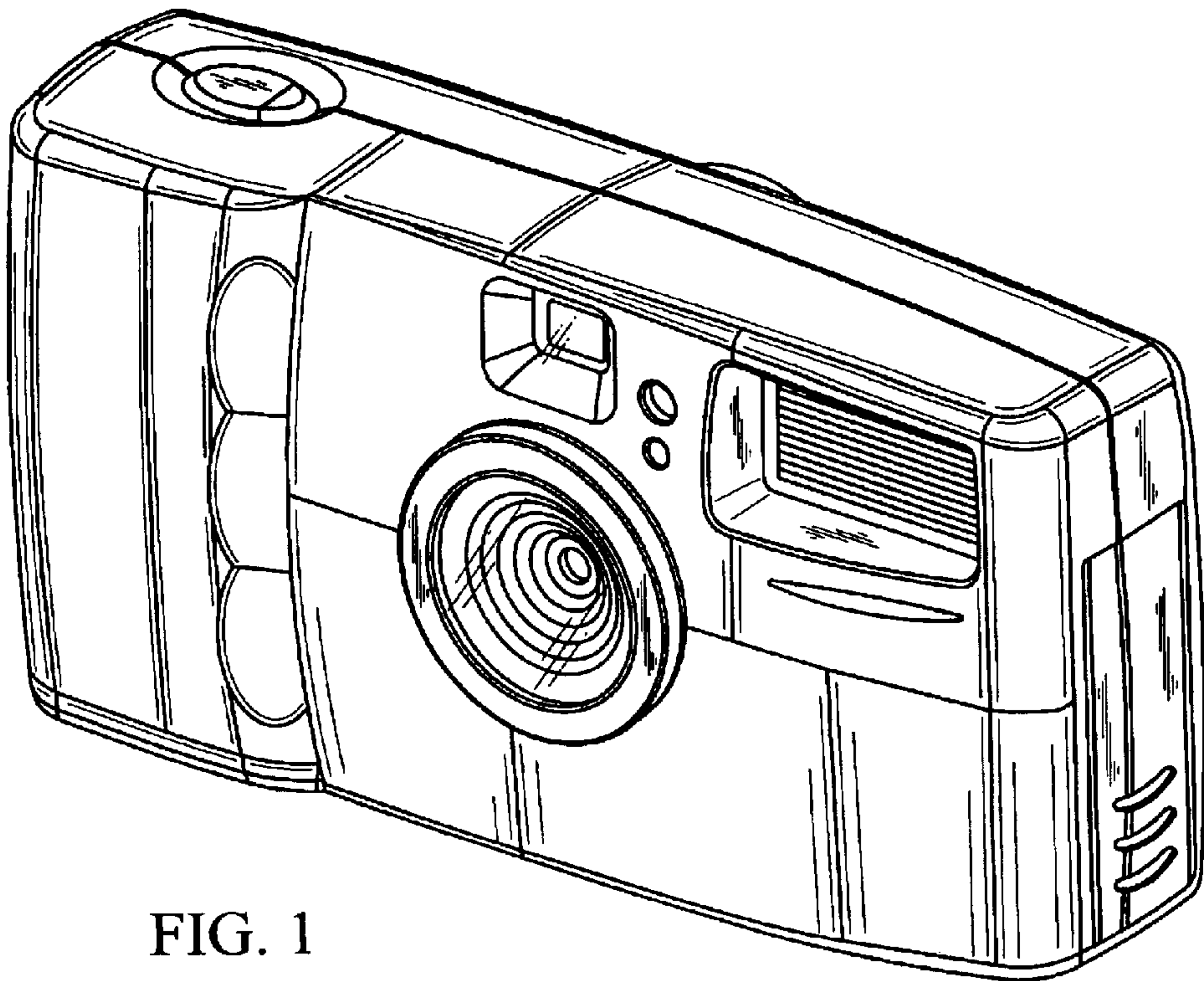


FIG. 1

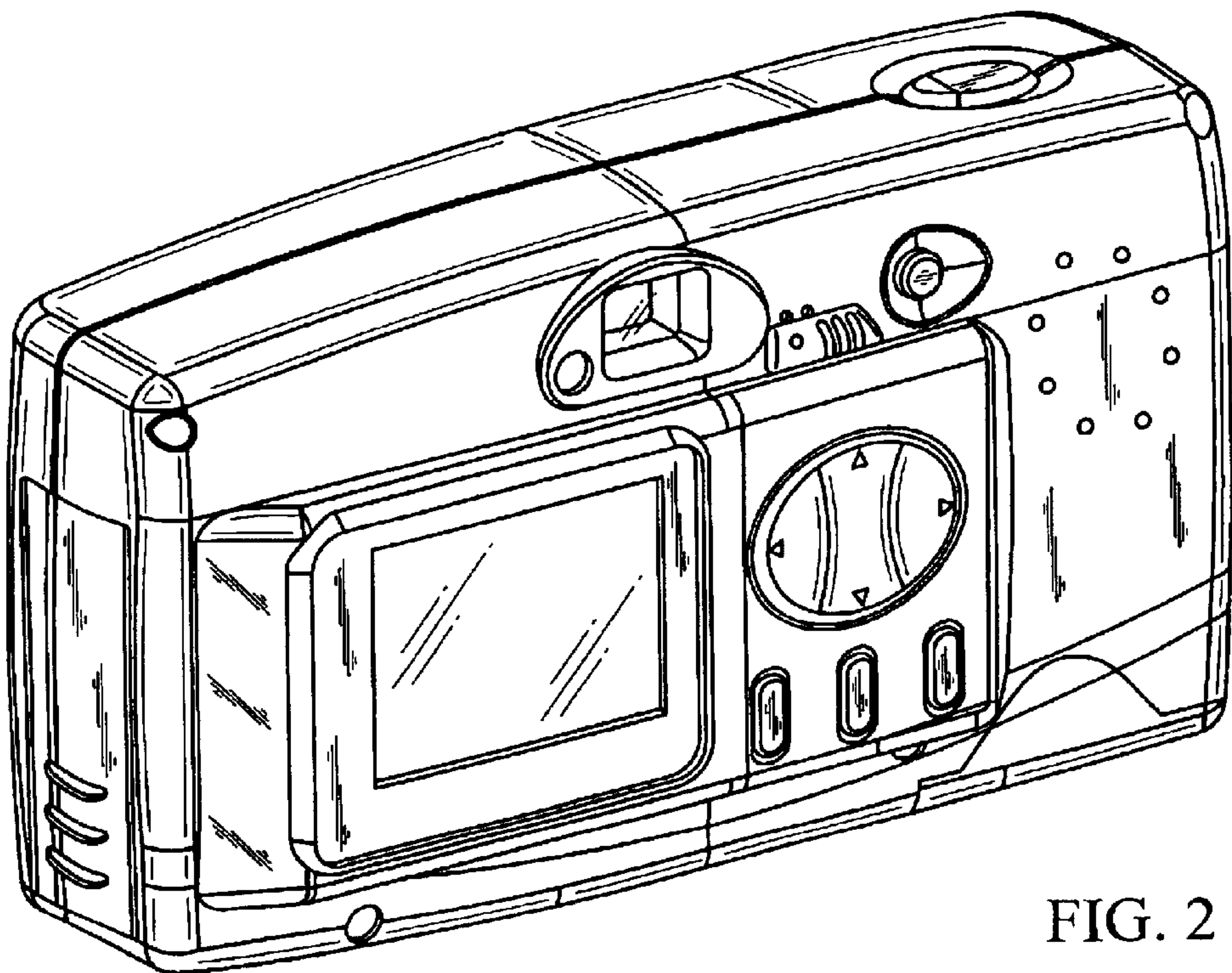


FIG. 2

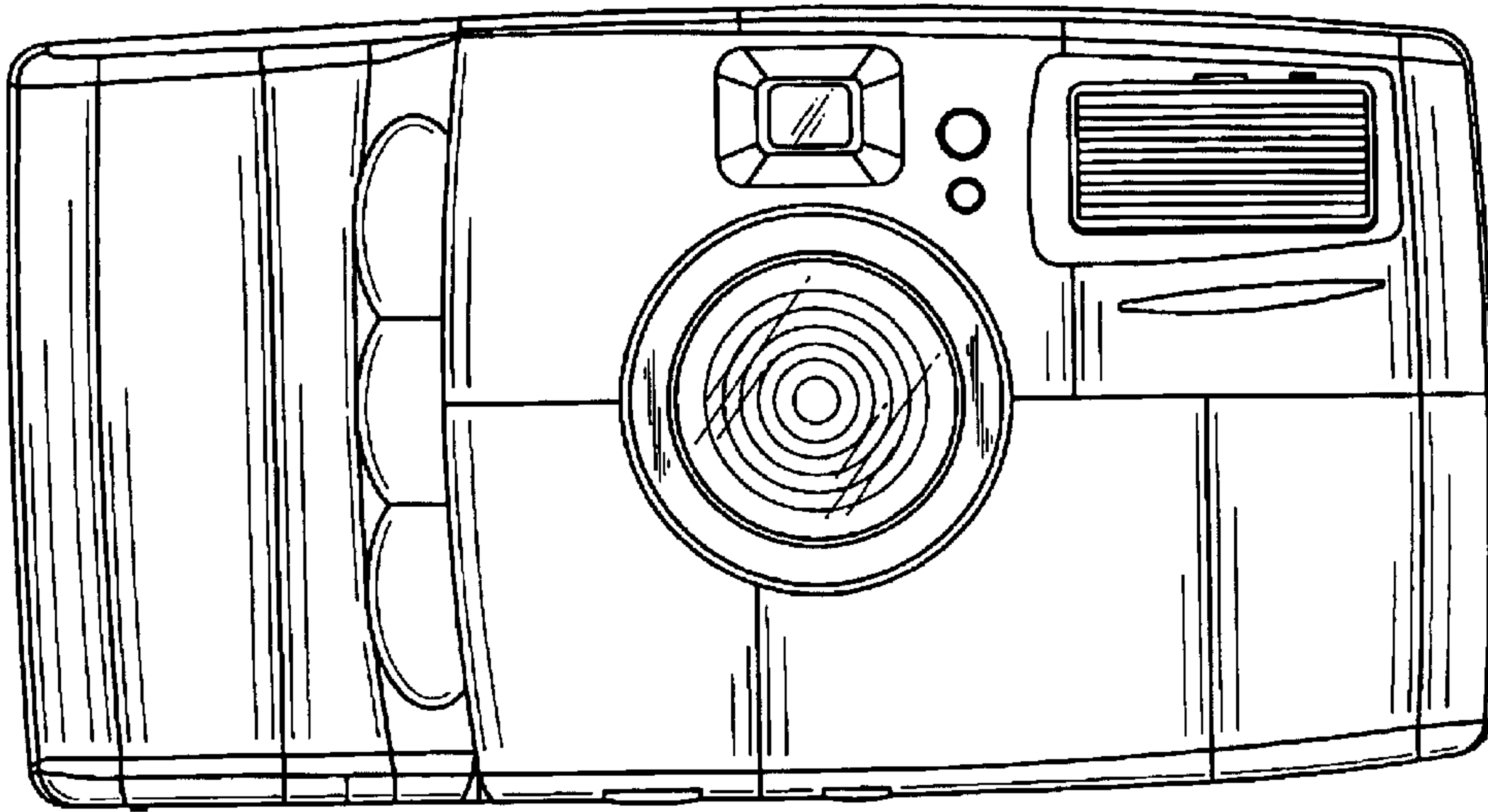


FIG. 3

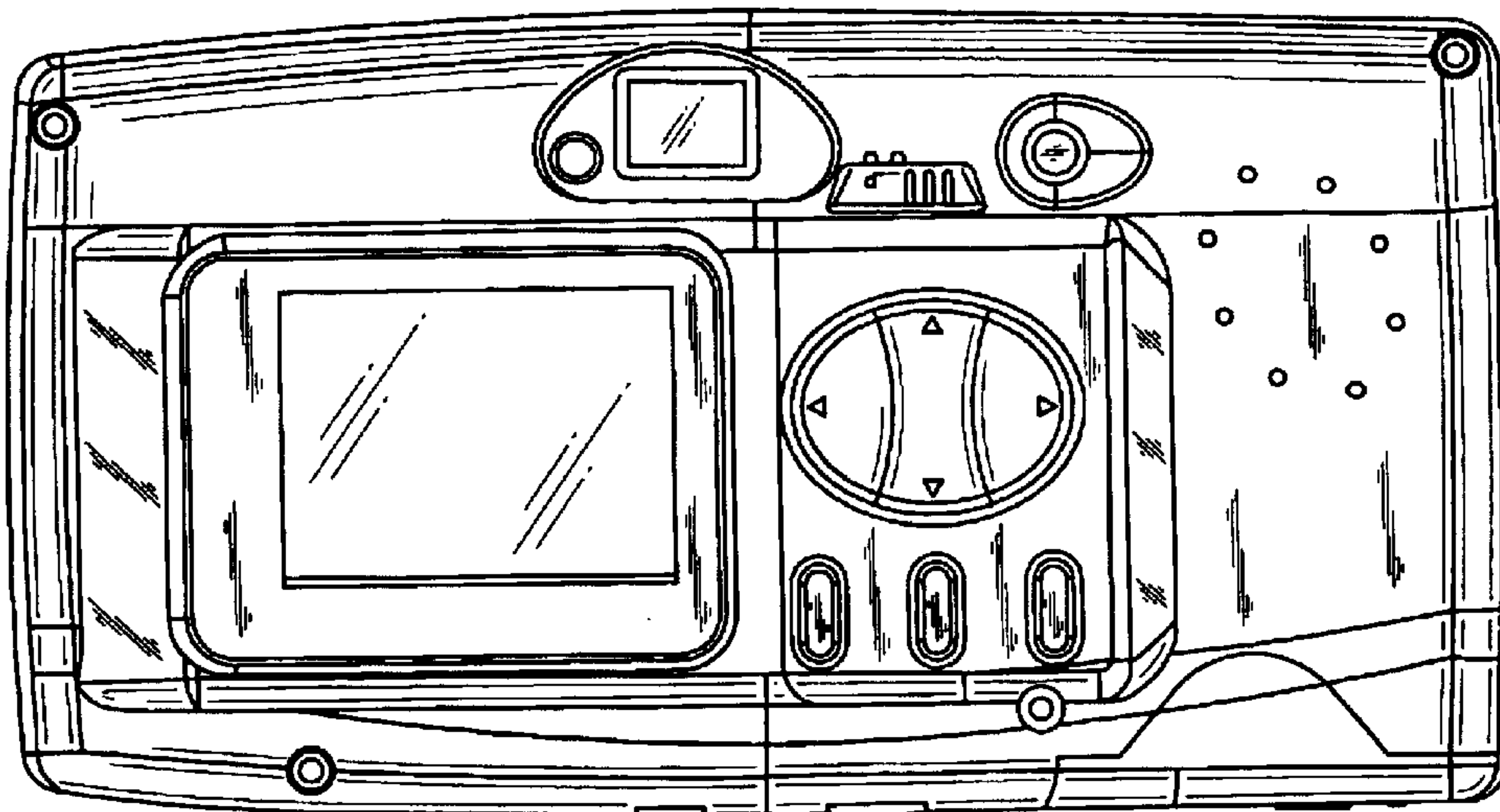


FIG. 4



FIG. 5

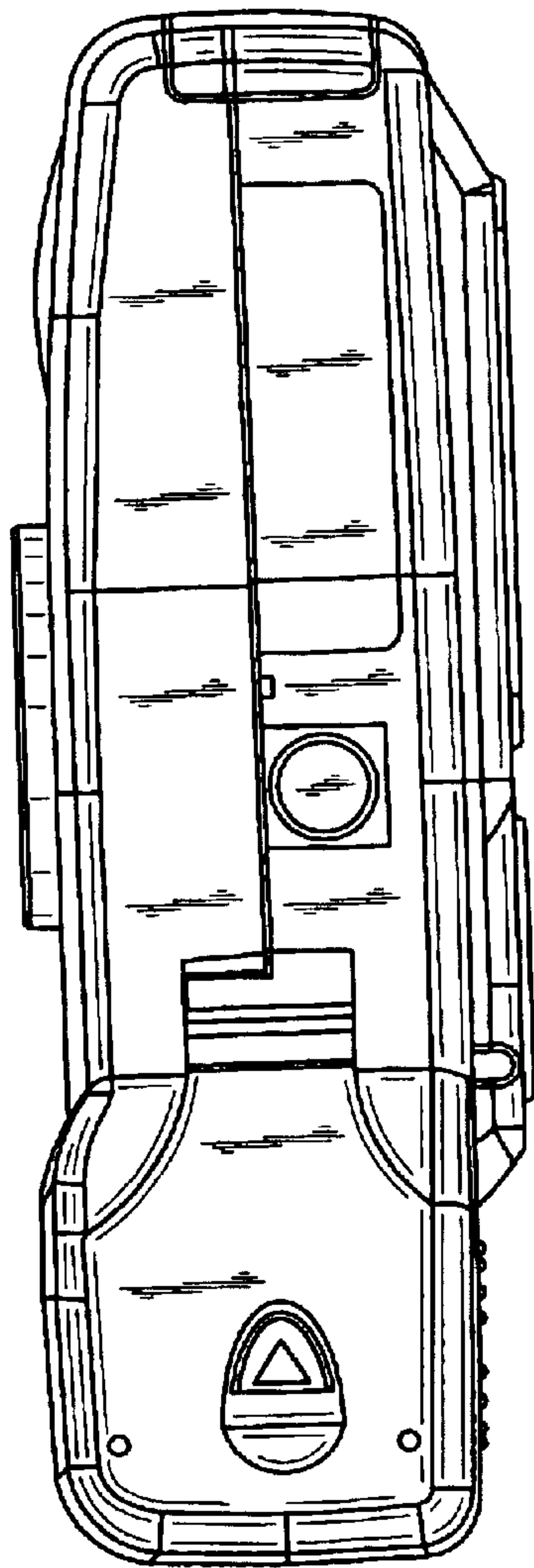
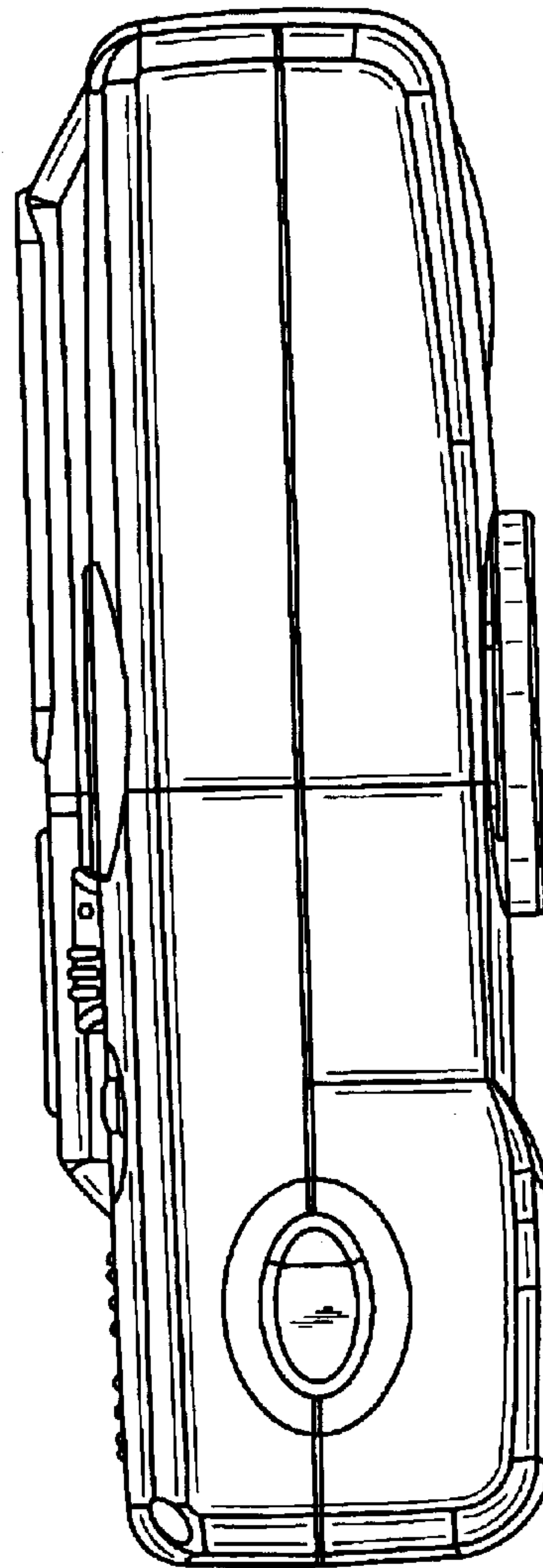


FIG. 6



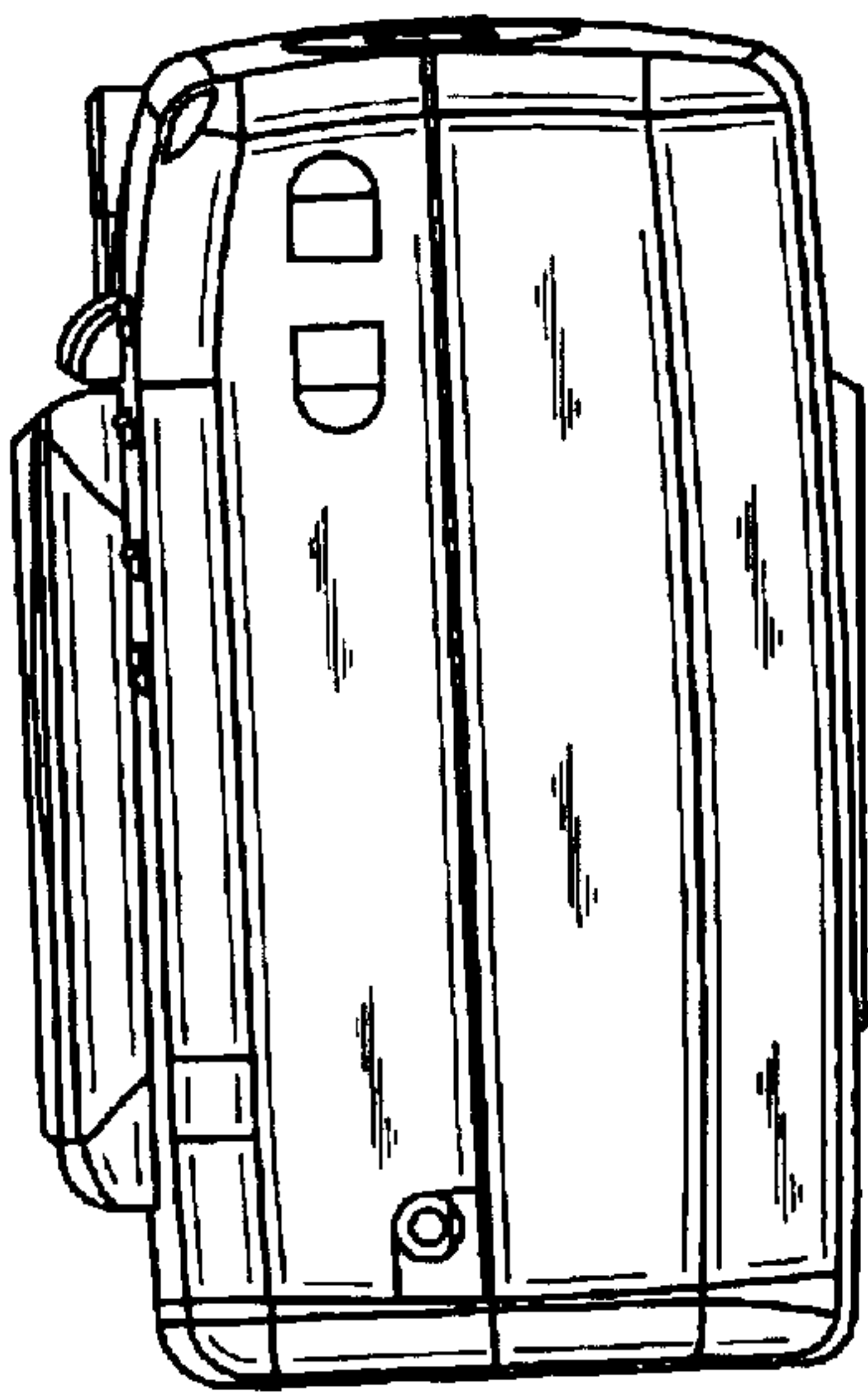


FIG. 7



FIG. 8