



US00D491211S

(12) **United States Design Patent**
Giampavolo et al.

(10) **Patent No.:** **US D491,211 S**

(45) **Date of Patent:** **** Jun. 8, 2004**

(54) **LABEL ENLARGING DEVICE**

6,233,102 B1 * 5/2001 Hogan, Jr. 359/802
6,597,523 B2 * 7/2003 Giampavolo et al. 359/802

(76) Inventors: **Paul Giampavolo**, 9 Hasta Way,
Newton, NJ (US) 07860; **Christine**
Giampavolo, 9 Hasta Way, Newton, NJ
(US) 07860

* cited by examiner

Primary Examiner—Paula A. Greene
(74) *Attorney, Agent, or Firm*—Ostrolenk, Faber Gerb &
Soffen, LLP

(**) Term: **14 Years**

(21) Appl. No.: **29/179,798**

(57) **CLAIM**

(22) Filed: **Apr. 14, 2003**

The ornamental design for a label enlarging device, as shown and described.

Related U.S. Application Data

DESCRIPTION

(63) Continuation-in-part of application No. 09/957,578, filed on
Mar. 23, 2001, now Pat. No. 6,597,523.

FIG. 1 is a front perspective view of the design of the label enlarging device;

(51) **LOC (7) Cl.** **16-06**

FIG. 2 is a rear plan view of the design;

(52) **U.S. Cl.** **D16/135**

FIG. 3 is a top plan view of the design;

(58) **Field of Search** D16/130, 135;
359/742, 798, 799, 800, 801, 802, 803,
806, 809, 810, 819, 822

FIG. 4 is a bottom plan view of the design;

FIG. 5 is a left side plan view of the design; and,

FIG. 6 is a right side plan view of the design.

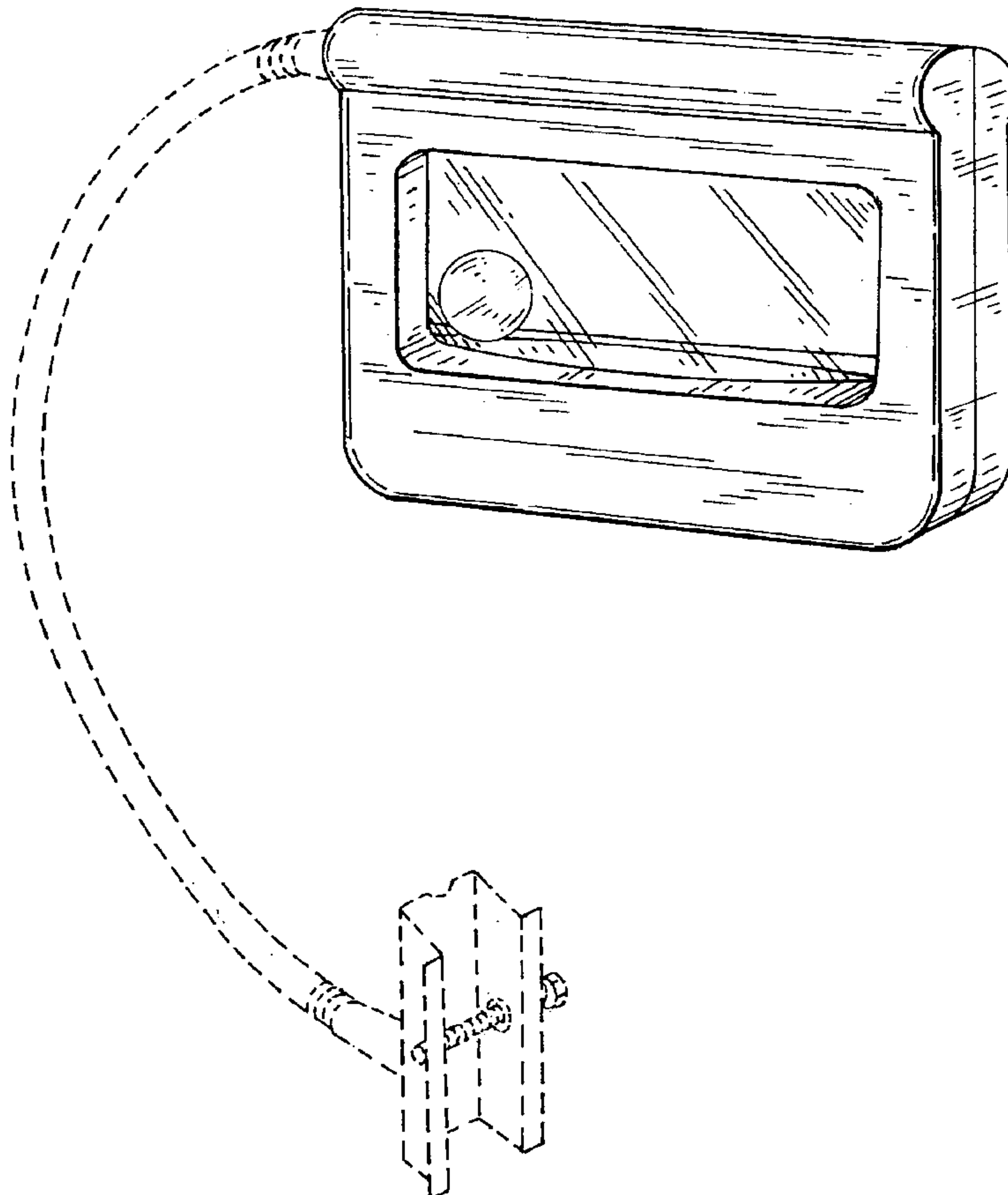
The broken lines showing the bracket and cable in FIG. 1 and a portion of the cable on FIGS. 2 and 5 are for illustrative purposes only and form no part of the claimed design.

(56) **References Cited**

U.S. PATENT DOCUMENTS

D229,231 S * 11/1973 Beeren D16/135
D291,448 S * 8/1987 Tai-Kam D16/135

1 Claim, 2 Drawing Sheets



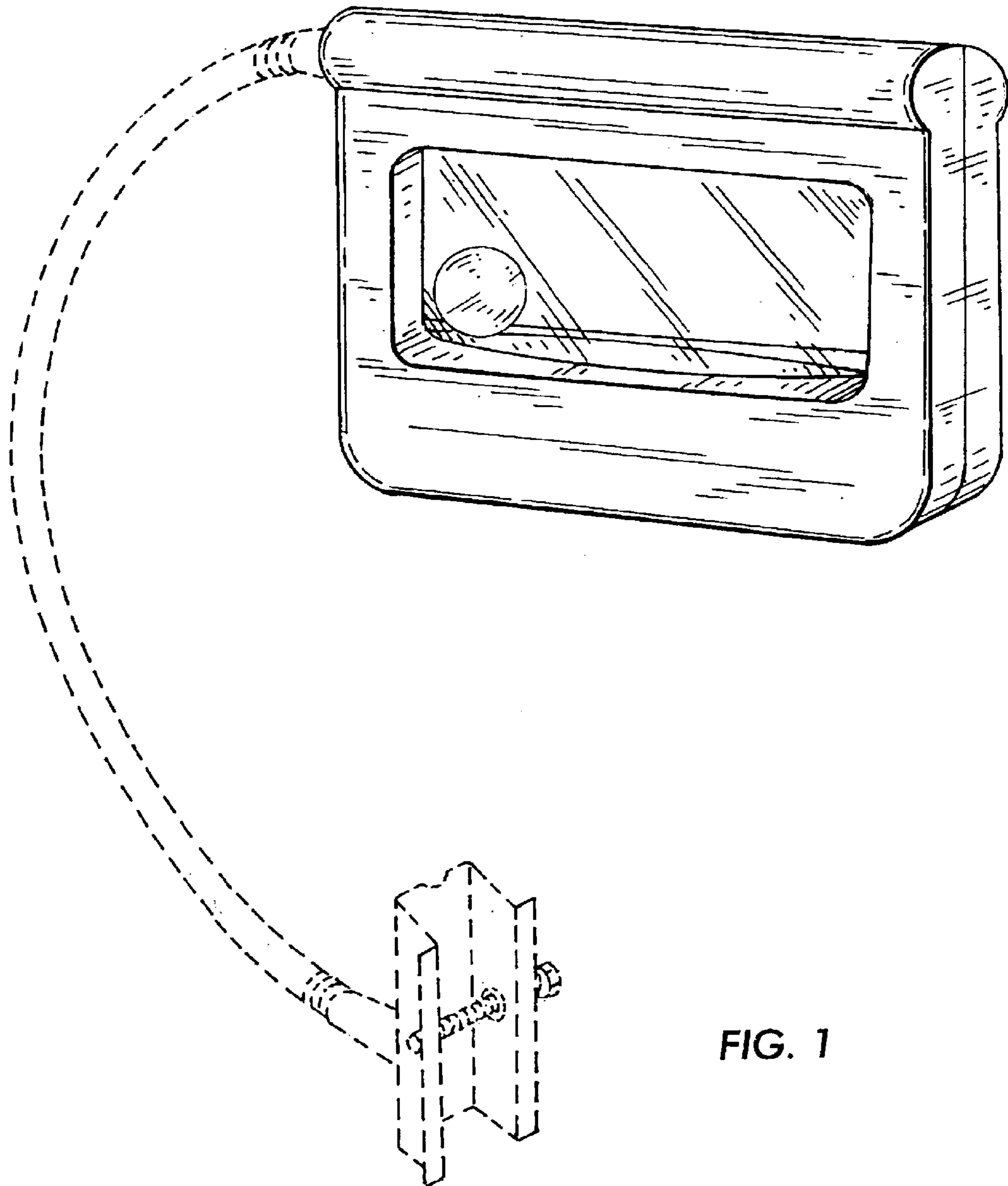


FIG. 1

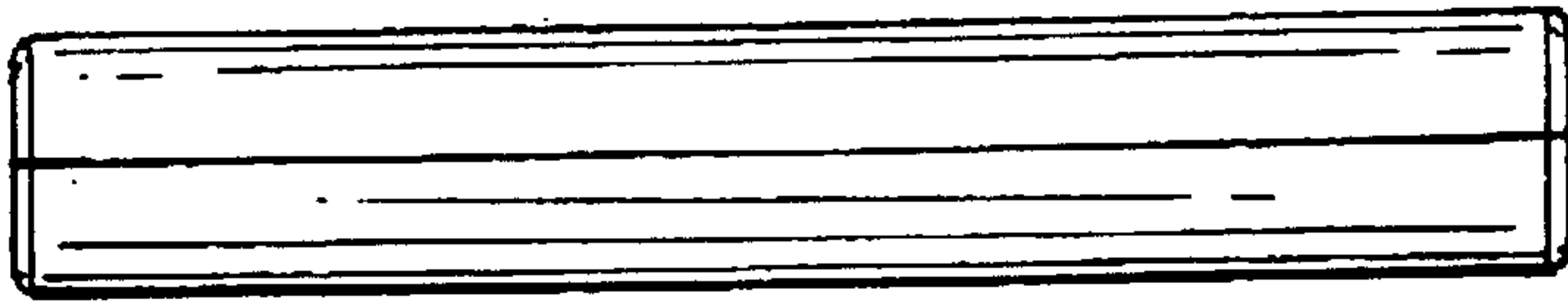


FIG. 3

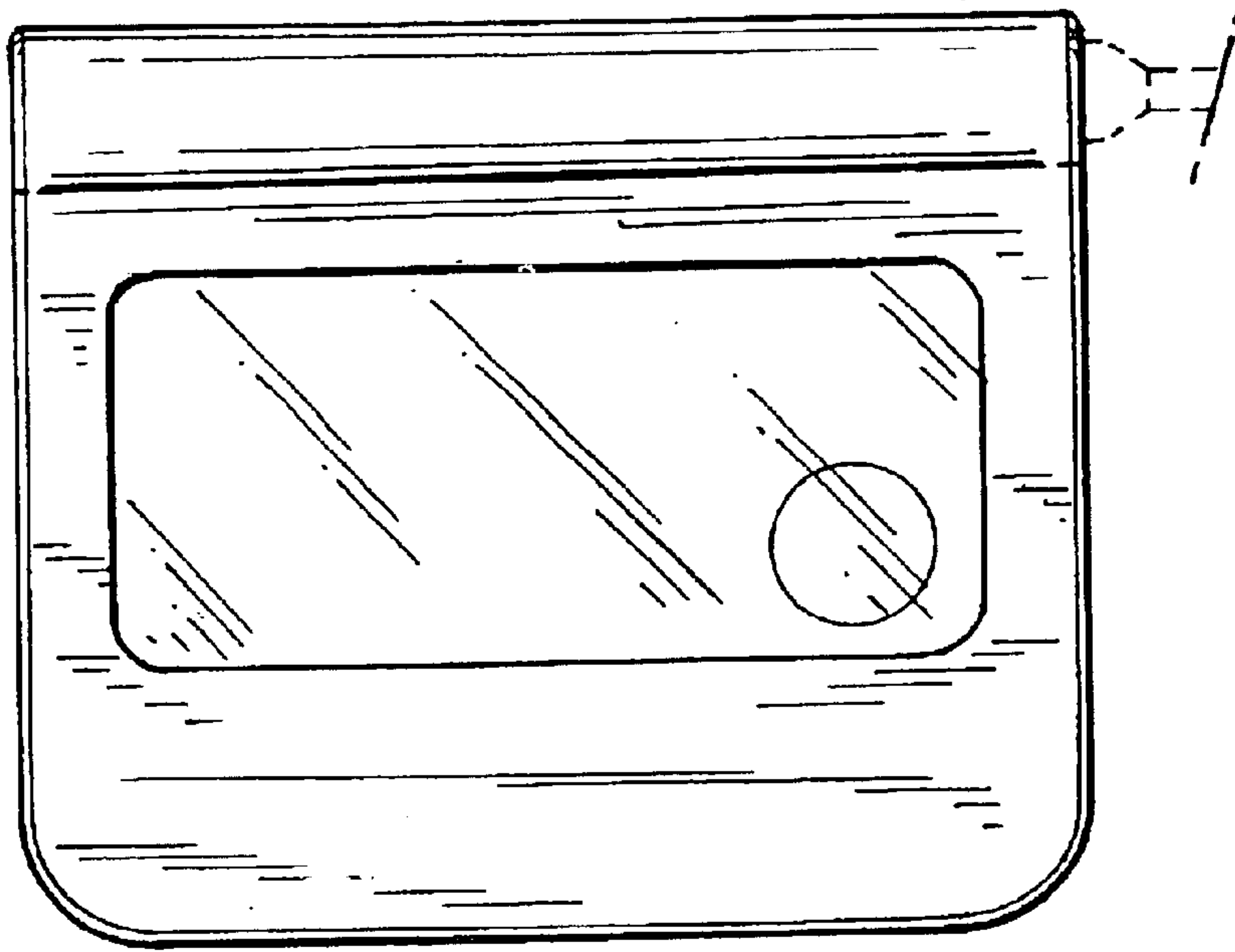


FIG. 2

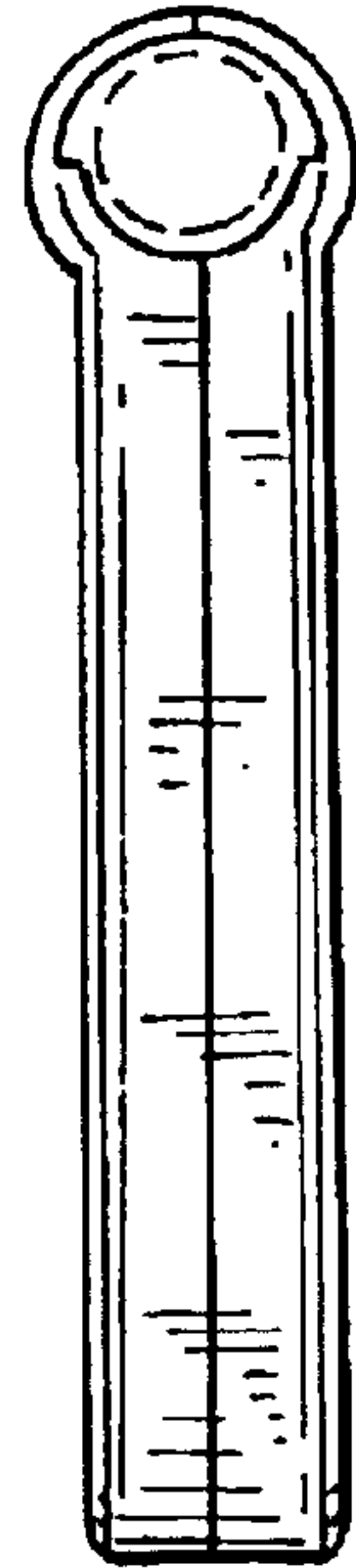


FIG. 5

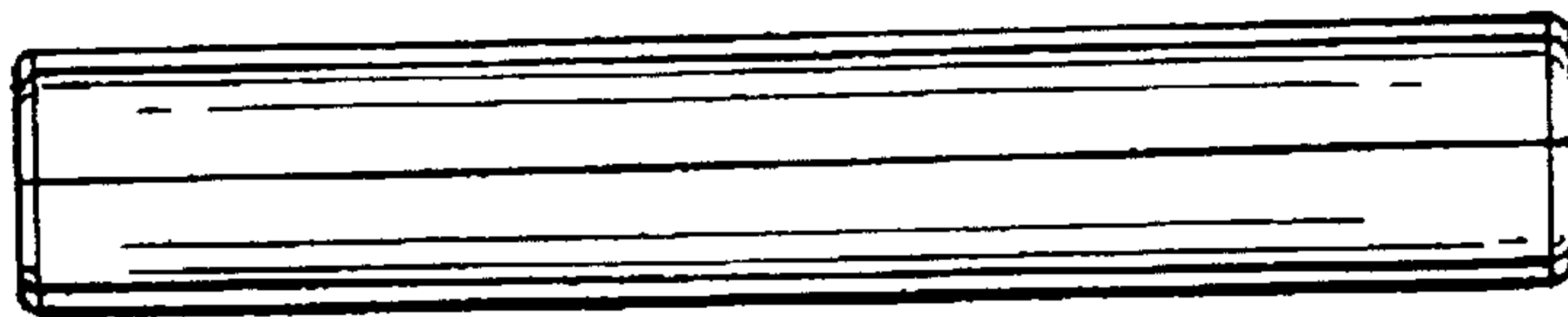


FIG. 4

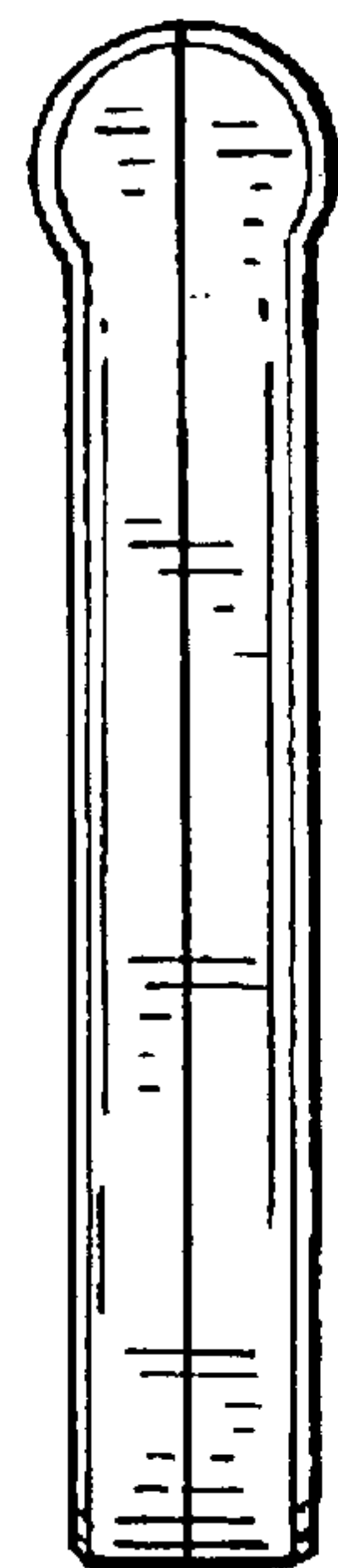


FIG. 6