



US00D491207S

(12) **United States Design Patent**
Gunderson

(10) **Patent No.:** **US D491,207 S**

(45) **Date of Patent:** **** Jun. 8, 2004**

(54) **PARTICLE SEPARATOR**

(76) Inventor: **Roger Lynn Gunderson**, PMB 2072
713 W. Spruce St., Deming, NM (US)
88030

(**) Term: **14 Years**

(21) Appl. No.: **29/173,148**

(22) Filed: **Dec. 23, 2002**

(51) **LOC (7) Cl.** **15-09**

(52) **U.S. Cl.** **D15/147**

(58) **Field of Search** D15/147; D21/371;
273/144 R, 144 B

(56) **References Cited**

U.S. PATENT DOCUMENTS

4,276,265 A 6/1981 Gillespie
D265,094 S * 6/1982 Williams D15/147
4,361,480 A 11/1982 Corbus et al.

4,472,269 A 9/1984 Swick
4,526,683 A 7/1985 Walker
4,699,382 A * 10/1987 Kabana 273/144 R
4,839,034 A 6/1989 Dahlberg
D351,877 S * 10/1994 Locklear D21/371

* cited by examiner

Primary Examiner—Antoine Duval Davis

(74) *Attorney, Agent, or Firm*—Richard L. Mikesell

(57) **CLAIM**

The ornamental design for a particle separator, as shown and described.

DESCRIPTION

FIG. 1 Top left perspective view.

FIG. 2 Right elevation; and,

FIG. 3 Top Plan.

The broken line showing is for illustrative purposes only and forms no part of the claimed design.

1 Claim, 1 Drawing Sheet

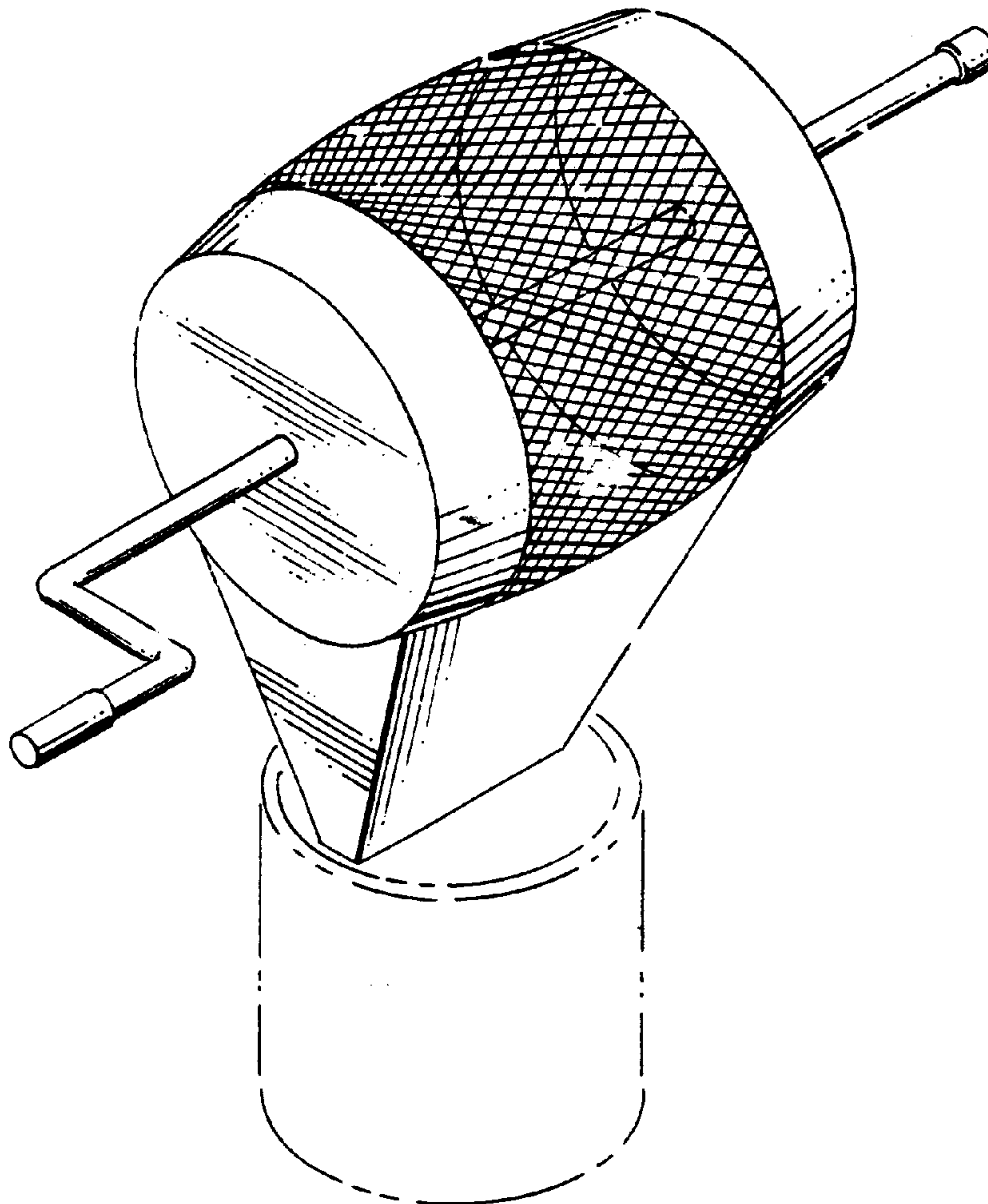


FIG. 1

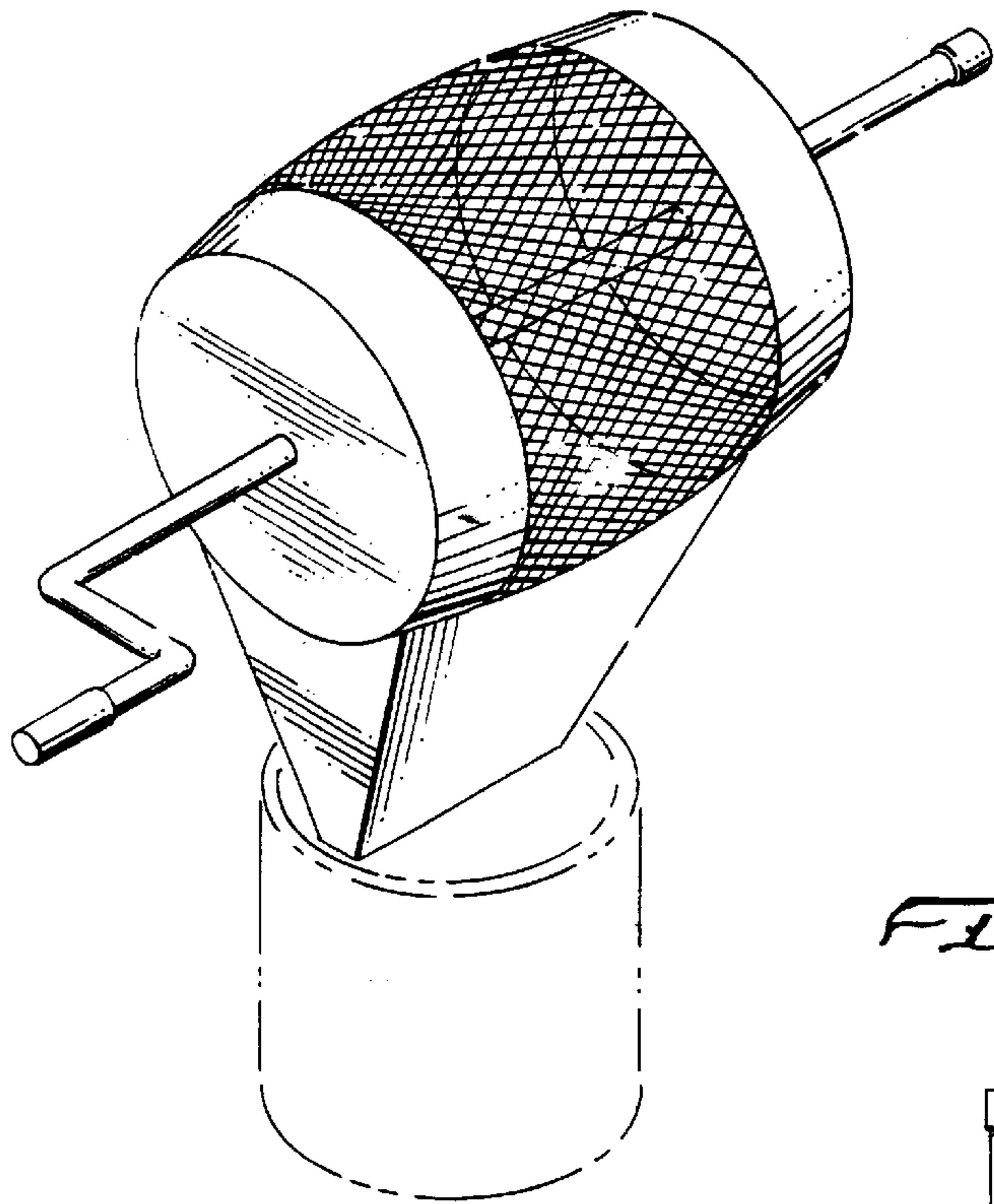


FIG. 2

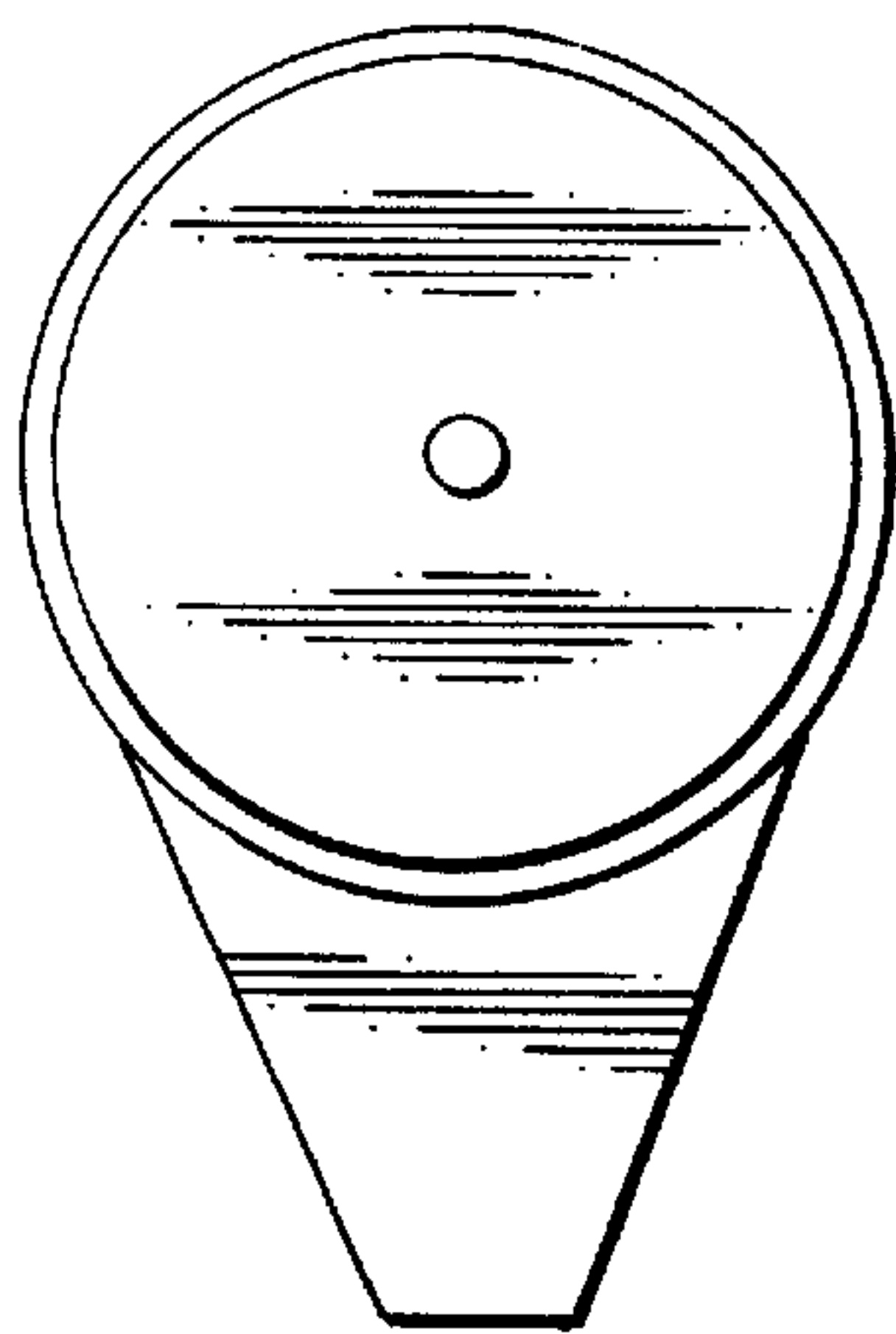


FIG. 3

