



US00D491201S

(12) **United States Design Patent**
Suwa et al.

(10) **Patent No.:** **US D491,201 S**
(45) **Date of Patent:** **** Jun. 8, 2004**

(54) **EMBROIDERY MACHINE**

(75) Inventors: **Kazumi Suwa**, Toyoake (JP); **Kazuo Itho**, Aichi-gun (JP)

(73) Assignee: **Brother Industries, Ltd.**, Nagoya (JP)

(**) Term: **14 Years**

(21) Appl. No.: **29/187,212**

(22) Filed: **Jul. 30, 2003**

(30) **Foreign Application Priority Data**

Feb. 7, 2003 (JP) 2003-002899

(51) **LOC (7) Cl.** **15-06**

(52) **U.S. Cl.** **D15/78**

(58) **Field of Search** D15/66, 69-78;
112/80.7, 241, 225, 302, 242, 321.12, 321.31,
80.4, 80.56, 80.52, 152, 235, 175.07

(56) **References Cited**

U.S. PATENT DOCUMENTS

D284,578 S * 7/1986 Yoneda D15/72
D284,670 S * 7/1986 Yoneda D15/69

D358,597 S * 5/1995 Tseng D15/69
D382,281 S * 8/1997 Takada et al. D15/69
5,682,830 A * 11/1997 Katou et al. 112/225
6,325,006 B1 * 12/2001 Park 112/80.7
D474,785 S * 5/2003 Carter et al. D15/66

* cited by examiner

Primary Examiner—Mitchell Siegel

(74) *Attorney, Agent, or Firm*—Oliff & Berridge, PLC

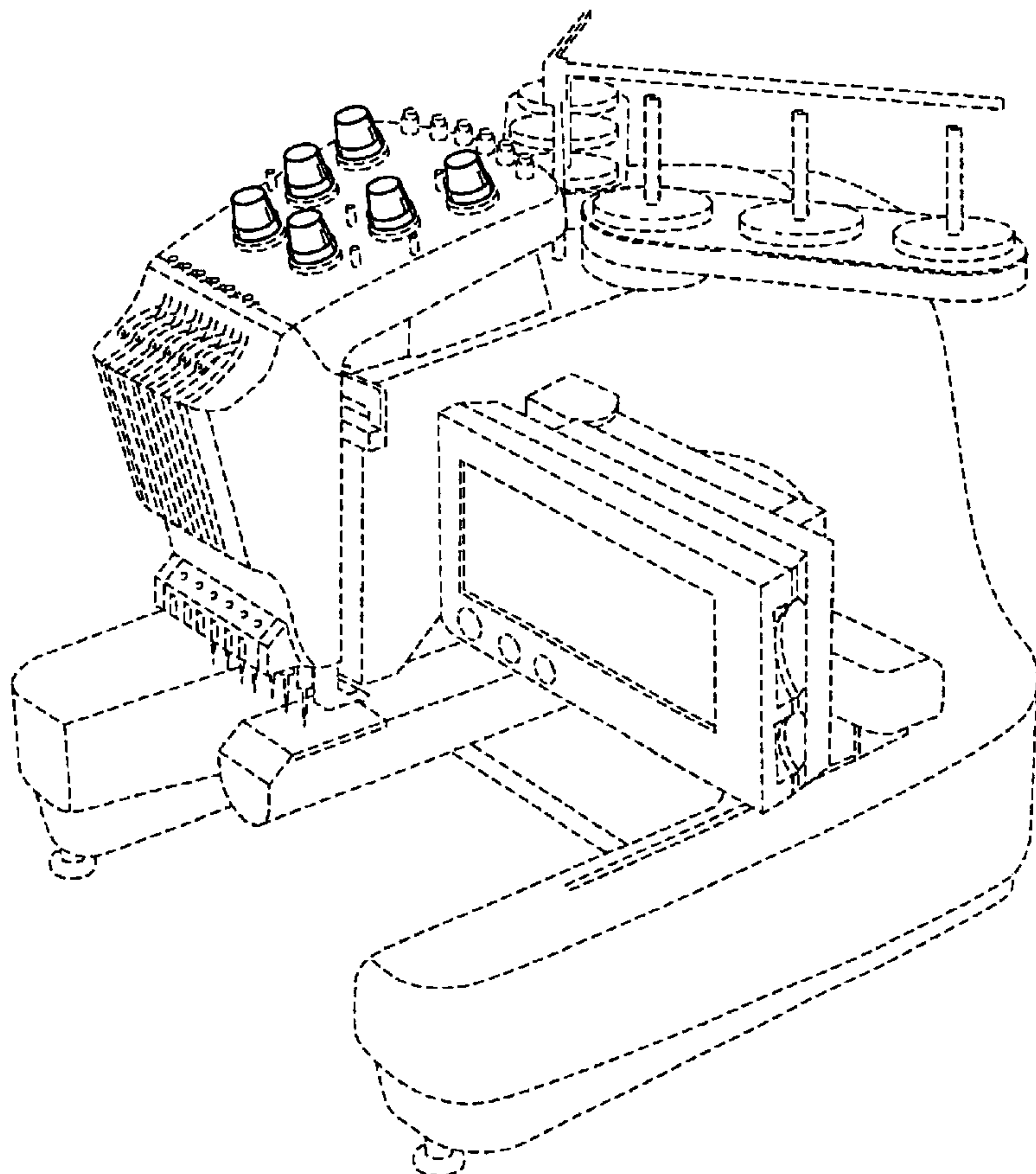
(57) **CLAIM**

The ornamental design for embroidery machine, as shown and described.

DESCRIPTION

FIG. 1 is a front view of an embroidery machine;
FIG. 2 is a top view thereof;
FIG. 3 is a right-side view thereof;
FIG. 4 is a left-side view thereof;
FIG. 5 is a rear view thereof; and,
FIG. 6 is a perspective view thereof.
The bottom view contains no ornamentality and is omitted.
The broken lines are for illustrative purposes only and form no part of the claimed design.

1 Claim, 5 Drawing Sheets



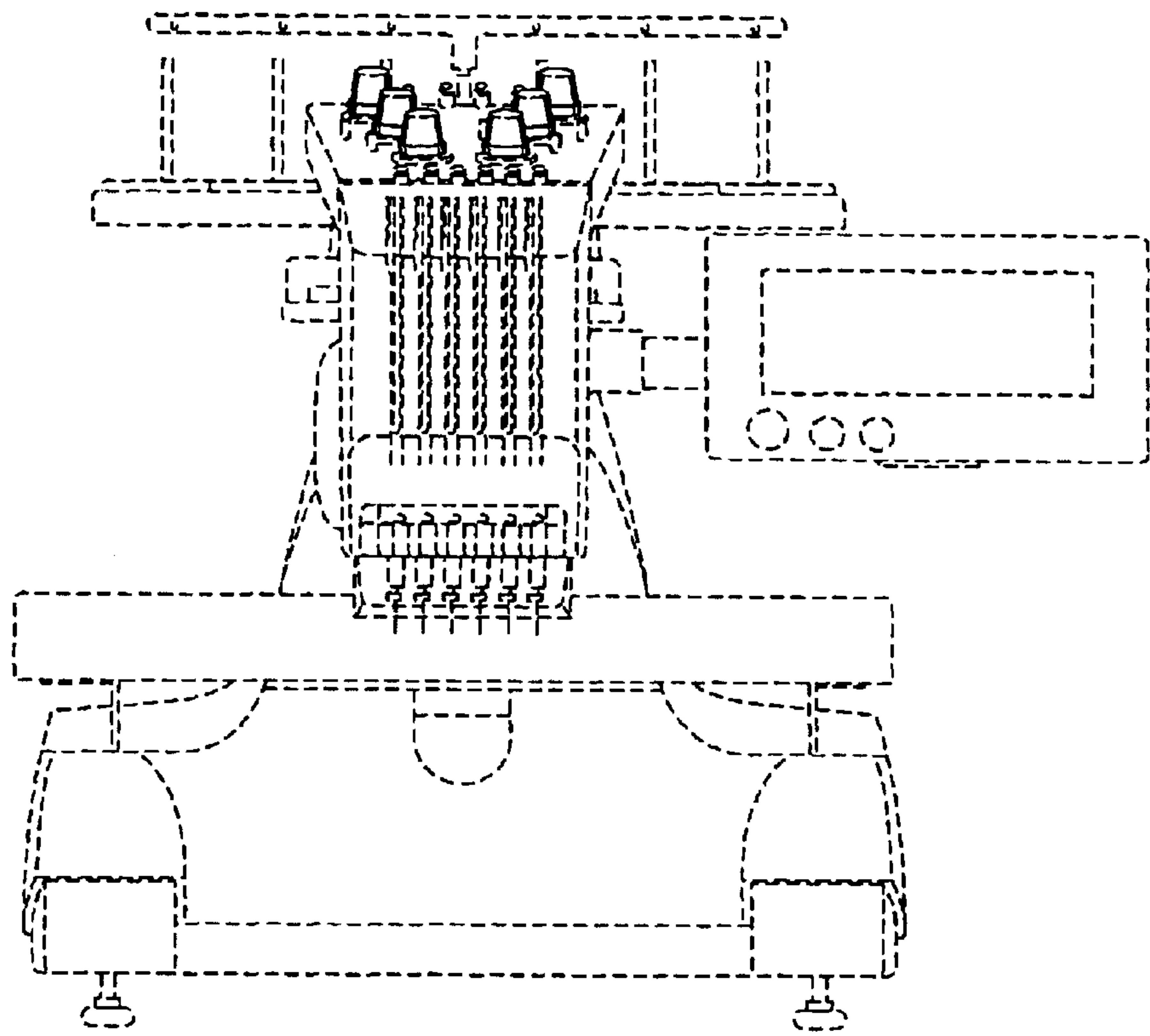


Fig. 1

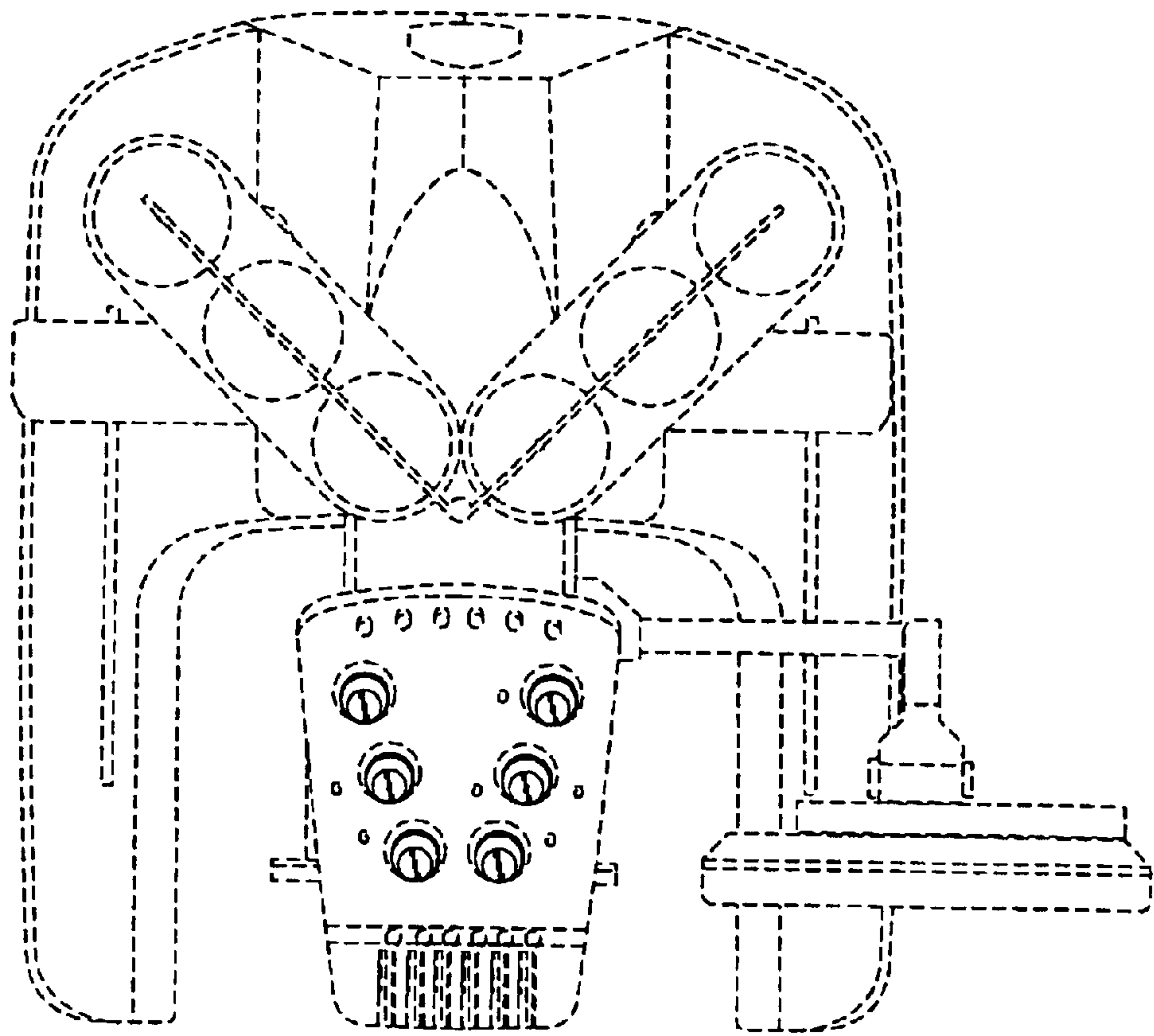


Fig. 2

Fig. 3

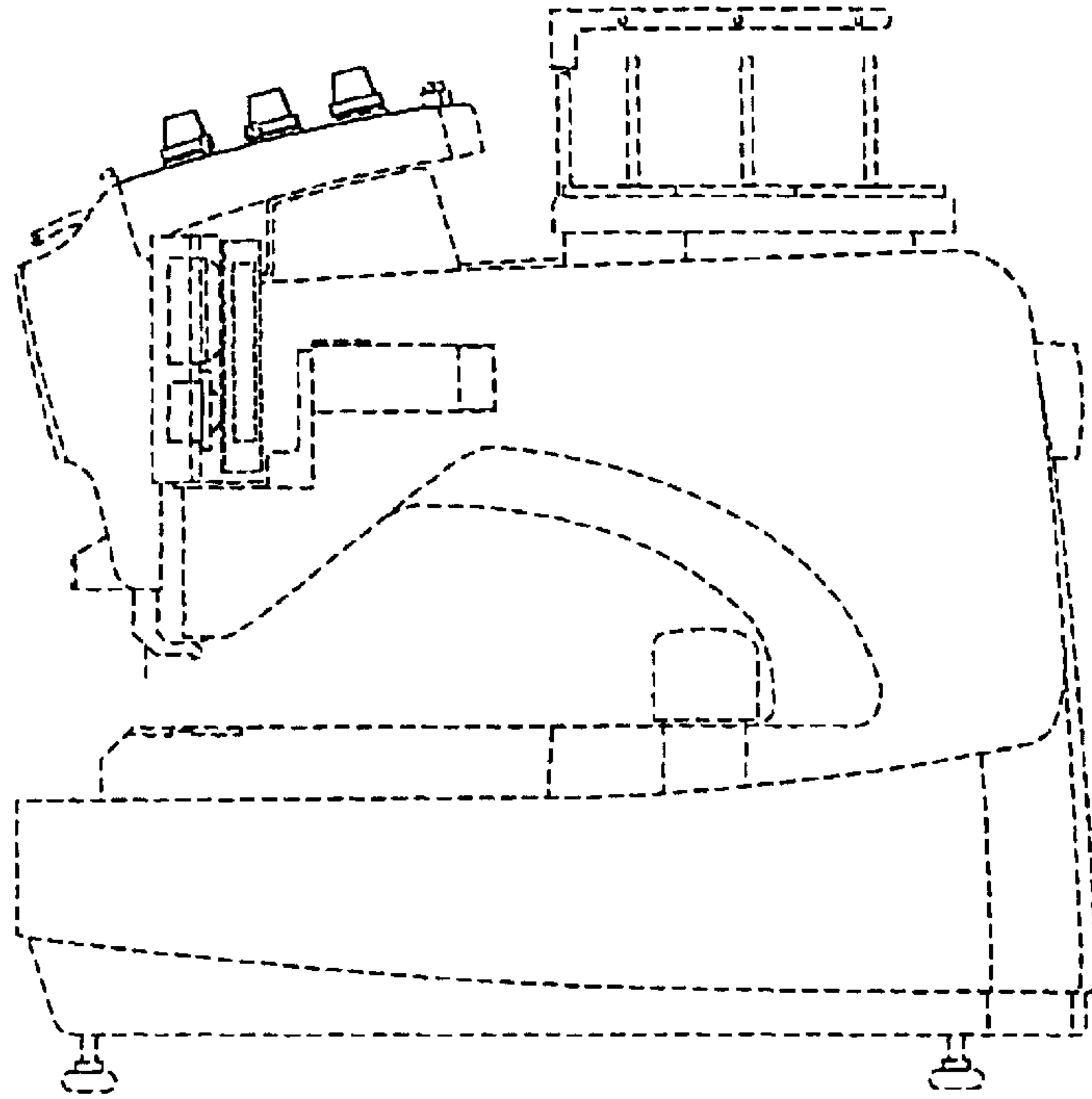
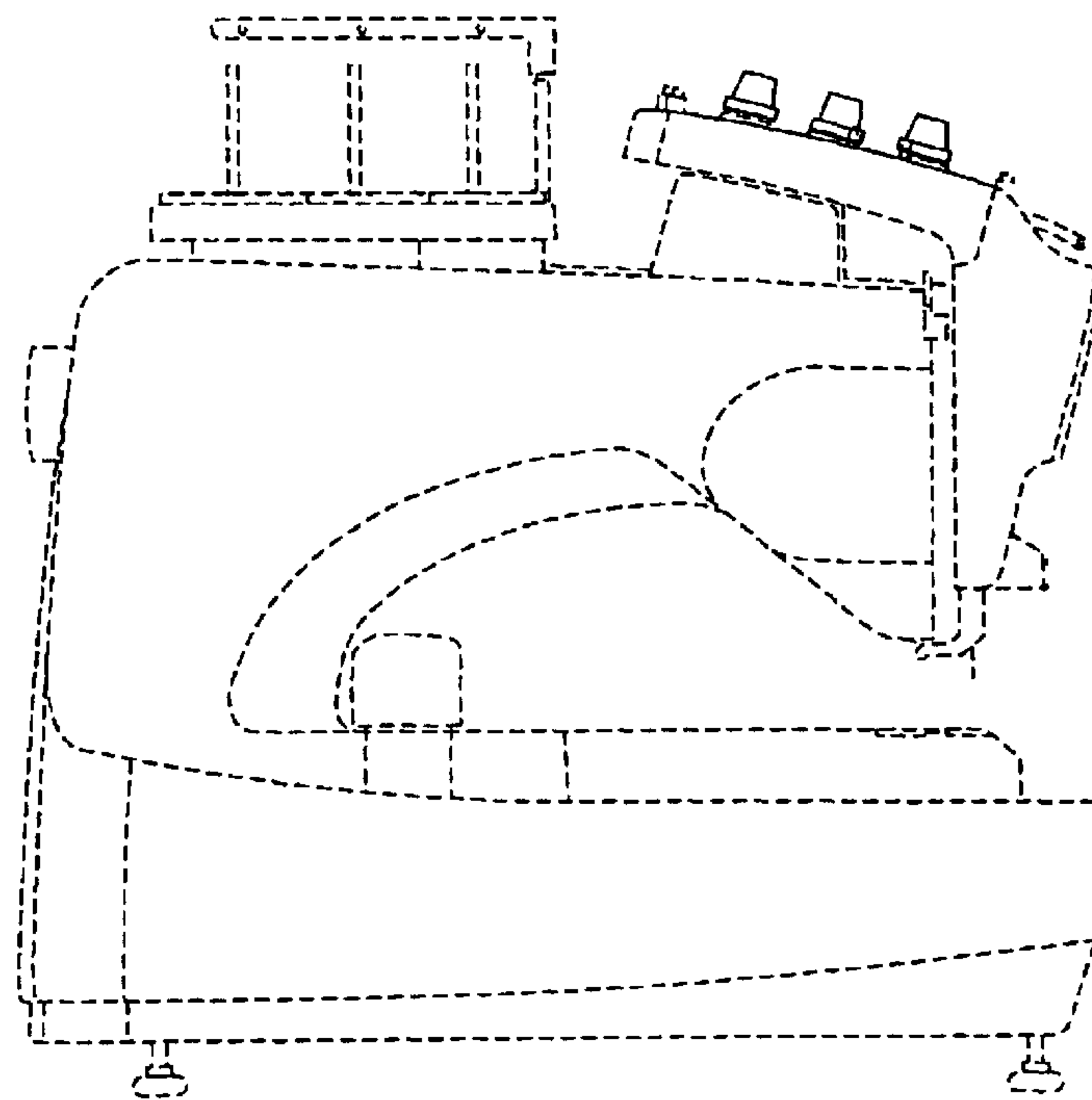


Fig. 4



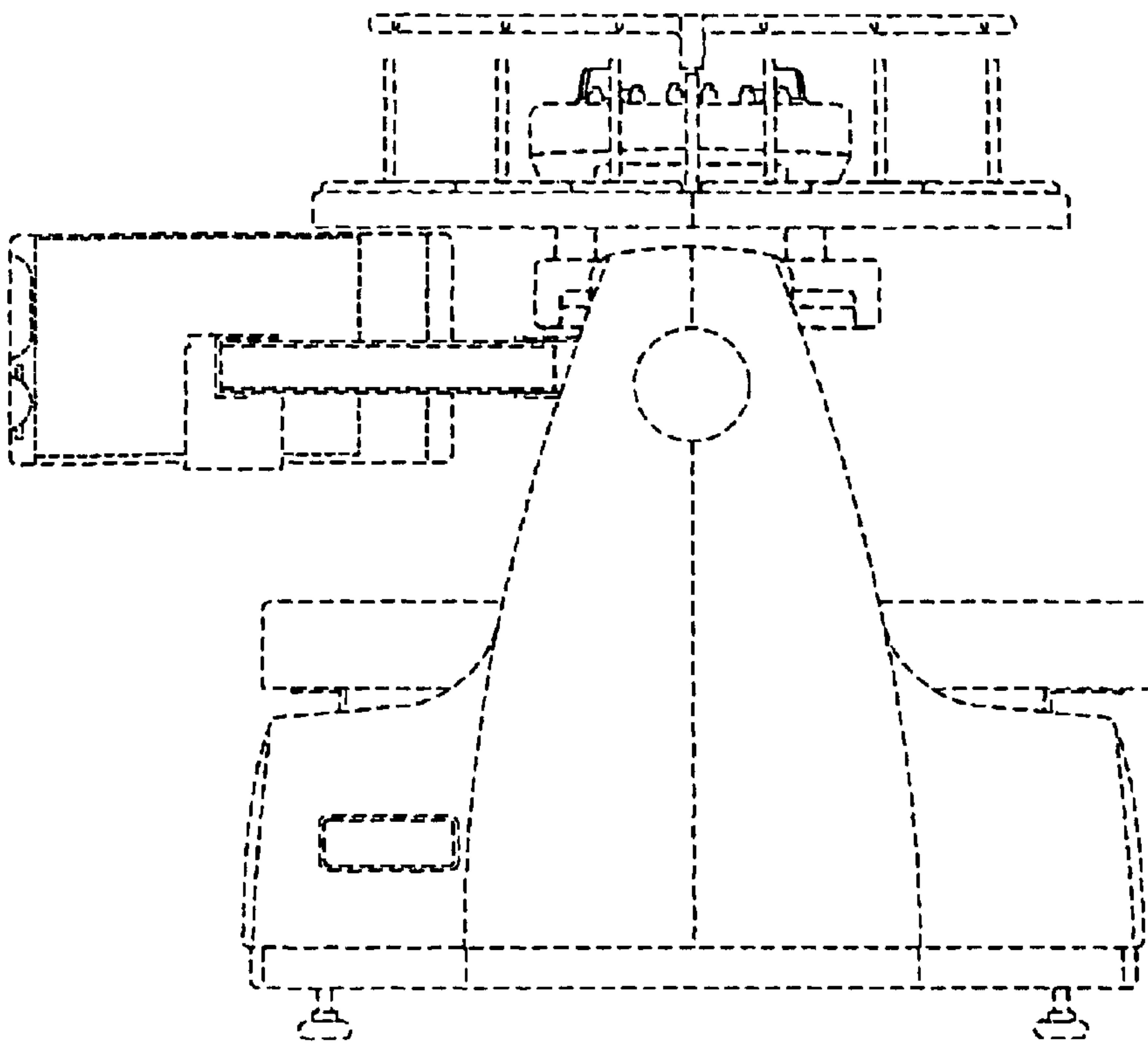


Fig. 5

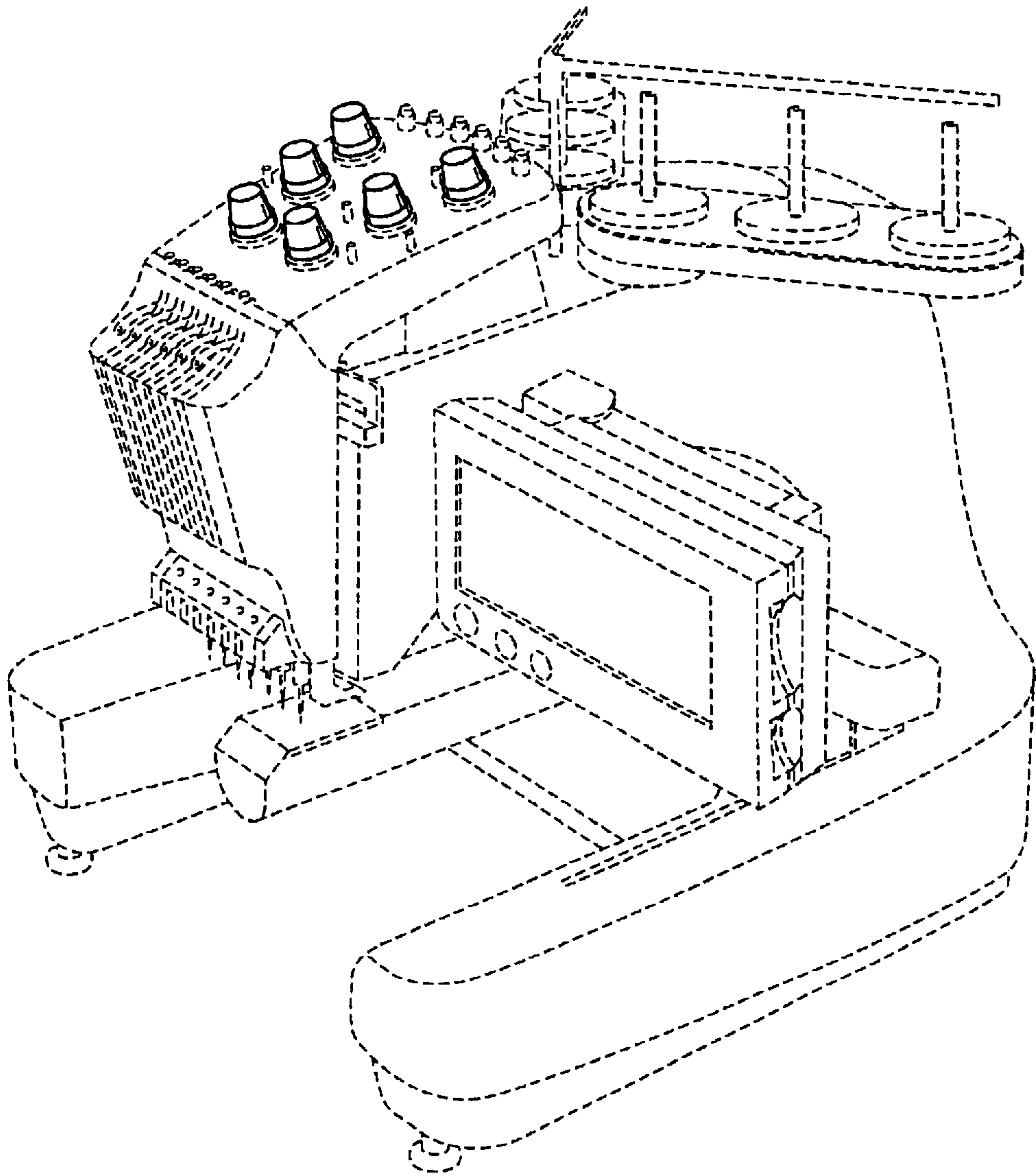


Fig. 6