



US00D491199S

(12) **United States Design Patent**  
**Greene**

(10) **Patent No.:** **US D491,199 S**

(45) **Date of Patent:** **\*\* Jun. 8, 2004**

(54) **TRACTOR TOOL BOX**

(75) Inventor: **Michael Greene**, Reno, NV (US)

(73) Assignee: **Thinking Outside, L.L.C.**, Detroit, MI (US)

(\*\*) Term: **14 Years**

(21) Appl. No.: **29/189,952**

(22) Filed: **Sep. 11, 2003**

(51) **LOC (7) Cl.** ..... **15-03**

(52) **U.S. Cl.** ..... **D15/28; D12/423**

(58) **Field of Search** ..... D12/407-414.1,  
D12/423; D3/905, 273; D15/28, 10, 14-17;  
414/549-551, 487, 695; 56/13.7, 14.9, 6,  
295; 296/37.1-37.7, 106, 99.1; 224/309-314,  
320-323, 400-404, 539-541, 412-413;  
280/901

(56) **References Cited**

**U.S. PATENT DOCUMENTS**

- D237,167 S \* 10/1975 Hanes, Jr. .... D12/410
- D238,266 S \* 12/1975 Dalton ..... D12/410
- D305,315 S \* 1/1990 Fletcher ..... D12/414.1
- D320,372 S \* 10/1991 Alberts ..... D12/414.1
- D374,654 S \* 10/1996 Steketee ..... D12/414.1

- D411,164 S \* 6/1999 Harris ..... D12/414.1
- D421,737 S \* 3/2000 Kosuge et al. .... D12/407
- D426,511 S \* 6/2000 Mehuron ..... D12/414.1
- D462,646 S \* 9/2002 McCoy et al. .... D12/413
- D463,456 S \* 9/2002 Witte et al. .... D15/28
- D476,341 S \* 6/2003 Booten et al. .... D15/17
- D480,680 S \* 10/2003 Yonai et al. .... D12/410
- D481,351 S \* 10/2003 Brooks ..... D12/409

\* cited by examiner

*Primary Examiner*—Stacia Cadmus

(74) *Attorney, Agent, or Firm*—Townsend and Townsend and Crew LLP

(57) **CLAIM**

The ornamental design for tractor tool box, as shown and described.

**DESCRIPTION**

FIG. 1 is a perspective view of a tractor tool box showing my new design;

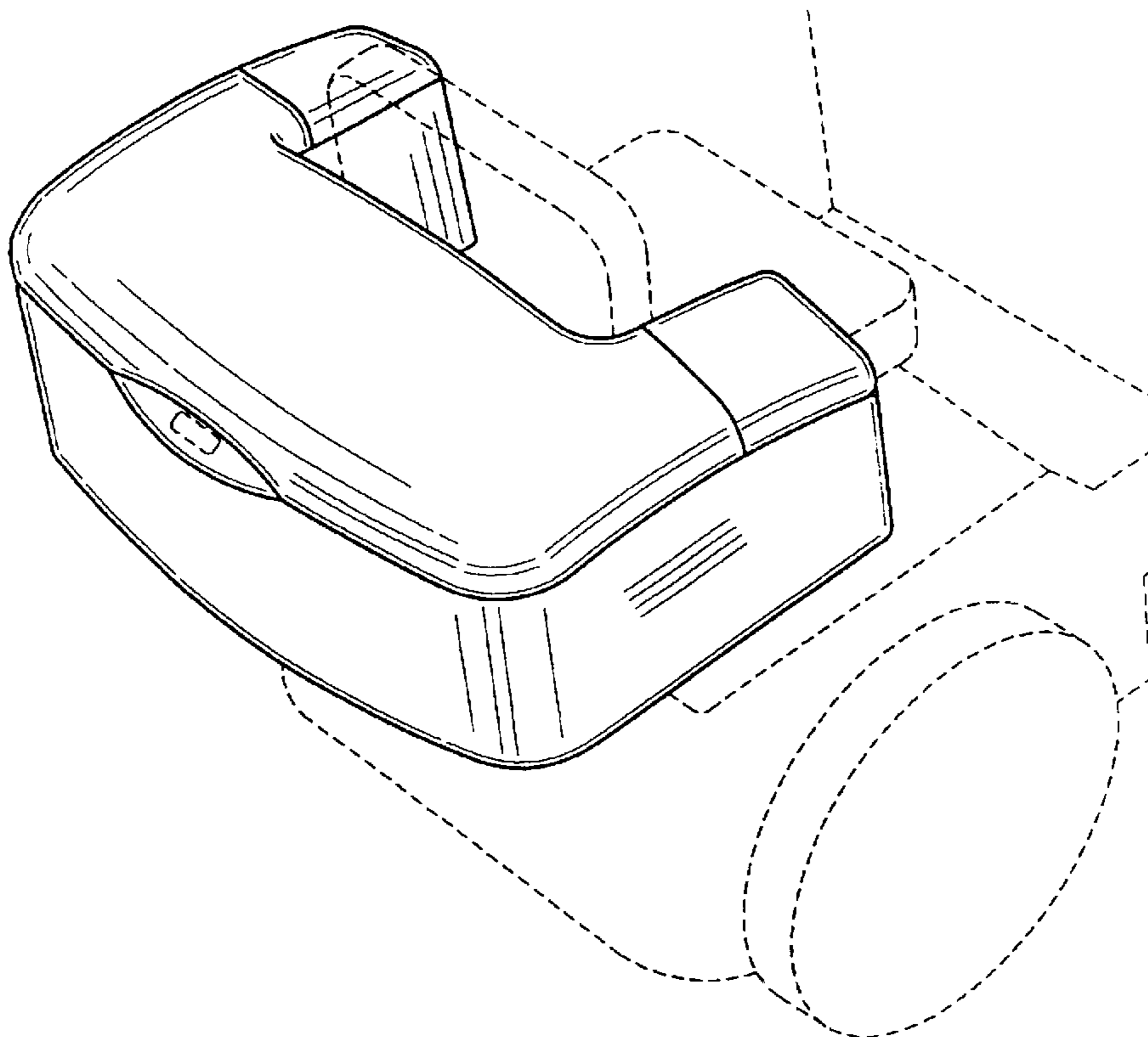
FIG. 2 is a top plan view thereof;

FIG. 3 is a rear elevational view thereof; and,

FIG. 4 is a right side elevational view, the left side elevational view being a mirror image thereof.

The broken line showing of environment is for illustrative purposes only and forms no part of the claimed design.

**1 Claim, 3 Drawing Sheets**



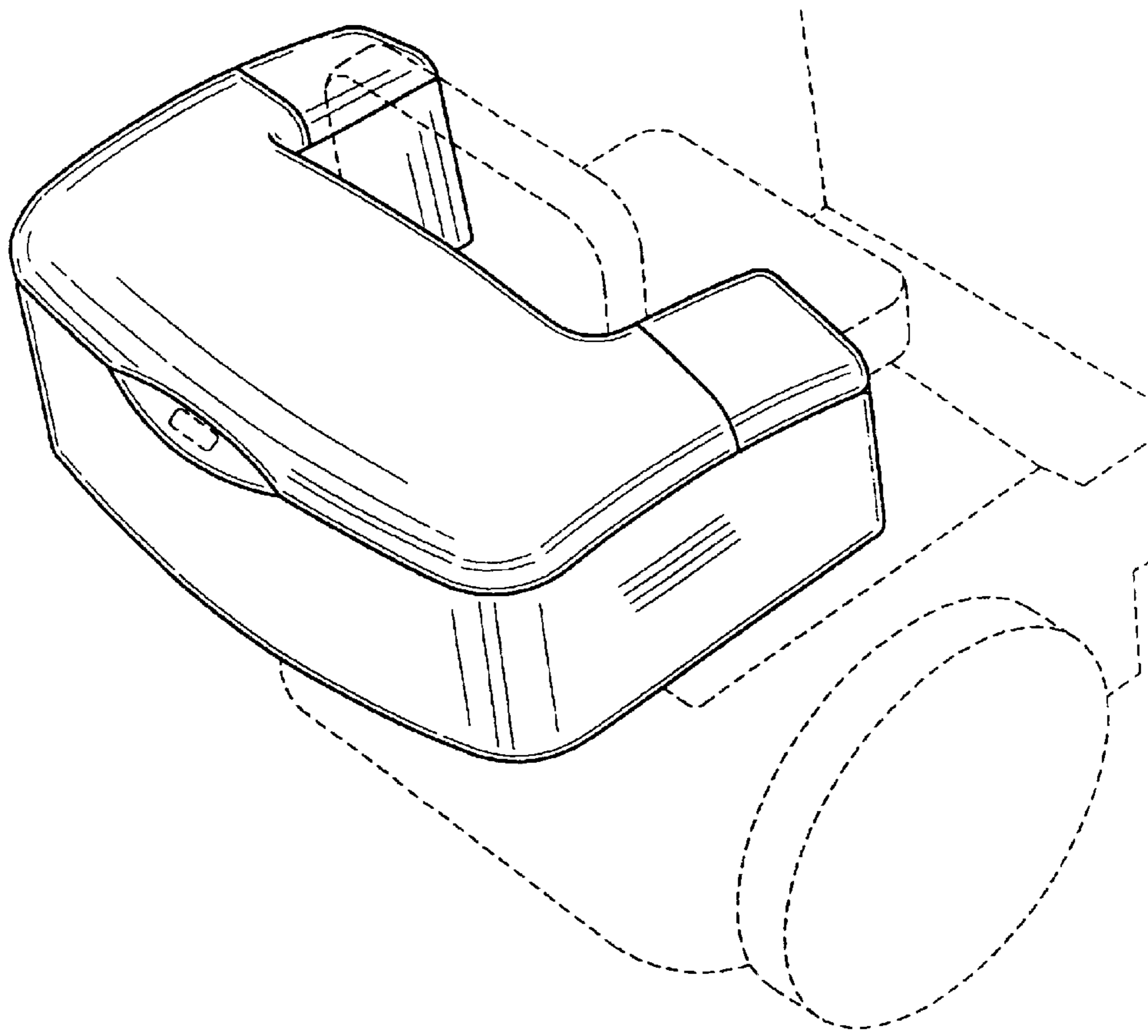


FIG. 1

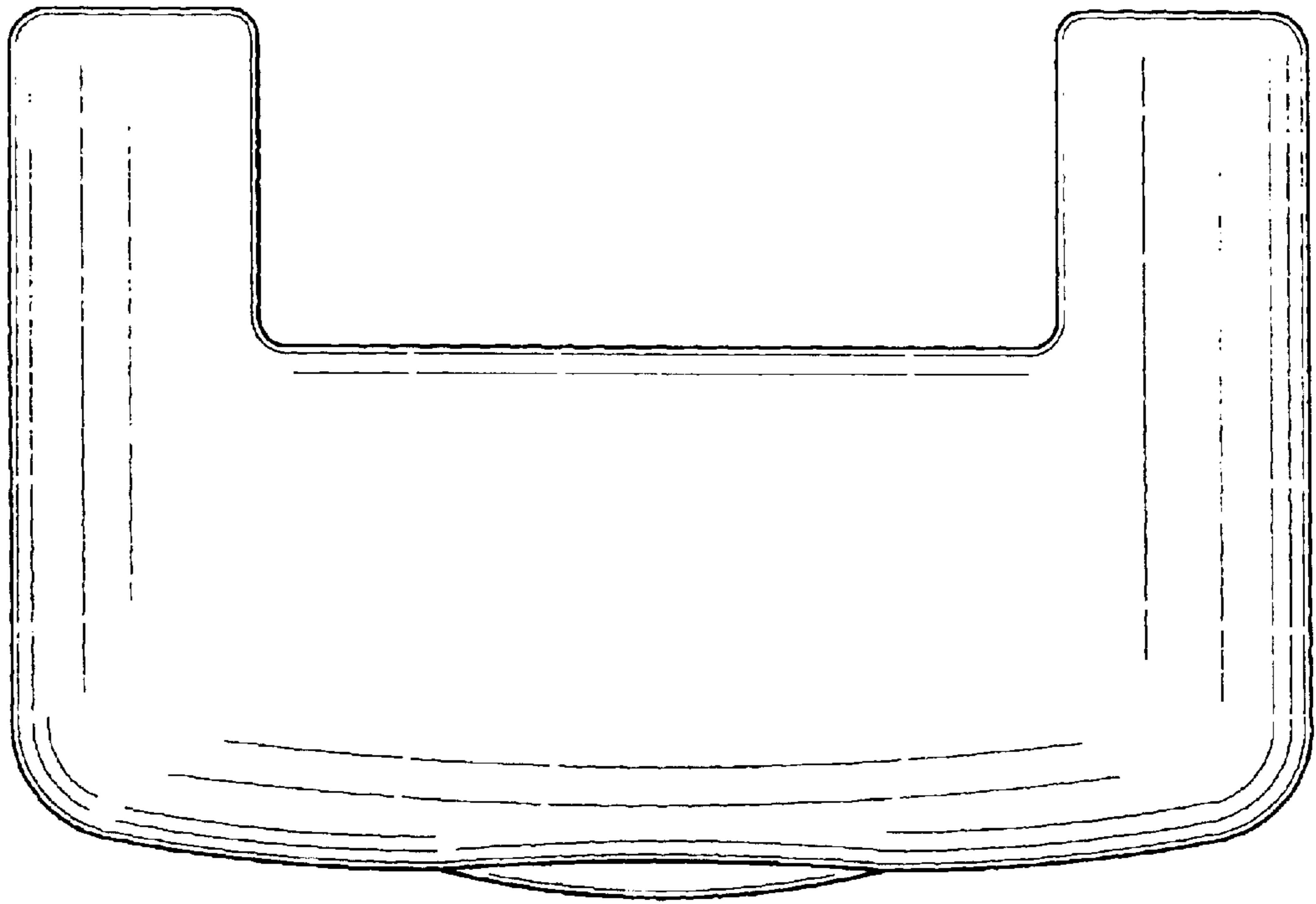


FIG. 2

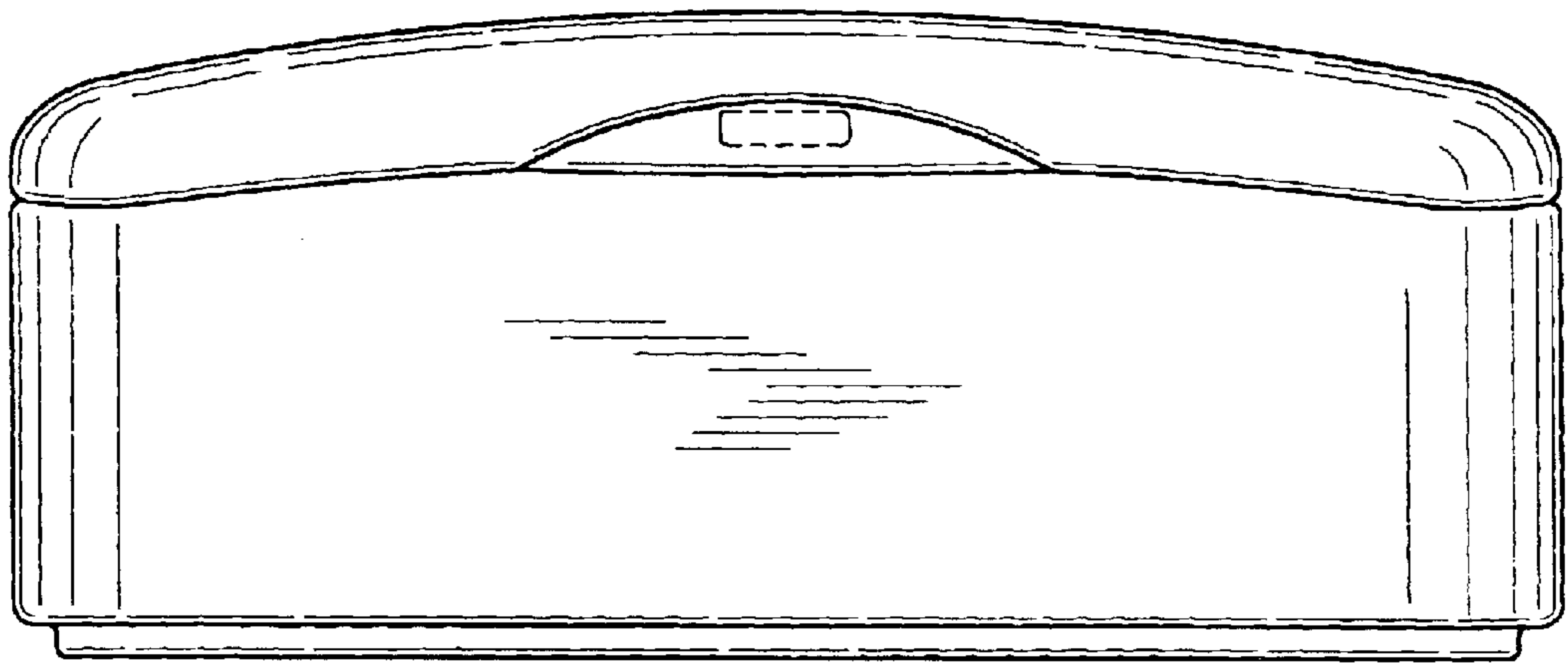
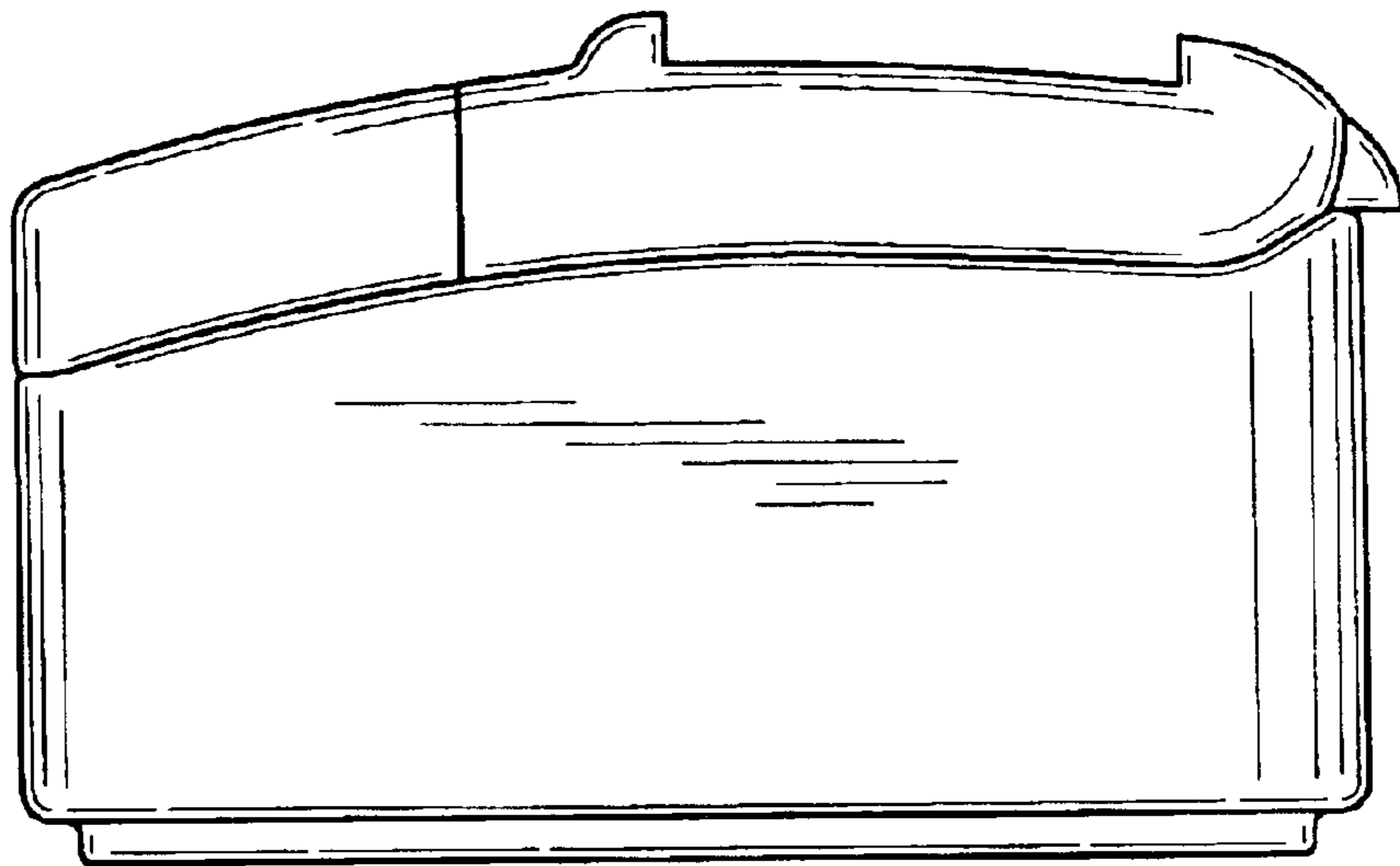


FIG. 3



*FIG. 4*