



US00D491197S

(12) **United States Design Patent**
Stilwell et al.

(10) **Patent No.:** **US D491,197 S**

(45) **Date of Patent:** **** Jun. 8, 2004**

(54) **AIR COMPRESSOR**

(75) **Inventors:** **J. Cody Stilwell**, Jackson, TN (US);
Gary White, Medina, TN (US);
Stephen Vos, Jackson, TN (US)

(73) **Assignee:** **DeVilbiss Air Power Company**,
Jackson, TN (US)

(**) **Term:** **14 Years**

(21) **Appl. No.:** **29/179,391**

(22) **Filed:** **Apr. 9, 2003**

(51) **LOC (7) Cl.** **15-02**

(52) **U.S. Cl.** **D15/9**

(58) **Field of Search** D15/7-9; D23/231,
D23/232; 417/410.4, 359, 415, 410.3, 234,
229, 321, 265, 405, 62; 223/3

(56) **References Cited**

U.S. PATENT DOCUMENTS

2,384,174	A	*	9/1945	Jones	222/3
D185,000	S	*	4/1959	Hoover	D15/9
D223,039	S	*	2/1972	Widmor	D15/7
D243,282	S	*	2/1977	Burenga	D15/9
D273,011	S	*	3/1984	Dudley	D15/9
4,854,822	A	*	8/1989	Darroch	417/62
D444,796	S	*	7/2001	Morgan	D15/9
D446,792	S	*	8/2001	Matthew et al.	D15/9
D449,311	S	*	10/2001	Graber et al.	D15/9

D450,061	S	*	11/2001	Graber et al.	D15/9
D460,763	S	*	7/2002	Buck	D15/9
D461,196	S	*	8/2002	Buck	D15/9
D482,371	S	*	11/2003	Buck	D15/9

* cited by examiner

Primary Examiner—Ralf Seifert

(74) *Attorney, Agent, or Firm*—Suiter West PC LLO

(57) **CLAIM**

We claim the ornamental design for an air compressor, as shown.

DESCRIPTION

FIG. 1 is an isometric view of the air compressor showing our new design;

FIG. 2 is a top plan view thereof;

FIG. 3 is a left side elevation view thereof;

FIG. 4 is a front elevation view thereof;

FIG. 5 is a right side elevation view thereof;

FIG. 6 is a rear elevation view thereof;

FIG. 7 is a bottom plan view thereof;

FIG. 8 is an isometric view thereof;

FIG. 9 is a top plan view thereof;

FIG. 10 is a left side elevation view thereof;

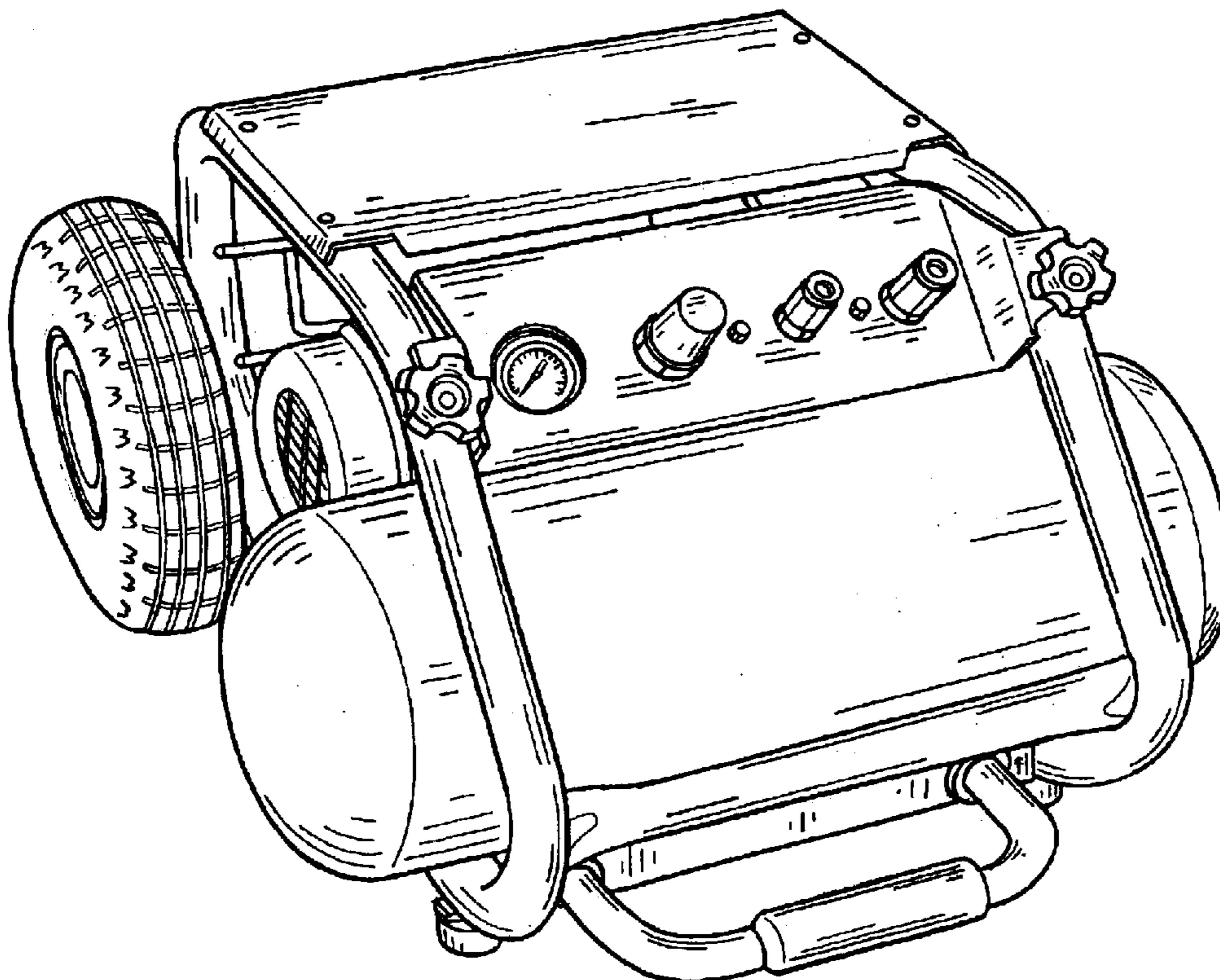
FIG. 11 is a front elevation view thereof;

FIG. 12 is a right side elevation view thereof;

FIG. 13 is a rear elevation view thereof; and,

FIG. 14 is a bottom plan view thereof.

1 Claim, 8 Drawing Sheets



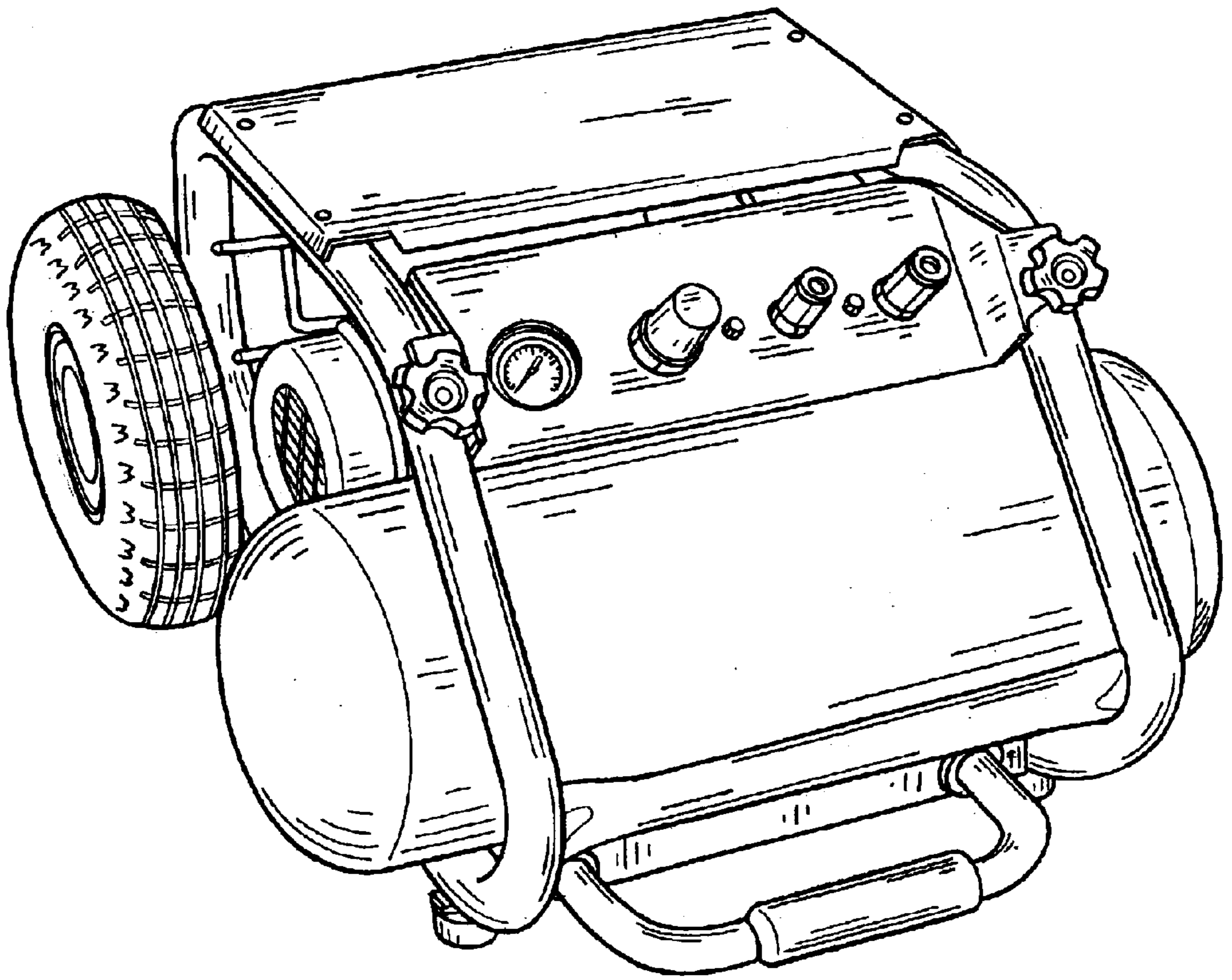


FIG. 1

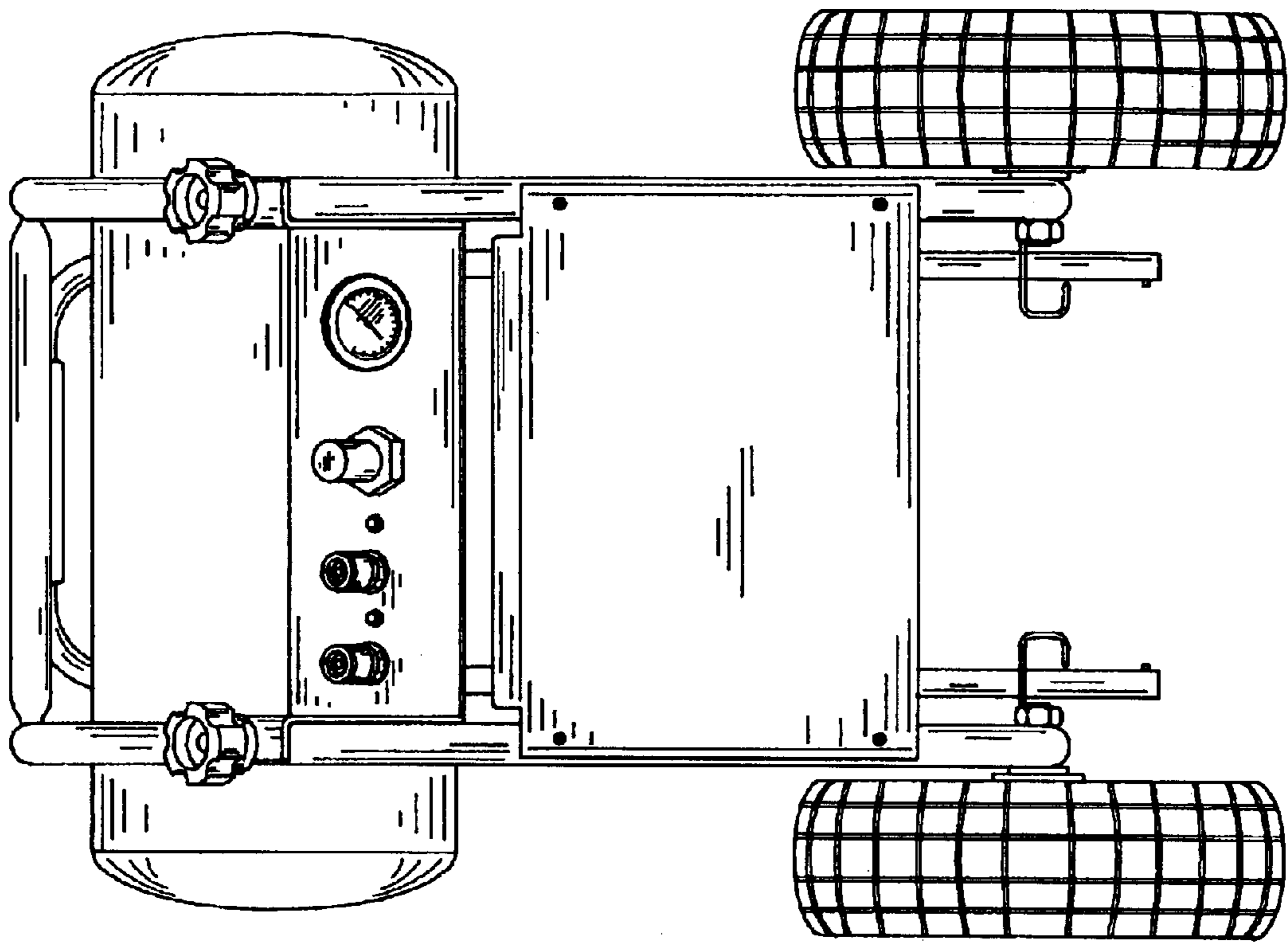


FIG. 2

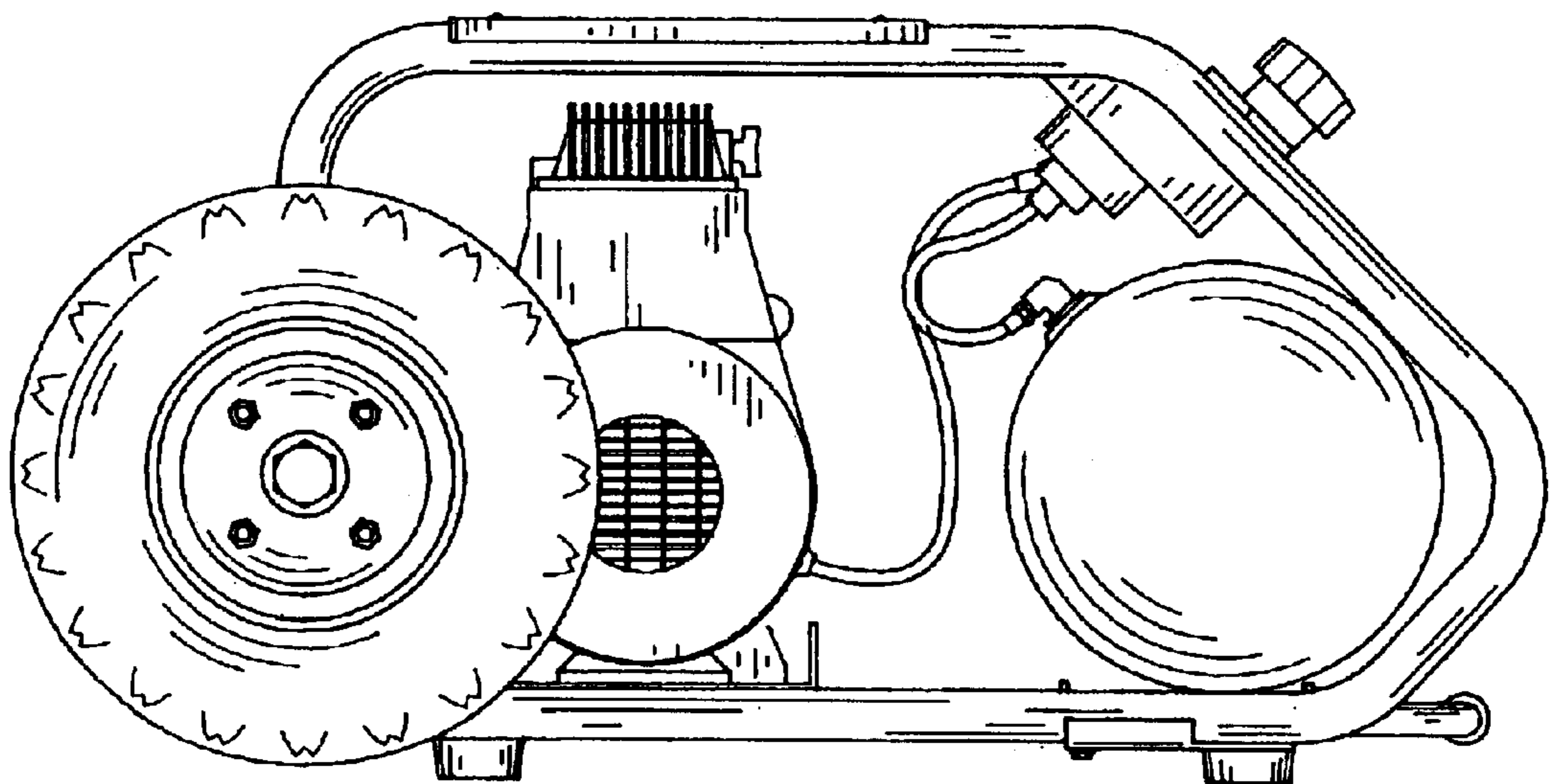


FIG. 3

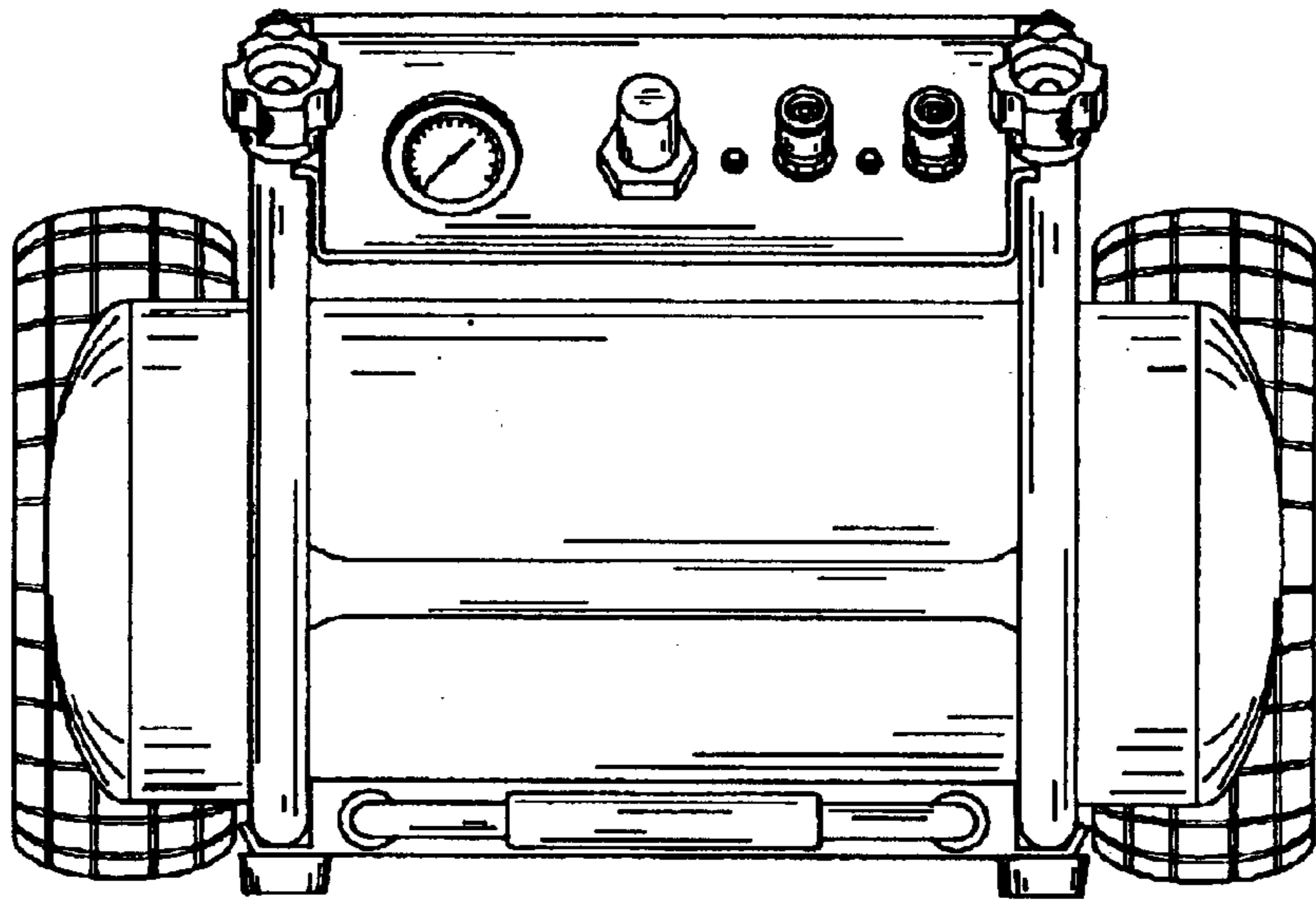


FIG. 4

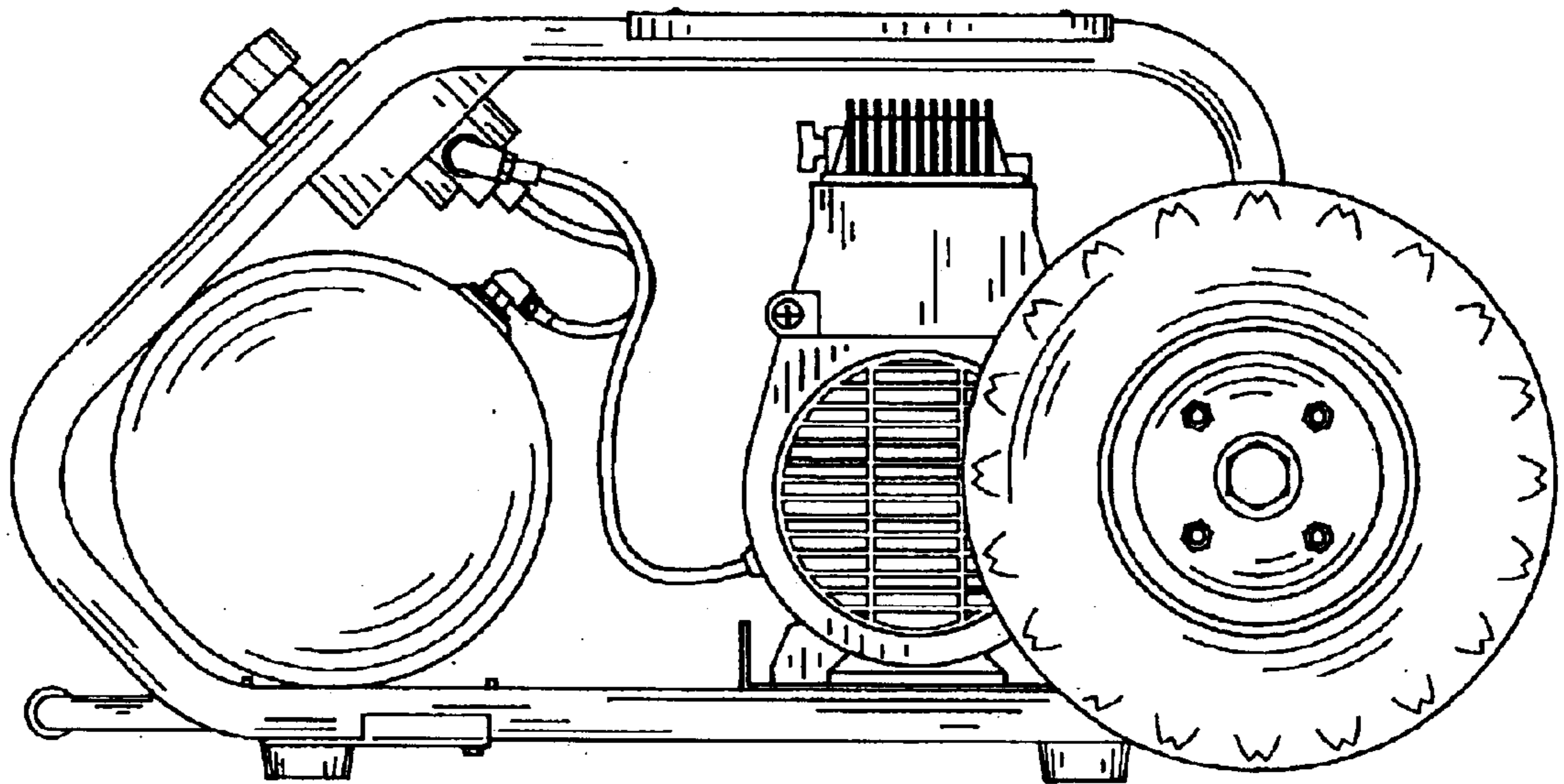


FIG. 5

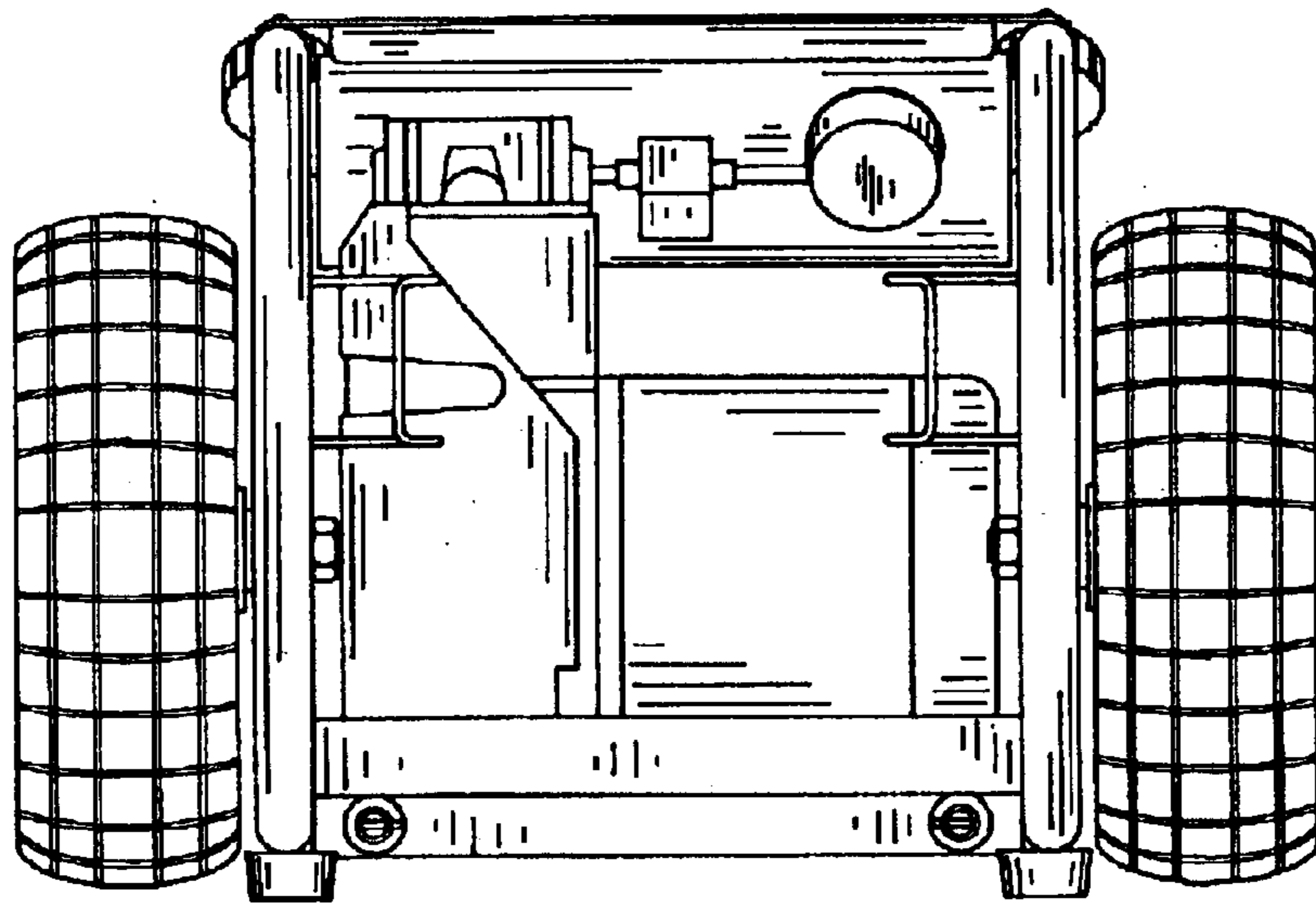


FIG. 6

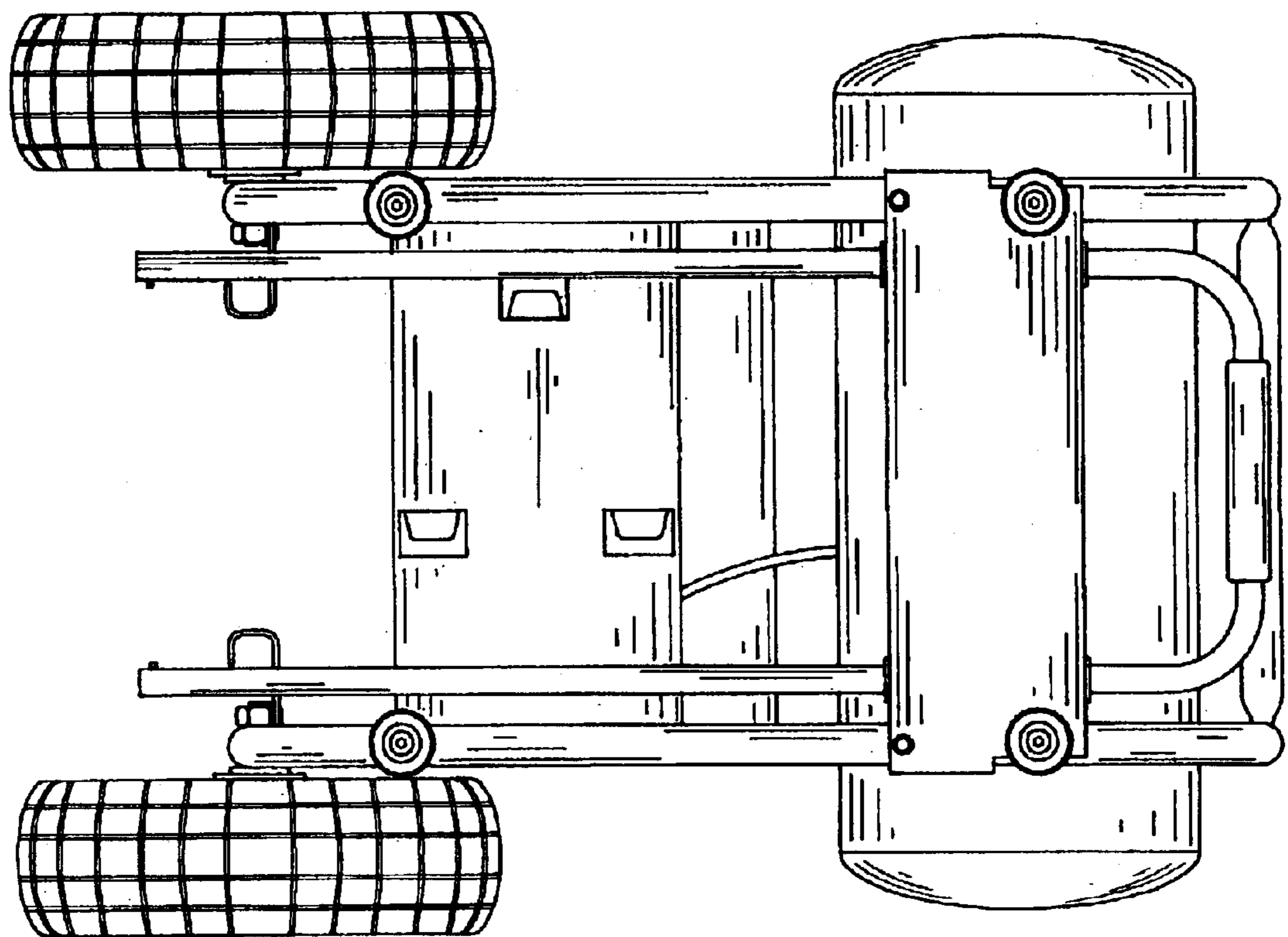


FIG. 7

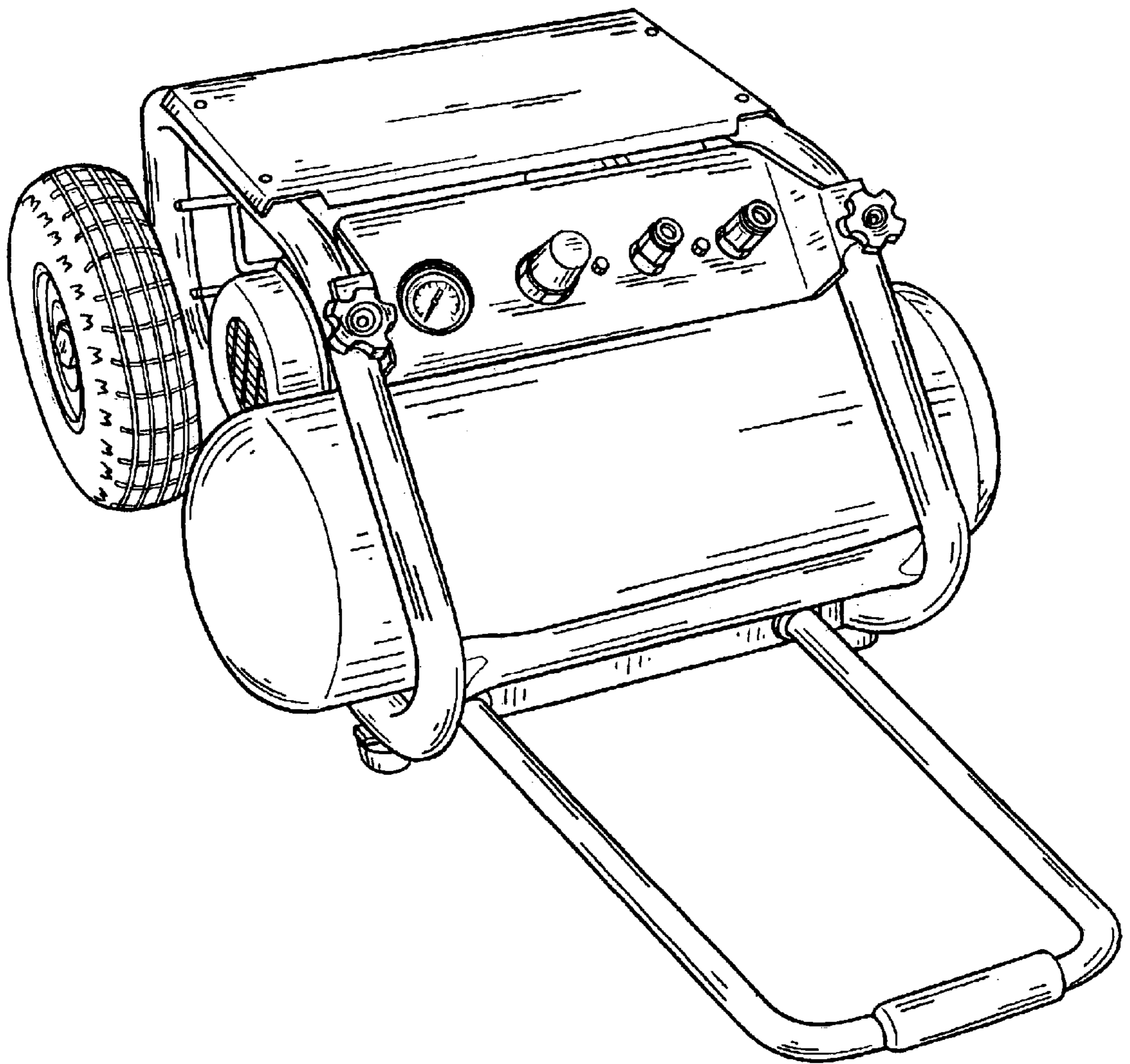


FIG. 8

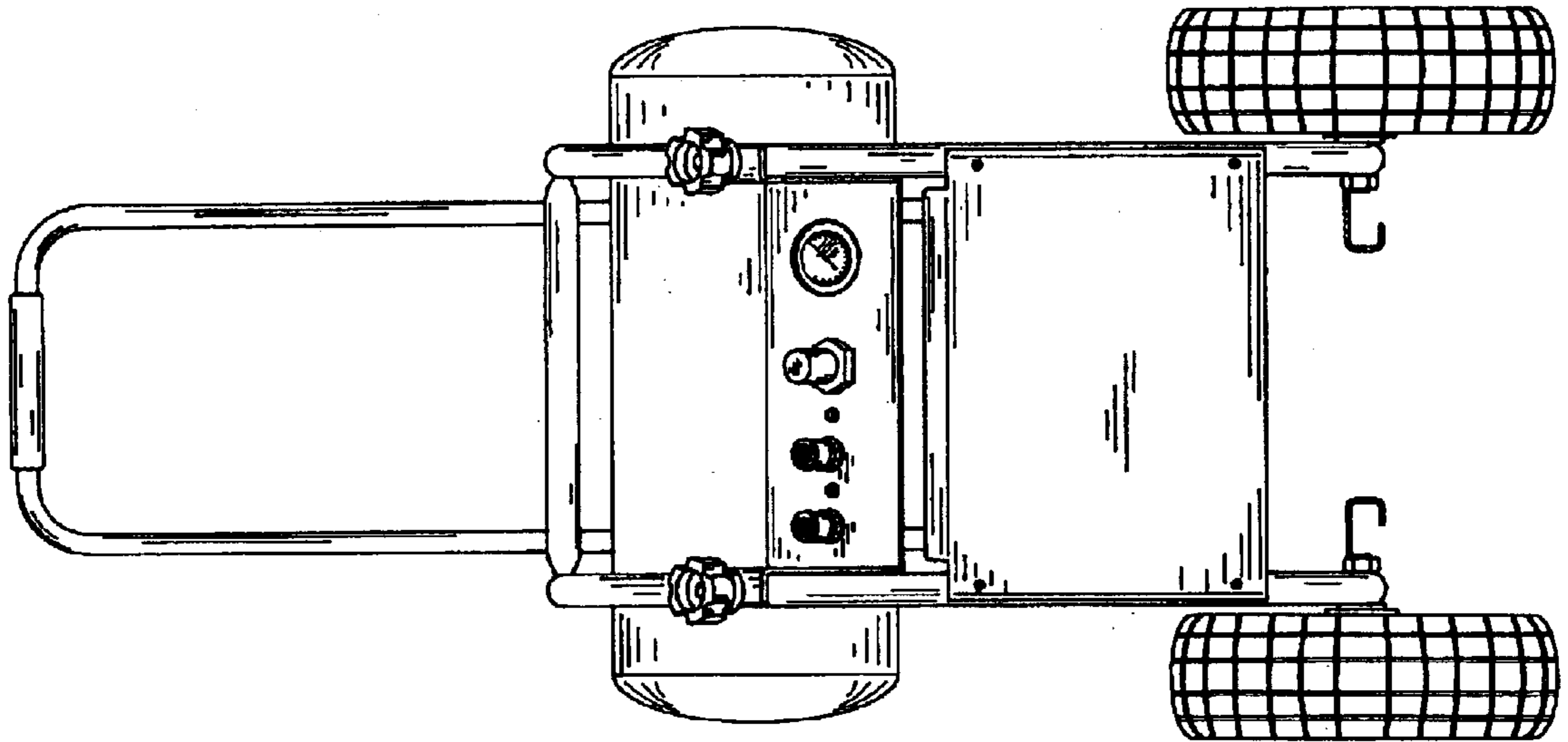


FIG. 9

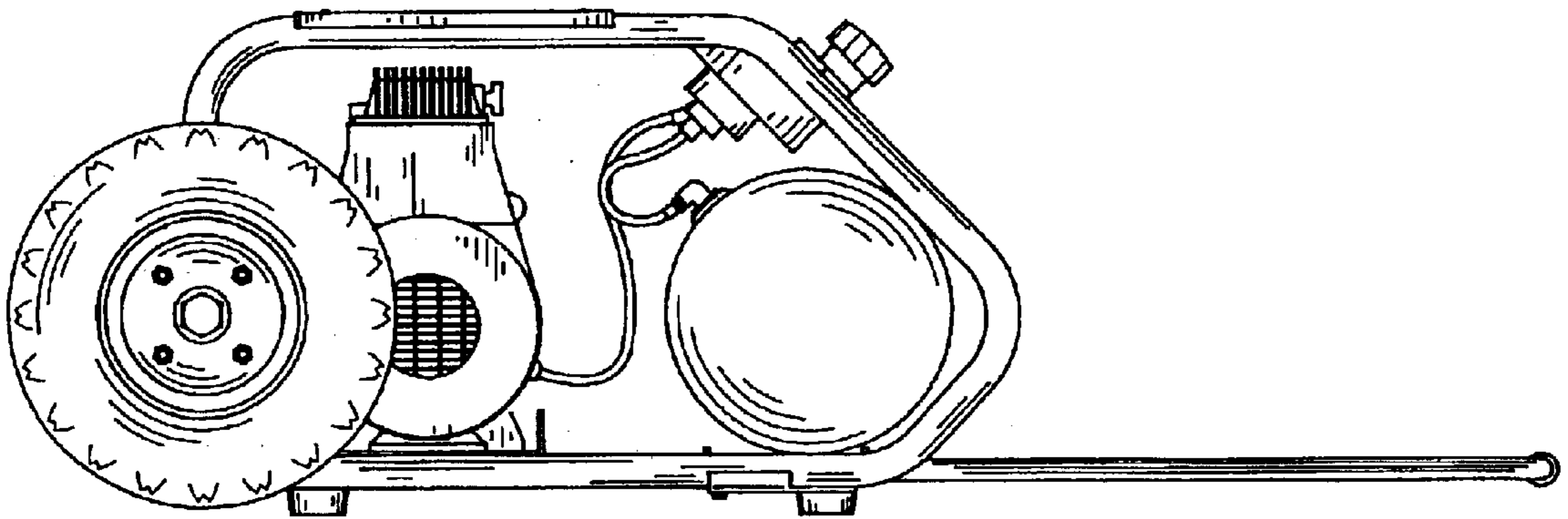


FIG. 10

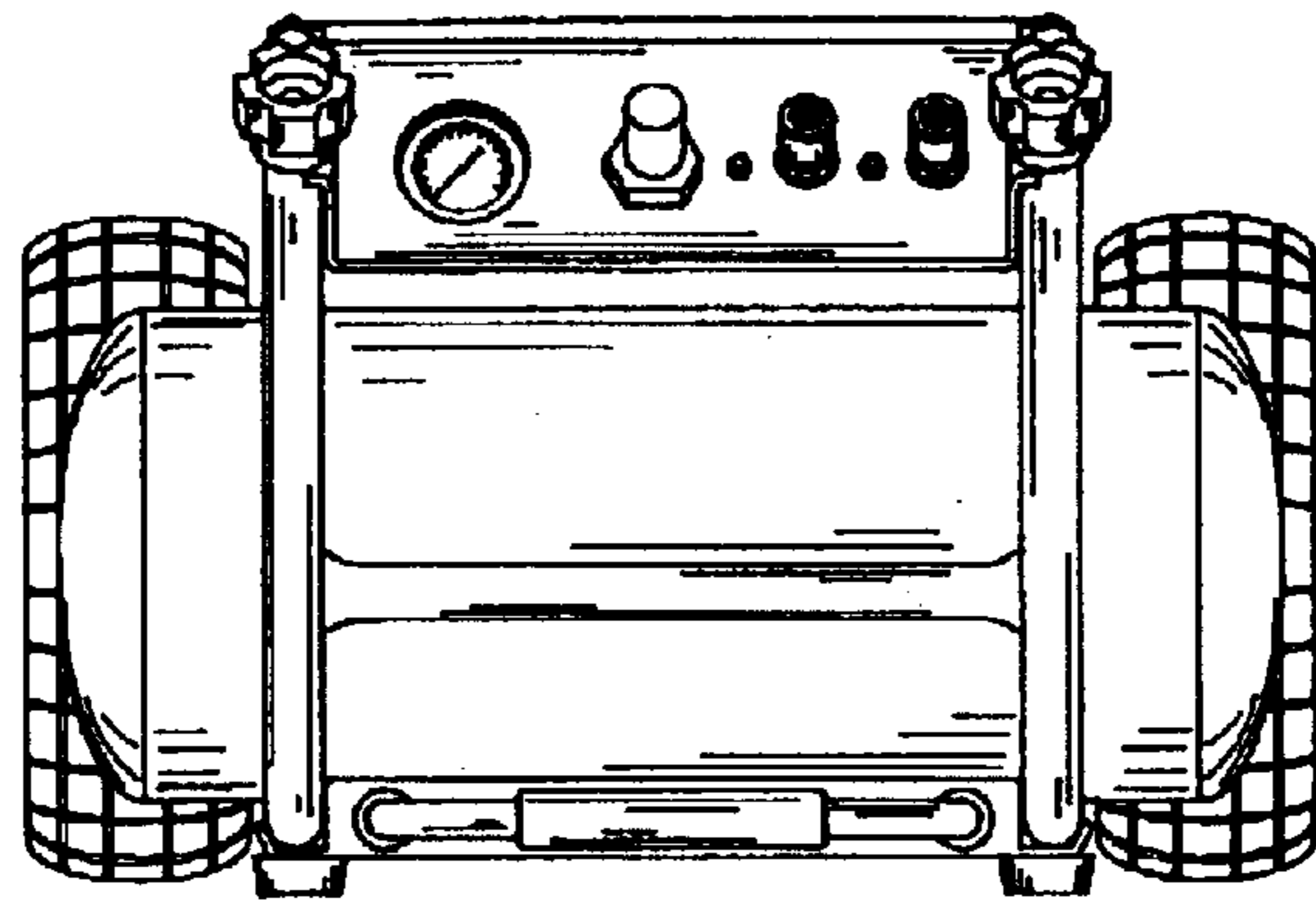


FIG. 11

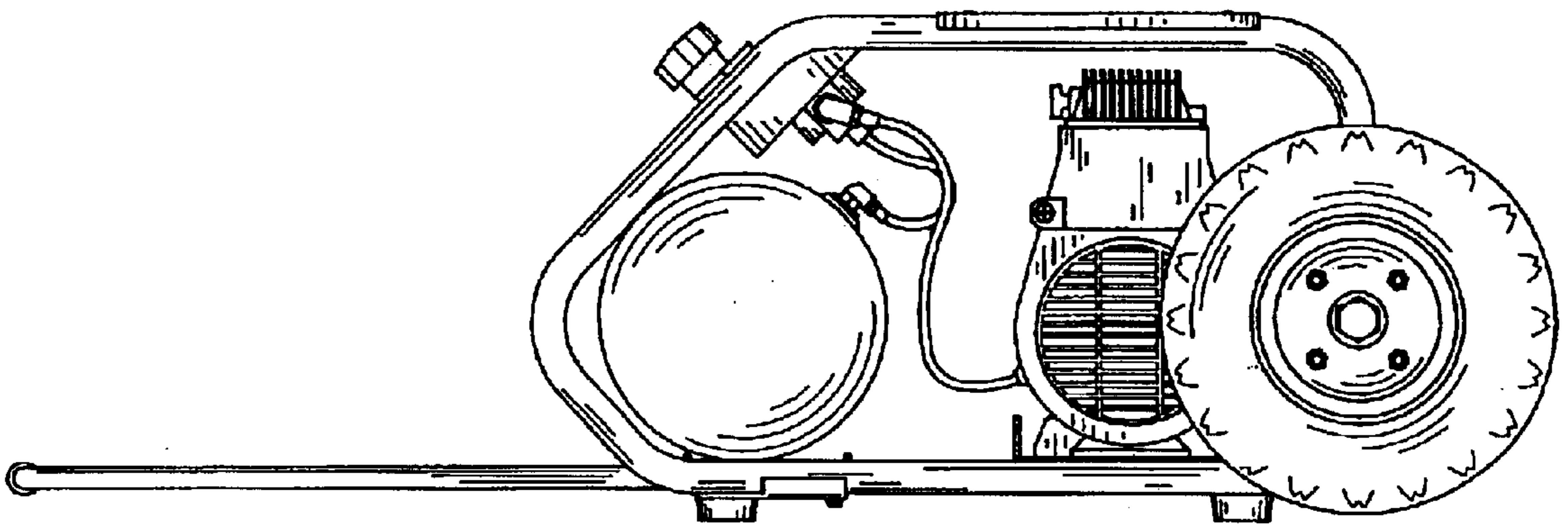


FIG. 12

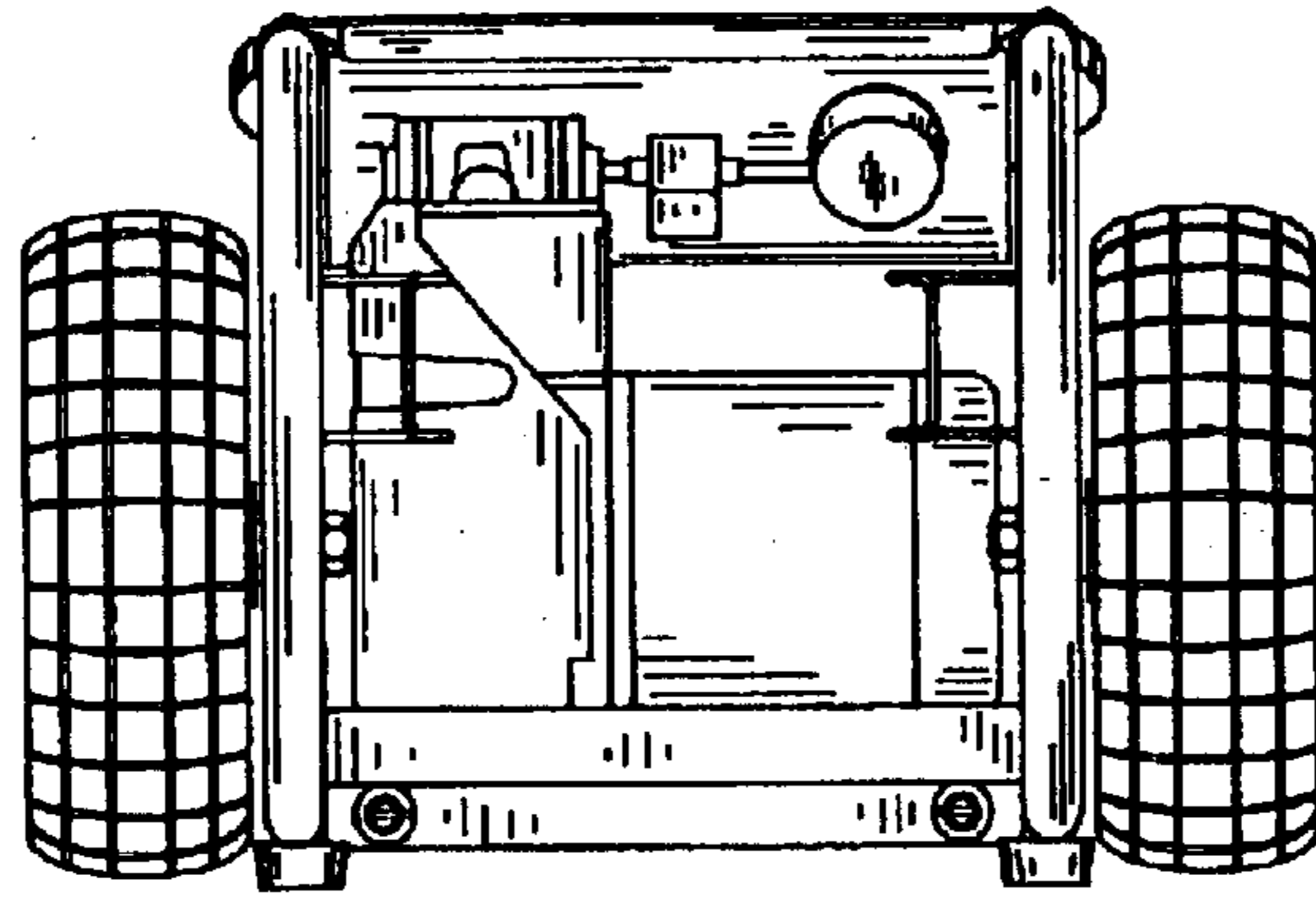


FIG. 13

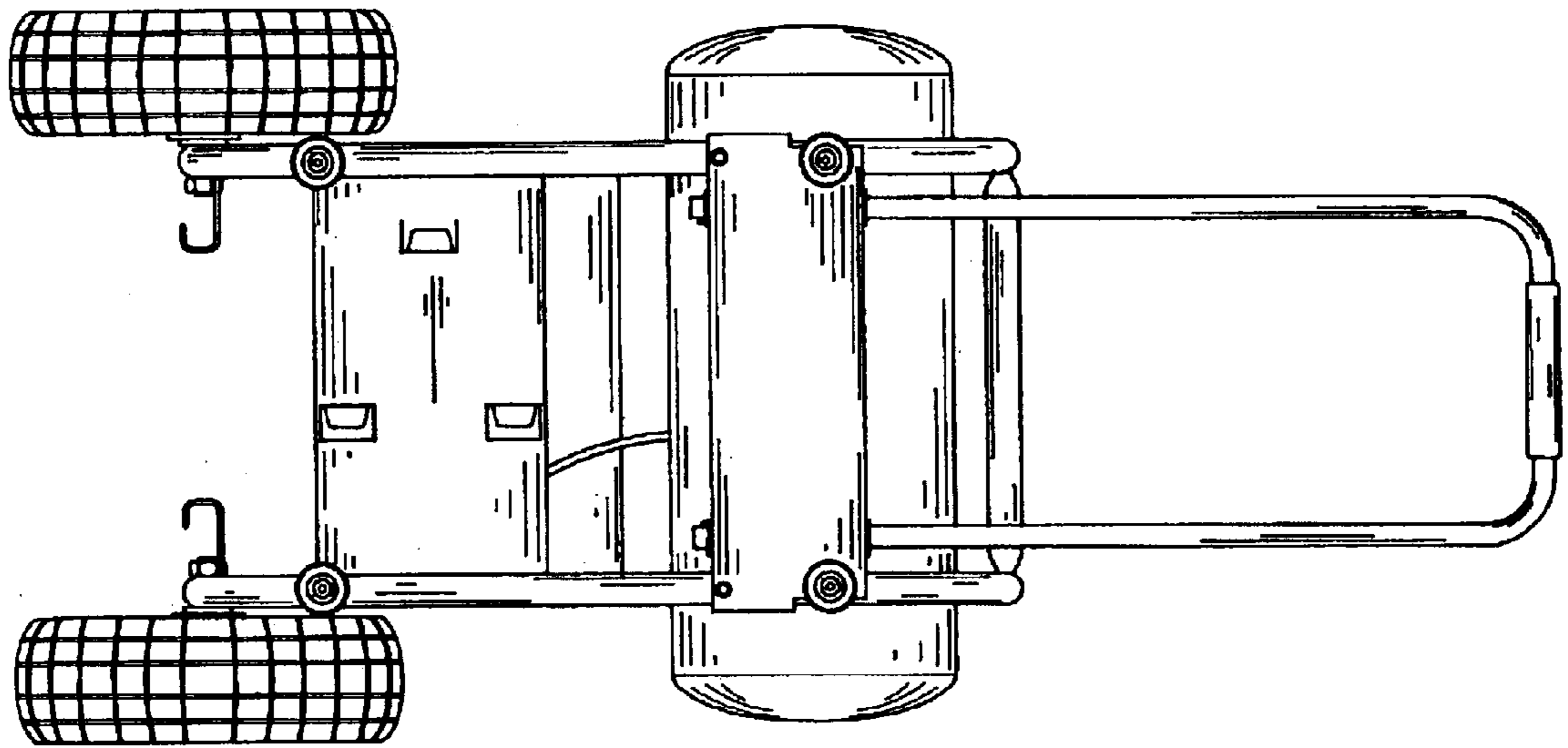


FIG. 14