



US00D491196S

(12) **United States Design Patent**
Poon

(10) **Patent No.:** **US D491,196 S**

(45) **Date of Patent:** **** Jun. 8, 2004**

(54) **AIR PUMP**

(75) **Inventor:** **Tit Wing Poon, Shatin (HK)**

(73) **Assignee:** **Flying Dragon Development Ltd.,
Shatin (HK)**

(**) **Term:** **14 Years**

(21) **Appl. No.:** **29/183,188**

(22) **Filed:** **Jun. 6, 2003**

(30) **Foreign Application Priority Data**

Dec. 9, 2002 (CN) 02 3 71639

(51) **LOC (7) Cl.** **15-02**

(52) **U.S. Cl.** **D15/7**

(58) **Field of Search** D15/7-9; D23/231,
D23/232; 417/410.4, 359, 415, 410.3, 234,
229, 321, 411, 265, 405

(56) **References Cited**

U.S. PATENT DOCUMENTS

2,850,228 A * 9/1958 Rowley 417/411
D301,245 S * 5/1989 Hefling D15/7

D405,806 S * 2/1999 Poon D15/7
D422,601 S * 4/2000 Bonzer D15/7
D425,914 S * 5/2000 Tsai D15/7
D435,049 S * 12/2000 Tsai D15/7
D453,342 S * 2/2002 Wu D15/7
D453,524 S * 2/2002 Wu D15/7
D479,722 S * 9/2003 Poon D15/7

* cited by examiner

Primary Examiner—Ralf Seifert

(74) *Attorney, Agent, or Firm*—Alix, Yale & Ristas, LLP

(57) **CLAIM**

The air pump, as shown and described.

DESCRIPTION

FIG. 1 is a front perspective view of the air pump showing our new design;

FIG. 2 is a front view of the air pump of FIG. 1;

FIG. 3 is a rear view of the air pump of FIG. 1;

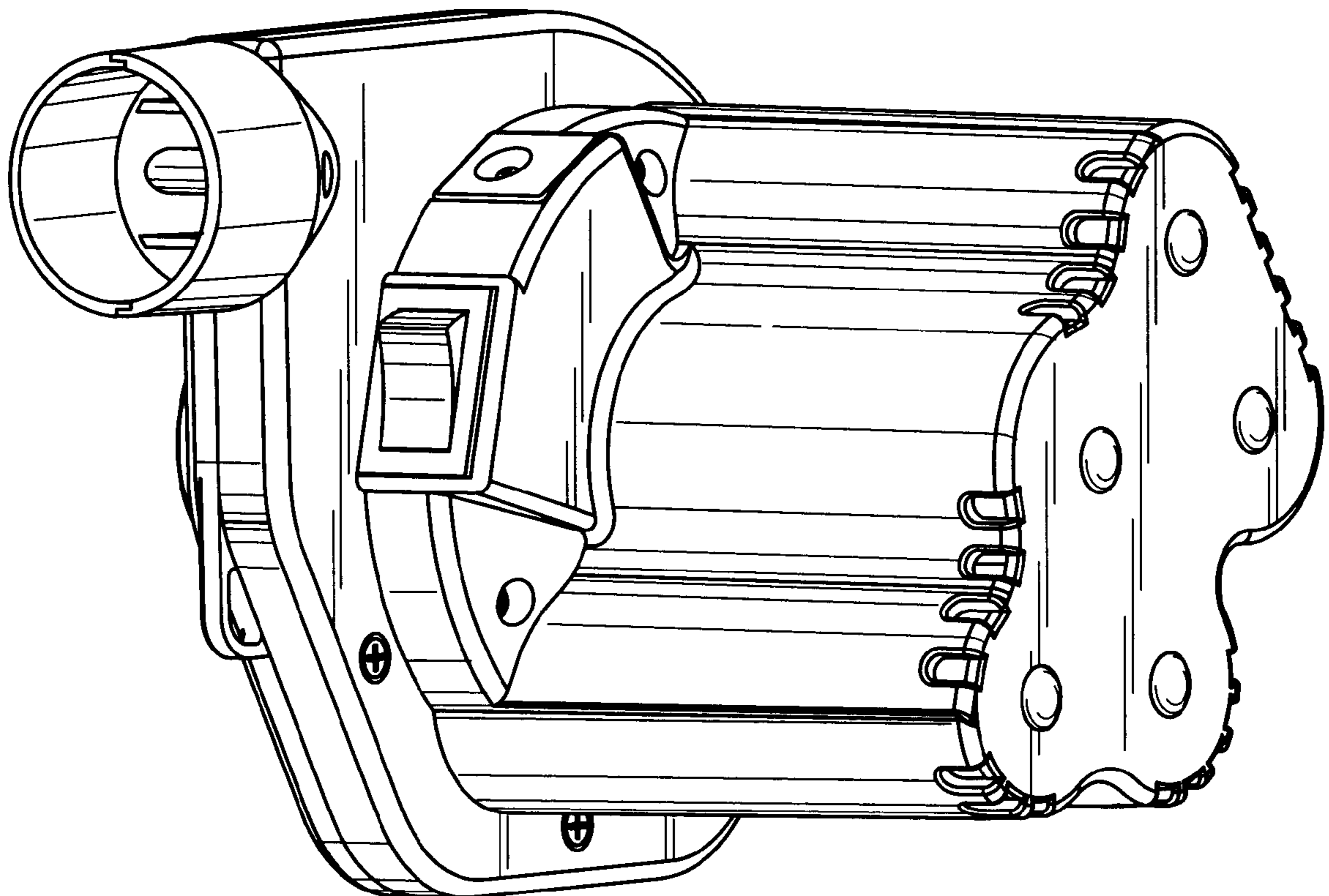
FIG. 4 is a left side view of the air pump of FIG. 1;

FIG. 5 is a right side view of the air pump of FIG. 1;

FIG. 6 is a top plan view of the air pump of FIG. 1; and,

FIG. 7 is a bottom plan view of the air pump of FIG. 1.

1 Claim, 4 Drawing Sheets



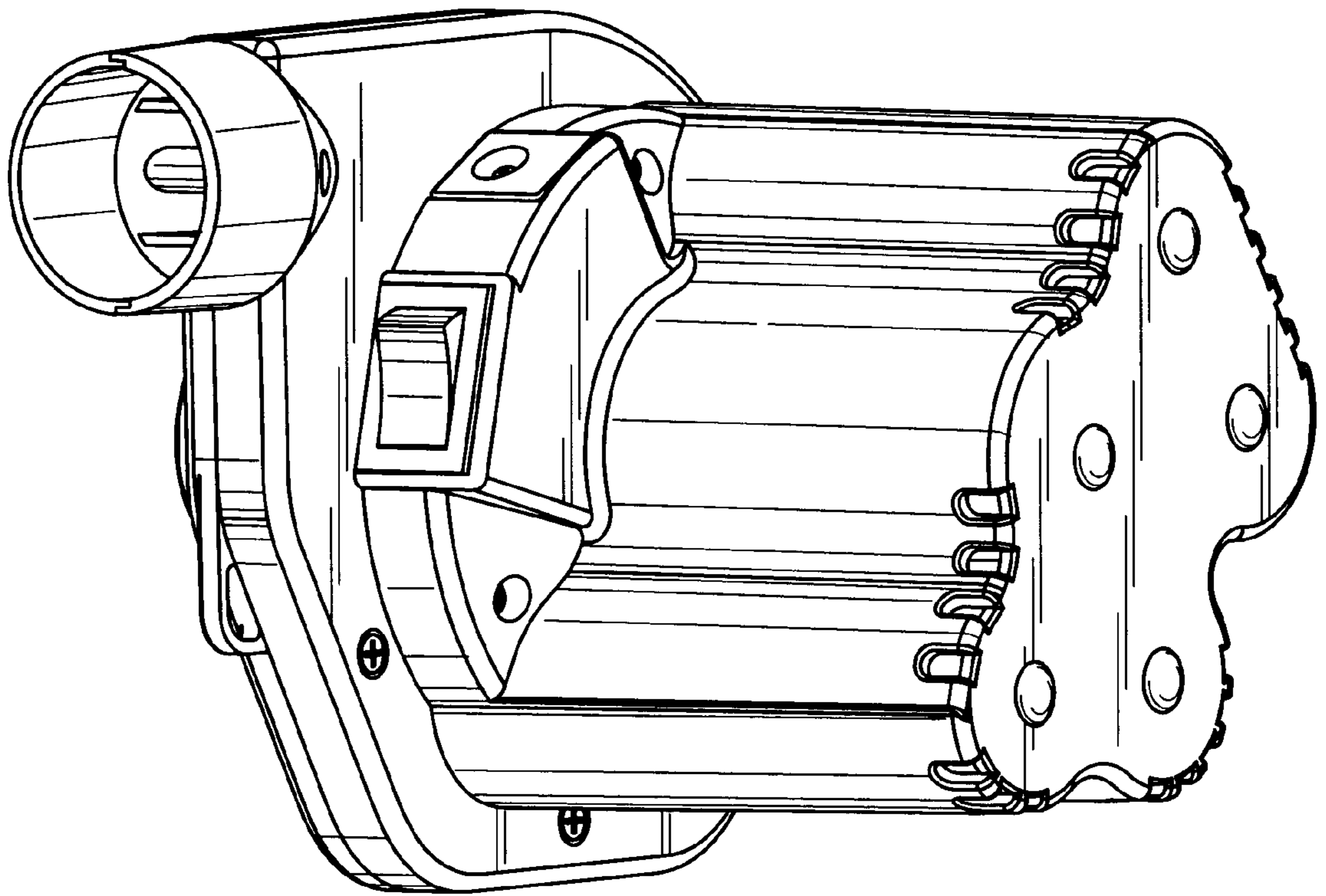


FIG. 1

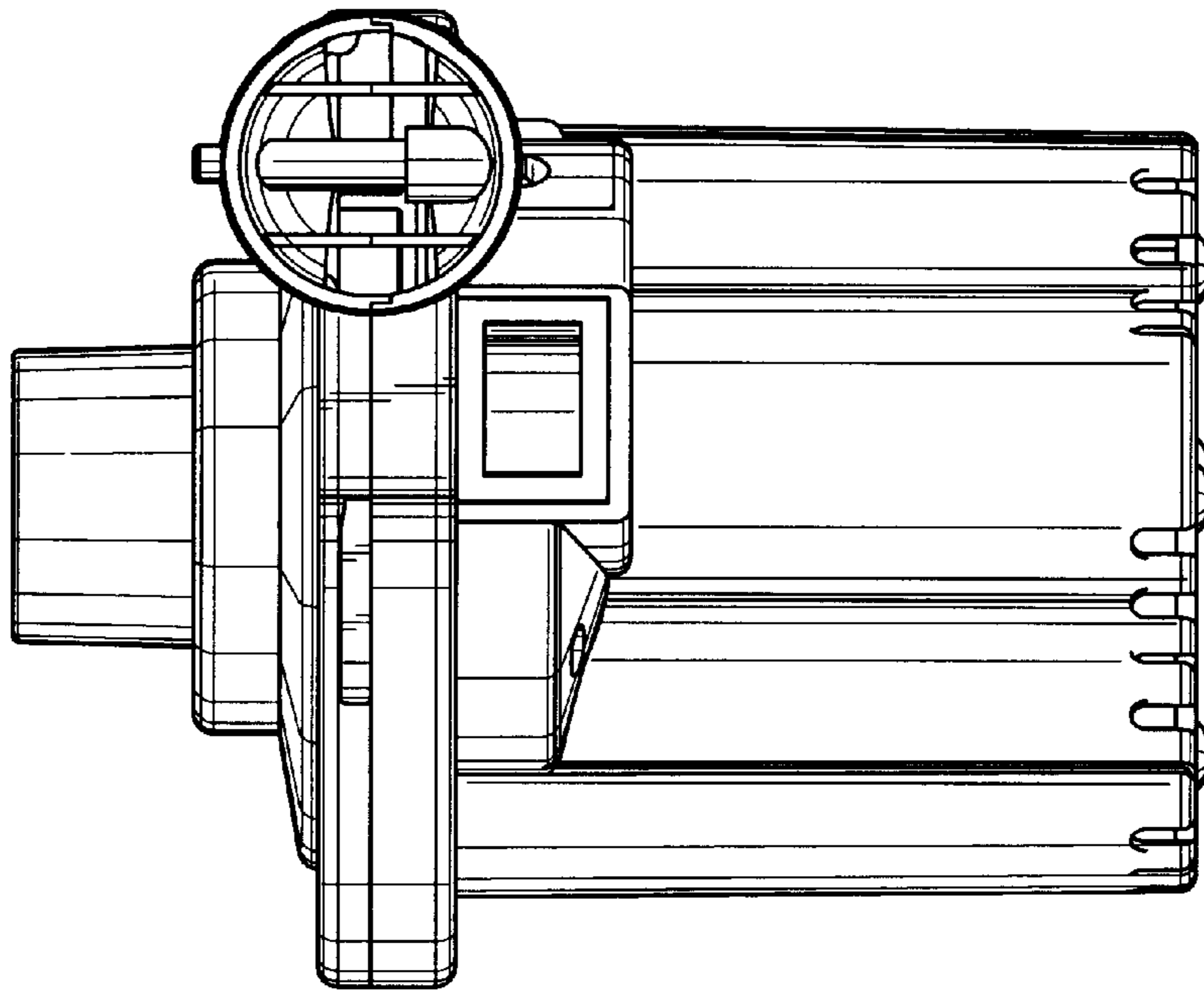


FIG. 2

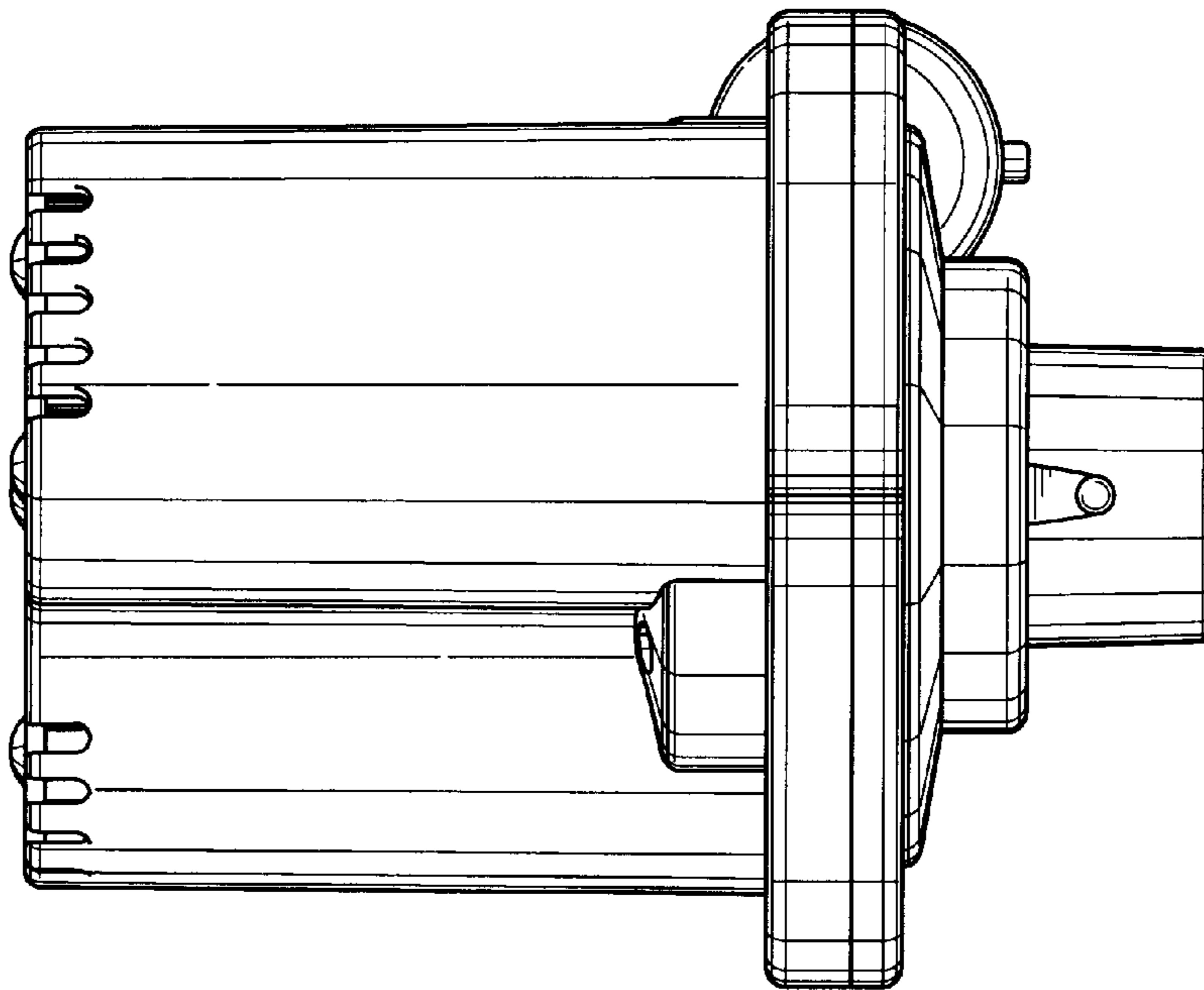


FIG. 3

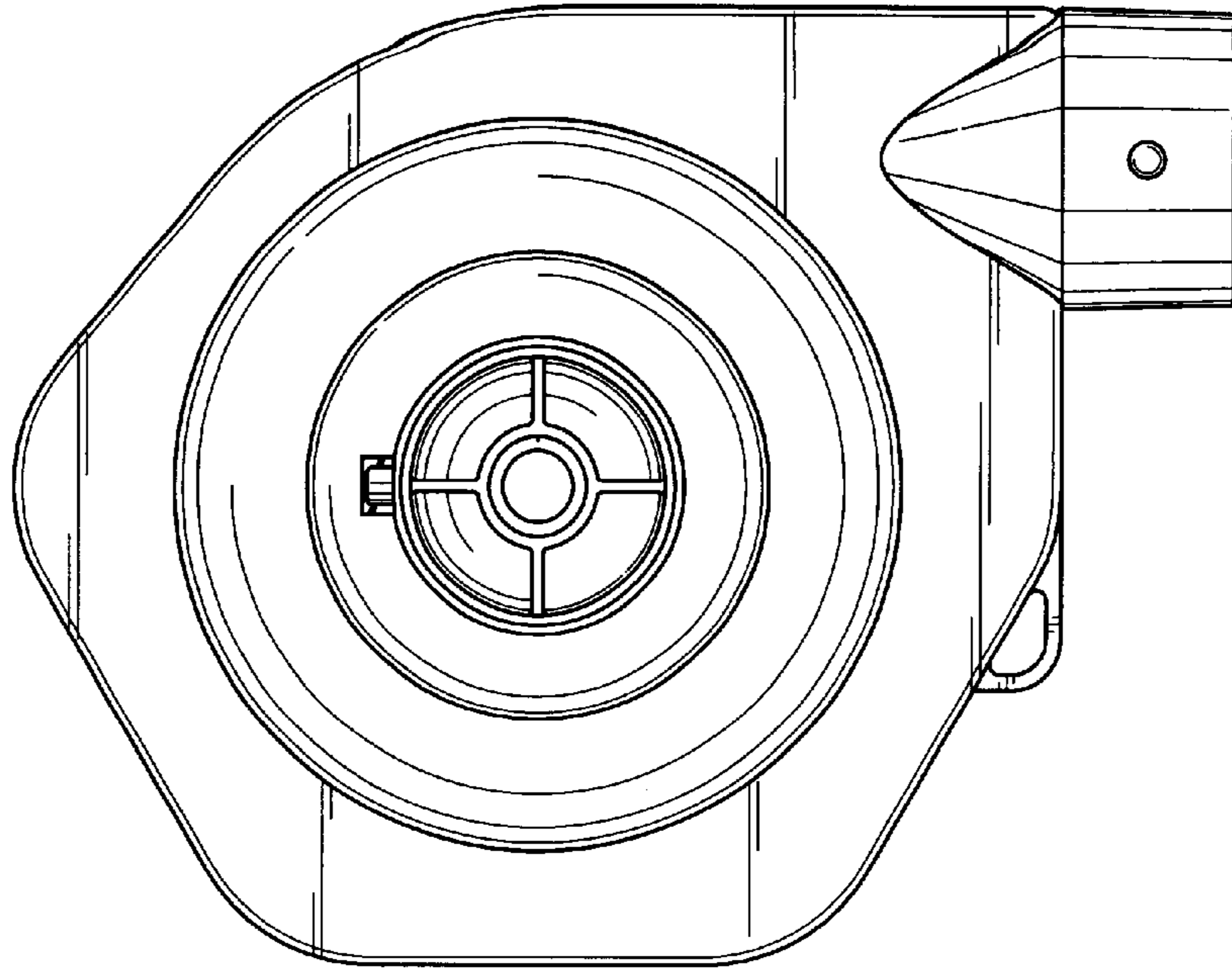


FIG. 4

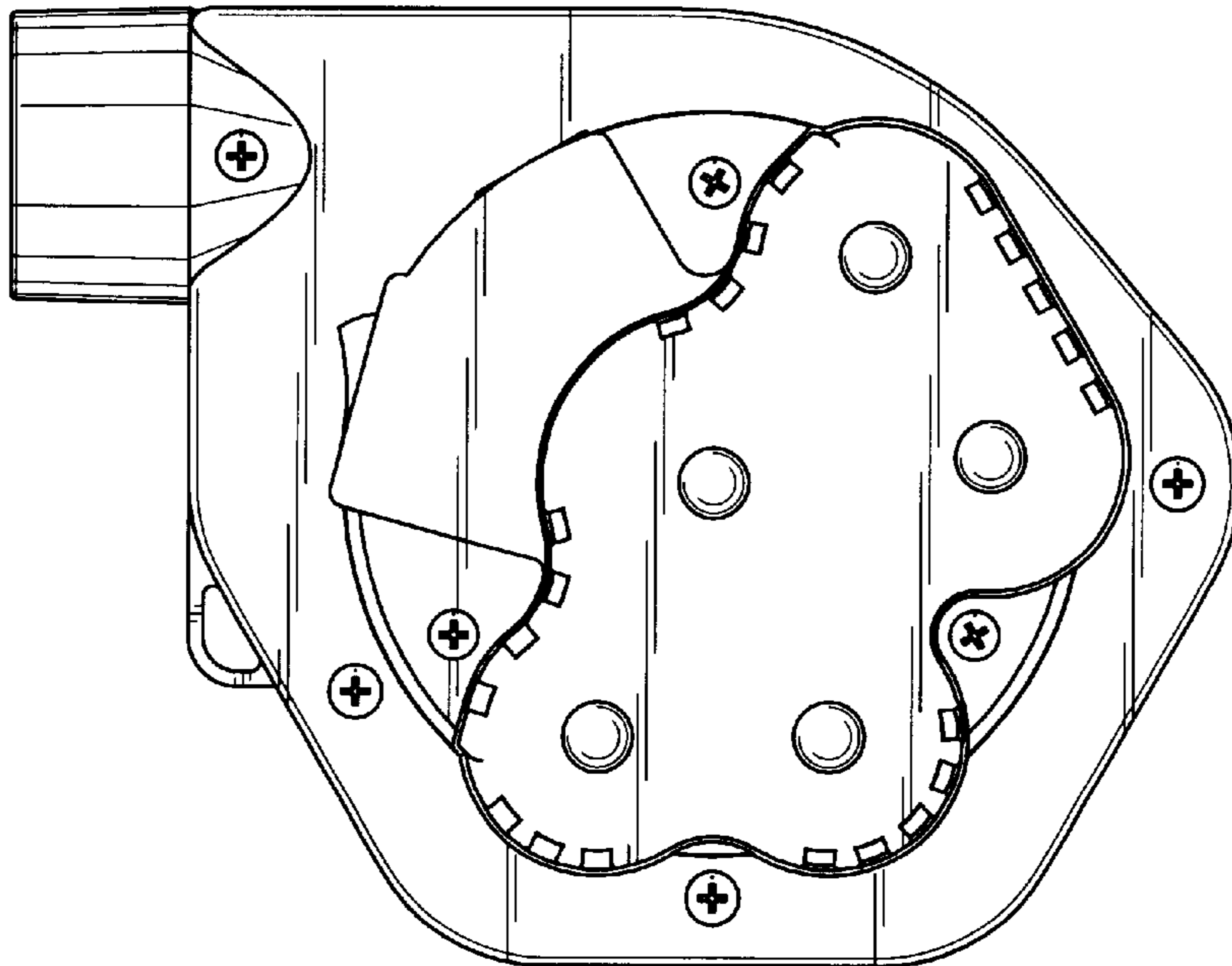


FIG. 5

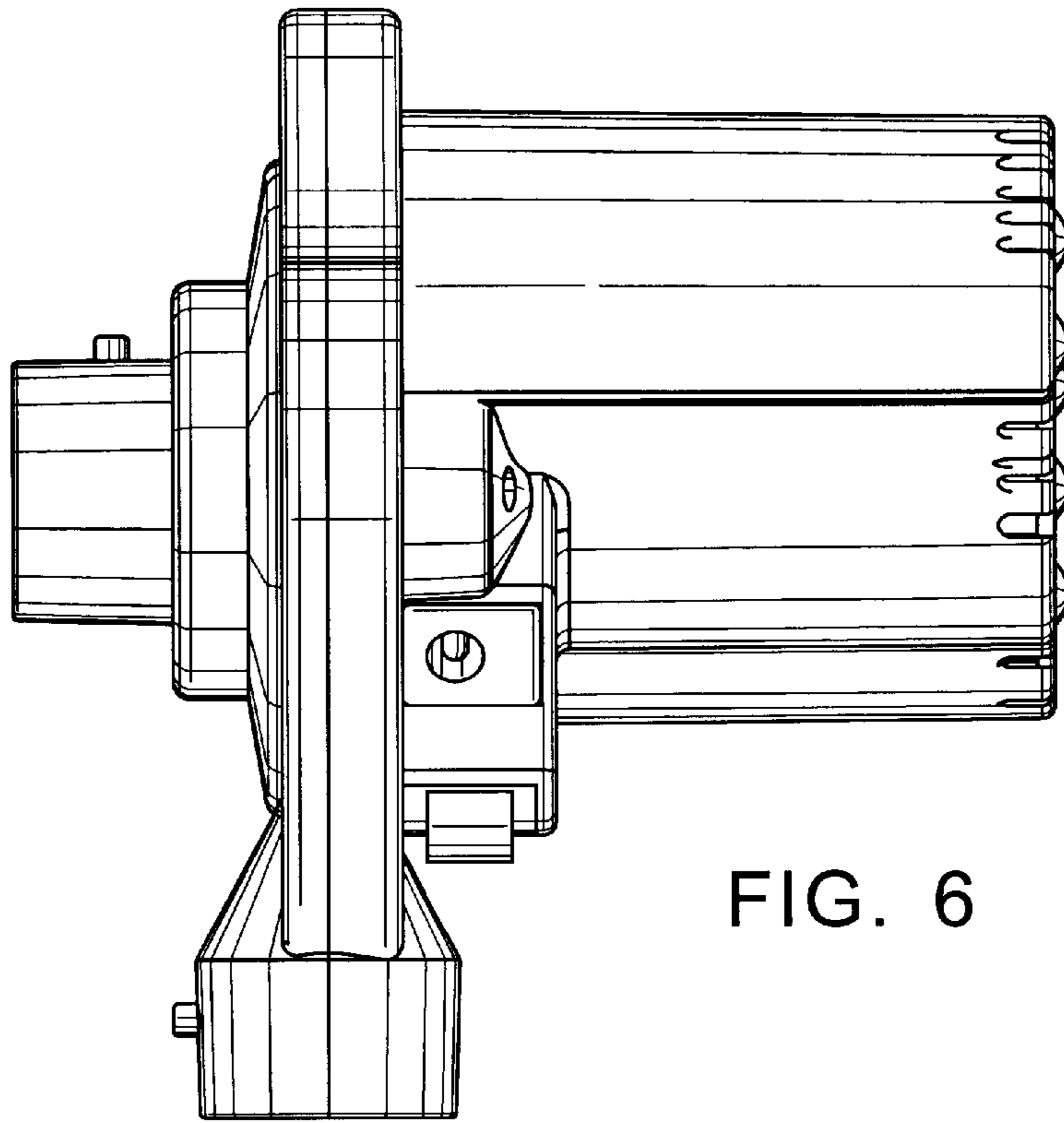


FIG. 6

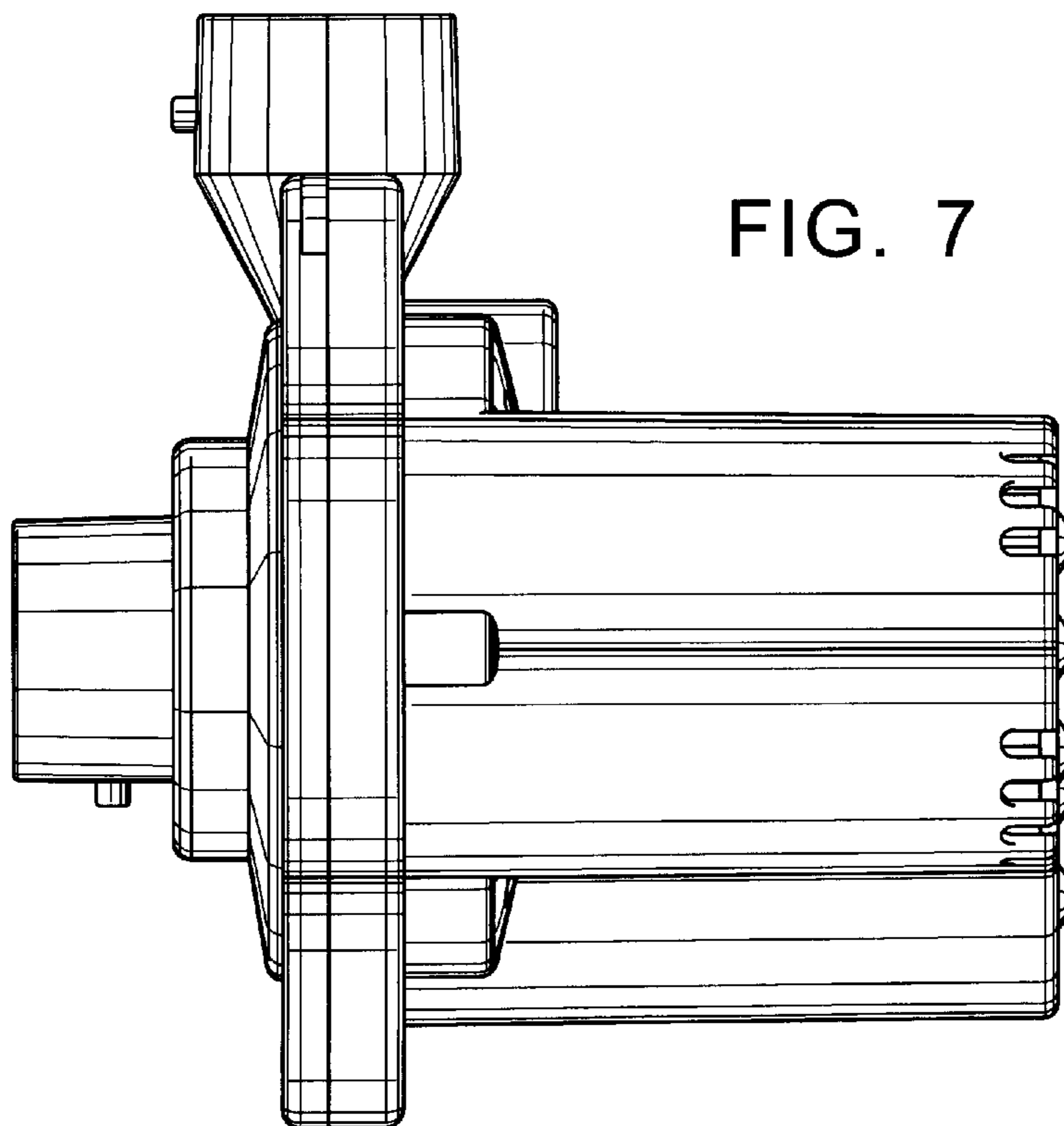


FIG. 7