



US00D491194S

(12) **United States Design Patent**
Wolford et al.

(10) **Patent No.:** **US D491,194 S**

(45) **Date of Patent:** **** Jun. 8, 2004**

(54) **TRANSMISSION FILTER**

D472,247 S * 3/2003 Beer et al. D15/5

(75) Inventors: **James B. Wolford**, Chicago, IL (US);
Abraham Khalil, Lake Barrington, IL (US)

* cited by examiner

Primary Examiner—Melody N. Brown
(74) *Attorney, Agent, or Firm*—Baker & Hostetler LLP

(73) Assignee: **SPX Corporation**, Charlotte, NC (US)

(57) **CLAIM**

(**) Term: **14 Years**

The ornamental design for a transmission filter, as shown and described.

(21) Appl. No.: **29/180,024**

(22) Filed: **Apr. 18, 2003**

(51) **LOC (7) Cl.** **15-01**

(52) **U.S. Cl.** **D15/5**

(58) **Field of Search** D15/1-5, 149;
210/168, 314, 445

DESCRIPTION

(56) **References Cited**

U.S. PATENT DOCUMENTS

D420,682 S	*	2/2000	Werner	D15/5
D421,025 S	*	2/2000	Werner	D15/5
D458,275 S	*	6/2002	Weng	D15/5
D463,803 S	*	10/2002	Wolford	D15/5
D464,062 S	*	10/2002	Wolford	D15/5

FIG. 1 is a top plan view of a transmission filter according to the inventive design;
FIG. 2 is a bottom plan view thereof;
FIG. 3 is a bottom-side elevation view thereof;
FIG. 4 is a top-side elevation view thereof;
FIG. 5 is a right-side elevation view thereof; and,
FIG. 6 is a left-side elevation view thereof.

The ornamental design, which is claimed, is shown in solid lines in the drawings. Any broken lines in the drawings are for illustrative purposes only and form no part of the claimed design.

1 Claim, 4 Drawing Sheets

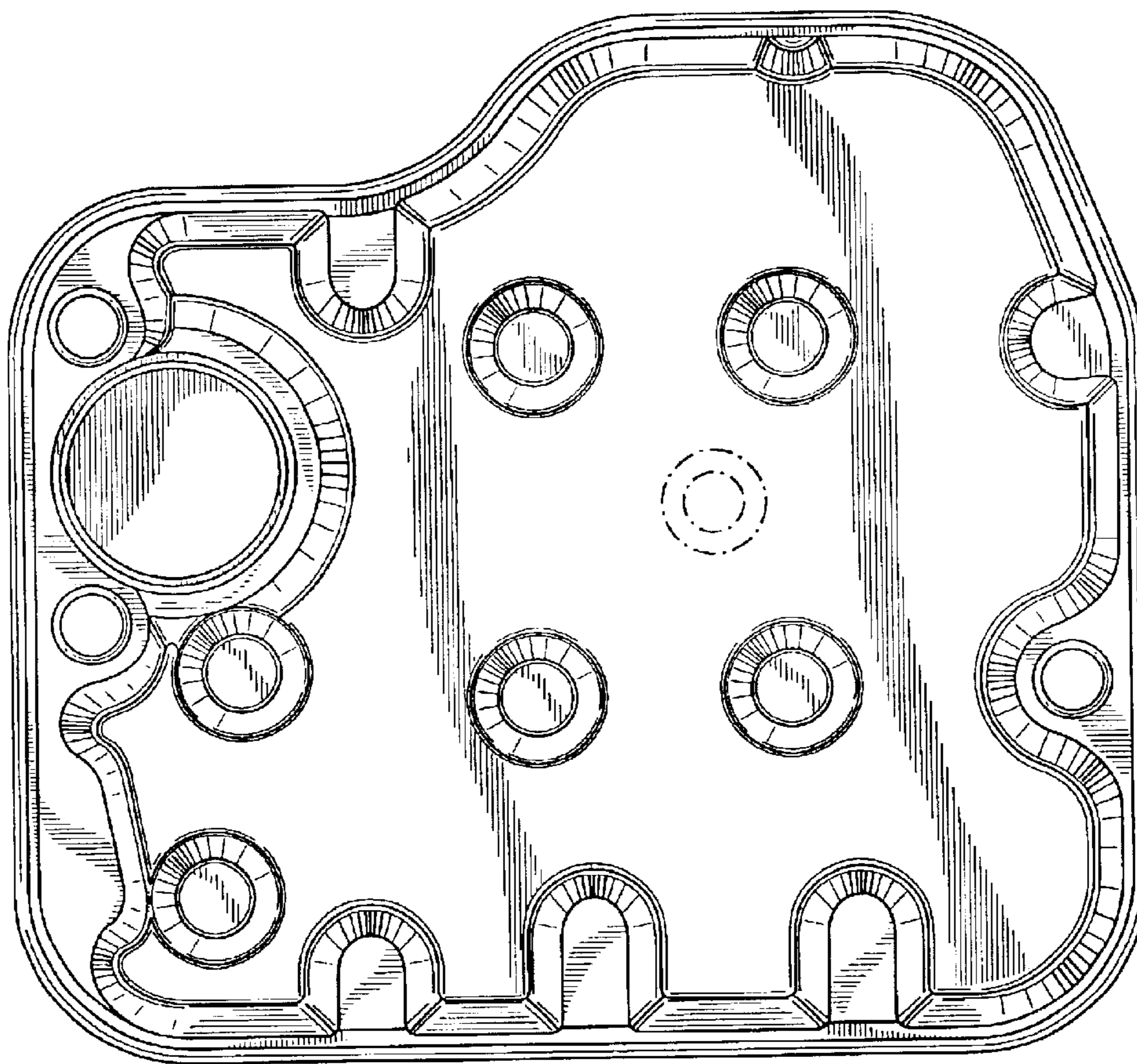
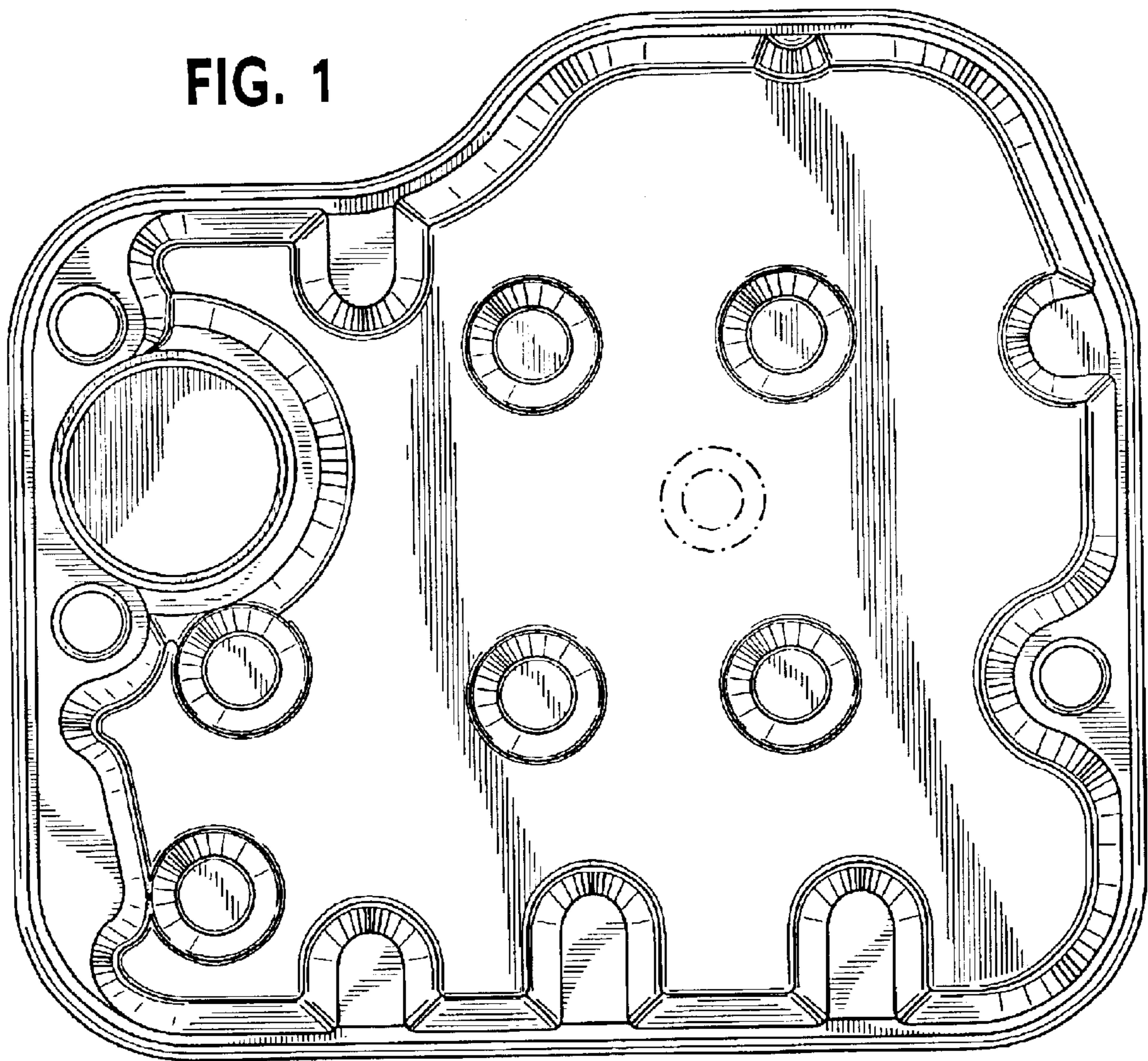


FIG. 1



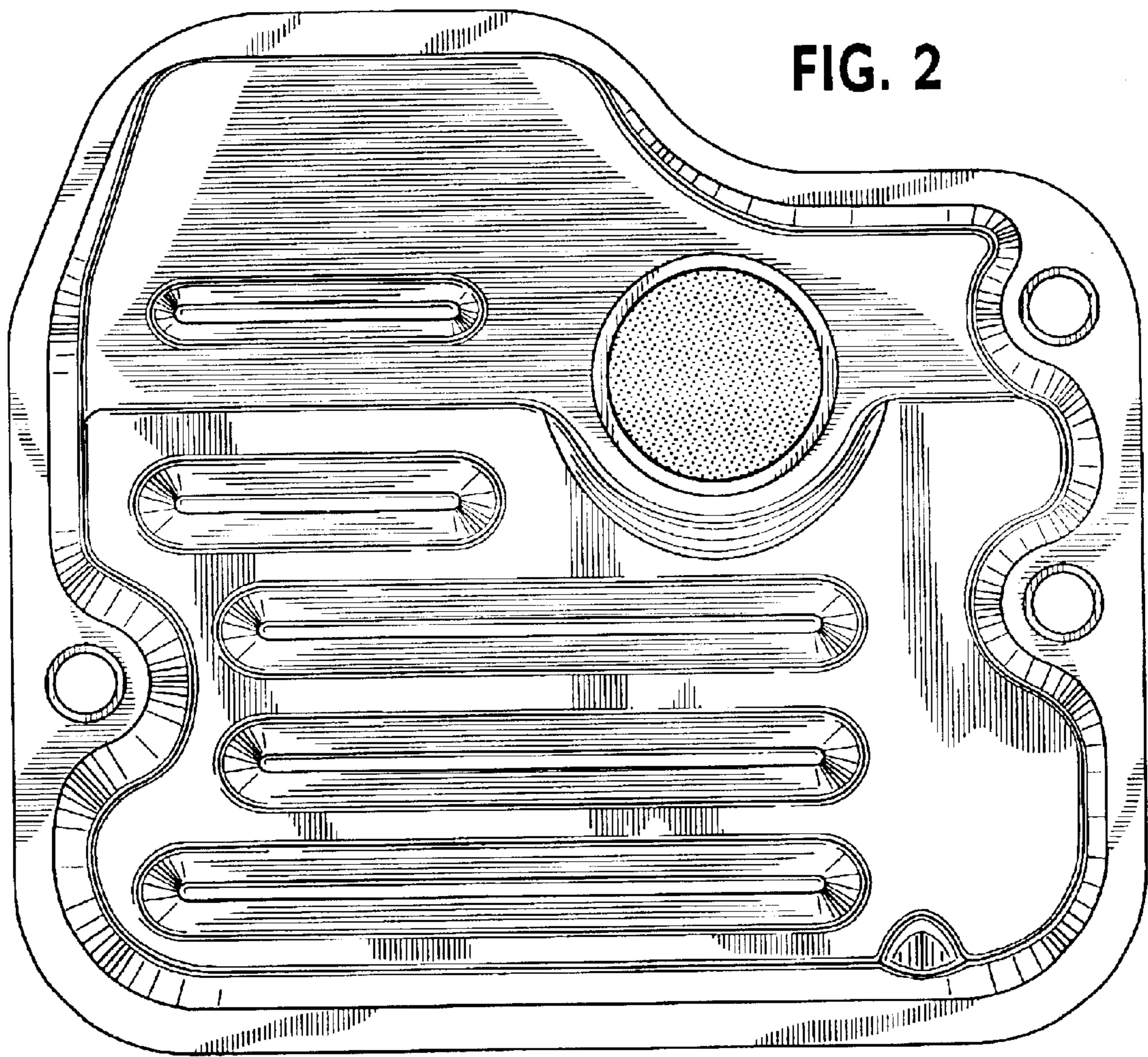


FIG. 2

FIG. 3

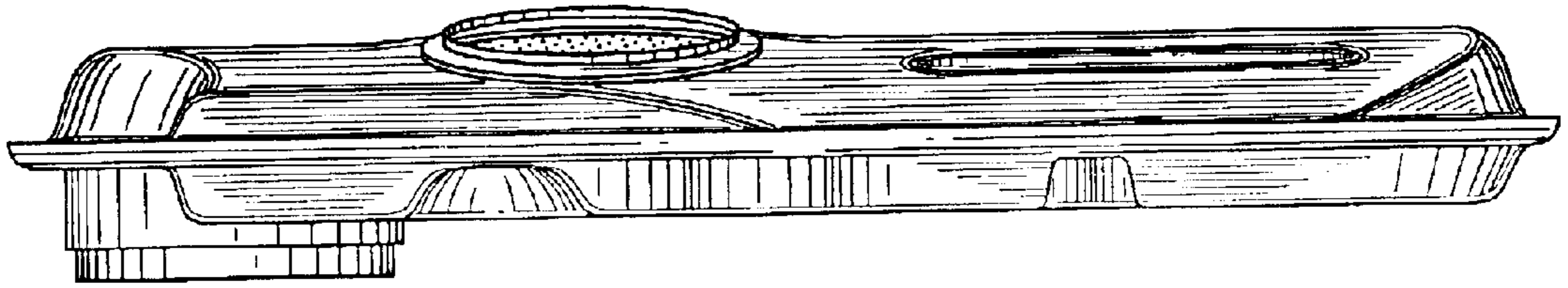


FIG. 4

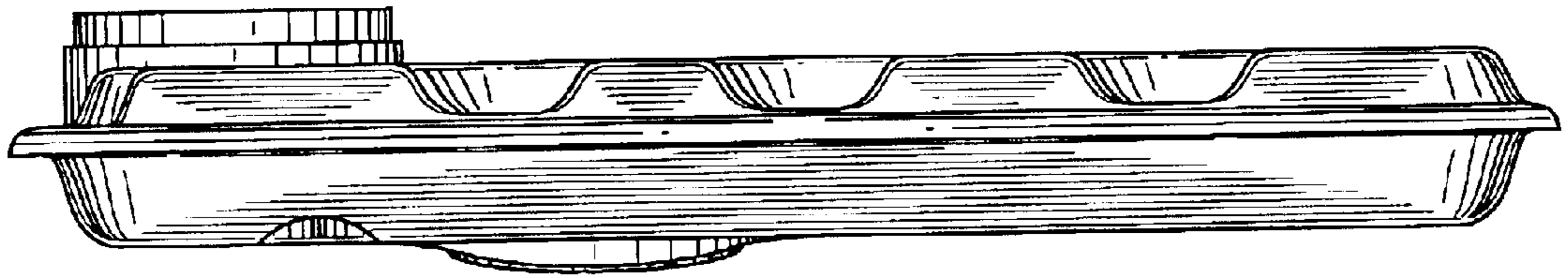


FIG. 5

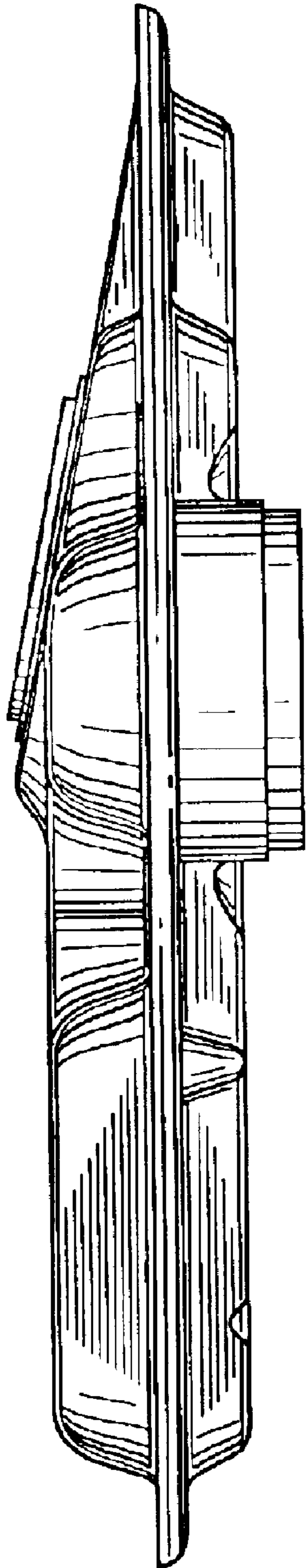


FIG. 6

