



US00D491193S

(12) **United States Design Patent**  
**Davis**

(10) **Patent No.:** **US D491,193 S**

(45) **Date of Patent:** **\*\* Jun. 8, 2004**

(54) **INTERNAL COMBUSTION ENGINE**

(75) **Inventor:** **Steven T. Davis**, Green Bay, WI (US)

(73) **Assignee:** **Tecumseh Products Company**,  
Tecumseh, MI (US)

(\*\*) **Term:** **14 Years**

(21) **Appl. No.:** **29/179,262**

(22) **Filed:** **Apr. 8, 2003**

(51) **LOC (7) Cl.** ..... **15-01**

(52) **U.S. Cl.** ..... **D15/1**

(58) **Field of Search** ..... D15/1-5, 14-17;  
123/41.7, 198 E

(56) **References Cited**

**U.S. PATENT DOCUMENTS**

|            |        |                 |       |       |
|------------|--------|-----------------|-------|-------|
| D308,871 S | 6/1990 | Harkness et al. | ..... | D15/1 |
| D308,872 S | 6/1990 | Harkness et al. | ..... | D15/1 |
| D309,458 S | 7/1990 | Johnson et al.  | ..... | D15/1 |
| D310,373 S | 9/1990 | Ishii et al.    | ..... | D15/1 |
| D343,843 S | 2/1994 | Mikado          | ..... | D15/1 |

|             |   |         |                 |       |           |
|-------------|---|---------|-----------------|-------|-----------|
| D396,045 S  | * | 7/1998  | Neeley          | ..... | D15/1     |
| 5,813,384 A |   | 9/1998  | Lavender et al. | ..... | 123/198 E |
| D421,024 S  |   | 2/2000  | Katoh           | ..... | D15/1     |
| D471,560 S  |   | 3/2003  | Davis           | ..... | D15/1     |
| D475,065 S  | * | 5/2003  | Shimizu et al.  | ..... | D15/1     |
| D481,043 S  | * | 10/2003 | Yuzuriha et al. | ..... | D15/1     |

\* cited by examiner

*Primary Examiner*—Lisa Lichtenstein

(74) *Attorney, Agent, or Firm*—Baker & Daniels

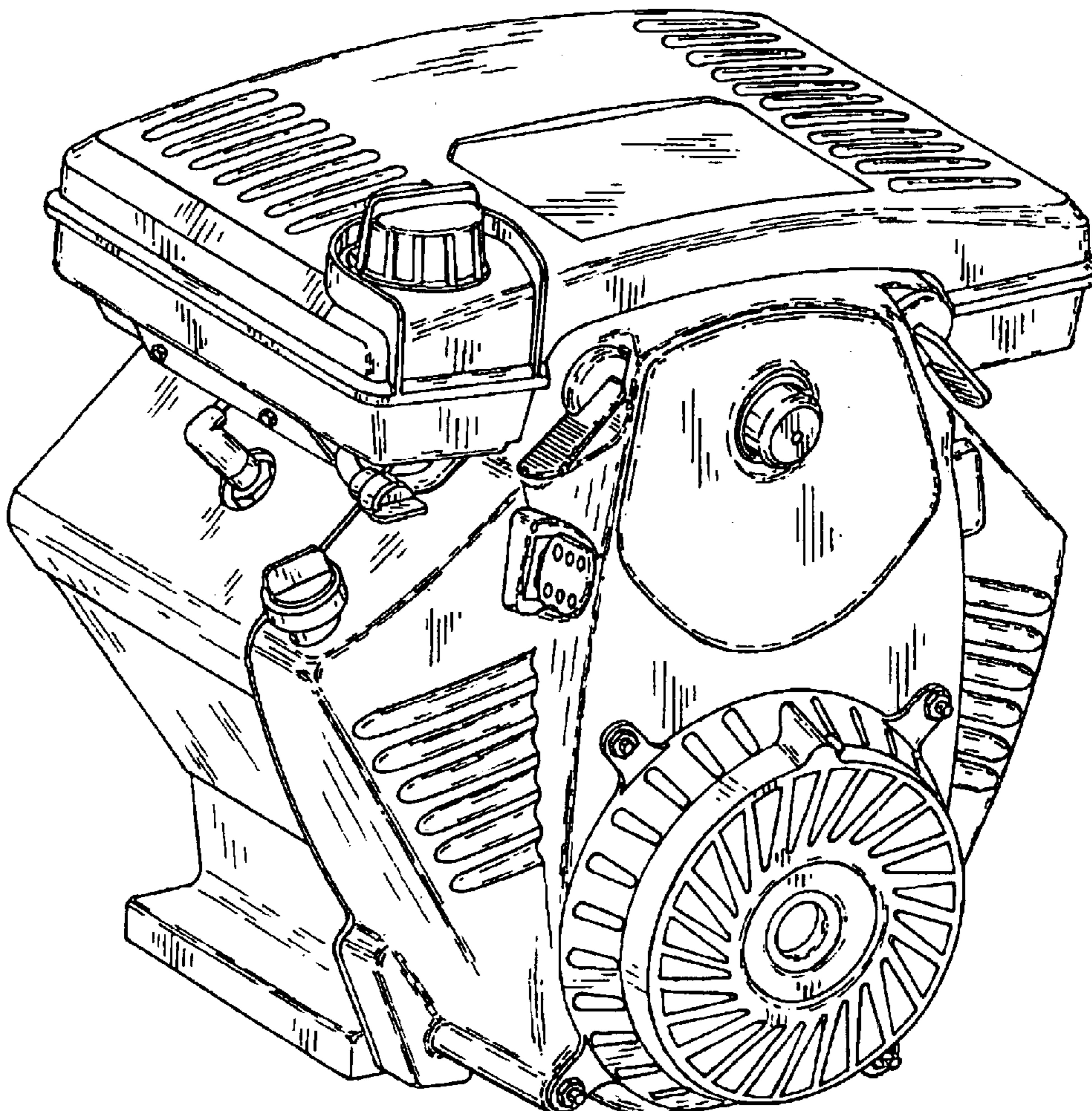
(57) **CLAIM**

Th ornamental design for an internal combustion engine, as shown and described.

**DESCRIPTION**

FIG. 1 is a front perspective view of an internal combustion engine showing my new design;  
FIG. 2 is a front elevational view thereof;  
FIG. 3 is a right side elevational view thereof;  
FIG. 4 is a left side elevational view thereof; and,  
FIG. 5 is a top view thereof.

**1 Claim, 5 Drawing Sheets**



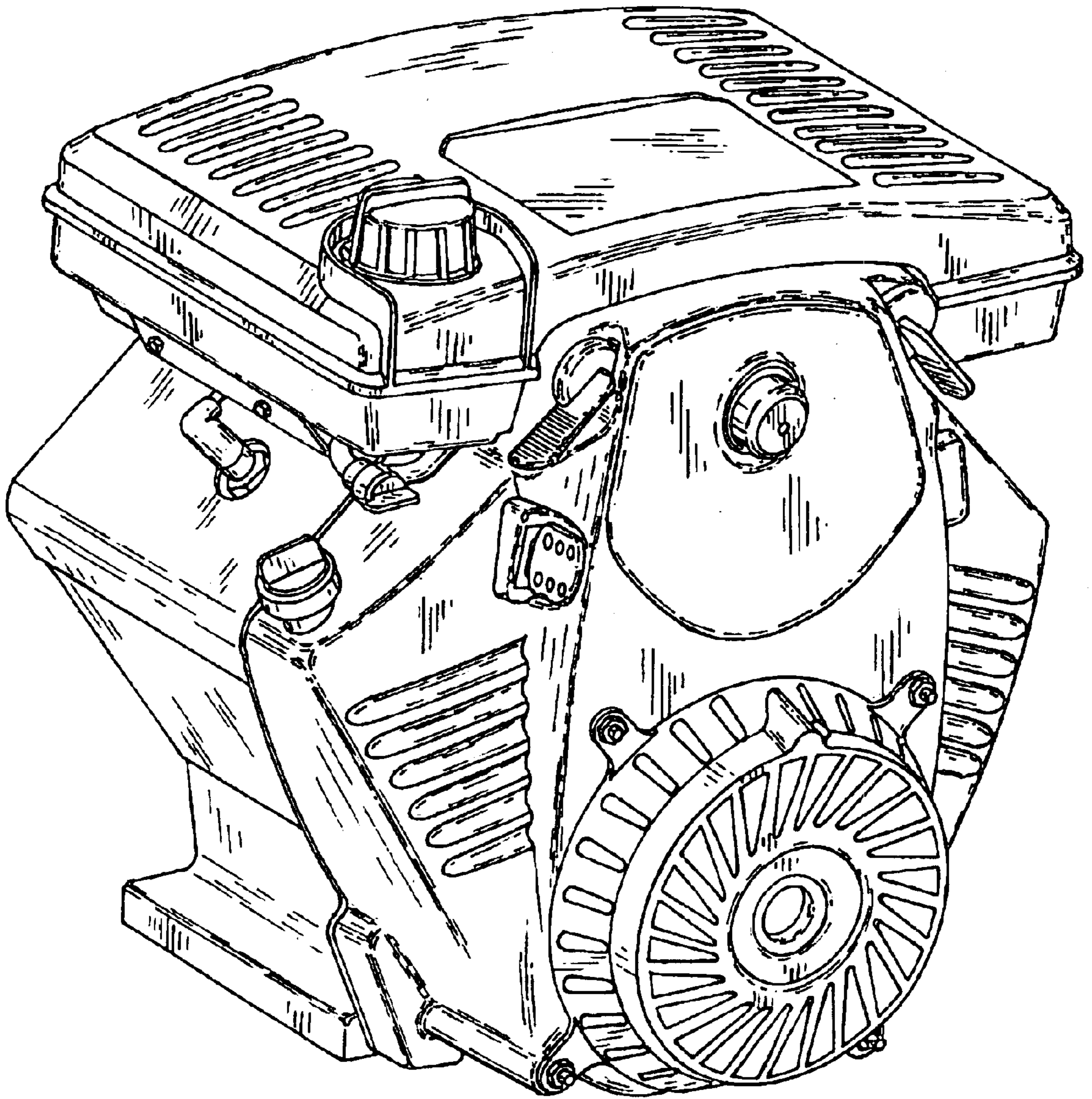


FIG. 1

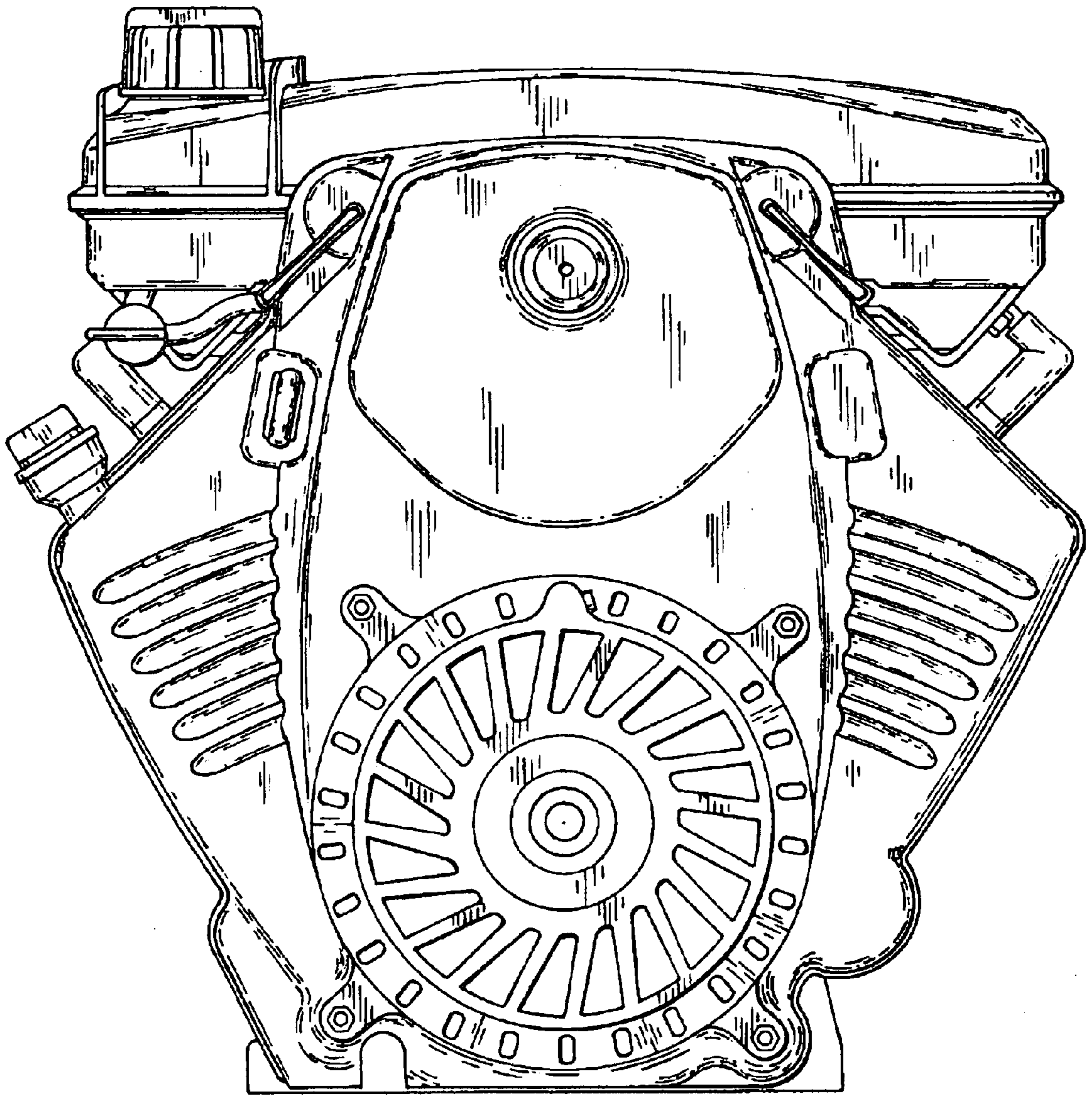


FIG. 2

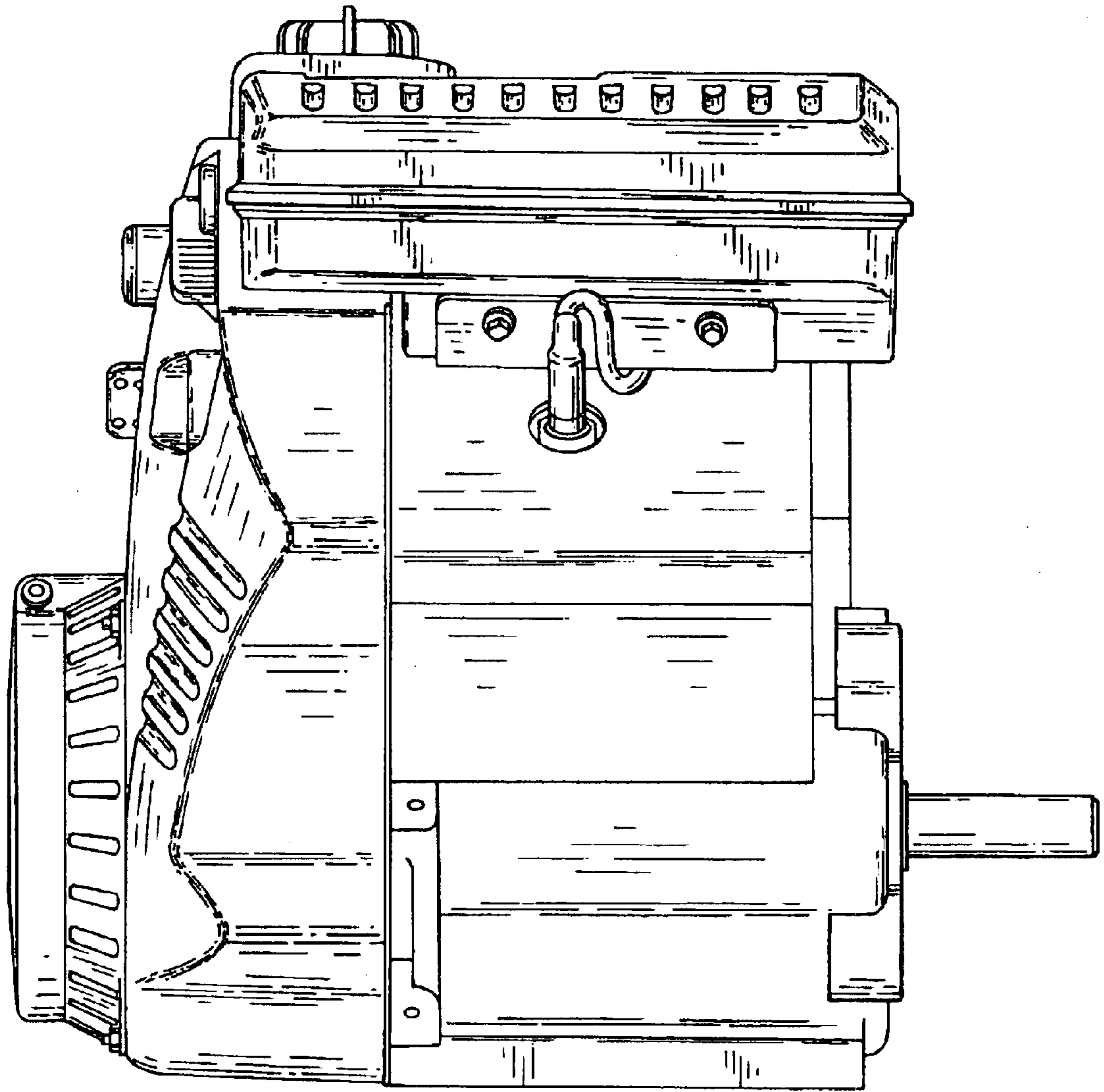


FIG. 3

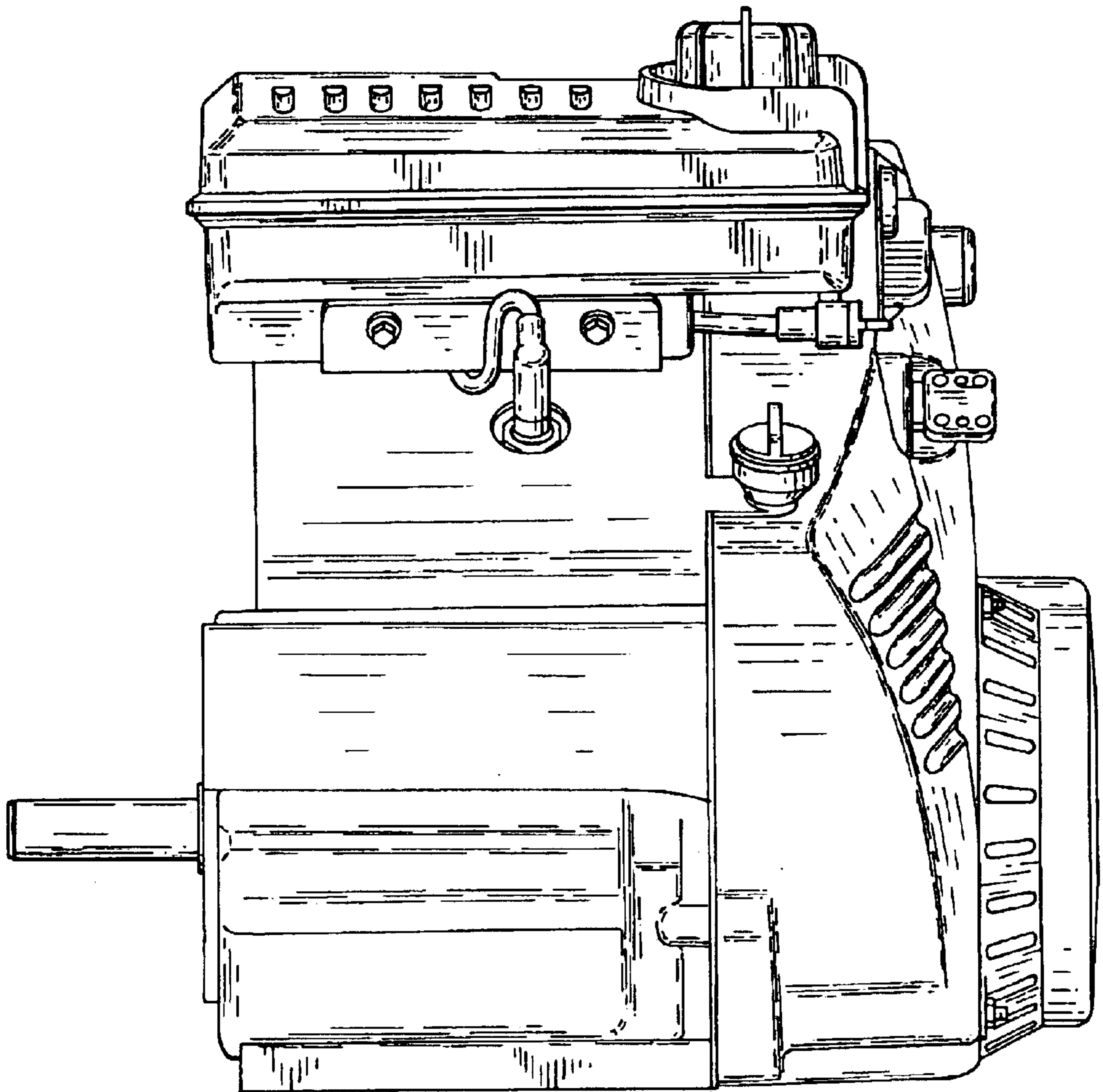


FIG. 4

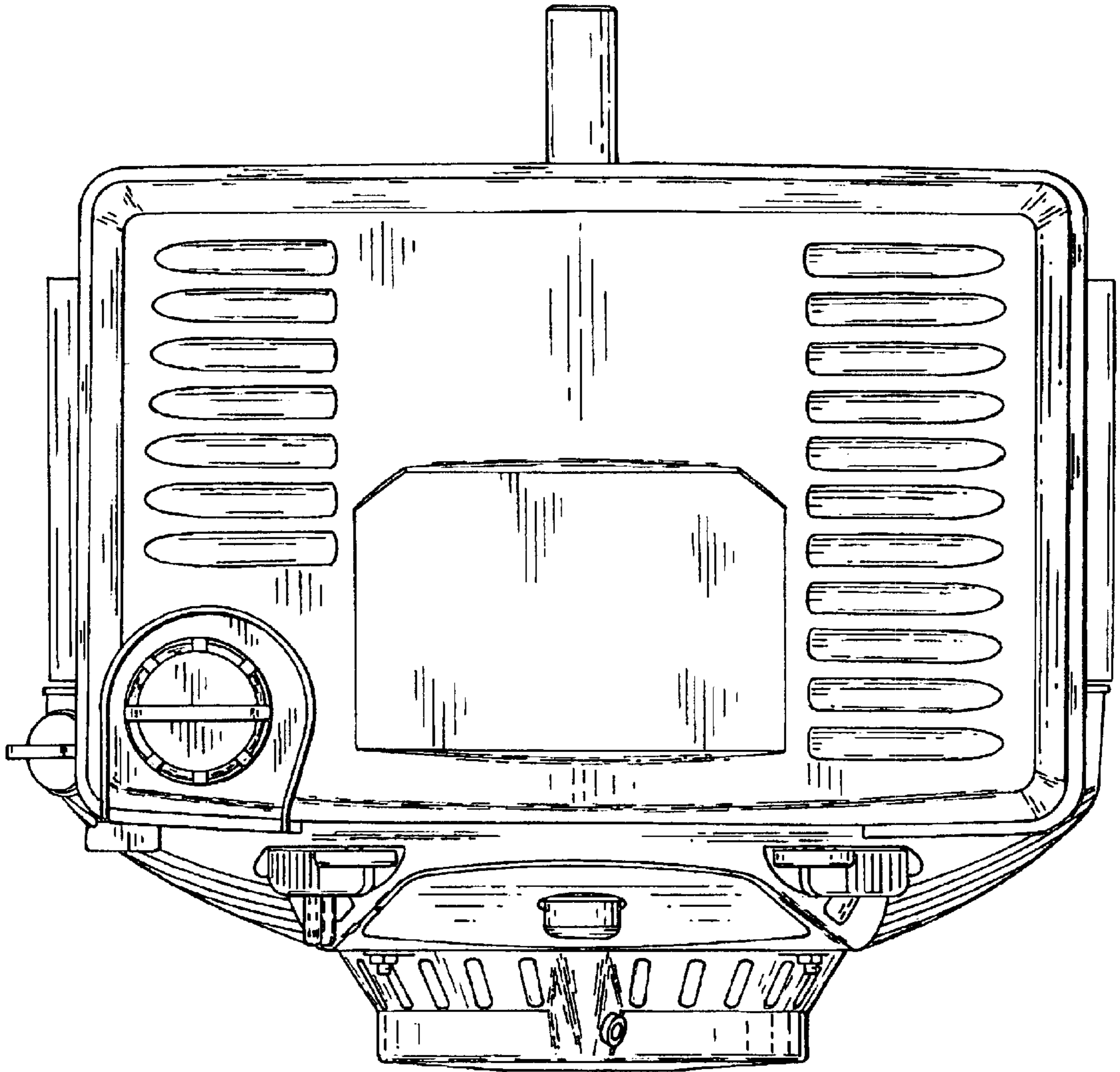


FIG. 5