



US00D491192S

(12) **United States Design Patent**
Davis

(10) **Patent No.:** **US D491,192 S**

(45) **Date of Patent:** **** Jun. 8, 2004**

(54) **INTERNAL COMBUSTION ENGINE**

(75) **Inventor:** **Steven T. Davis**, Green Bay, WI (US)

(73) **Assignee:** **Tecumseh Products Company**,
Tecumseh, MI (US)

(**) **Term:** **14 Years**

(21) **Appl. No.:** **29/179,261**

(22) **Filed:** **Apr. 8, 2003**

(51) **LOC (7) Cl.** **15-01**

(52) **U.S. Cl.** **D15/1**

(58) **Field of Search** D15/1-5, 14-17;
123/41.7, 198 E

(56) **References Cited**

U.S. PATENT DOCUMENTS

D308,871 S	6/1990	Harkness et al.	D15/1
D308,872 S	6/1990	Harkness et al.	D15/1
D309,458 S	7/1990	Johnson et al.	D15/1
D310,373 S	9/1990	Ishii et al.	D15/1
D343,843 S	2/1994	Mikado	D15/1
D396,045 S	* 7/1998	Neeley	D15/1

5,813,384 A	9/1998	Lavender et al.	123/198 E
D421,024 S	2/2000	Katoh	D15/1
D471,560 S	3/2003	Davis	D15/1
D475,065 S	* 5/2003	Shimizu et al.	D15/1
D481,043 S	* 10/2003	Yuzuriha et al.	D15/1

* cited by examiner

Primary Examiner—Lisa Lichtenstein
(74) *Attorney, Agent, or Firm*—Baker & Daniels

(57) **CLAIM**

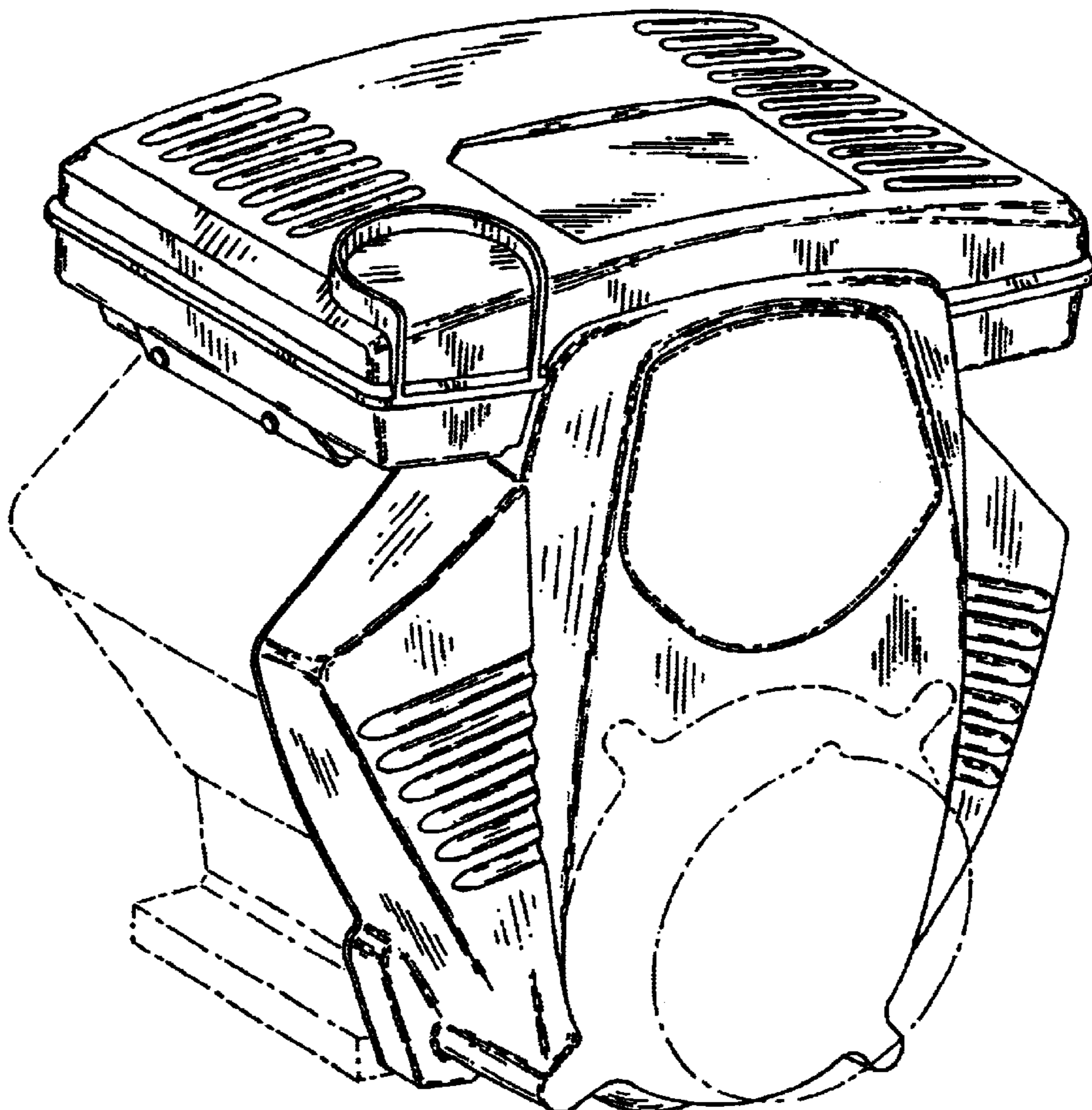
The ornamental design for an internal combustion engine, as shown.

DESCRIPTION

FIG. 1 is a front perspective view of a portion of an internal combustion engine showing my new design; FIG. 2 is a front elevational view thereof; FIG. 3 is a right side elevational view thereof; FIG. 4 is a left side elevational view thereof; and, FIG. 5 is a top view thereof.

The broken line showing of environmental structure is for illustrative purposes only and forms no part of the claimed design.

1 Claim, 5 Drawing Sheets



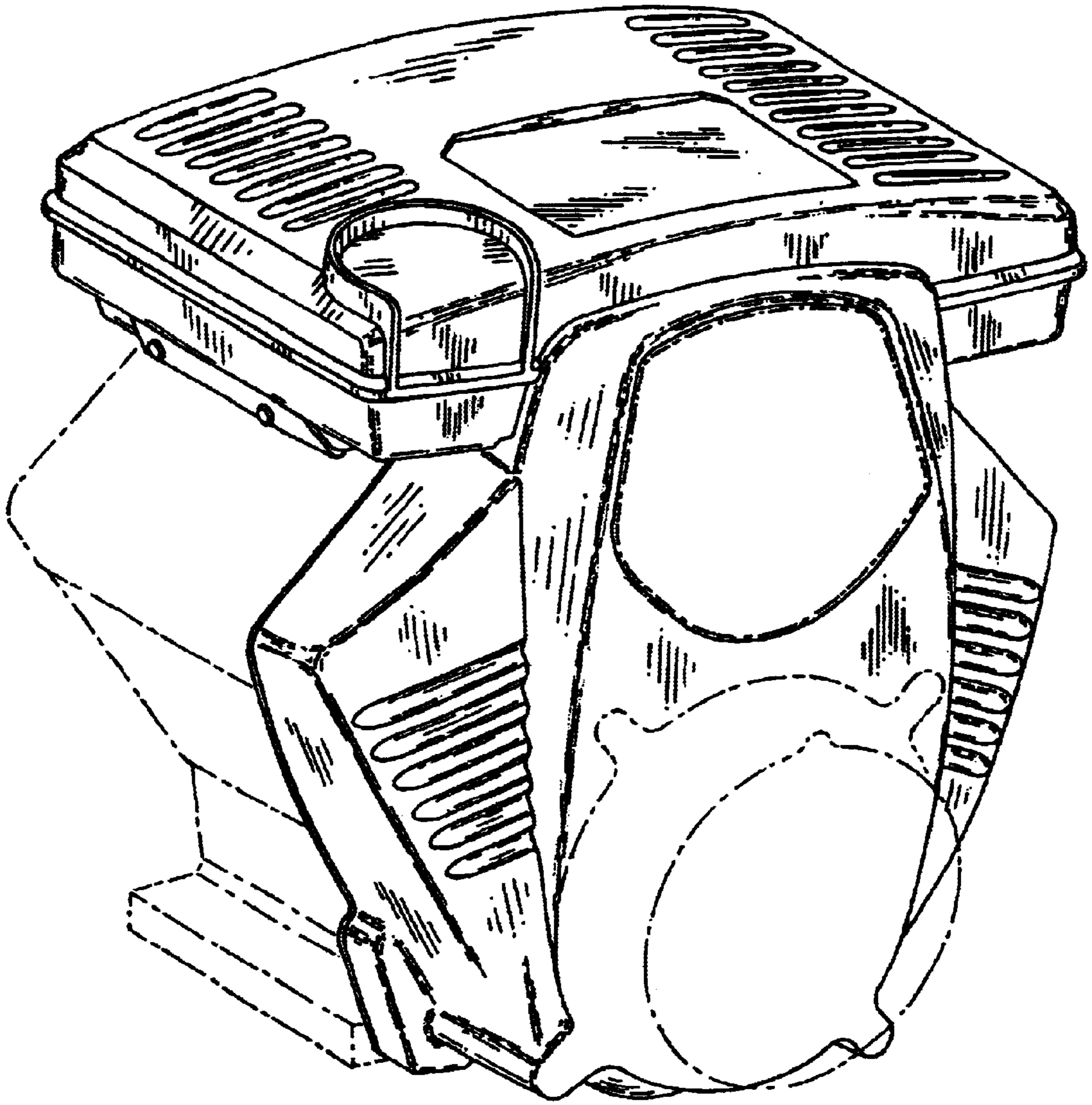


FIG. 1

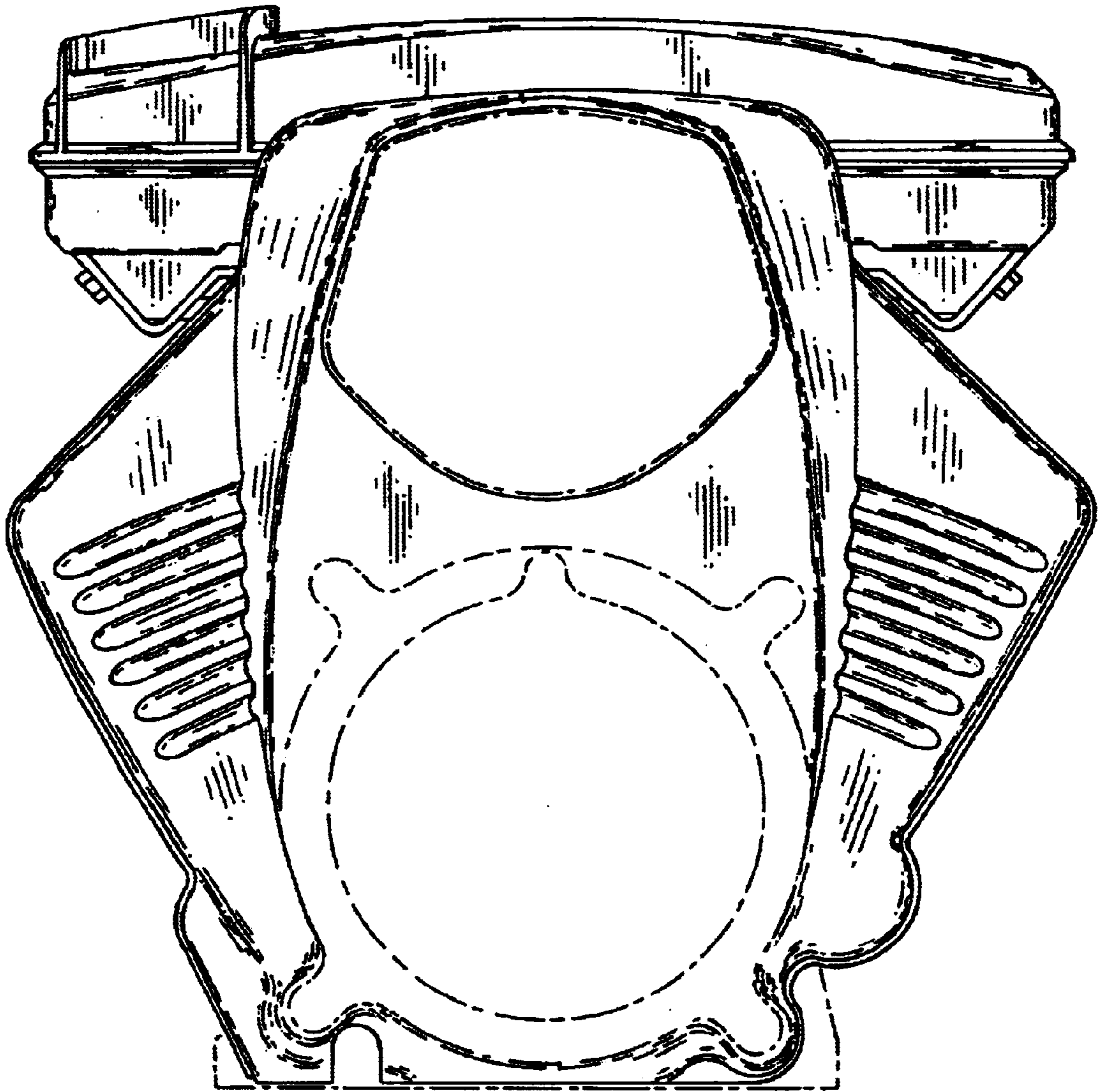


FIG. 2

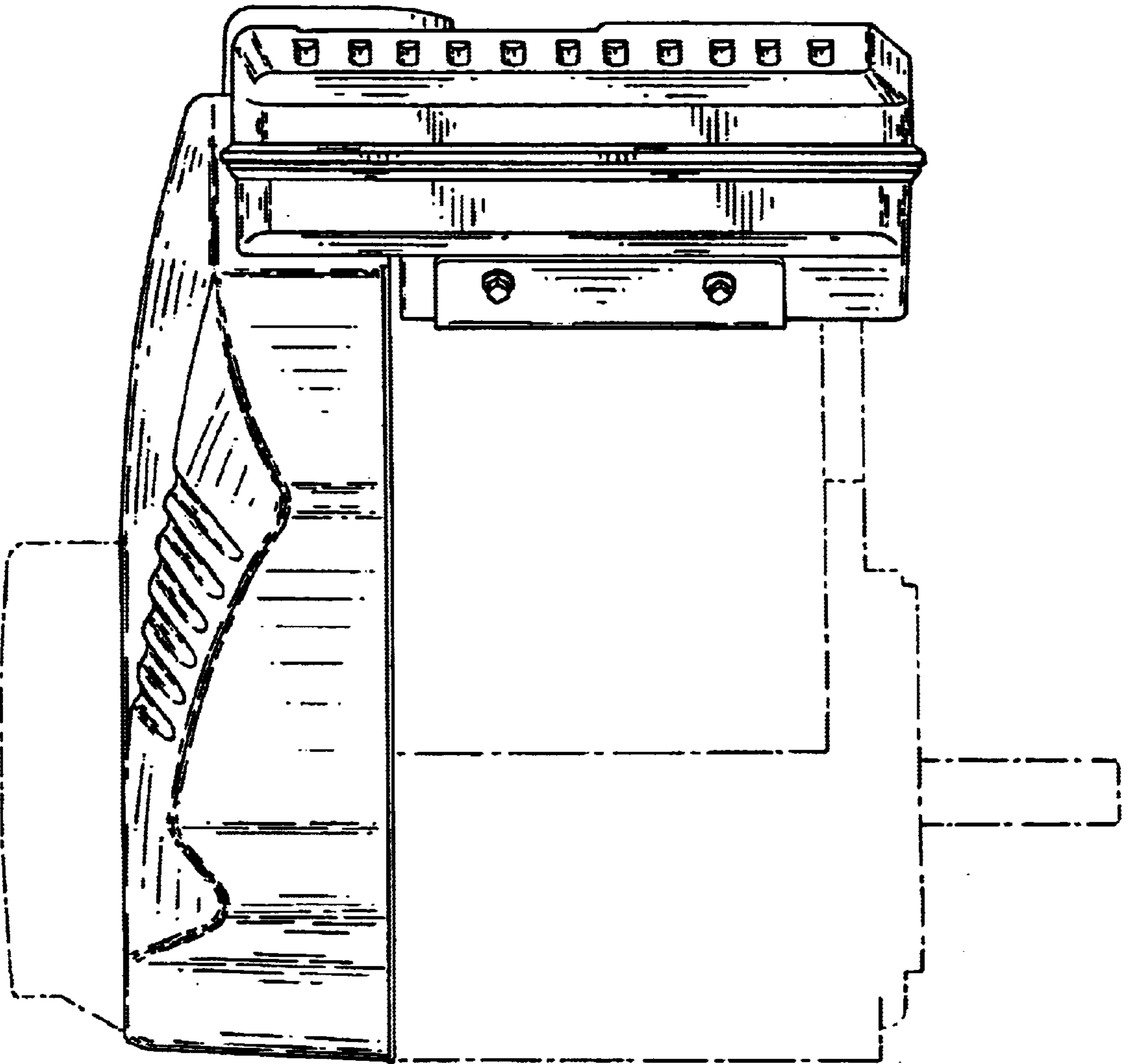


FIG. 3

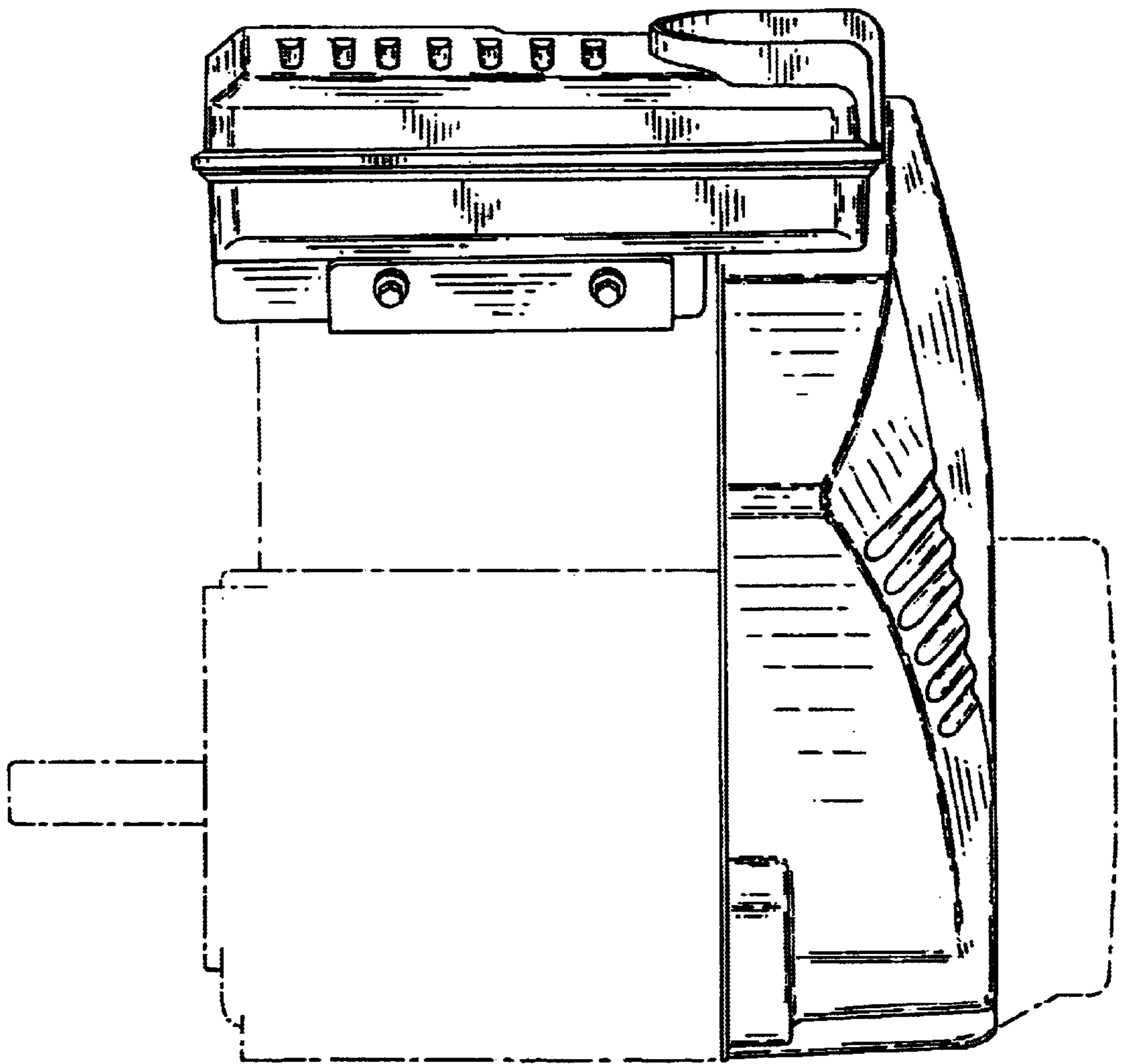


FIG. 4

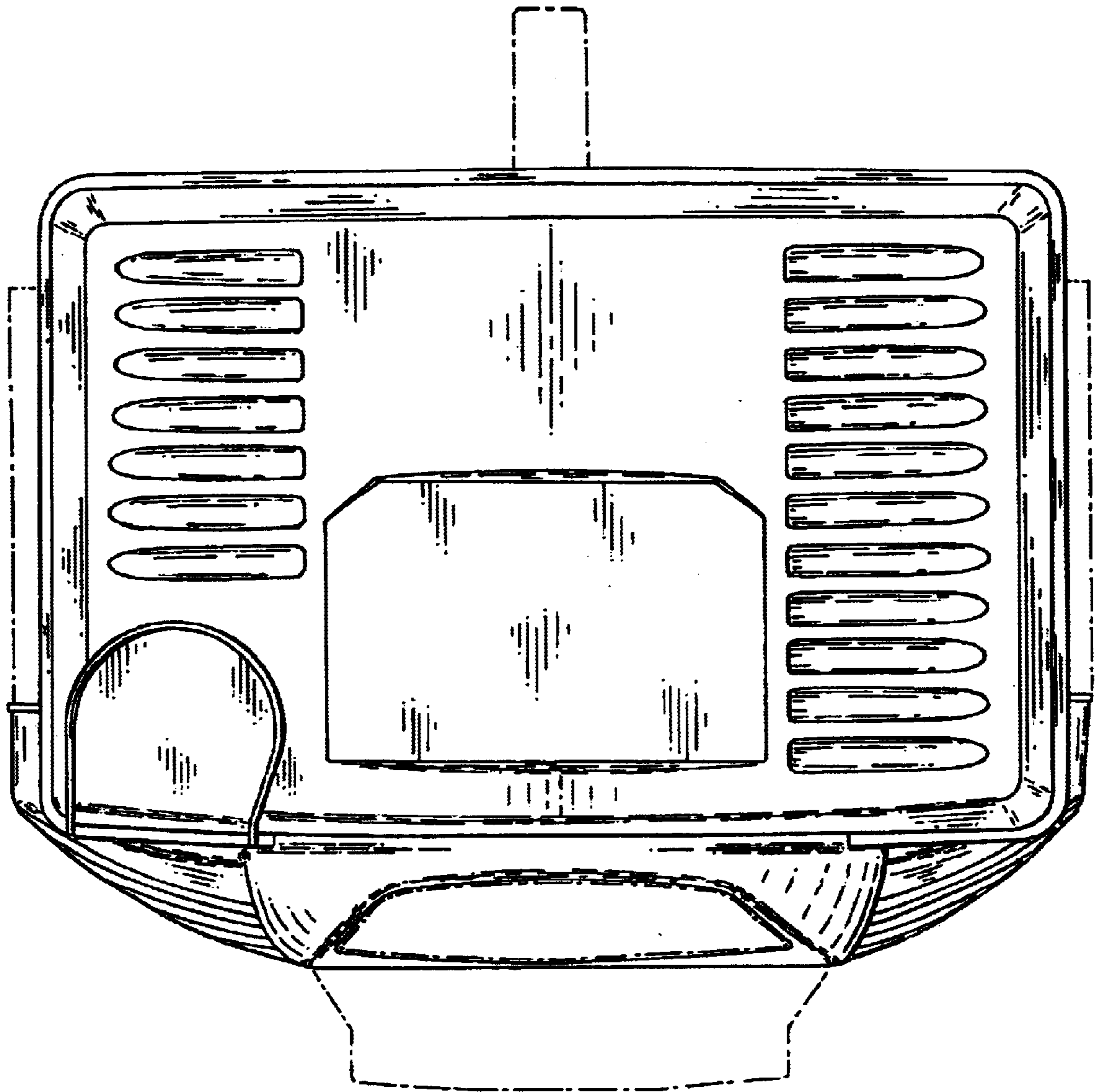


FIG. 5

UNITED STATES PATENT AND TRADEMARK OFFICE
CERTIFICATE OF CORRECTION

PATENT NO. : Des. 491,192 S
DATED : June 8, 2004
INVENTOR(S) : Steven T. Davis

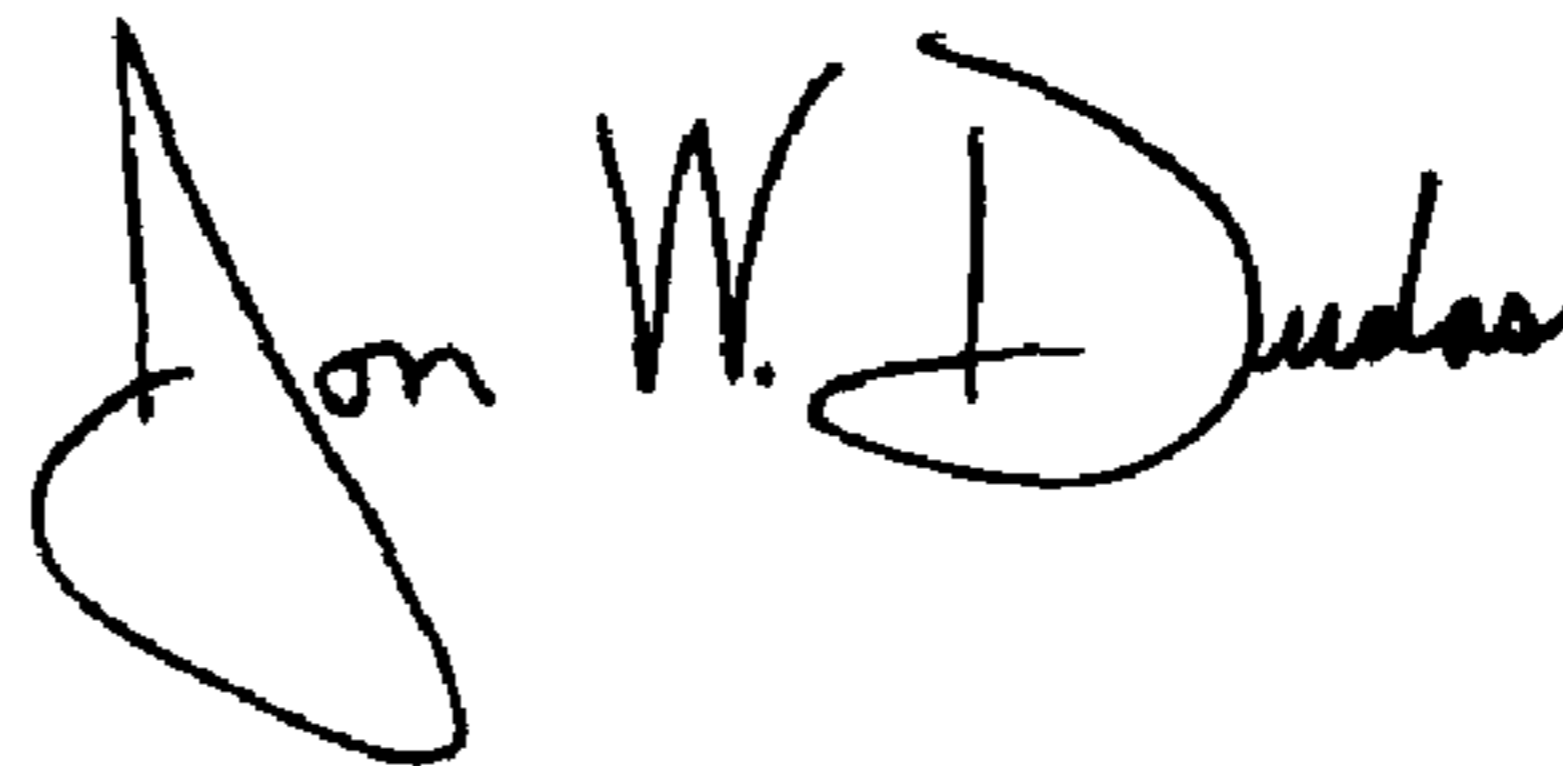
Page 1 of 1

It is certified that error appears in the above-identified patent and that said Letters Patent is hereby corrected as shown below:

Title page,
Item [57], **CLAIM**, after “as shown” insert -- and described --.

Signed and Sealed this

Seventeenth Day of May, 2005

A handwritten signature in black ink that reads "Jon W. Dudas". The signature is written in a cursive style with a large, looped initial "J".

JON W. DUDAS
Director of the United States Patent and Trademark Office