



US00D491189S

(12) **United States Design Patent**  
**Williams**

(10) **Patent No.:** **US D491,189 S**

(45) **Date of Patent:** **\*\* Jun. 8, 2004**

(54) **STORAGE COMPARTMENT WITH HINGED FACE PLATE FOR EMPTY COMPUTER BAY**

D468,278 S \* 1/2003 Kabasawa ..... D14/136

\* cited by examiner

(76) Inventor: **Gary D. Williams**, 13018 Lakota Dr.,  
Moreno Valley, CA (US) 92553-7827

*Primary Examiner*—Kay H. Chin

(74) *Attorney, Agent, or Firm*—Donald R. Schoonover

(\*\*) Term: **14 Years**

(57) **CLAIM**

(21) Appl. No.: **29/165,479**

The ornamental design for a storage compartment with hinged face plate for empty computer bay, as shown and described.

(22) Filed: **Aug. 12, 2002**

(51) **LOC (7) Cl.** ..... **14-02**

(52) **U.S. Cl.** ..... **D14/439; D14/442**

(58) **Field of Search** ..... D14/432, 439,  
D14/441, 442, 313, 336; 312/319.1, 223.2;  
361/724, 685

**DESCRIPTION**

FIG. 1 is a perspective view of the storage compartment with hinged face plate for empty computer bay embodying the design of the present invention;

FIG. 2 is a front elevational view thereof;

FIG. 3 is a rear elevational view thereof;

FIG. 4 is a right side elevational view thereof, the left side elevational view being a mirror image thereof;

FIG. 5 is a top plan view thereof;

FIG. 6 is a bottom plan view thereof;

FIG. 7 is a reduced, perspective view showing the storage compartment with hinged face plate being inserted into an empty computer bay; the broken lines depict environmental structure and form no part of the claimed design; and,

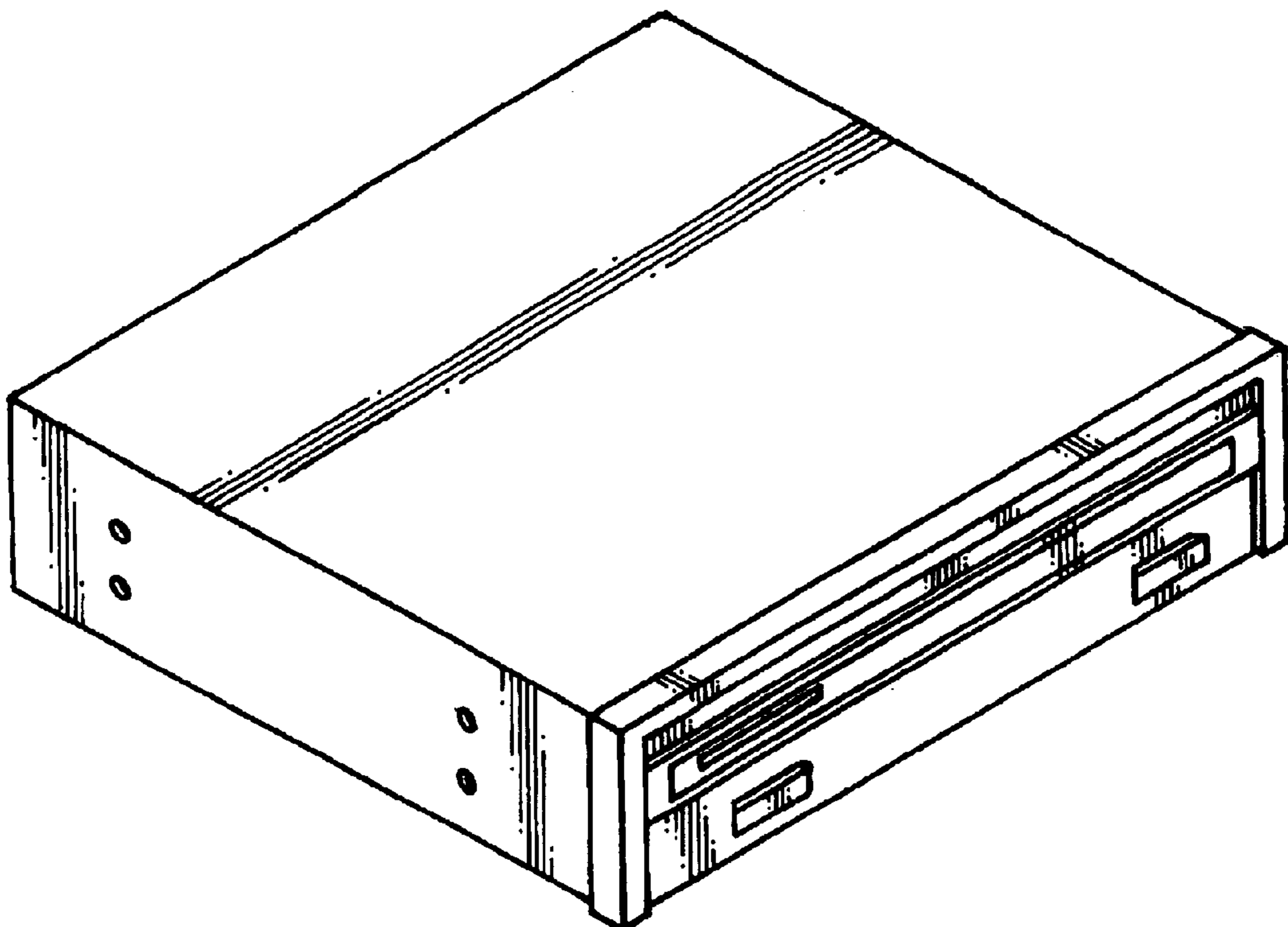
FIG. 8 is a reduced, perspective view of the storage compartment showing the hinged face plate opened to provide access therinto.

(56) **References Cited**

**U.S. PATENT DOCUMENTS**

1,153,761 A	9/1915	Carrill	
2,498,402 A	2/1950	Earle	
4,241,963 A	12/1980	Seidel	
4,712,843 A	12/1987	Castelli et al.	
5,549,375 A	8/1996	Pagliaccio	
D374,216 S	* 10/1996	Paul	..... D14/313
D383,448 S	* 9/1997	Richardson et al.	..... D14/313
5,755,497 A	5/1998	Chang	
D401,229 S	* 11/1998	Roehrs et al.	..... D14/363
5,833,331 A	11/1998	Chang	

**1 Claim, 3 Drawing Sheets**



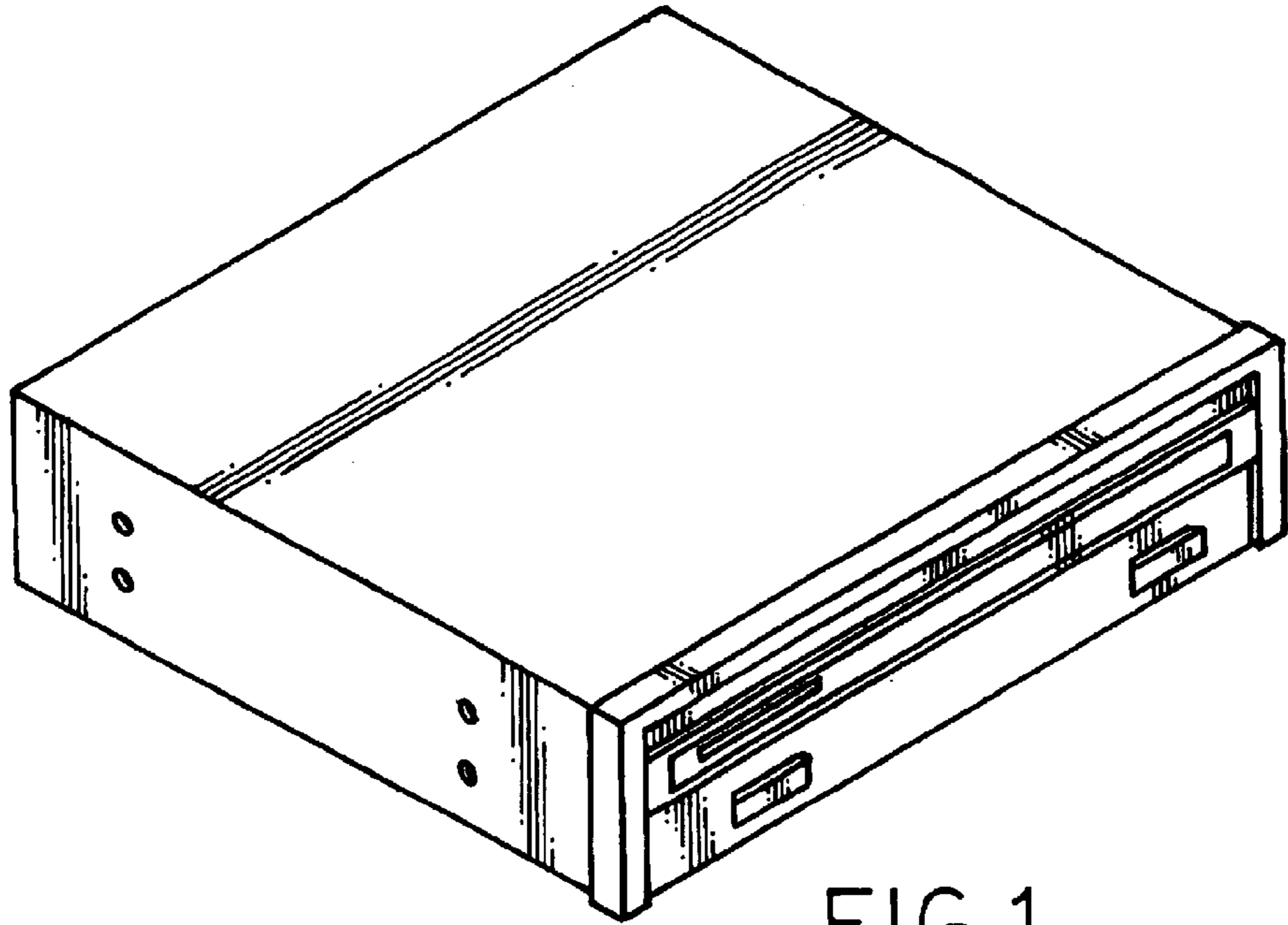


FIG. 1.

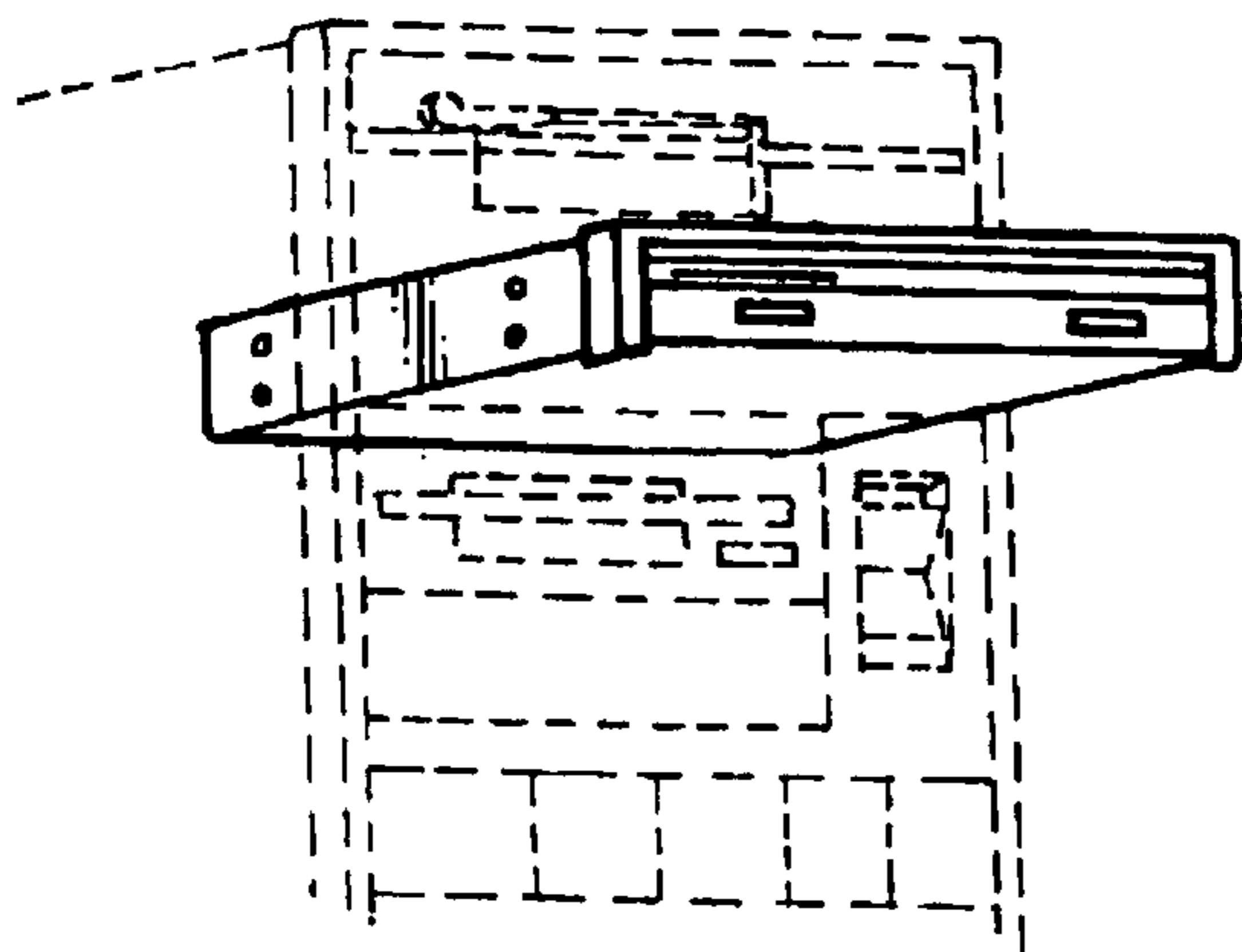


FIG. 7.

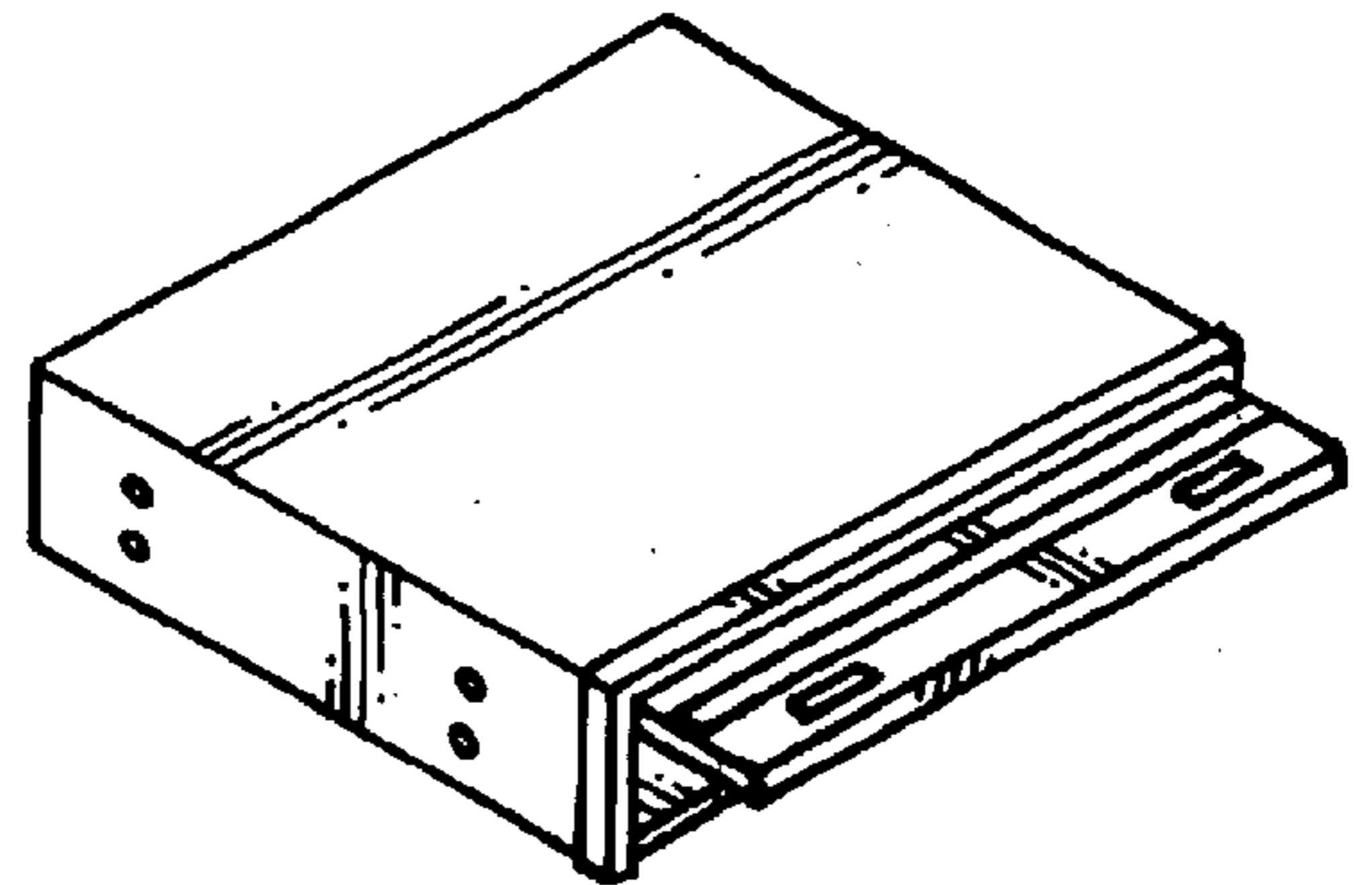


FIG. 8.

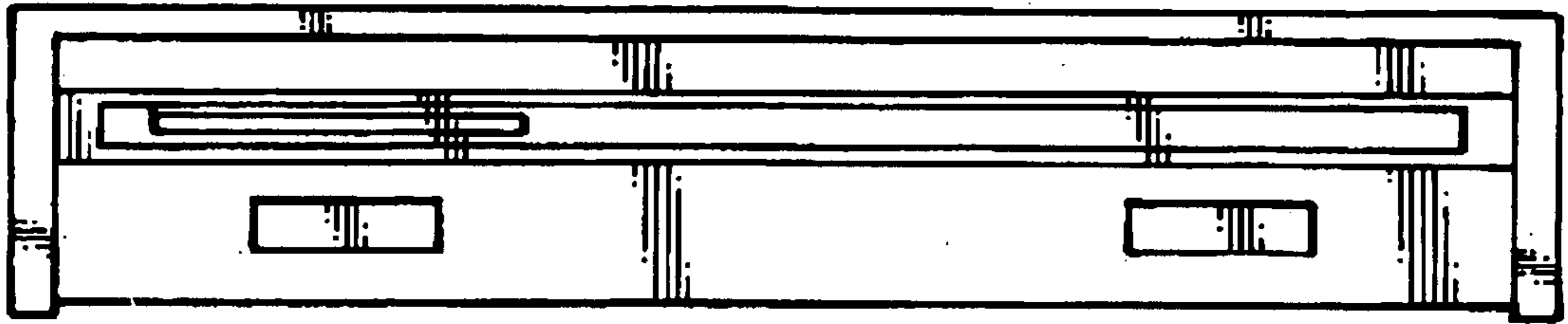


FIG. 2.

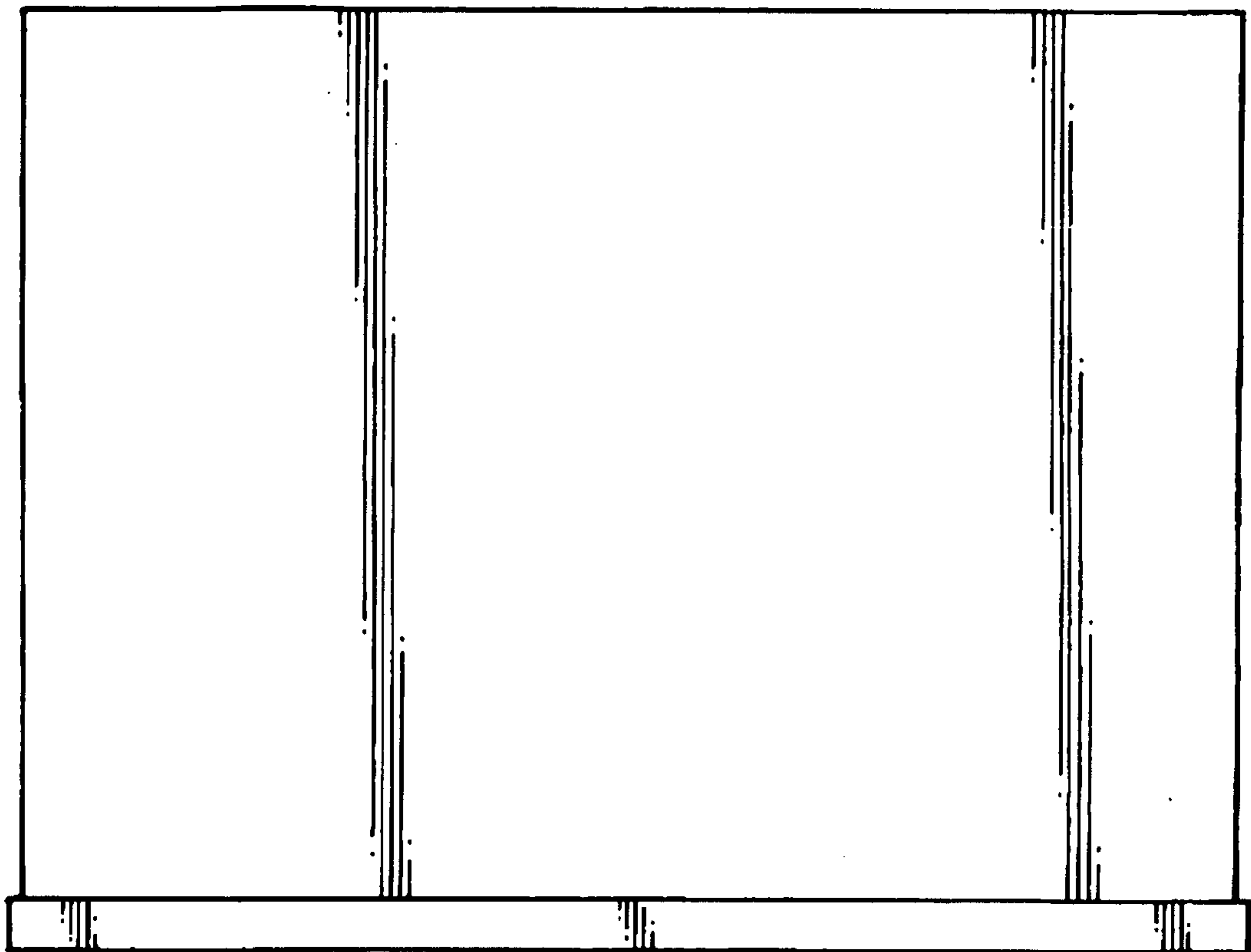


FIG. 5.

FIG. 4.

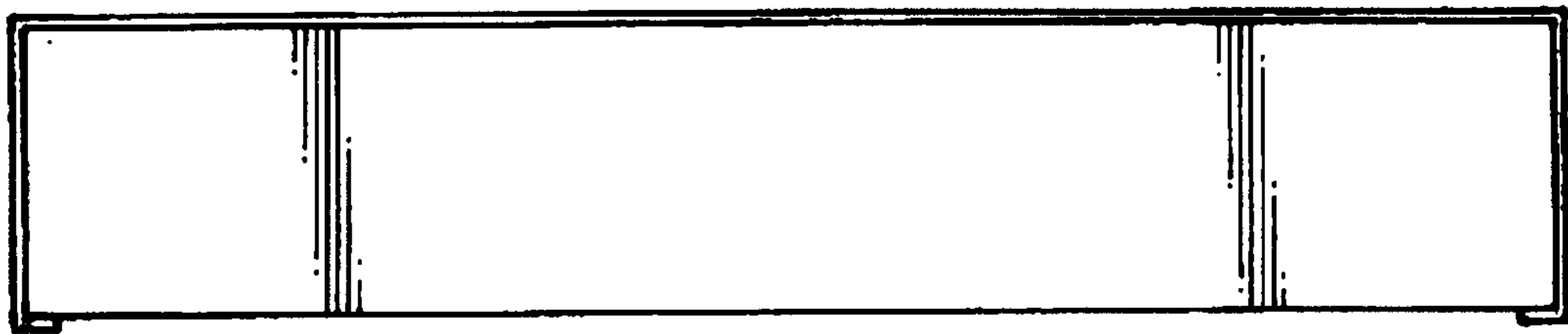
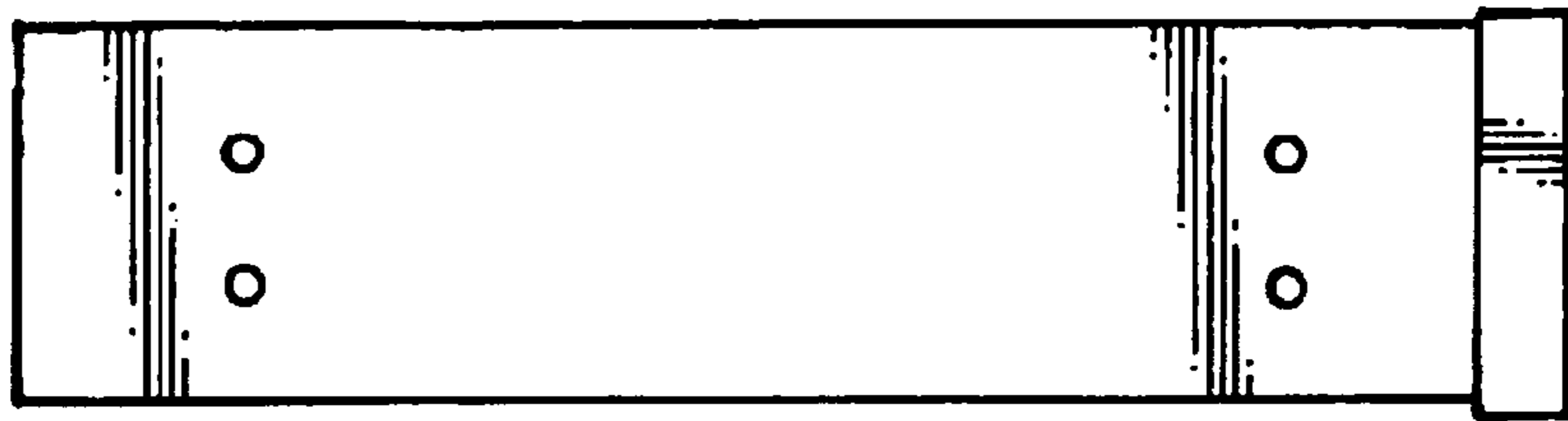


FIG. 3.

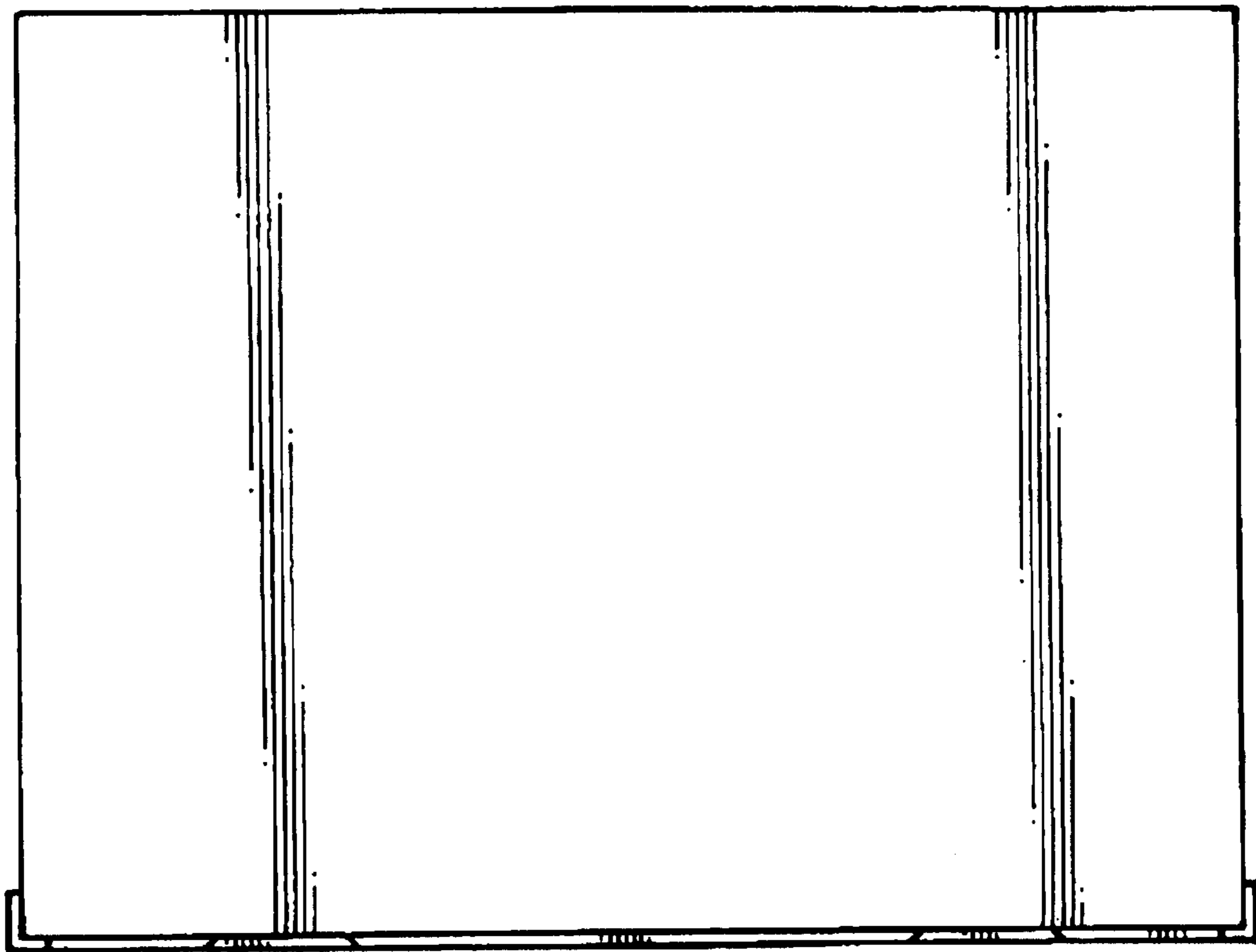


FIG. 6.