



US00D491188S

(12) **United States Design Patent**
Amemiya et al.

(10) **Patent No.:** **US D491,188 S**
(45) **Date of Patent:** **** Jun. 8, 2004**

(54) **MODULE FOR COMPUTER**

(75) Inventors: **Ryoji Amemiya**, Tokyo (JP); **Takashi Sonehara**, Tokyo (JP); **Hideki Hanamura**, Tokyo (JP)

(73) Assignee: **Sony Corporation**, Tokyo (JP)

(**) Term: **14 Years**

(21) Appl. No.: **29/165,052**

(22) Filed: **Aug. 6, 2002**

(51) **LOC (7) Cl.** **14-02**

(52) **U.S. Cl.** **D14/439; D14/434**

(58) **Field of Search** **D14/432-439, D14/348-356; 312/223.2; 361/683, 684, 687, 690, 695, 724-730, 796; 710/100**

(56) **References Cited**

U.S. PATENT DOCUMENTS

- D361,324 S * 8/1995 Rogers D14/434
- D454,130 S * 3/2002 Do et al. D14/433
- D481,393 S * 10/2003 Alo et al. D14/439

OTHER PUBLICATIONS

Web page, "Satellite 6000," <http://www.dynabook.com/pc/catalog/satellit/01122660/hard.html>, 3 sheets, Toshiba (Apr. 2002).

Web page, "IBM," http://www.-6.ibm.com/jp/shop/tpr3031_vp.html, 3 sheets, IBM (Apr. 2002).

* cited by examiner

Primary Examiner—**Kay H. Chin**

(74) *Attorney, Agent, or Firm*—**Rader, Fishman & Grauer PLLC**

(57) **CLAIM**

The ornamental design for a module for computer, as shown.

DESCRIPTION

FIG. 1 is a perspective view of a module for computer showing our new design;

FIG. 2 is a front elevational view thereof;

FIG. 3 is a rear elevational view thereof;

FIG. 4 is a left side elevational view thereof;

FIG. 5 is a right side elevational view thereof;

FIG. 6 is a top plan view thereof;

FIG. 7 is a bottom plan view thereof; and,

FIG. 8 is a reference perspective view thereof in the open position.

Portions in broken lines and FIG. 8 are for illustrative purposes only and form no part of the claimed design.

1 Claim, 5 Drawing Sheets

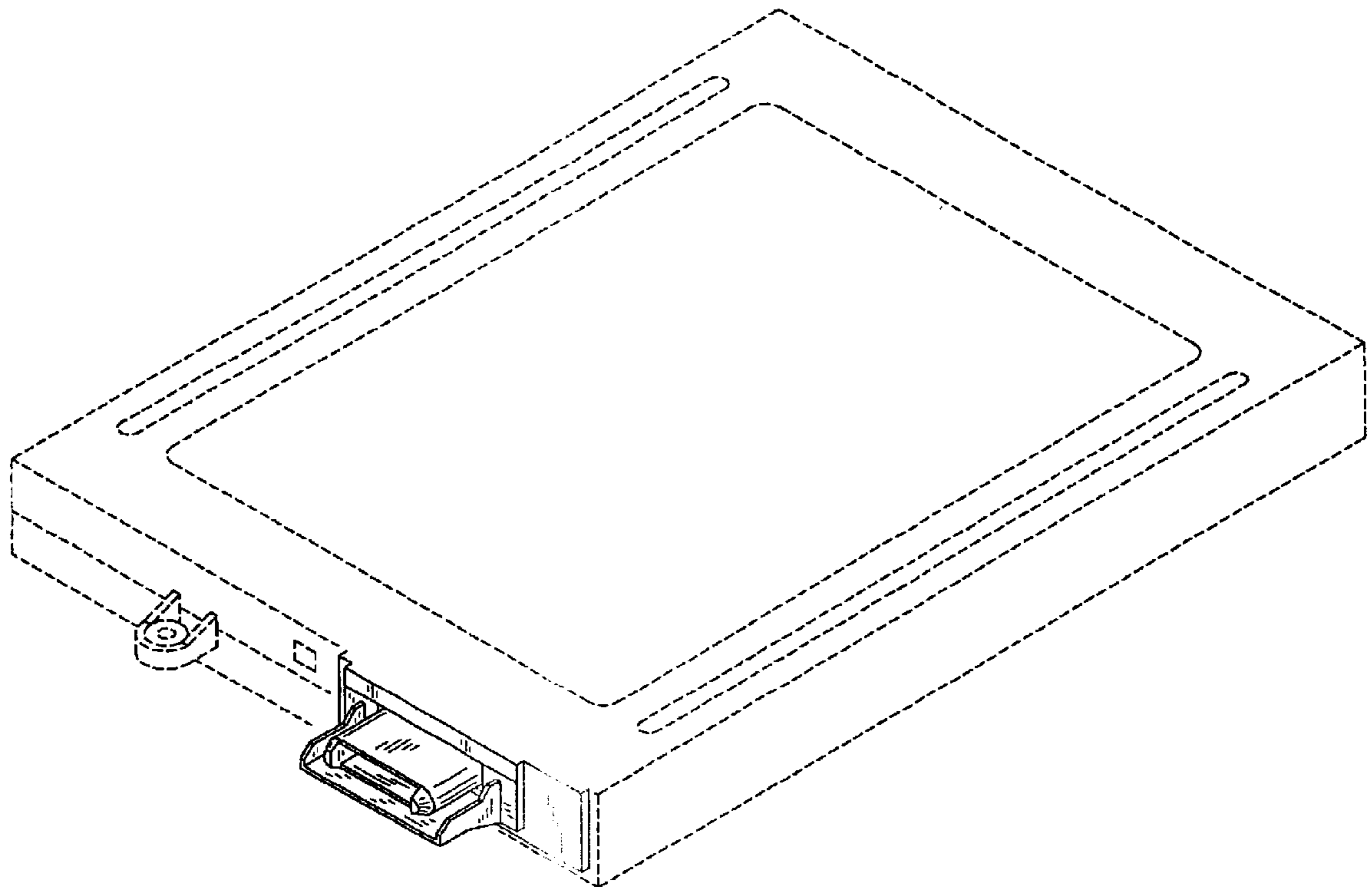


FIG. 1

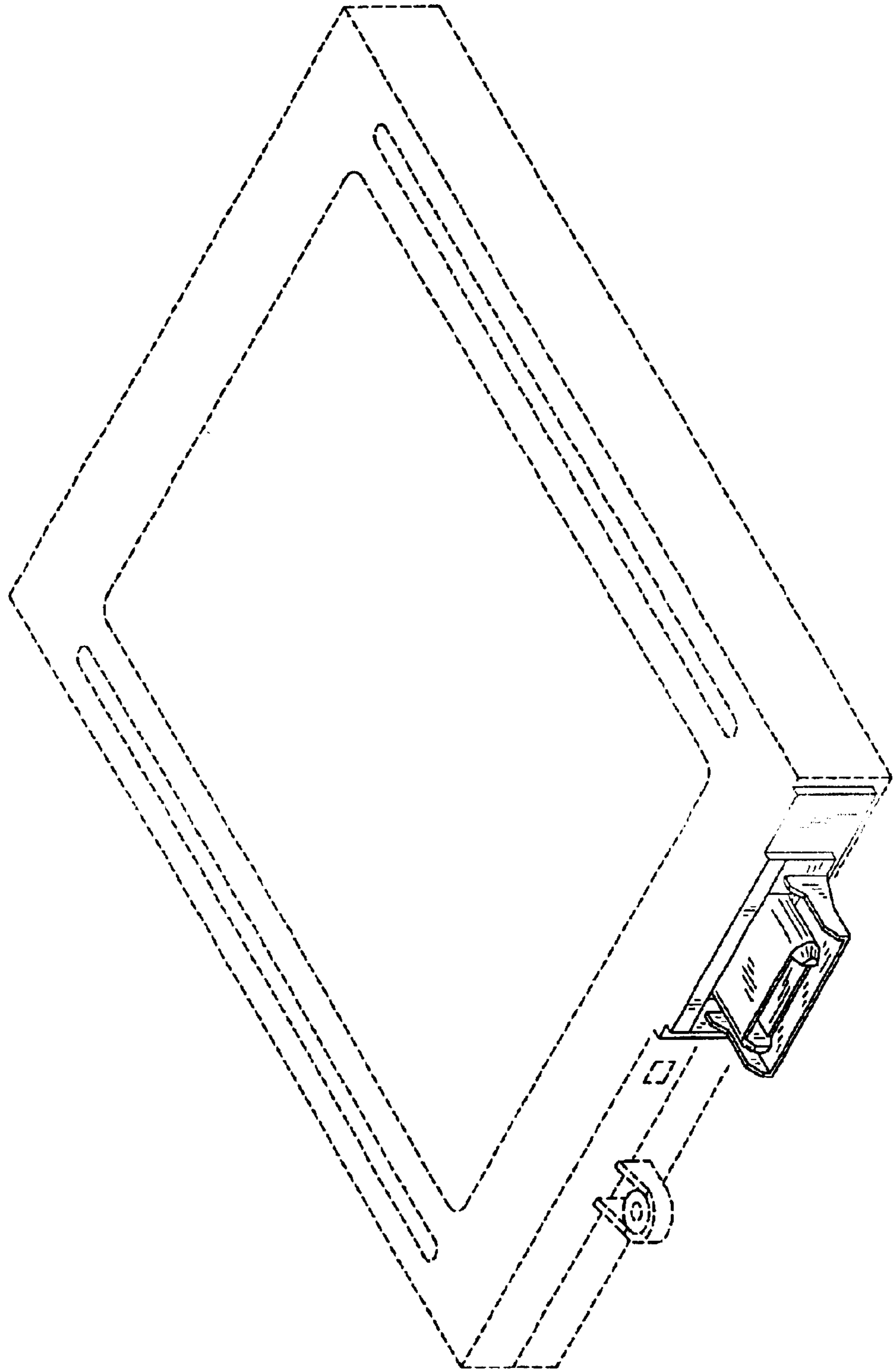


FIG. 2

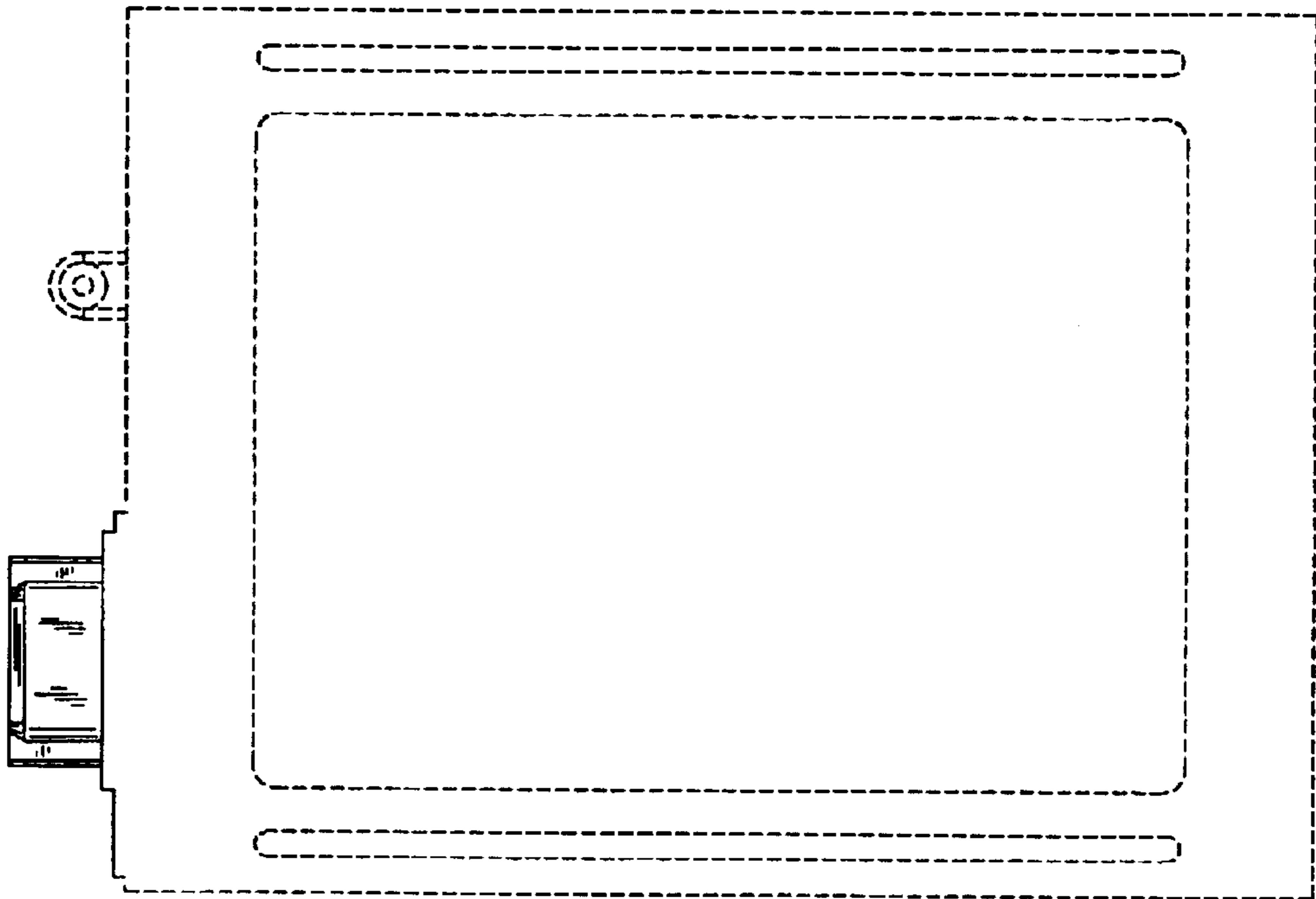


FIG. 3

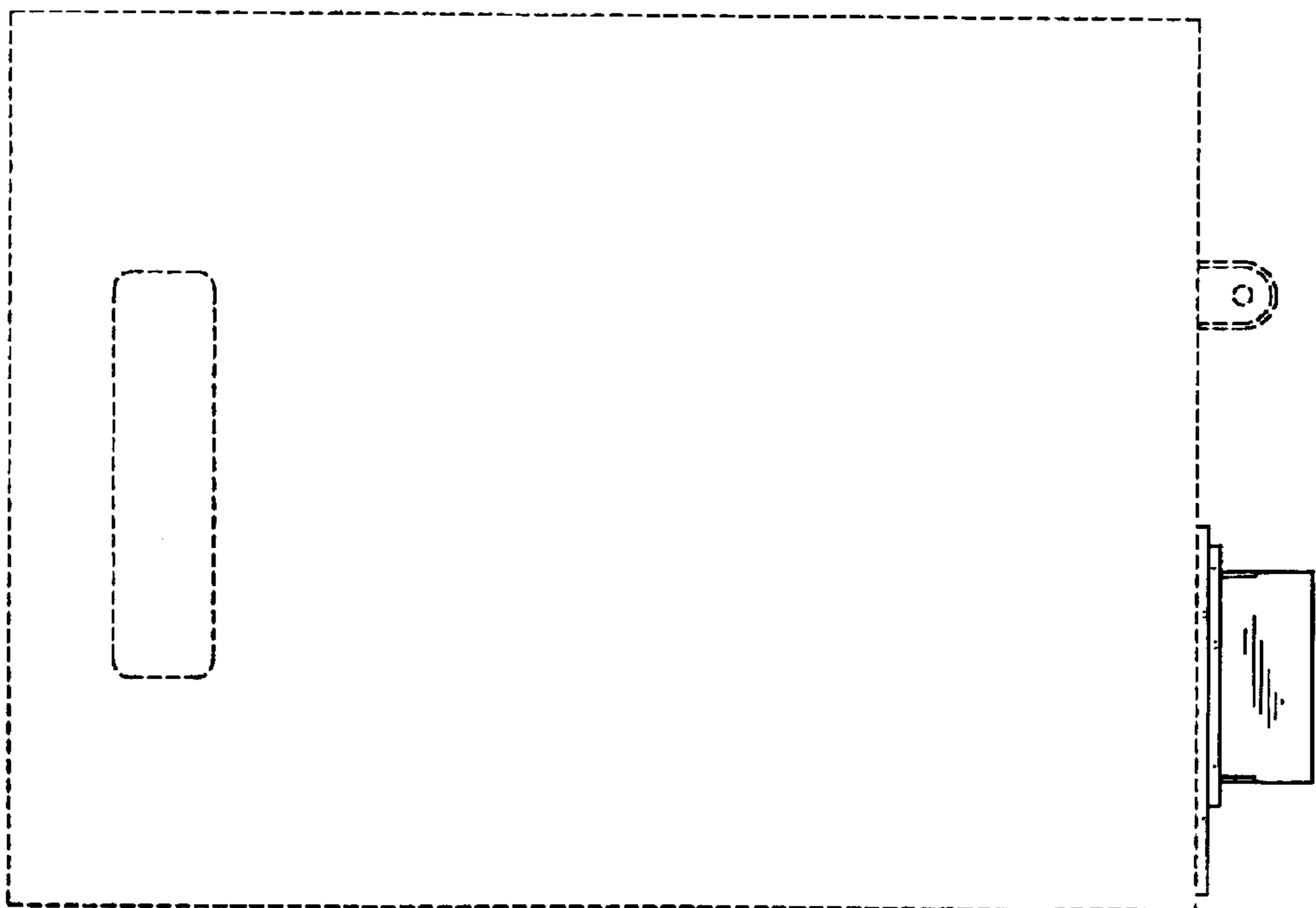


FIG. 4



FIG. 7

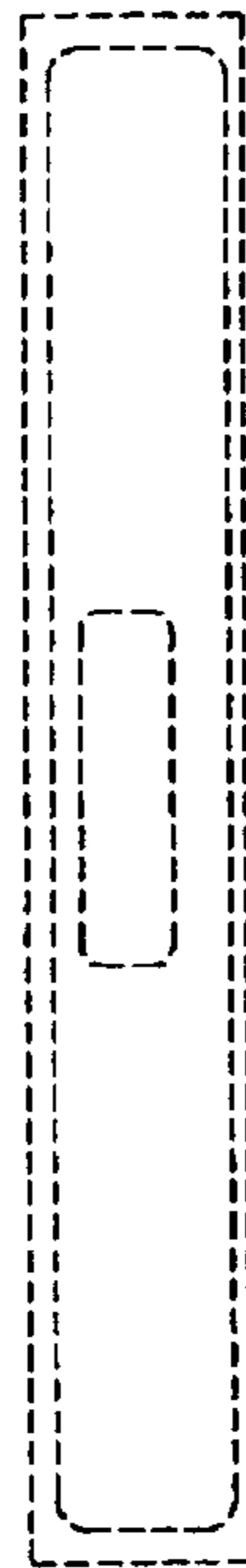


FIG. 5



FIG. 6



FIG. 8

