



US00D491171S

(12) **United States Design Patent**
Hylén

(10) **Patent No.:** **US D491,171 S**

(45) **Date of Patent:** **** Jun. 8, 2004**

(54) **ANTENNA DEVICE**

6,407,709 B1 * 6/2002 Hanshew 343/872
6,486,406 B1 * 11/2002 Greco et al. 174/138 R

(75) **Inventor:** **Carl-Magnus Hylén, Malmö (SE)**

* cited by examiner

(73) **Assignee:** **GigaAnt AB, Lund (SE)**

Primary Examiner—Louis S. Zarfes

(**) **Term:** **14 Years**

Assistant Examiner—Deanne Levy

(21) **Appl. No.:** **29/167,859**

(74) *Attorney, Agent, or Firm*—Smith, Gambrell & Russell, LLP

(22) **Filed:** **Sep. 24, 2002**

(57) **CLAIM**

(51) **LOC (7) Cl.** **14-03**

The ornamental design for an antenna device, as shown.

(52) **U.S. Cl.** **D14/238**

DESCRIPTION

(58) **Field of Search** 174/138 A, 152 A,
174/153 A, 138 G, 907, 878, 888, 890-892,
872; 248/200, 222.11, 222.12, 229.1, 229.15,
229.16, 228.7, 231.81, 316.1, 316.7, 346.03,
913, 560, 74.2, 74.4, 541, 534, 539, 511

FIG. 1 is a top perspective view of an antenna device of the present invention;

FIG. 2 shows a bottom perspective view thereof;

FIG. 3 is a top plan view thereof;

FIG. 4 is a bottom plan view thereof;

FIG. 5 is a front elevational view thereof;

FIG. 6 is a rear elevational view thereof;

FIG. 7 is a left side elevational view thereof; and,

FIG. 8 is a right side elevational view thereof.

(56) **References Cited**

U.S. PATENT DOCUMENTS

4,609,119 A * 9/1986 Richter, Sr. 248/906
D387,064 S * 12/1997 Heine D14/238
5,996,264 A * 12/1999 Nagel 248/16.7

1 Claim, 4 Drawing Sheets

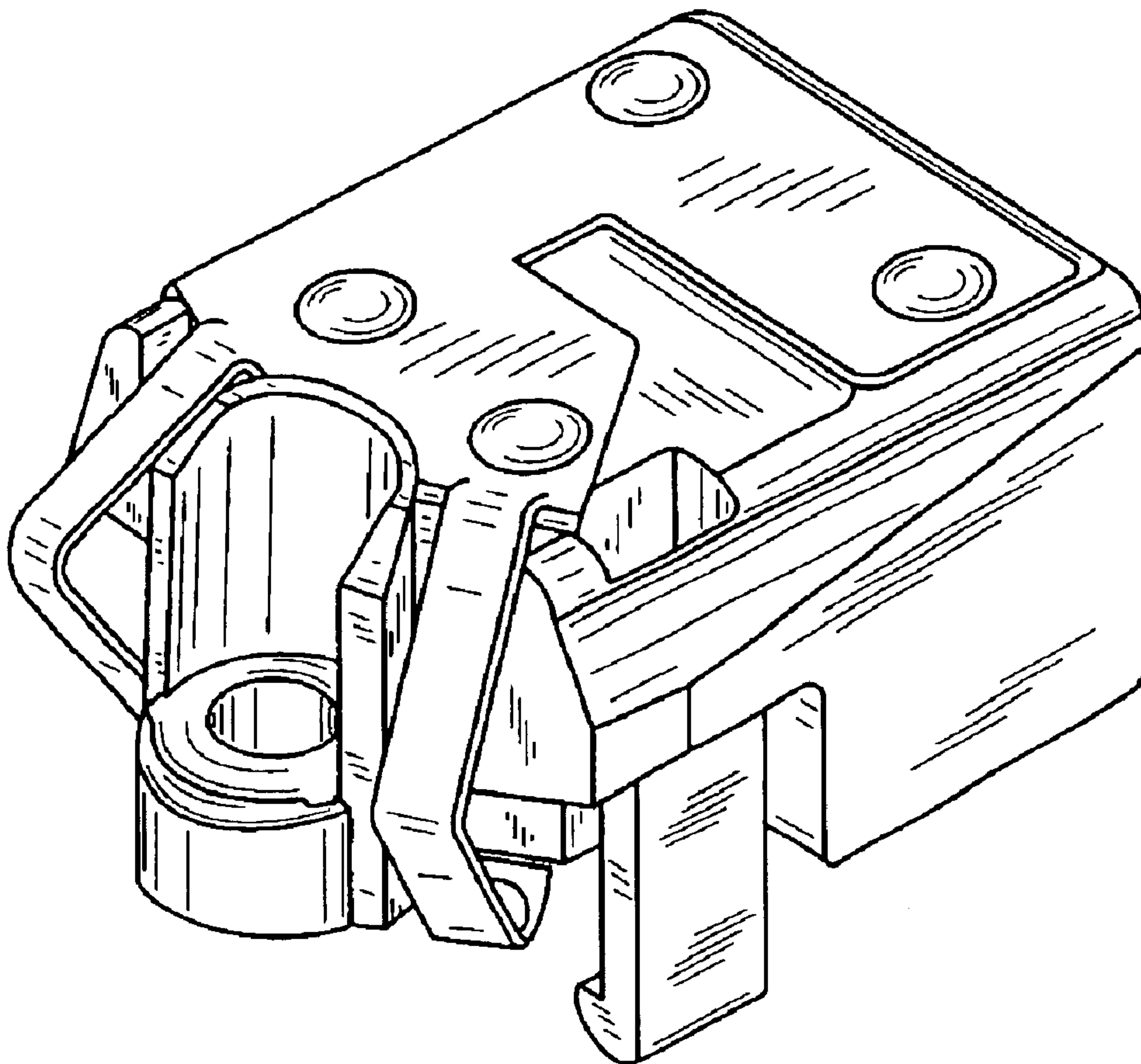


FIG. 1

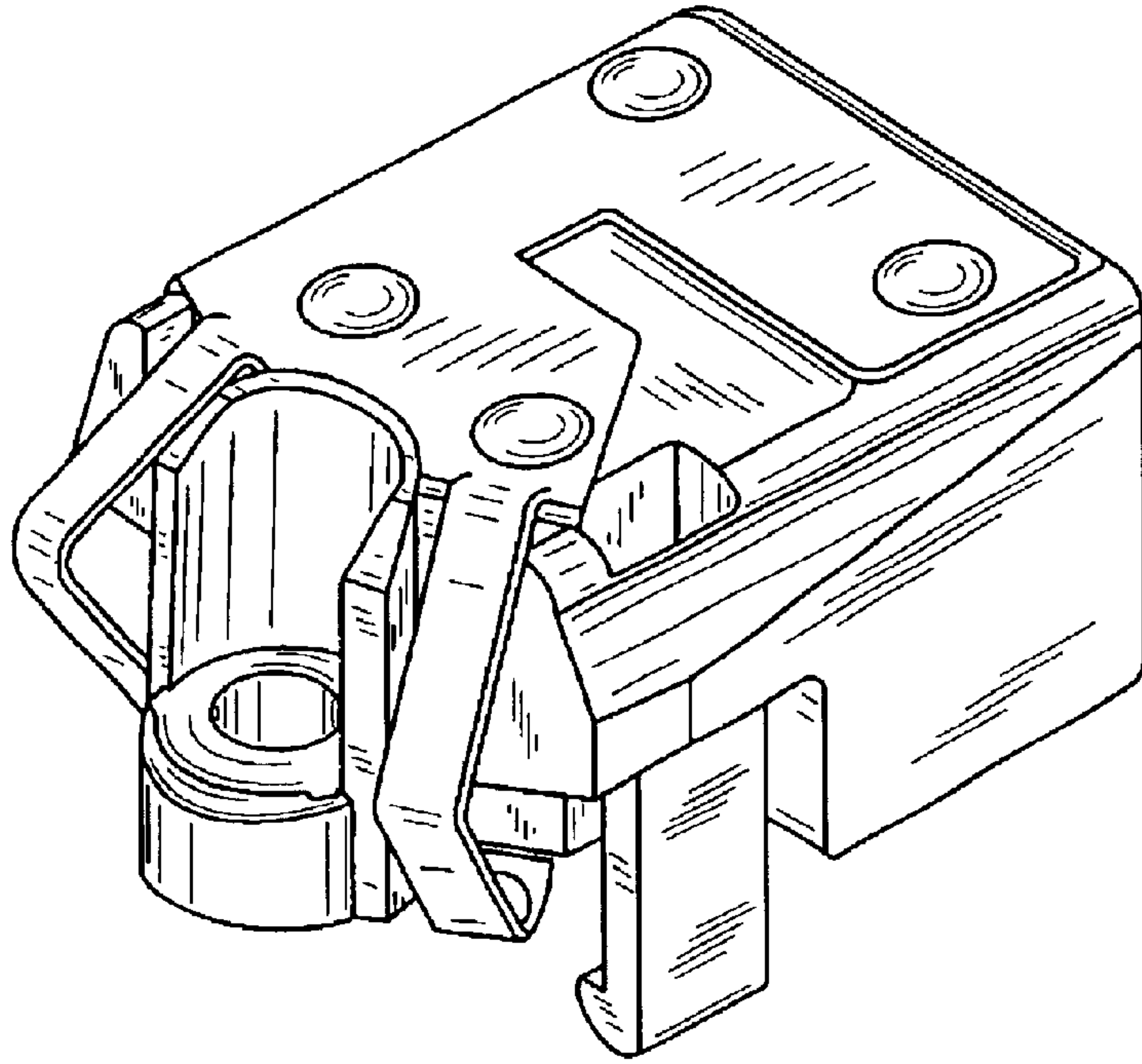


FIG. 2

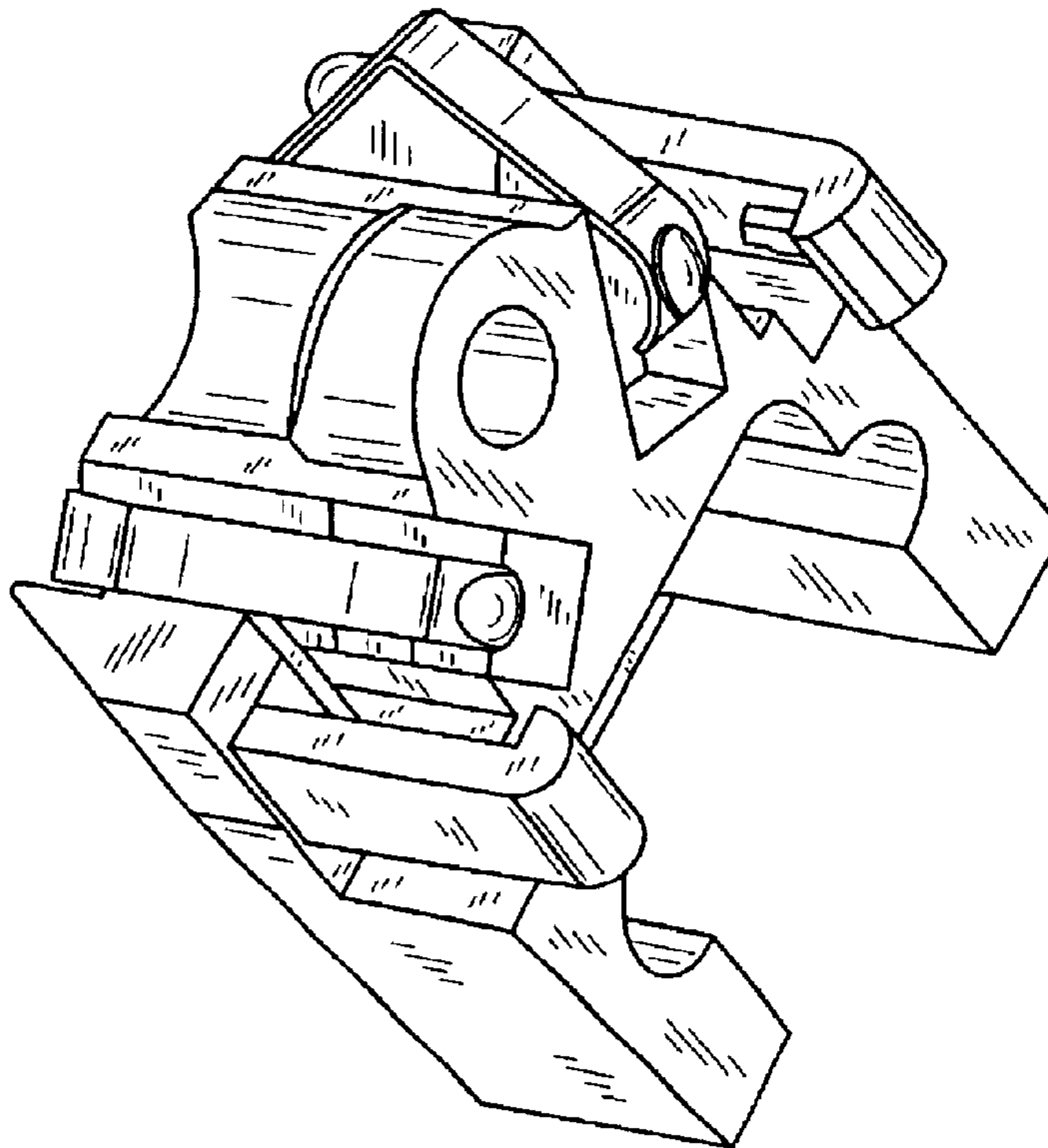


FIG. 3

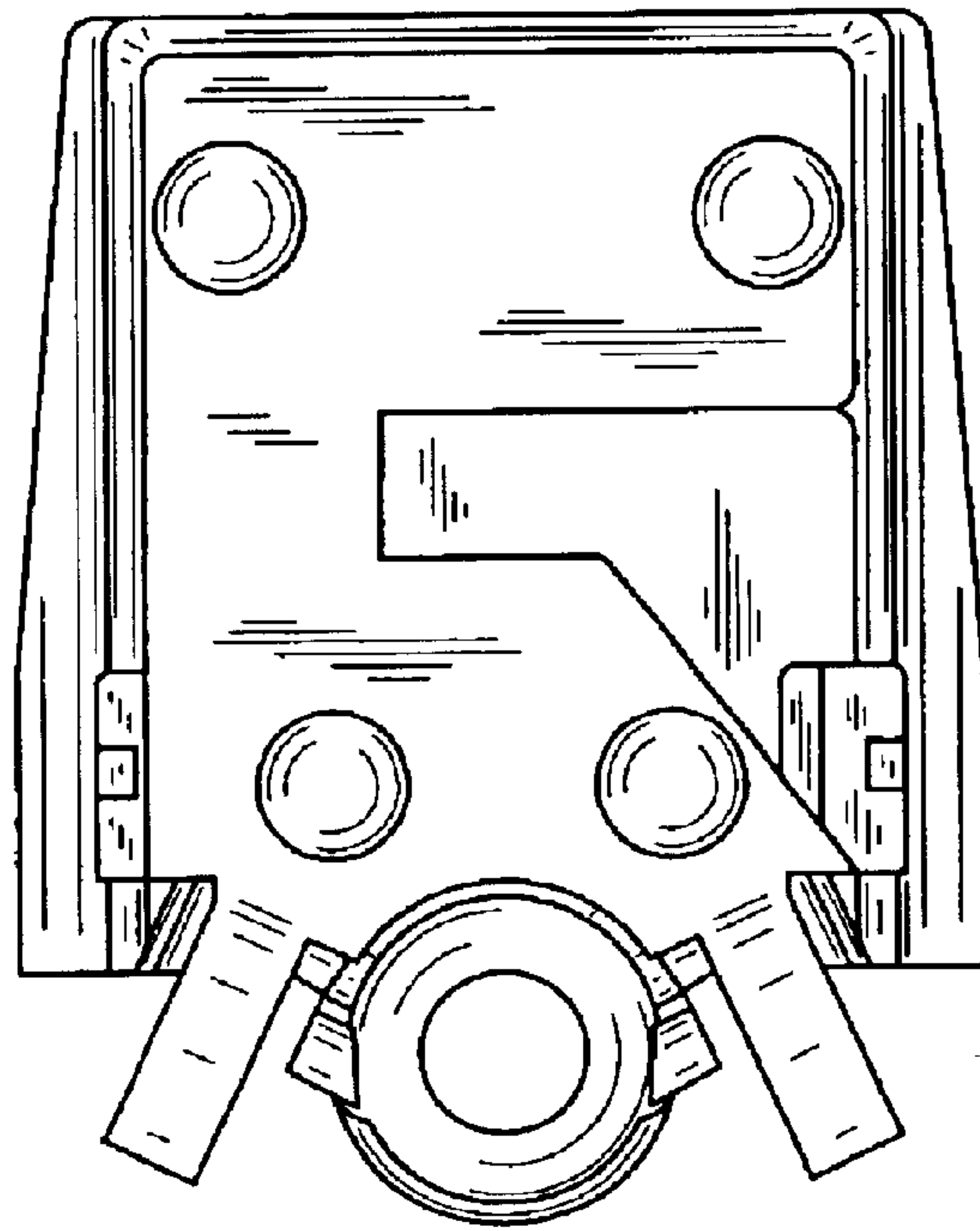


FIG. 4

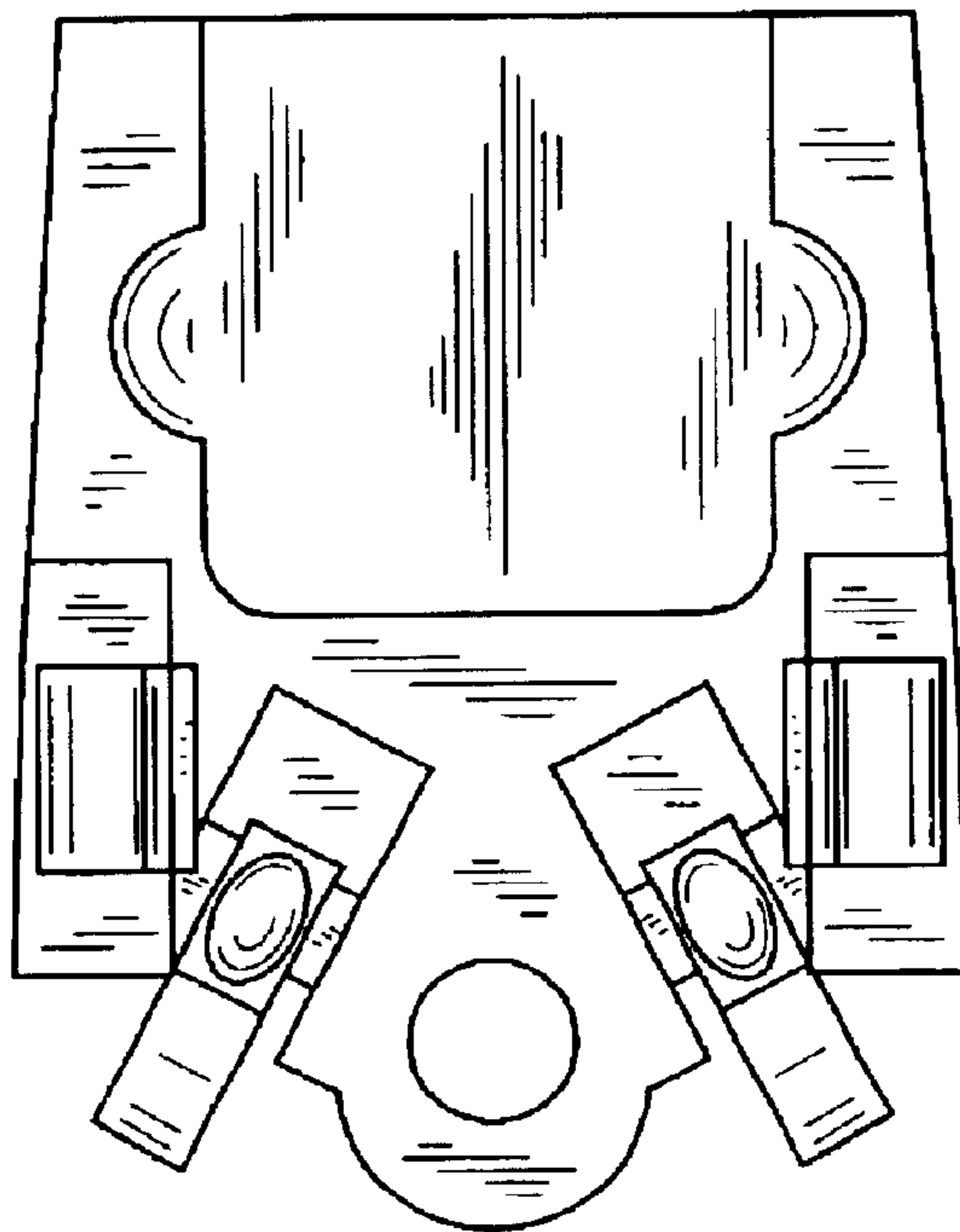


FIG. 5

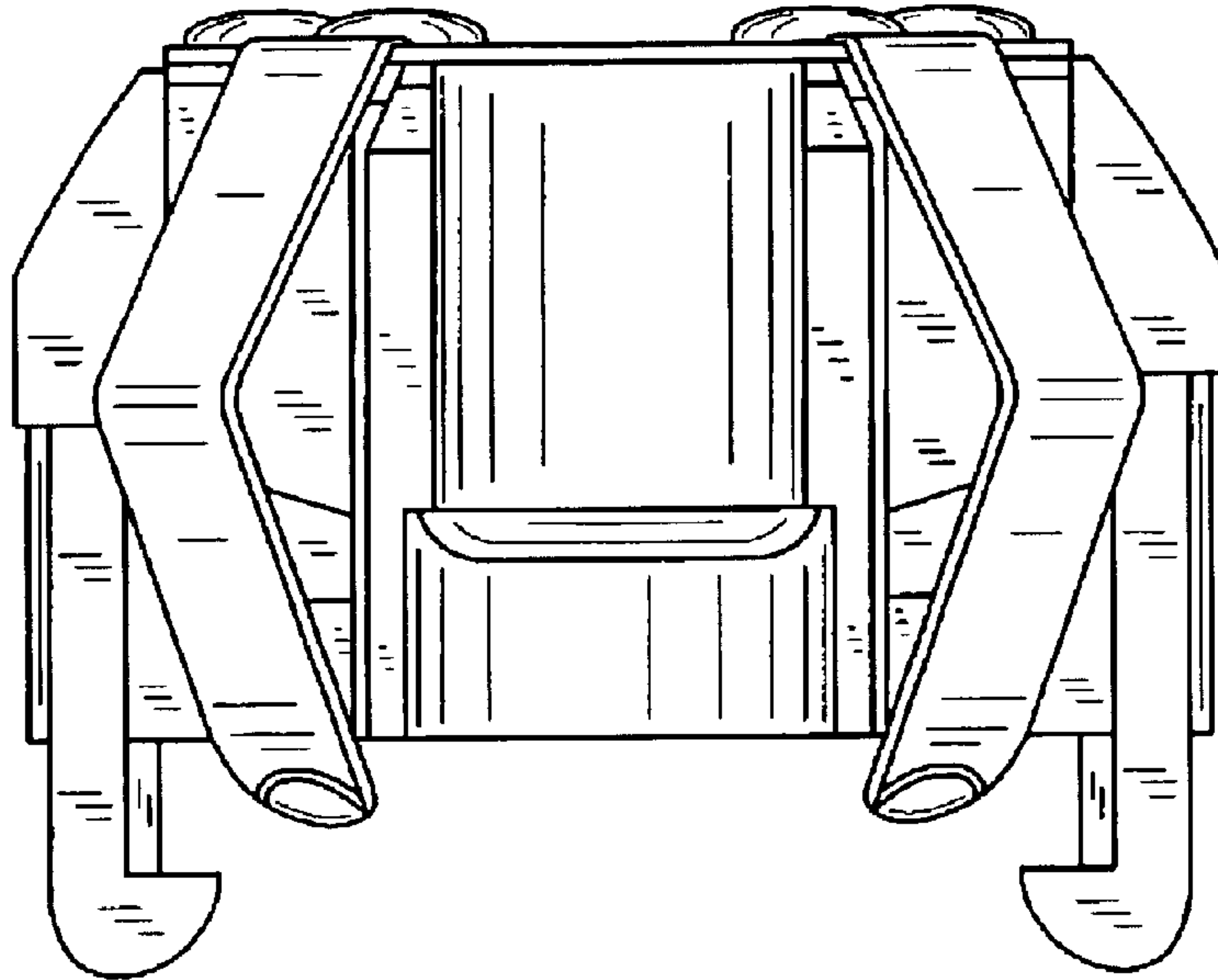


FIG. 6

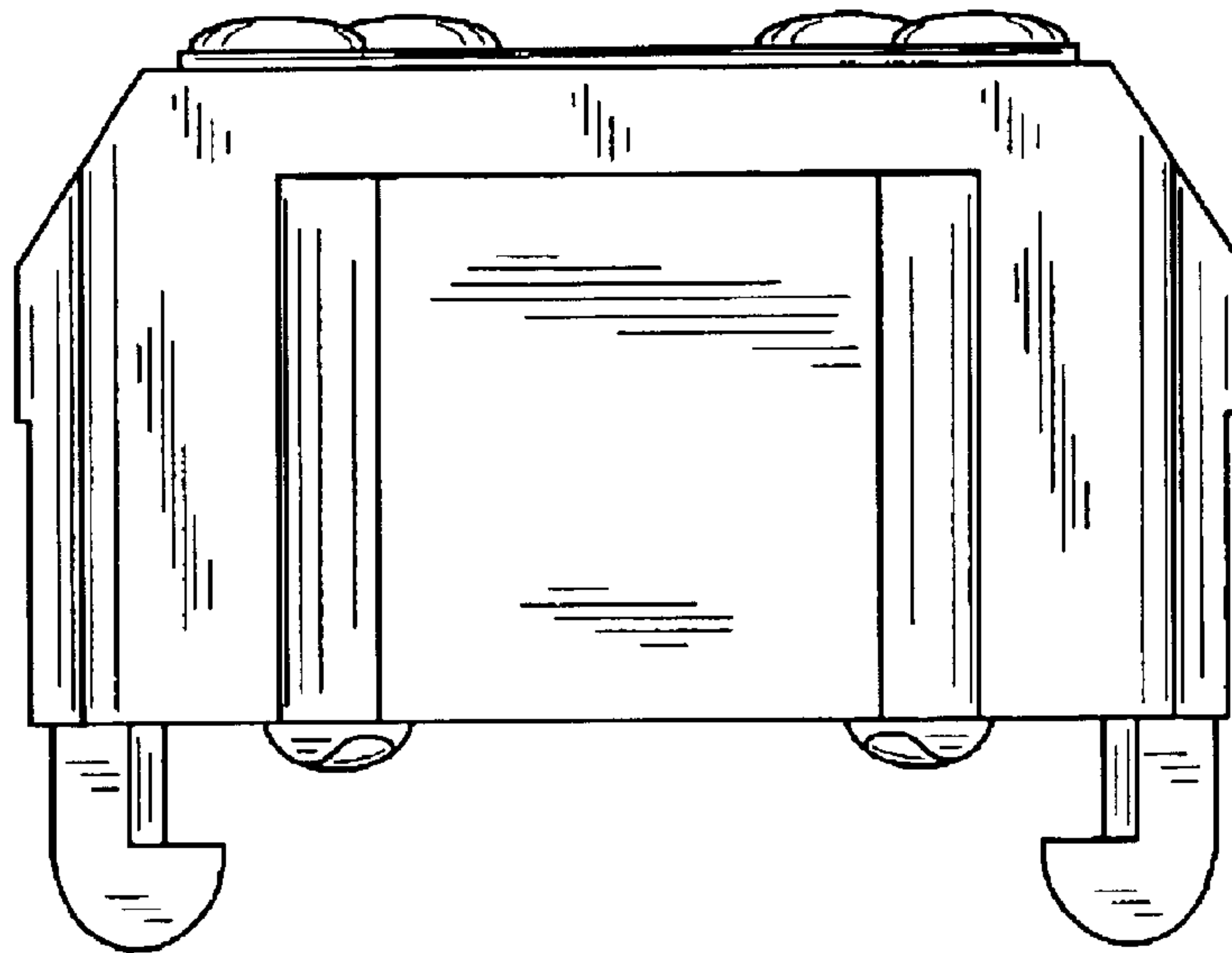


FIG. 7

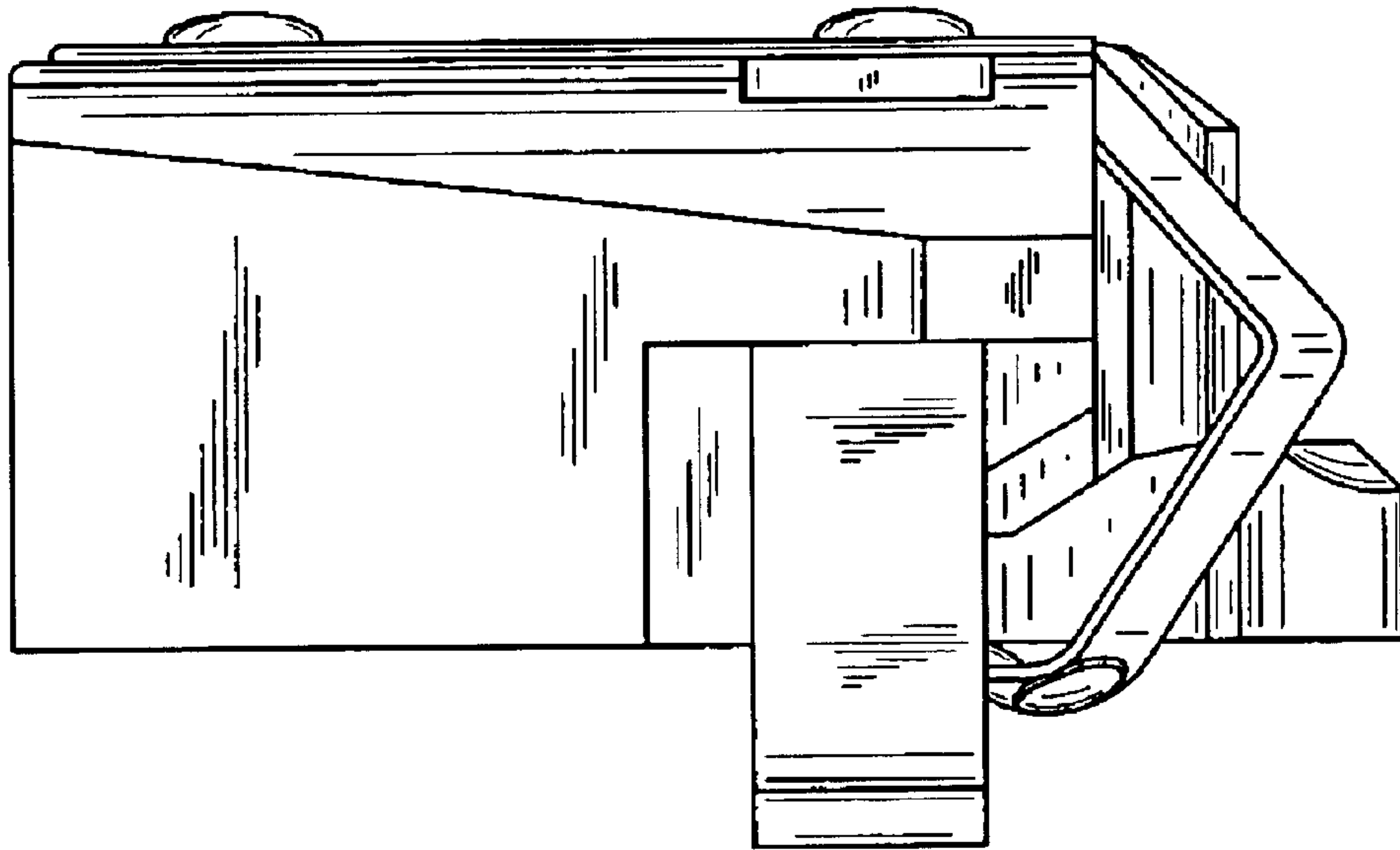


FIG. 8

