



US00D491167S

(12) **United States Design Patent**  
**Yokoyama**

(10) **Patent No.:** **US D491,167 S**

(45) **Date of Patent:** **\*\* Jun. 8, 2004**

(54) **SPEAKER BOX**

D480,706 S \* 10/2003 Bolton et al. .... D14/214

(75) Inventor: **Hiroaki Yokoyama**, Tokyo (JP)

**OTHER PUBLICATIONS**

(73) Assignee: **Sony Corporation**, Tokyo (JP)

Web page "Sony Style, S2 Sports™ Boombox ZS-X1",  
1sheet, Sony.

(\*\*) Term: **14 Years**

\* cited by examiner

(21) Appl. No.: **29/190,092**

*Primary Examiner*—Nanda Bondade

(22) Filed: **Sep. 16, 2003**

(74) *Attorney, Agent, or Firm*—Rader, Fishman & Grauer  
PLLC

(51) **LOC (7) Cl.** ..... **14-01**

(57) **CLAIM**

(52) **U.S. Cl.** ..... **D14/215; D14/216**

The ornamental design for a speaker box, as shown.

(58) **Field of Search** ..... D14/204, 207,  
D14/209–216, 356; 181/143–144, 147–148,  
150, 157, 198–199, 151, 153; 381/300–302,  
306, 333, 345, 361–364, 386–388

**DESCRIPTION**

(56) **References Cited**

**U.S. PATENT DOCUMENTS**

4,942,939	A	*	7/1990	Harrison	.....	181/156
D359,285	S	*	6/1995	Niblett	.....	D14/170
D442,943	S	*	5/2001	Chang	.....	D14/215
D475,360	S		6/2003	Yoneda et al.		
D475,361	S		6/2003	Yoneda et al.		

FIG. 1 is a perspective view of a speaker box showing my  
new design;  
FIG. 2 is a front elevational view thereof;  
FIG. 3 is a rear elevational view thereof;  
FIG. 4 is a left side elevational view thereof;  
FIG. 5 is a right side elevational view thereof;  
FIG. 6 is a top plan view thereof; and,  
FIG. 7 is a bottom plan view thereof.

**1 Claim, 4 Drawing Sheets**

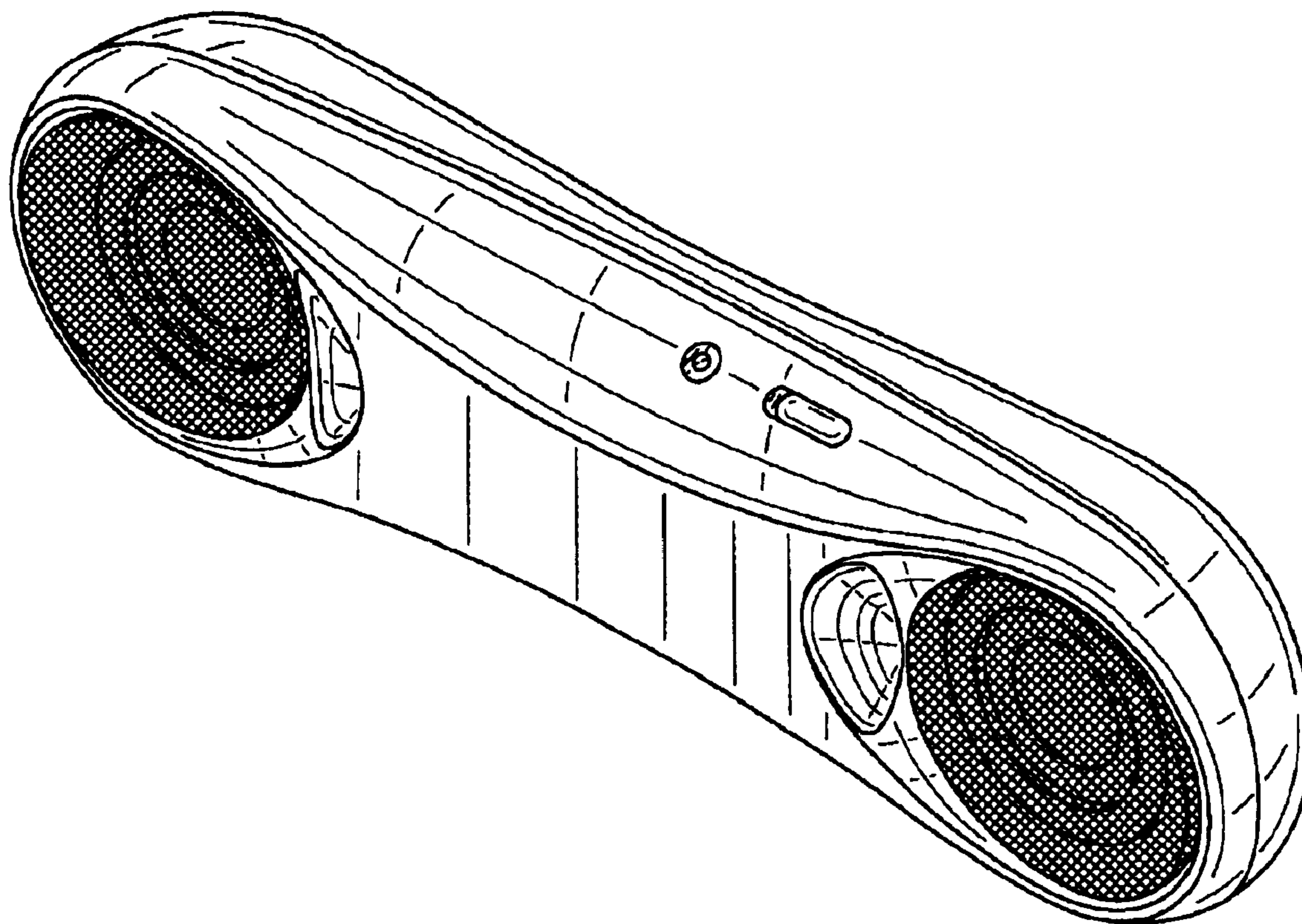


FIG. 1

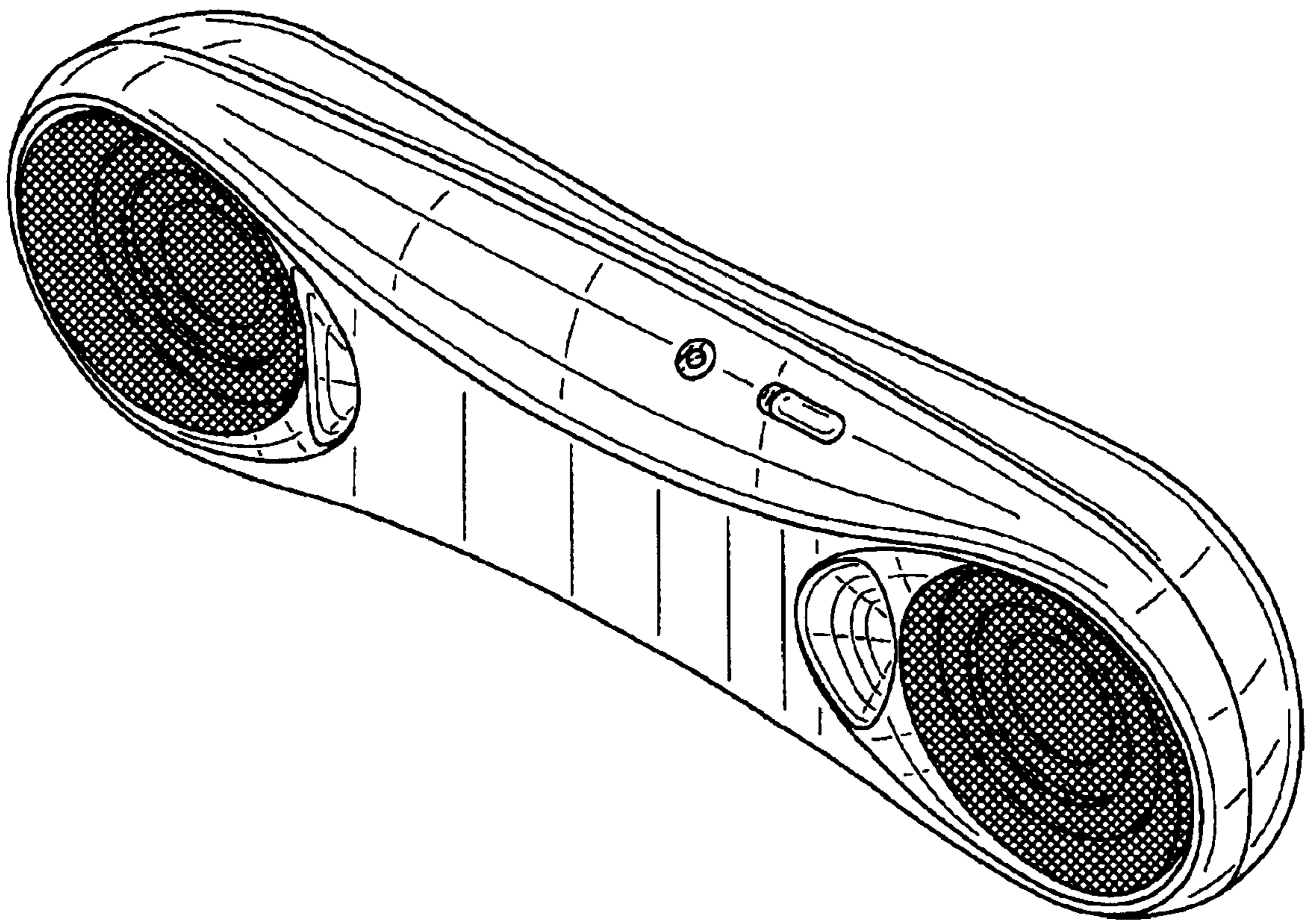


FIG.2

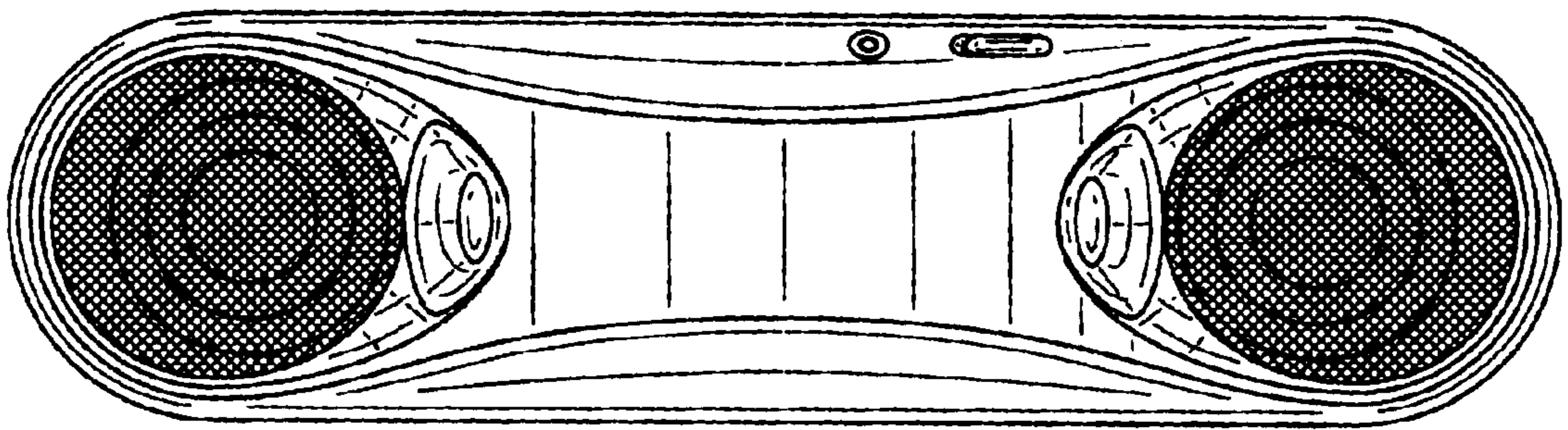


FIG.3

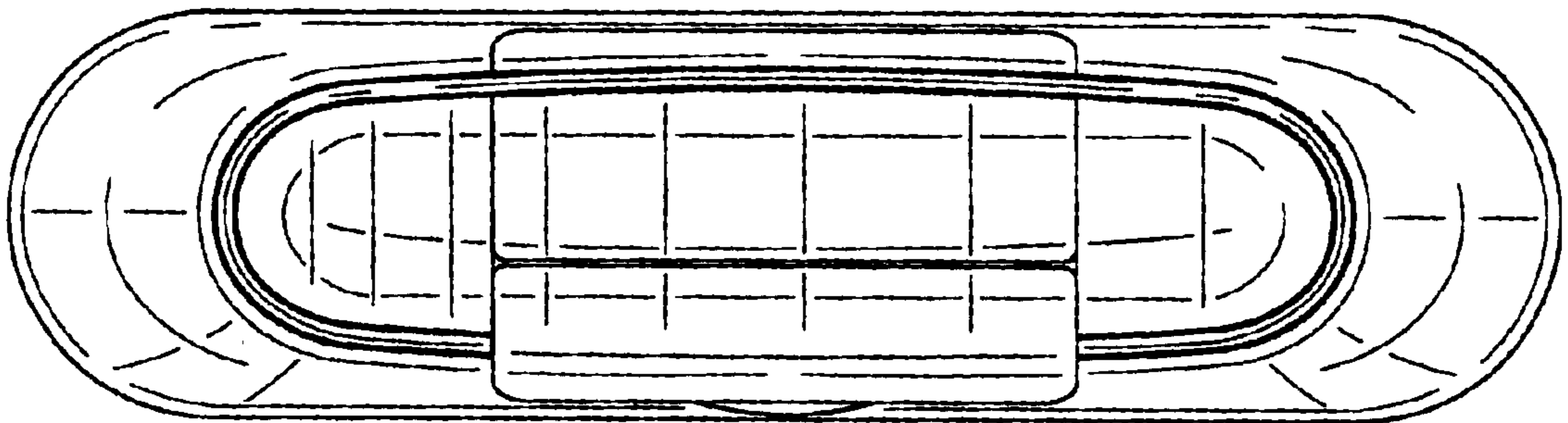


FIG.4

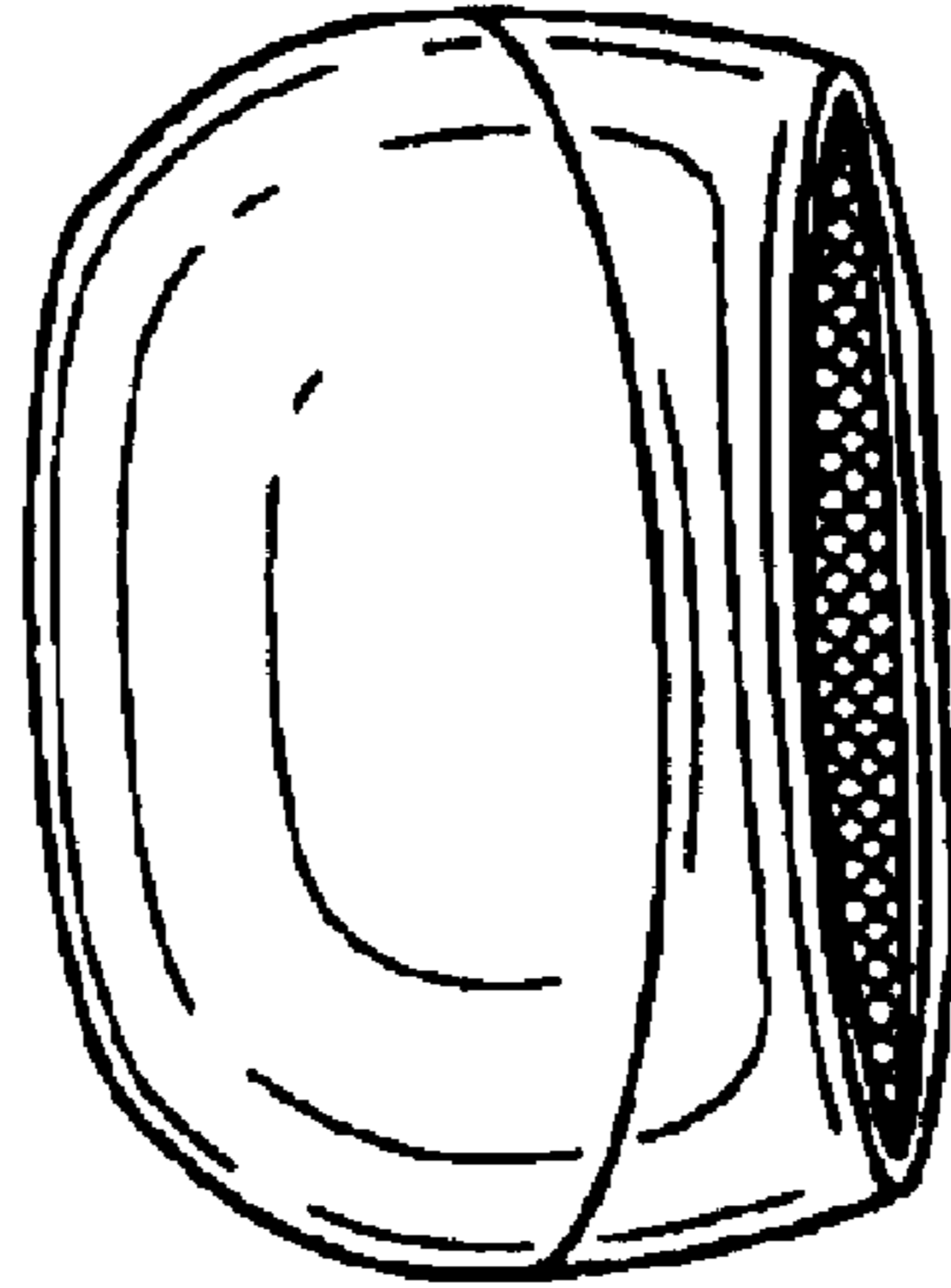


FIG.5

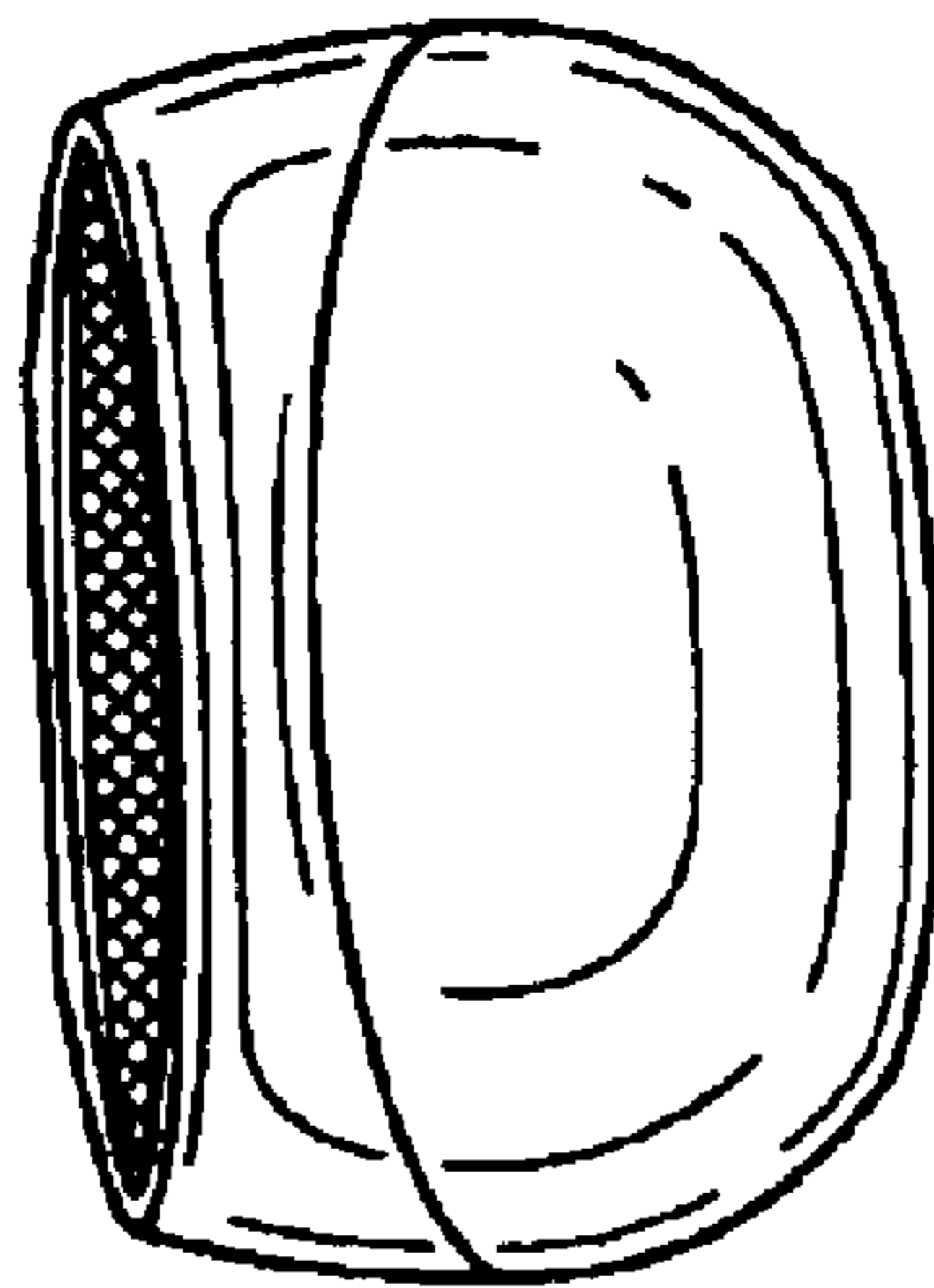


FIG.6

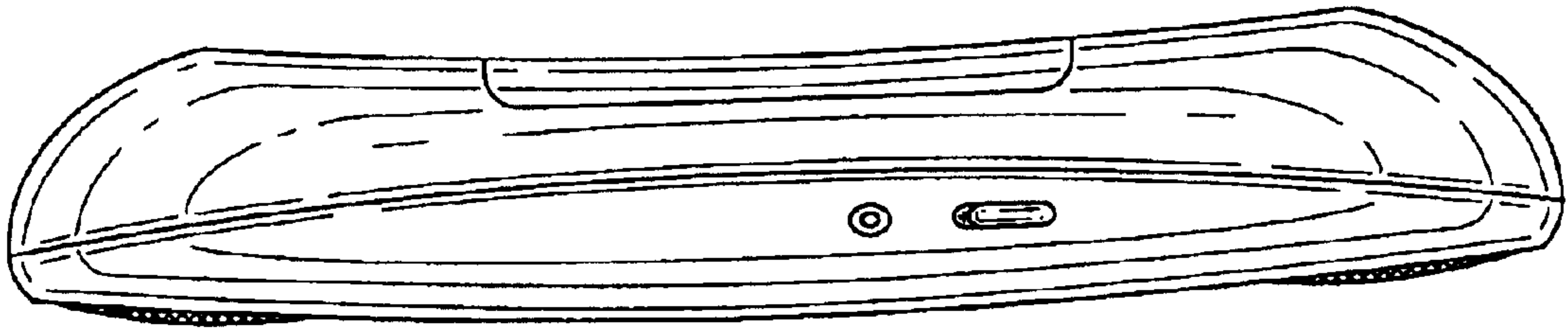


FIG.7

