



US00D491161S

(12) **United States Design Patent**  
**Tang**

(10) **Patent No.:** **US D491,161 S**

(45) **Date of Patent:** **\*\* Jun. 8, 2004**

(54) **RADIO**

(75) Inventor: **Lai Chun Tang**, Kowloon (HK)

(73) Assignee: **Sweda Limited**, Kowloon (HK)

(\*\*) Term: **14 Years**

(21) Appl. No.: **29/185,023**

(22) Filed: **Jun. 19, 2003**

(51) **LOC (7) Cl.** ..... **14-03**

(52) **U.S. Cl.** ..... **D14/188**

(58) **Field of Search** ..... D14/168, 170,  
D14/171, 188, 189, 193-198, 299; 455/344,  
347, 351

(56) **References Cited**

**U.S. PATENT DOCUMENTS**

D301,846 S	*	6/1989	Beyer	.....	D14/163
D304,191 S	*	10/1989	Sekine	.....	D14/192
D316,096 S	*	4/1991	Nagai et al.	.....	D14/196
D348,883 S	*	7/1994	Peersmann	.....	D14/188
D379,627 S	*	6/1997	Takahashi	.....	D14/171

D398,605 S	*	9/1998	Murray et al.	.....	D14/137
D418,137 S	*	12/1999	Zeitman	.....	D14/194
6,127,933 A	*	10/2000	Ohmura et al.	.....	340/636.1
D470,120 S	*	2/2003	Chan	.....	D14/194
D481,374 S	*	10/2003	Lee	.....	D14/188

\* cited by examiner

*Primary Examiner*—Prabhakar Deshmukh

(74) *Attorney, Agent, or Firm*—Alix, Yale & Ristas, LLP

(57) **CLAIM**

The ornamental design for radio, as shown and described.

**DESCRIPTION**

FIG. 1 is a front perspective view of the radio showing my new design;

FIG. 2 is a front view of the radio of FIG. 1;

FIG. 3 is a left side view of the radio of FIG. 1;

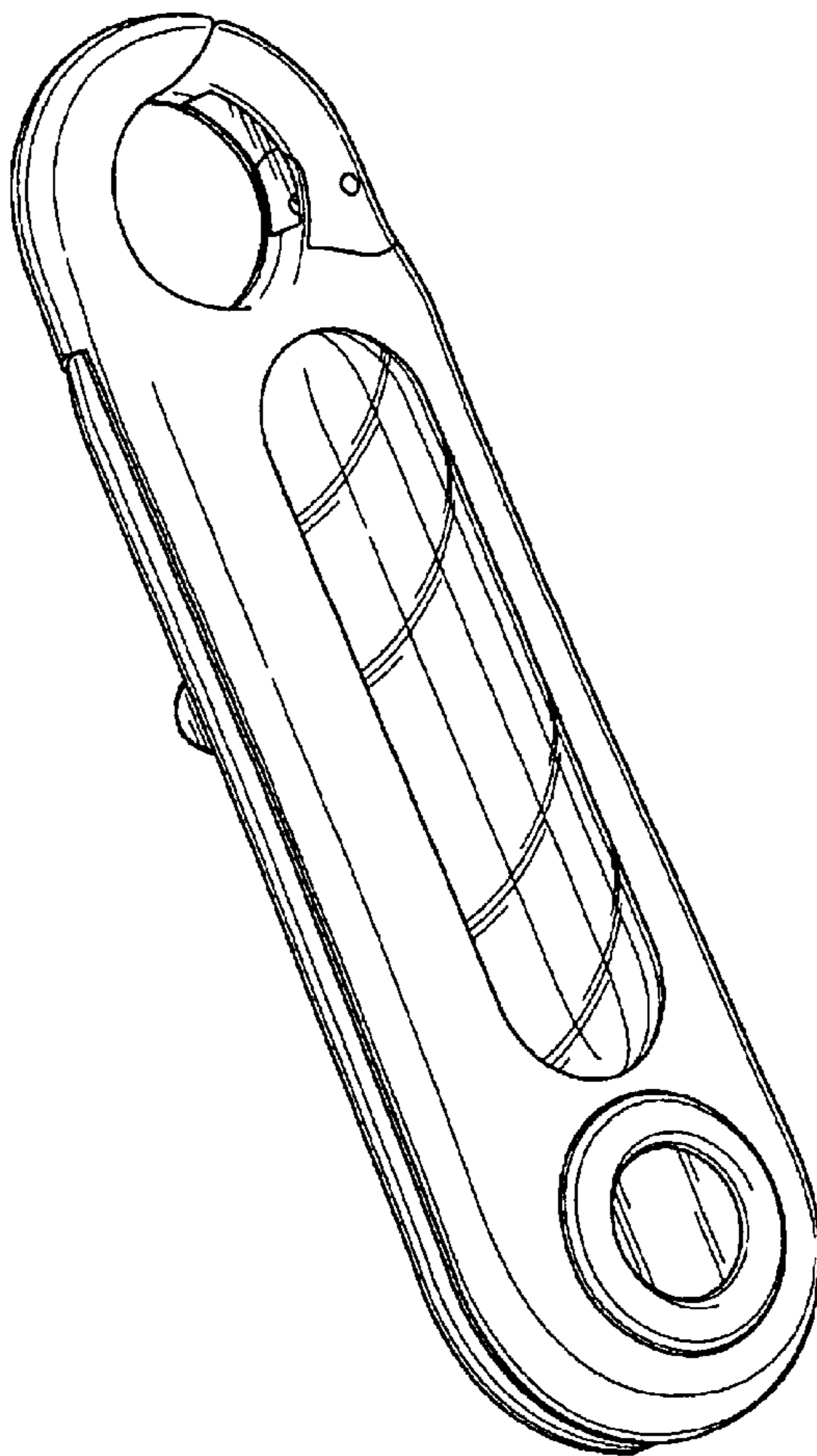
FIG. 4 is a top plan view of the radio of FIG. 1;

FIG. 5 is a rear view of the radio of FIG. 1;

FIG. 6 is a right side view of the radio of FIG. 1; and,

FIG. 7 is a bottom plan view of the radio of FIG. 1.

**1 Claim, 3 Drawing Sheets**



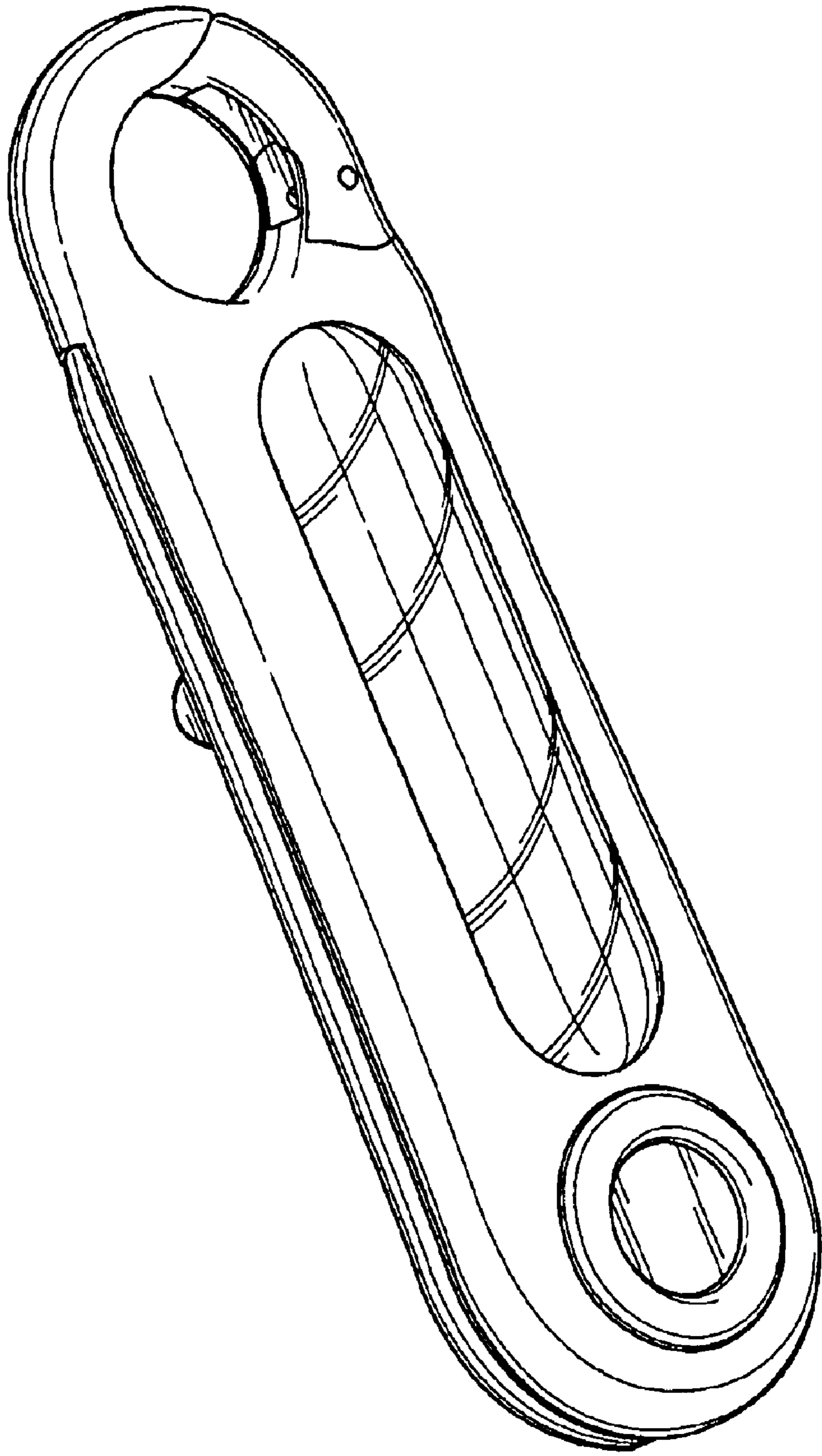


FIG. 1

FIG. 4

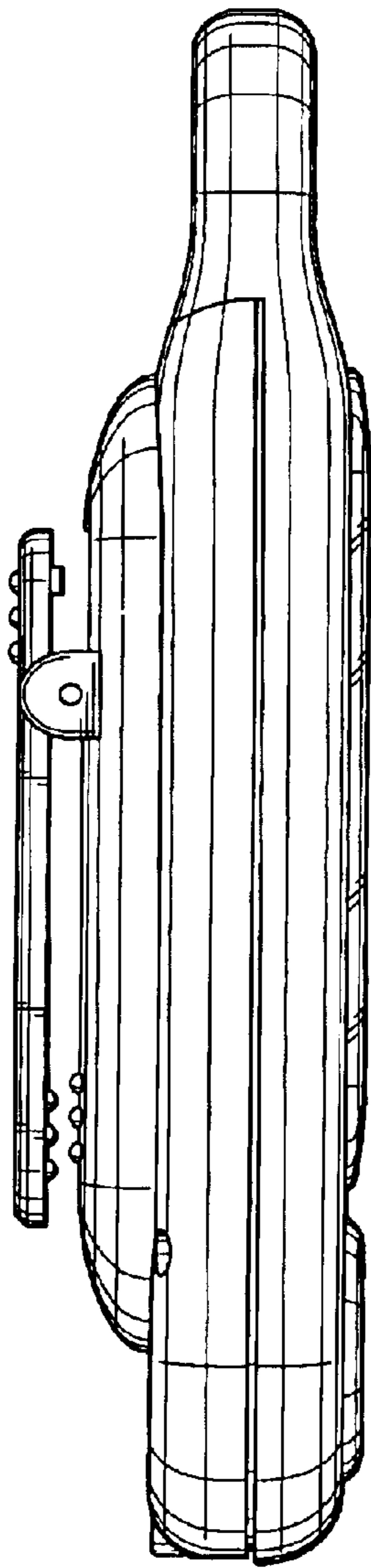
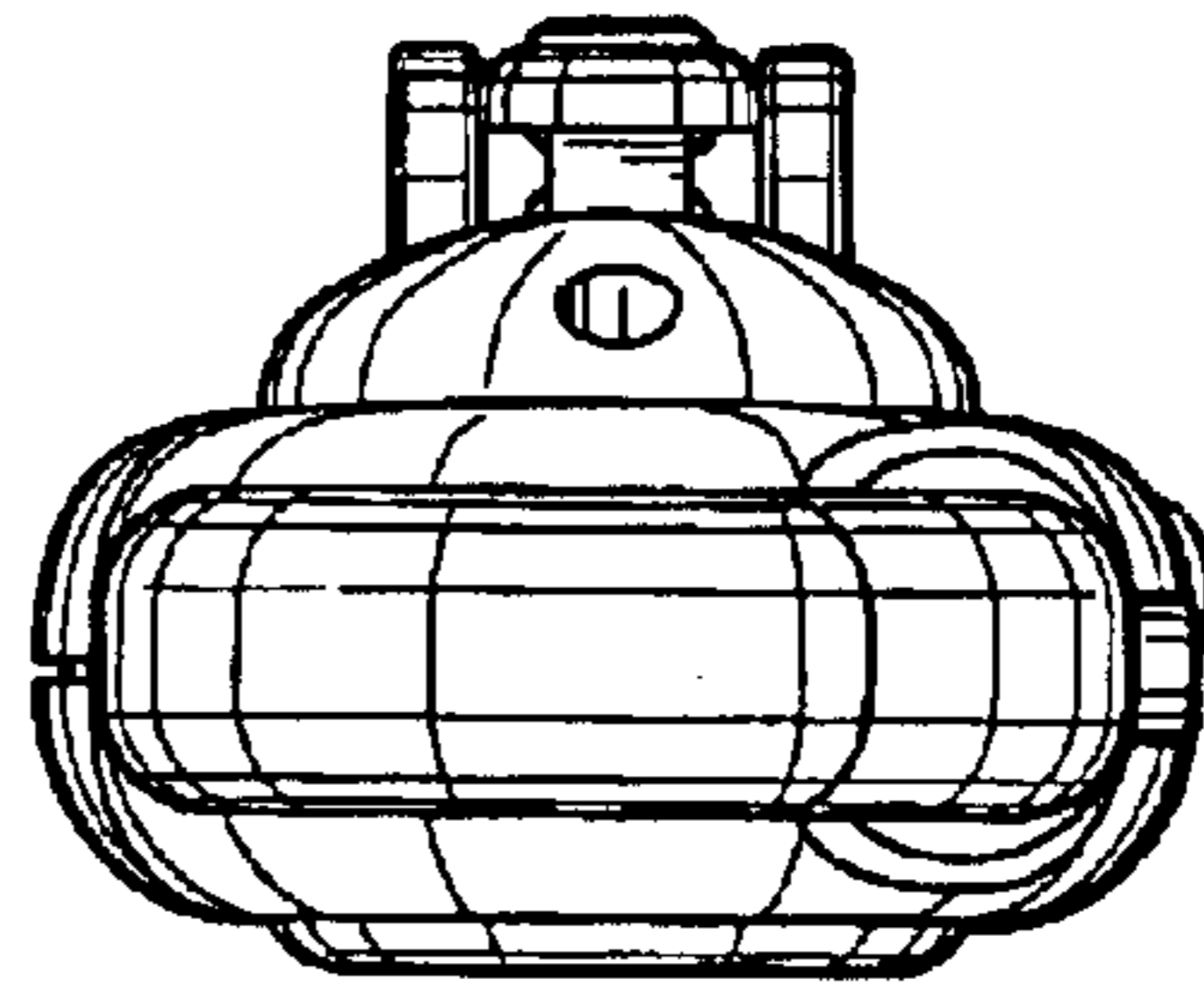


FIG. 3



FIG. 2

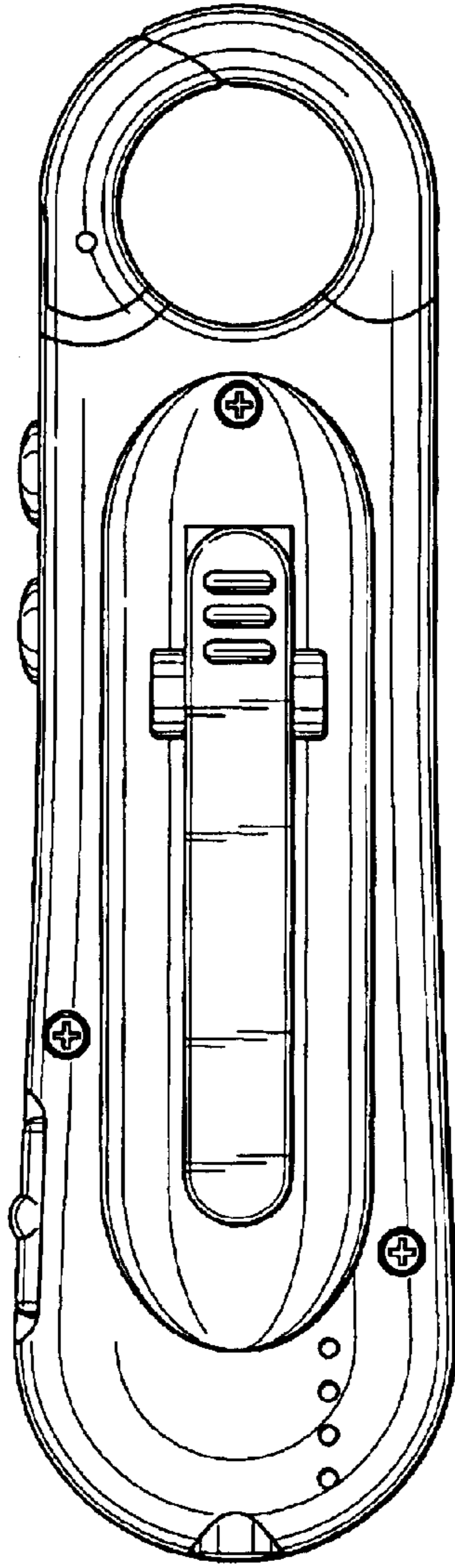


FIG. 5

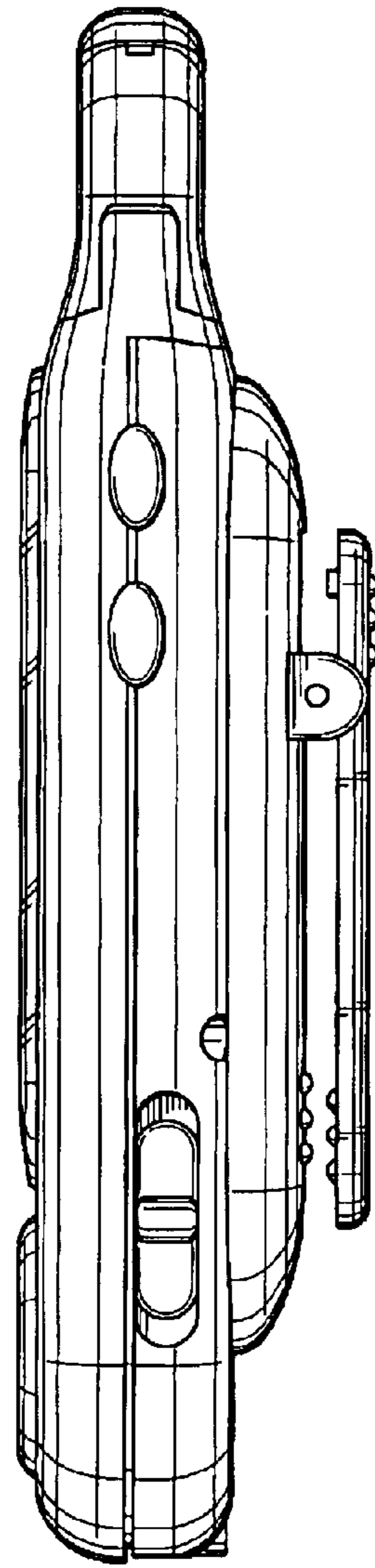


FIG. 6

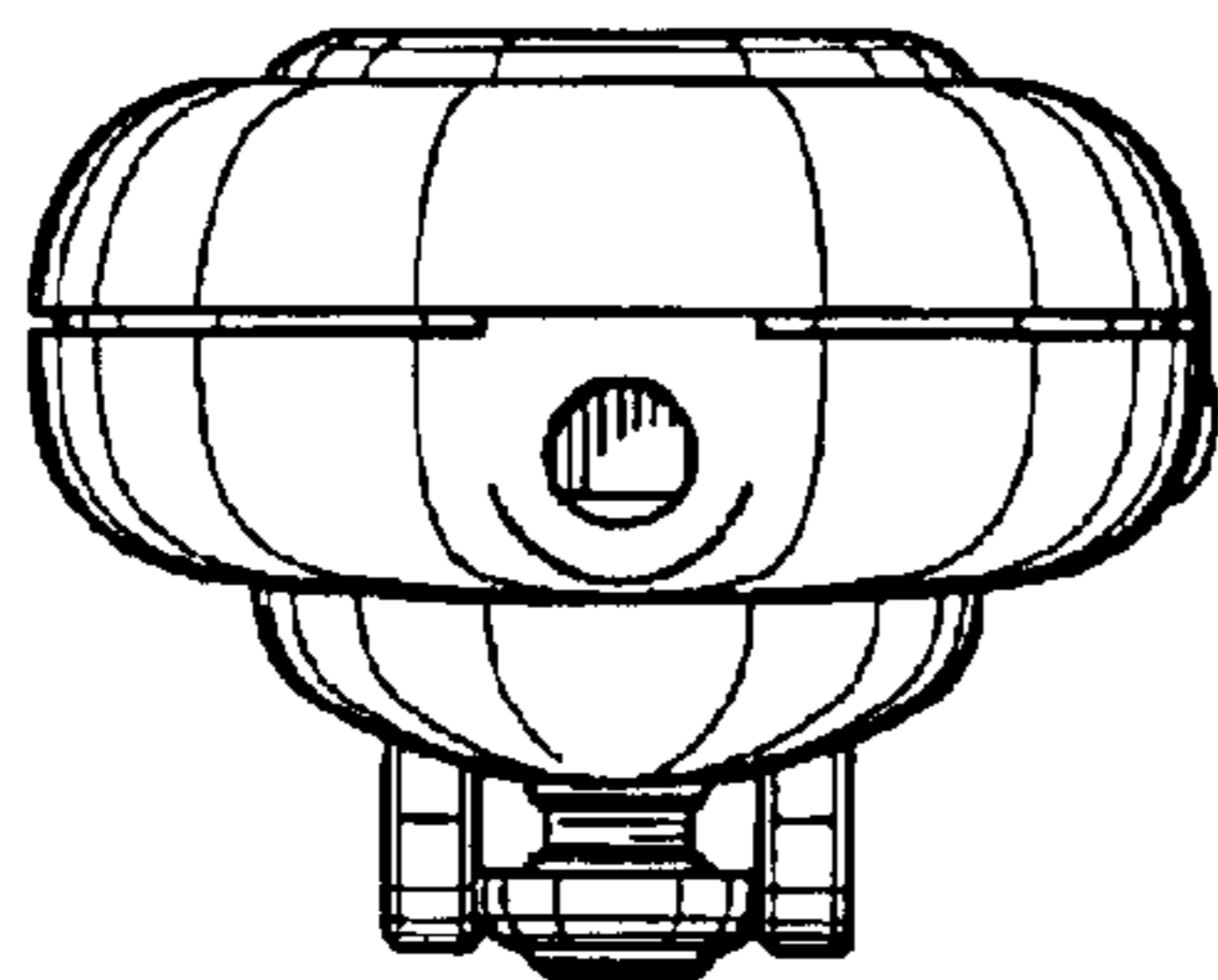


FIG. 7