



US00D491155S

(12) **United States Design Patent**
Kawakami et al.

(10) **Patent No.:** **US D491,155 S**
(45) **Date of Patent:** **** Jun. 8, 2004**

(54) **PORTABLE WIRELESS TELEPHONE**

(75) Inventors: **Hiroko Kawakami**, Tokyo (JP); **Ayako Tanaka**, Tokyo (JP); **Mitsuaki Kanada**, Tokyo (JP); **Kazuhiko Yamaoka**, Tokyo (JP)

(73) Assignee: **NEC Corporation**, Tokyo (JP)

(**) Term: **14 Years**

(21) Appl. No.: **29/167,129**

(22) Filed: **Sep. 10, 2002**

(30) **Foreign Application Priority Data**

Mar. 11, 2002 (JP) 2002-006331

(51) **LOC (7) Cl.** **14-03**

(52) **U.S. Cl.** **D14/138; D14/342; D14/431**

(58) **Field of Search** **D14/137, 138, D14/218, 147-148, 247-248, 144, 240, 411, 431, 341-347; 379/433.01-433.13, 419, 434, 428.01-428.04, 420.01-420.04, 440; 455/550.1-90.3; D21/517; 345/168, 169**

(56) **References Cited**

U.S. PATENT DOCUMENTS

D297,432 S	*	8/1988	Stant et al.	D14/431
D303,528 S	*	9/1989	Scheid et al.	D14/191
D304,191 S	*	10/1989	Sekine	D14/192
D316,854 S	*	5/1991	Okuyama et al.	D14/431
D342,260 S	*	12/1993	Sakata	D14/218
D345,555 S	*	3/1994	Yokouchi et al.	D14/138
D346,171 S	*	4/1994	Ratcliffe	D14/248
D351,151 S	*	10/1994	Park et al.	D14/431
D358,816 S	*	5/1995	Scheid	D14/191
5,422,656 A	*	6/1995	Allard et al.	345/173
D362,252 S	*	9/1995	Ansell et al.	D14/144
D364,616 S	*	11/1995	Oda et al.	D14/138

D381,663 S	*	7/1997	Friis	D14/240
5,703,932 A	*	12/1997	Oda	379/355
D391,568 S	*	3/1998	Carlson	D14/138
D393,834 S	*	4/1998	Margalit et al.	D14/100
D401,927 S	*	12/1998	Bailey	D14/431
D405,796 S	*	2/1999	Uehara	D14/218
D411,539 S	*	6/1999	Nagai et al.	D14/218
D413,328 S	*	8/1999	Kazama	D14/218
D418,141 S	*	12/1999	Godette et al.	D14/218
D422,971 S	*	4/2000	Leib	D14/100
D424,547 S	*	5/2000	Seachuga	D14/346
D426,223 S	*	6/2000	Nomura	D14/167
6,101,402 A	*	8/2000	Bartha et al.	455/569
D433,404 S	*	11/2000	Thakur	D14/218
6,173,194 B1	*	1/2001	Vanttila	455/566
D438,854 S	*	3/2001	Badoual	D14/138
D450,675 S	*	11/2001	Kim et al.	D14/138
D454,869 S	*	3/2002	Becker et al.	D14/248
D472,240 S	*	3/2003	Seog	D14/411
2001/0018351 A1	*	8/2001	Hino et al.	455/552.1
2003/0020694 A1	*	1/2003	Kim et al.	345/169
2003/0125094 A1	*	7/2003	Hyun et al.	455/566

* cited by examiner

Primary Examiner—Jeffrey Asch

(74) *Attorney, Agent, or Firm*—Sughrue Mion, PLLC

(57) **CLAIM**

The ornamental design for a portable wireless telephone, as shown.

DESCRIPTION

FIG. 1 is a perspective view of the front, top and right side of a portable wireless telephone showing our new design; FIG. 2 is a front elevational view thereof; FIG. 3 is a rear elevational view thereof; FIG. 4 is a left side elevational view thereof; FIG. 5 is a right side elevational view thereof; FIG. 6 is a top plan view thereof; and, FIG. 7 is a bottom plan view thereof.

1 Claim, 3 Drawing Sheets

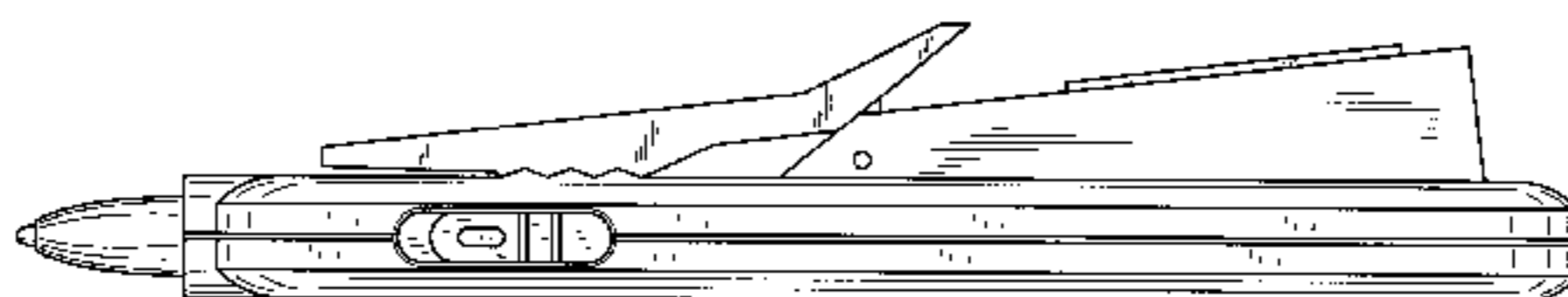
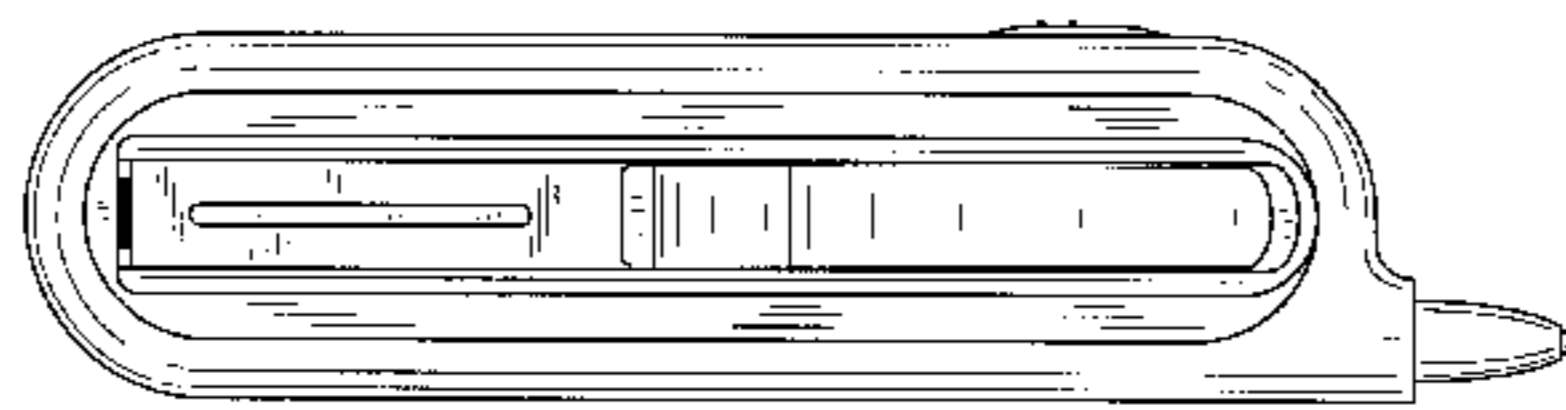
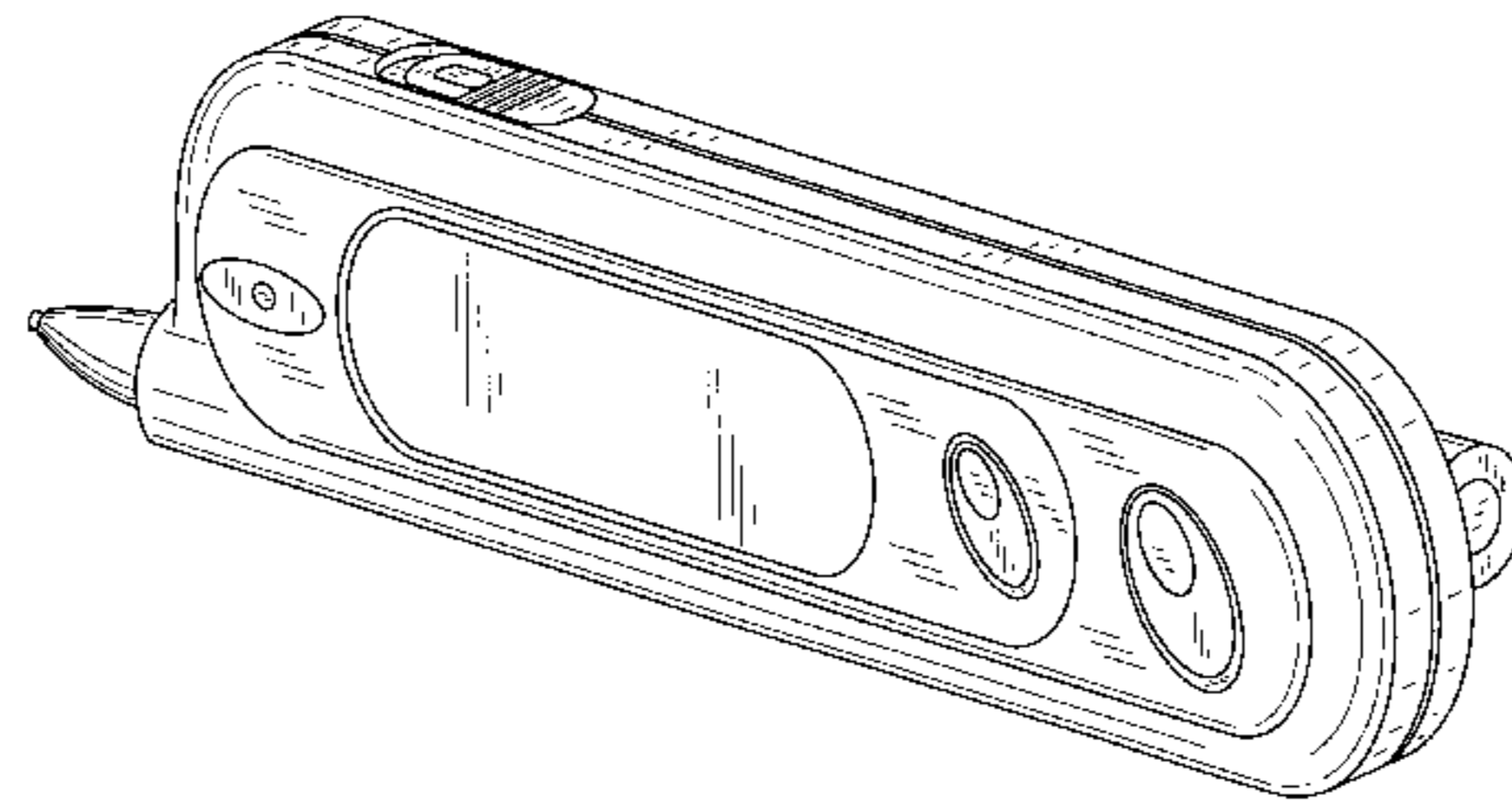


FIG. 1

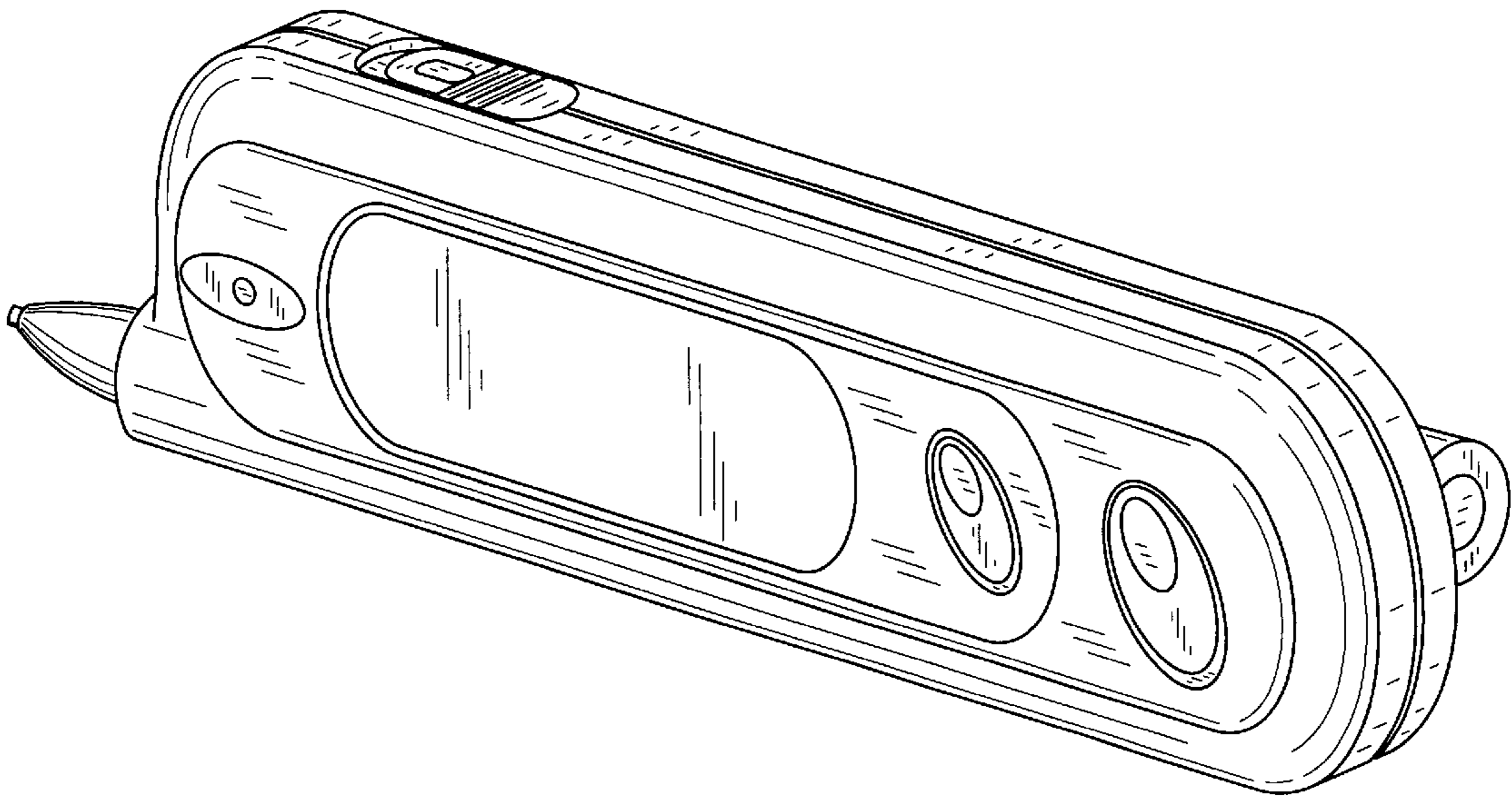


FIG. 2

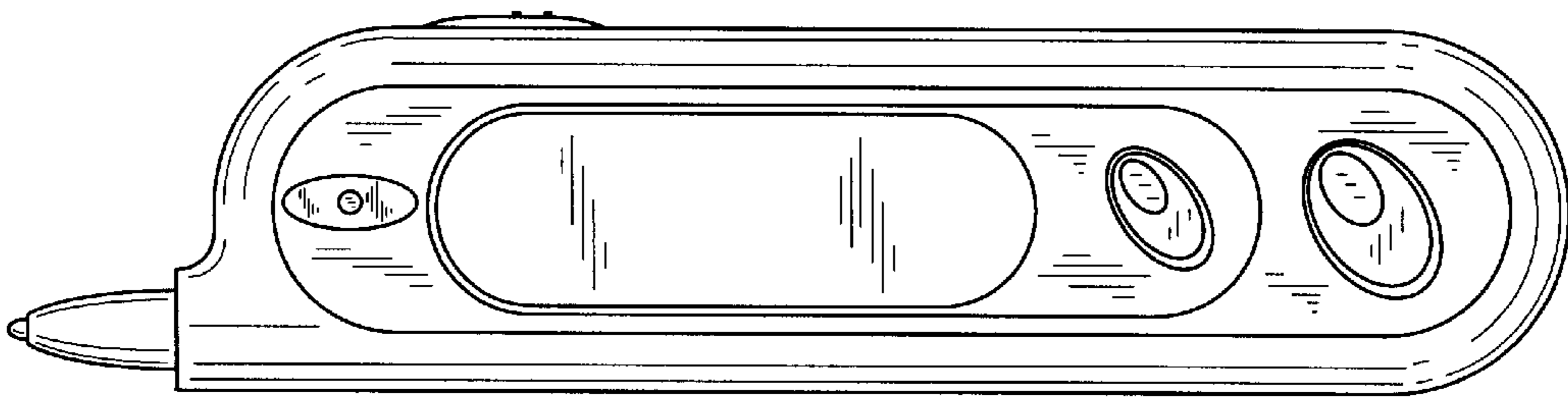


FIG. 3

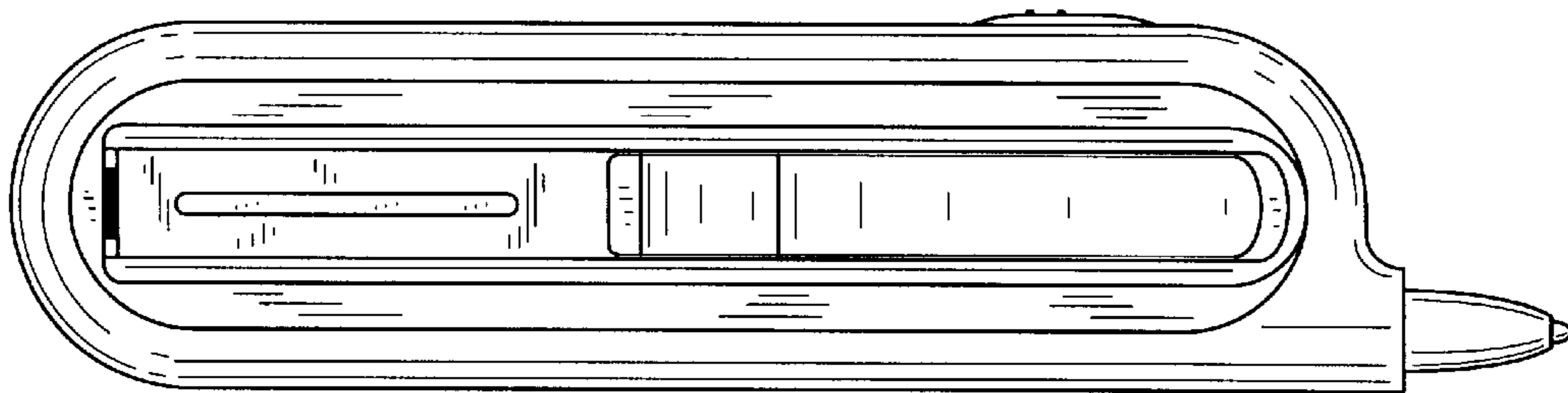


FIG. 4

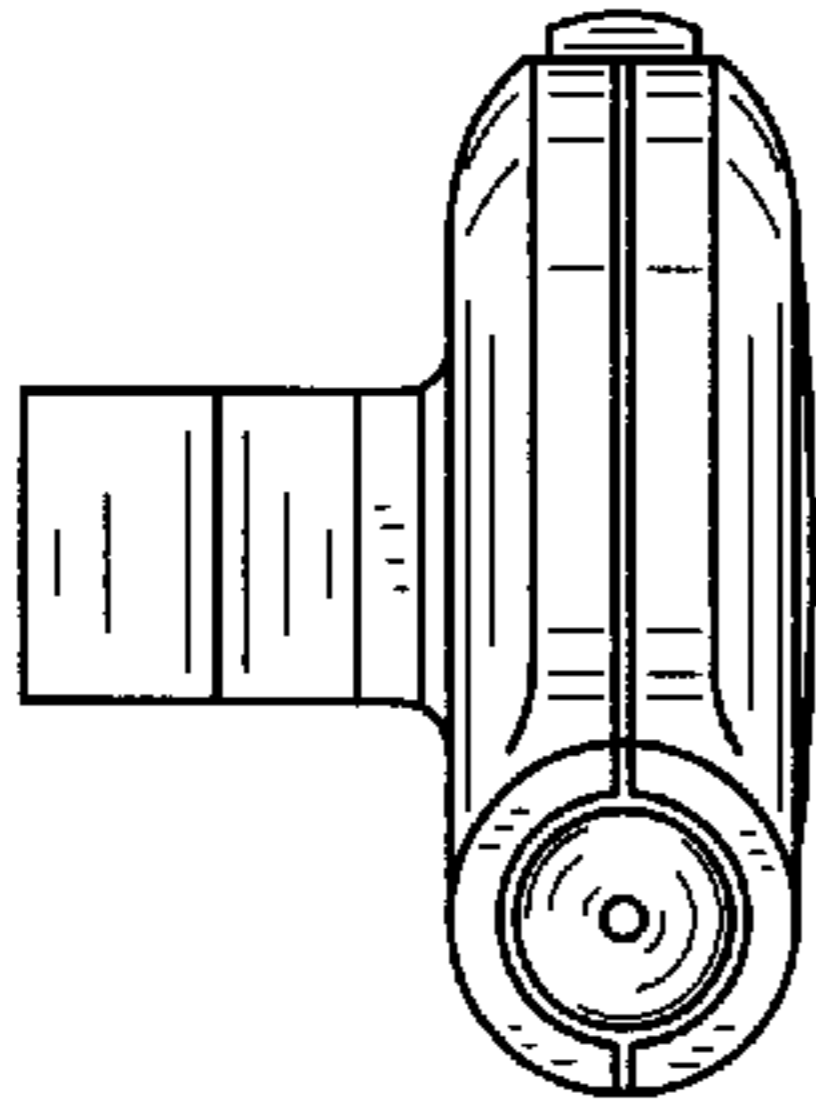


FIG. 5

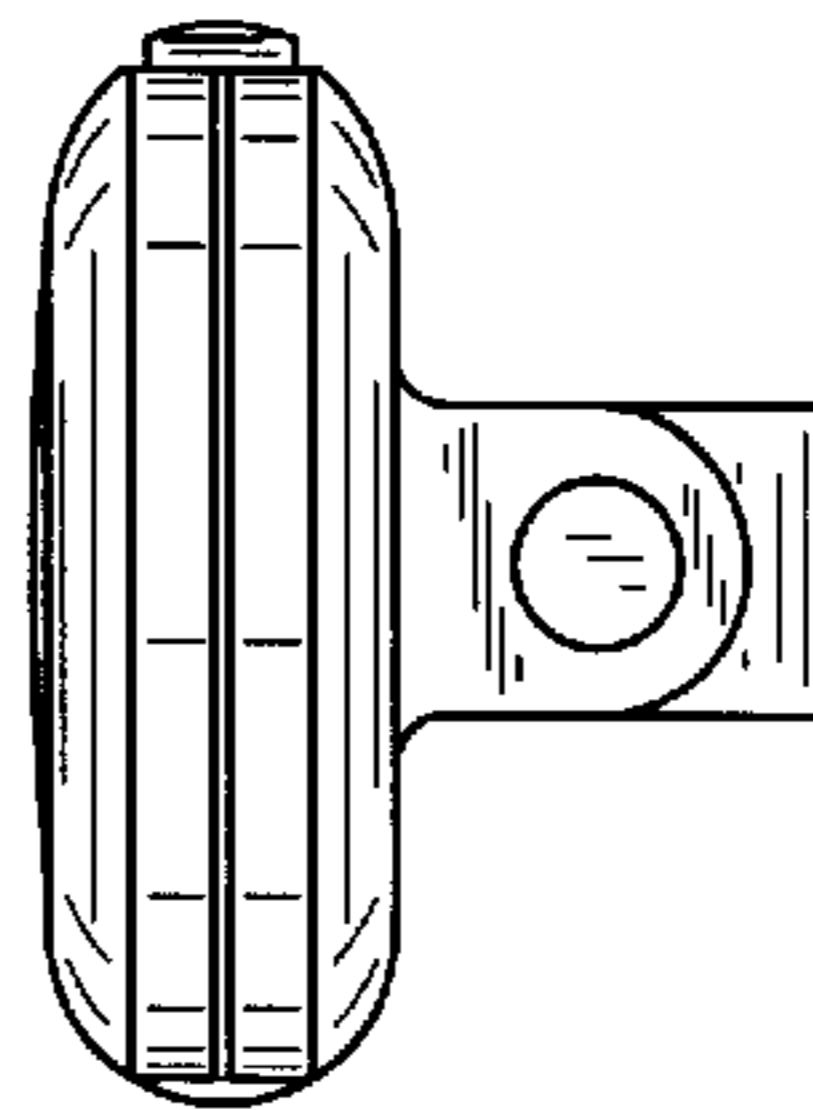


FIG. 6

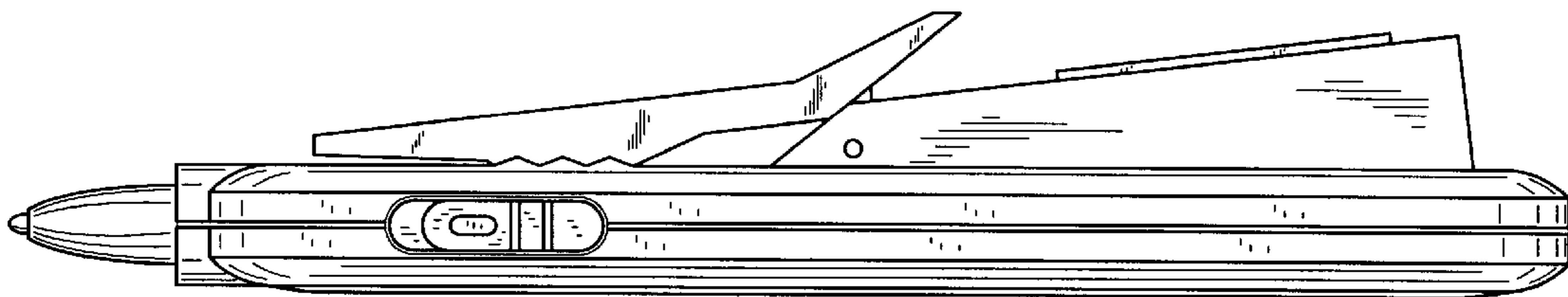


FIG. 7

