



US00D491153S

(12) **United States Design Patent**
Wintzen et al.

(10) **Patent No.:** **US D491,153 S**

(45) **Date of Patent:** **** Jun. 8, 2004**

(54) **VIDEOPHONE**

(75) Inventors: **Eckart Joachim Wintzen**, Austerlitz (NL); **Frederik Karel Kappetijn**, Amsterdam (NL); **Pieter Martinus den Toonder**, Dordrecht (NL)

(73) Assignee: **Ex'Ovision B.V.**, Austerlitz (NL)

(**) Term: **14 Years**

(21) Appl. No.: **29/159,342**

(22) Filed: **Apr. 18, 2002**

(30) **Foreign Application Priority Data**

Oct. 19, 2001 (BX) 33619-00

(51) **LOC (7) Cl.** **14-03**

(52) **U.S. Cl.** **D14/130**

(58) **Field of Search** D14/329, 330, D14/447, 374-376, 148, 147, 126, 149-151, 136, 140-142, 146, 240, 241, 129, 130, 144, 317, 336-337; 379/420.01, 420.02, 420.03, 419, 420.04, 428.02, 428.01, 428.04, 428.03, 454, 440, 90.01, 93.17, 93.19, 93.22, 433-436, 900, 441; 348/14.01-14.16; D20/10, 1, 4; D99/28; D25/4, 16; D6/310, 314, 421; 52/27.5

(56) **References Cited**

U.S. PATENT DOCUMENTS

- D213,108 S * 1/1969 Dreyfuss et al. D14/130
- D223,672 S * 5/1972 Sjolholm D14/130
- D225,113 S * 11/1972 Genaro et al. D14/130
- D232,560 S * 8/1974 Maddock et al. D14/130
- D237,801 S * 11/1975 Genaro et al. D14/130
- D241,655 S * 9/1976 Genaro et al. D14/130
- 4,438,458 A * 3/1984 Munscher 348/838
- D274,728 S * 7/1984 Shibata D14/375
- D285,684 S * 9/1986 Akita et al. D14/128
- 4,646,158 A * 2/1987 Ohno et al. 348/794
- D294,262 S * 2/1988 Thies et al. D14/375
- D306,582 S * 3/1990 Miyahara et al. D14/126
- D319,435 S * 8/1991 Brown D14/336

- D326,847 S * 6/1992 Savio D14/375
- D339,801 S * 9/1993 Urushihara et al. D14/464
- D340,705 S * 10/1993 Asakura et al. D14/425
- D347,840 S * 6/1994 Gale et al. D14/128
- D350,743 S * 9/1994 Hicks, III et al. D14/130
- D354,954 S * 1/1995 Naito et al. D14/130
- D363,925 S * 11/1995 Imai D14/375
- D377,168 S * 1/1997 Chen et al. D14/425
- D383,739 S * 9/1997 Gilgen D14/375
- D392,303 S * 3/1998 Hern D16/225
- D392,946 S * 3/1998 Elkins D14/329
- D397,684 S * 9/1998 Kow D14/425
- D405,443 S * 2/1999 Marsh D14/126
- D410,447 S * 6/1999 Chang D14/375
- D412,900 S * 8/1999 Utsugi D14/136

(List continued on next page.)

Primary Examiner—Jeffrey Asch

(74) *Attorney, Agent, or Firm*—Webb Ziesenheim Logsdon Orkin & Hanson, P.C.

(57) **CLAIM**

The ornamental design for a videophone, as shown and described.

DESCRIPTION

FIG. 1 is a front, top perspective view of a videophone in accordance with the present invention and in an open position;

FIG. 2 is a side elevational view of the videophone shown in FIG. 1;

FIG. 3 is a front elevational view of the videophone shown in FIG. 1;

FIG. 4 is a top plan view of the videophone shown in FIG. 1;

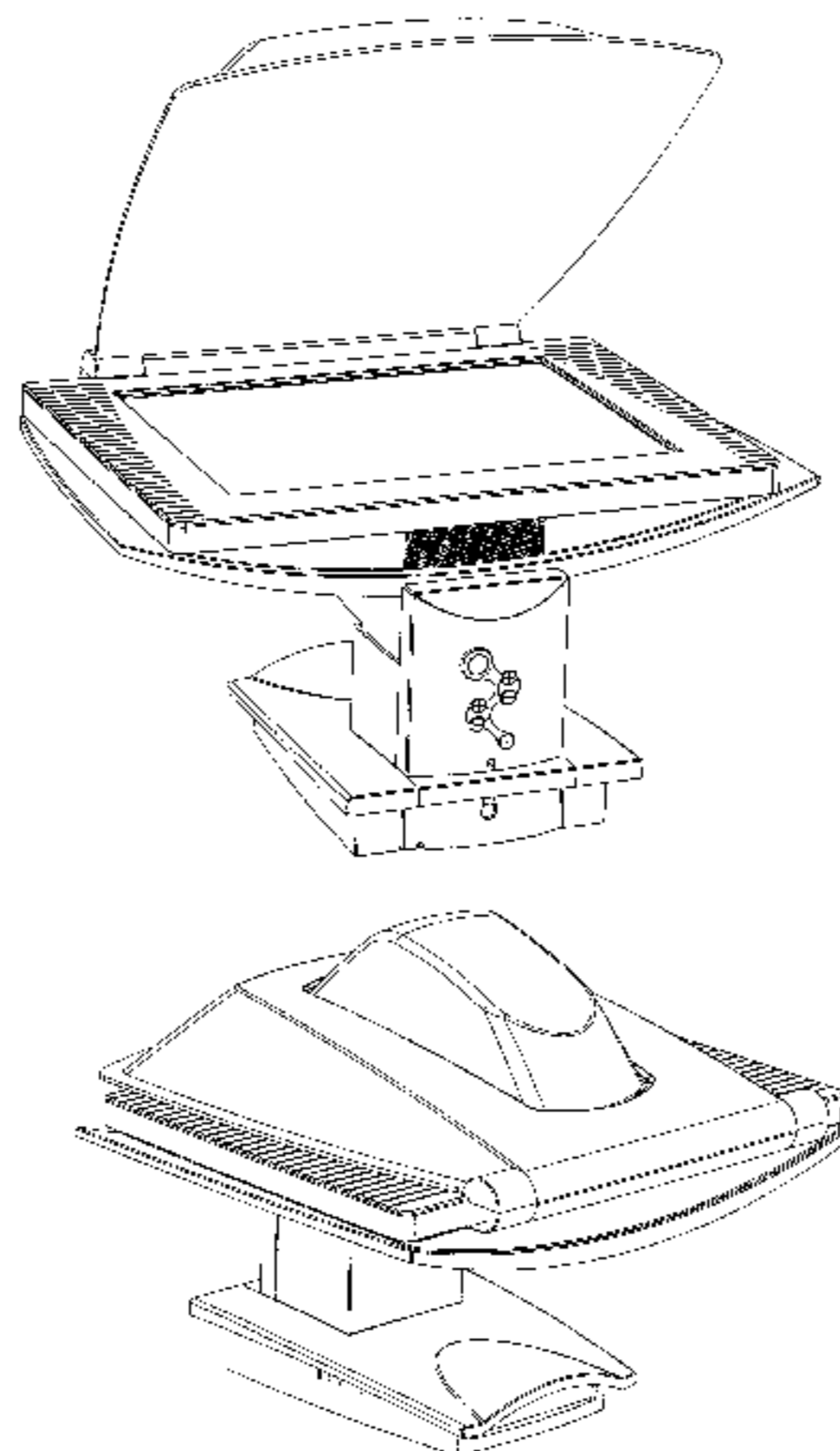
FIG. 5 is a rear perspective view of the videophone shown in FIG. 1;

FIG. 6 is a bottom plan view of the videophone shown in FIG. 1;

FIG. 7 is a front, top perspective view of the videophone shown in FIG. 1 and in a closed position; and,

FIG. 8 is a rear perspective view of the videophone shown in FIG. 7.

1 Claim, 8 Drawing Sheets



US D491,153 S

Page 2

U.S. PATENT DOCUMENTS

| | | | | | | | | | |
|-------------|---|---------|----------------------|-----------|------------|---|---------|---------------------|---------|
| 5,953,052 A | * | 9/1999 | McNelley et al. | 348/14.16 | D474,453 S | * | 5/2003 | Kanatani | D14/126 |
| D416,251 S | * | 11/1999 | Rosen | D14/126 | D475,687 S | * | 6/2003 | Goto | D14/126 |
| D440,976 S | * | 4/2001 | Lin et al. | D14/425 | D475,985 S | * | 6/2003 | Huang et al. | D14/130 |
| D442,951 S | * | 5/2001 | Hill et al. | D14/336 | D476,004 S | * | 6/2003 | Olson et al. | D14/375 |
| D469,747 S | * | 2/2003 | To et al. | D14/132 | D478,881 S | * | 8/2003 | OaLeary et al. | D14/130 |
| D470,489 S | * | 2/2003 | Lin | D14/375 | D482,034 S | * | 11/2003 | Duan | D14/375 |

* cited by examiner

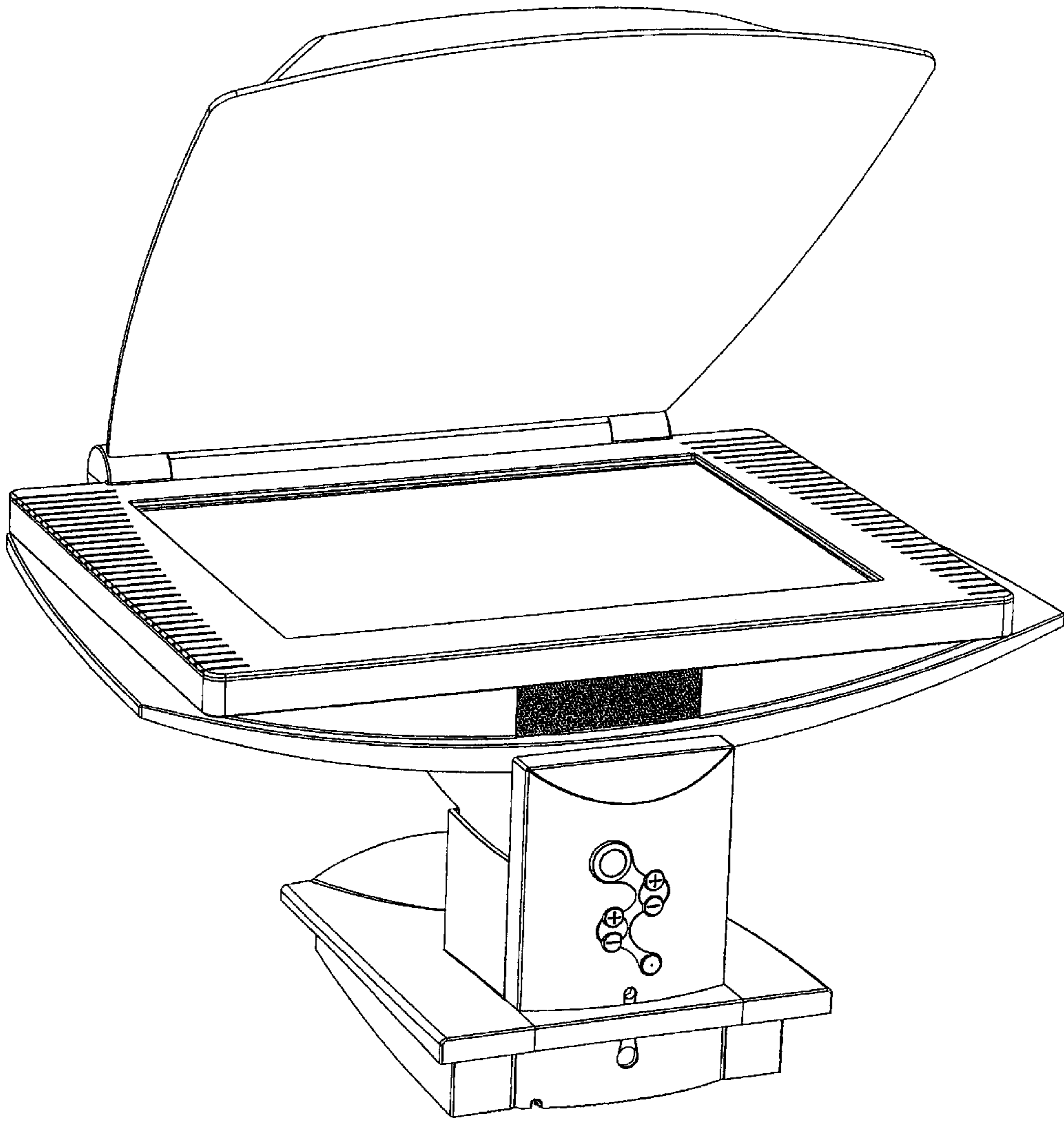


FIG. 1

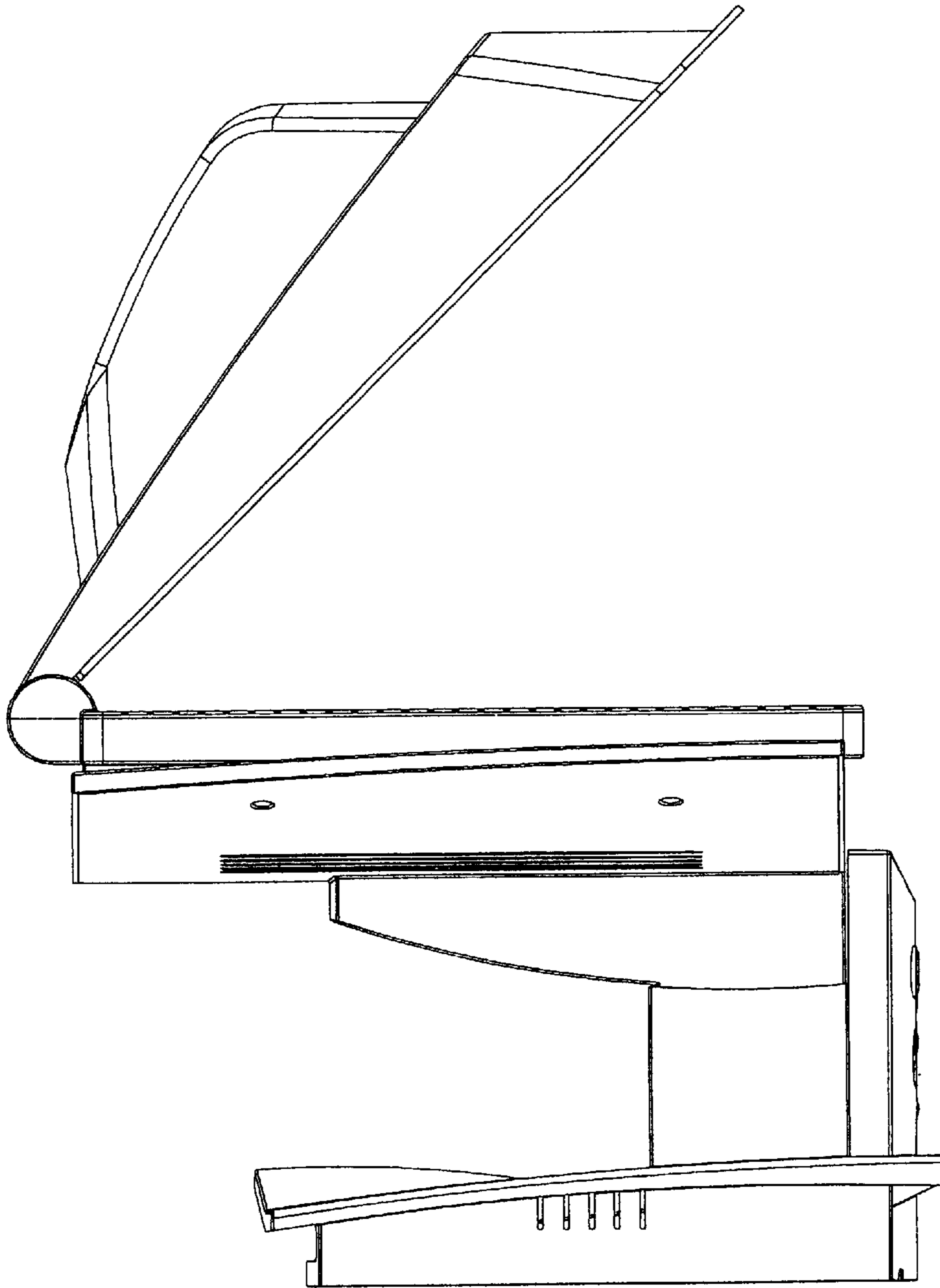


FIG. 2

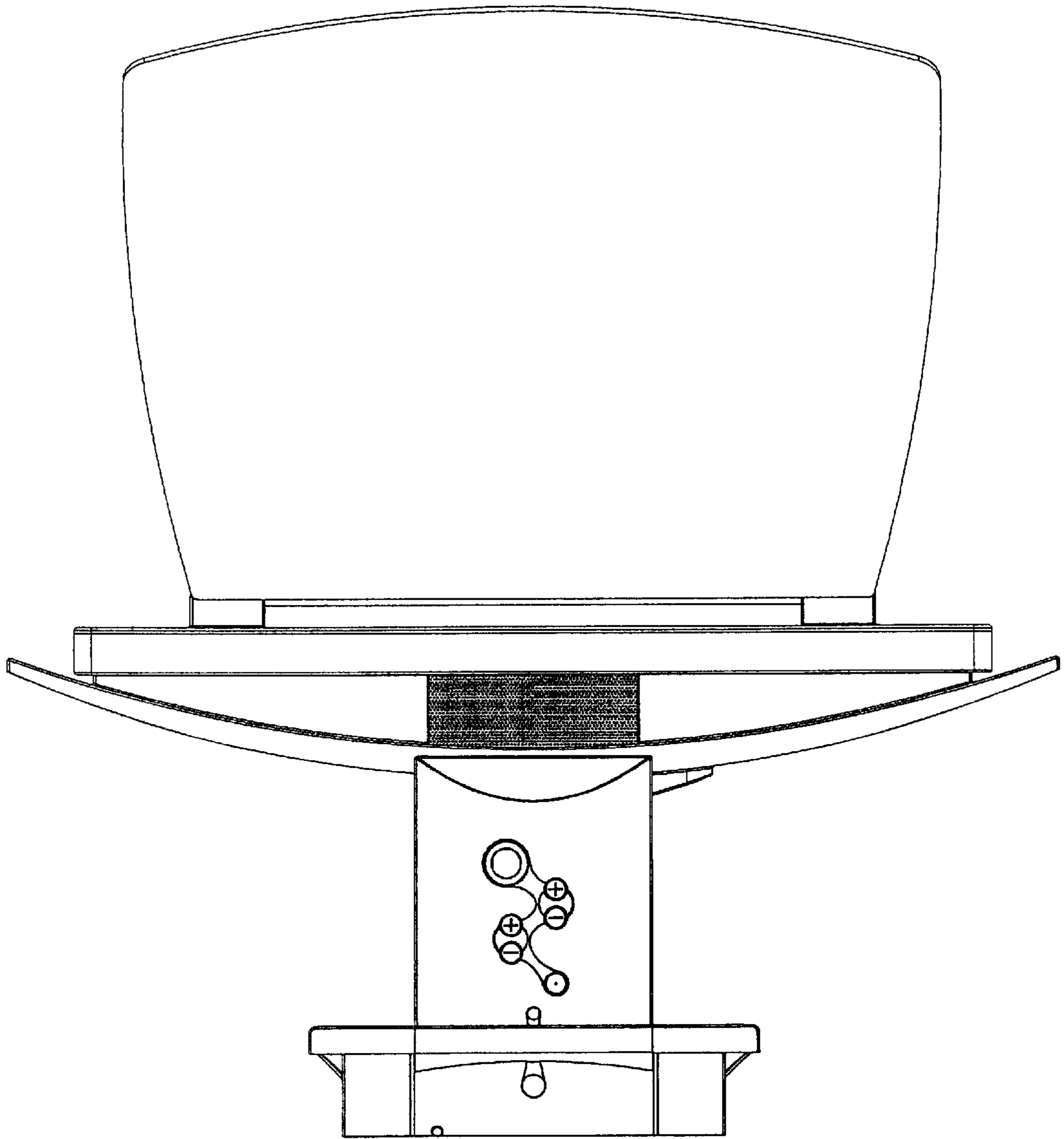


FIG. 3

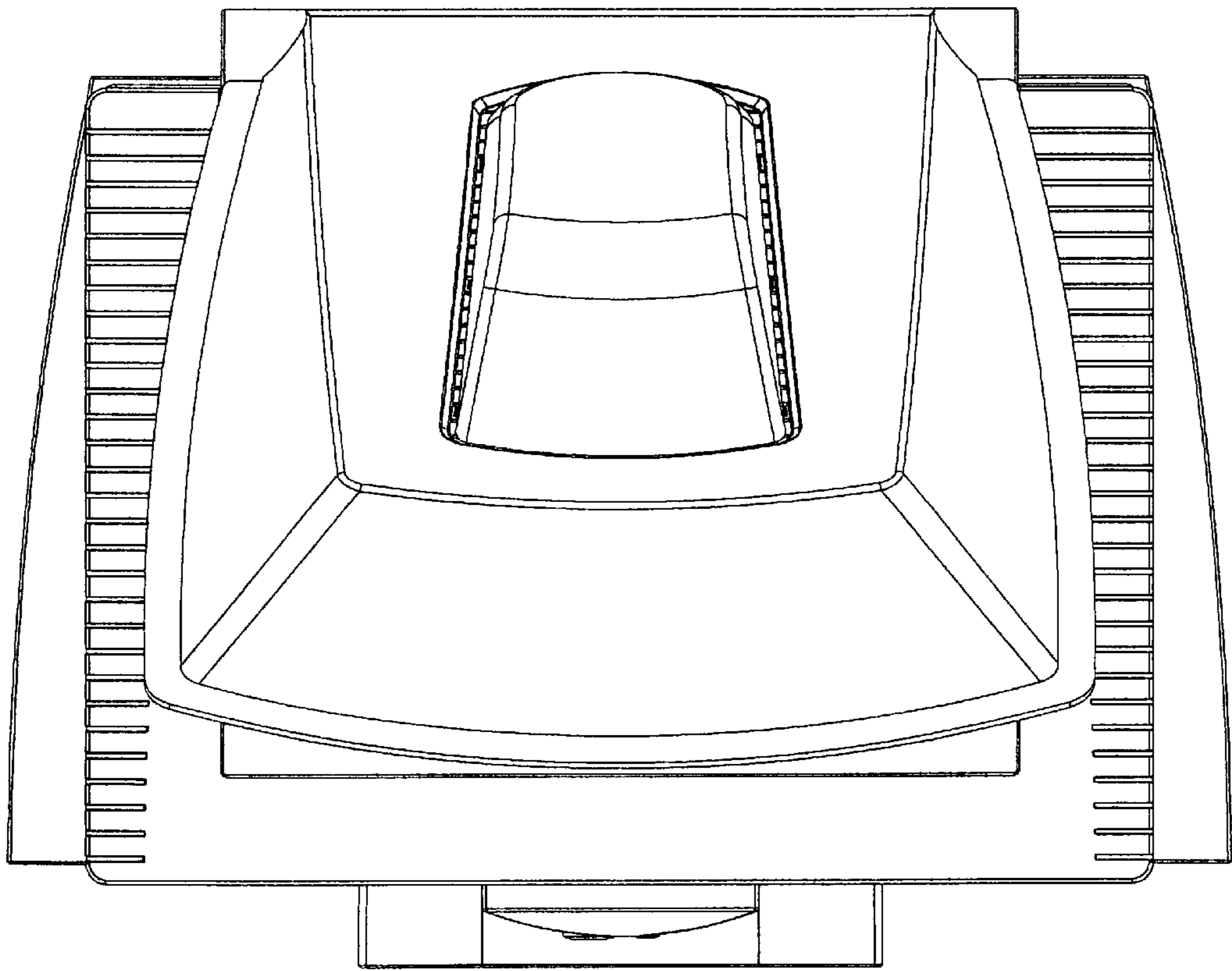


FIG. 4

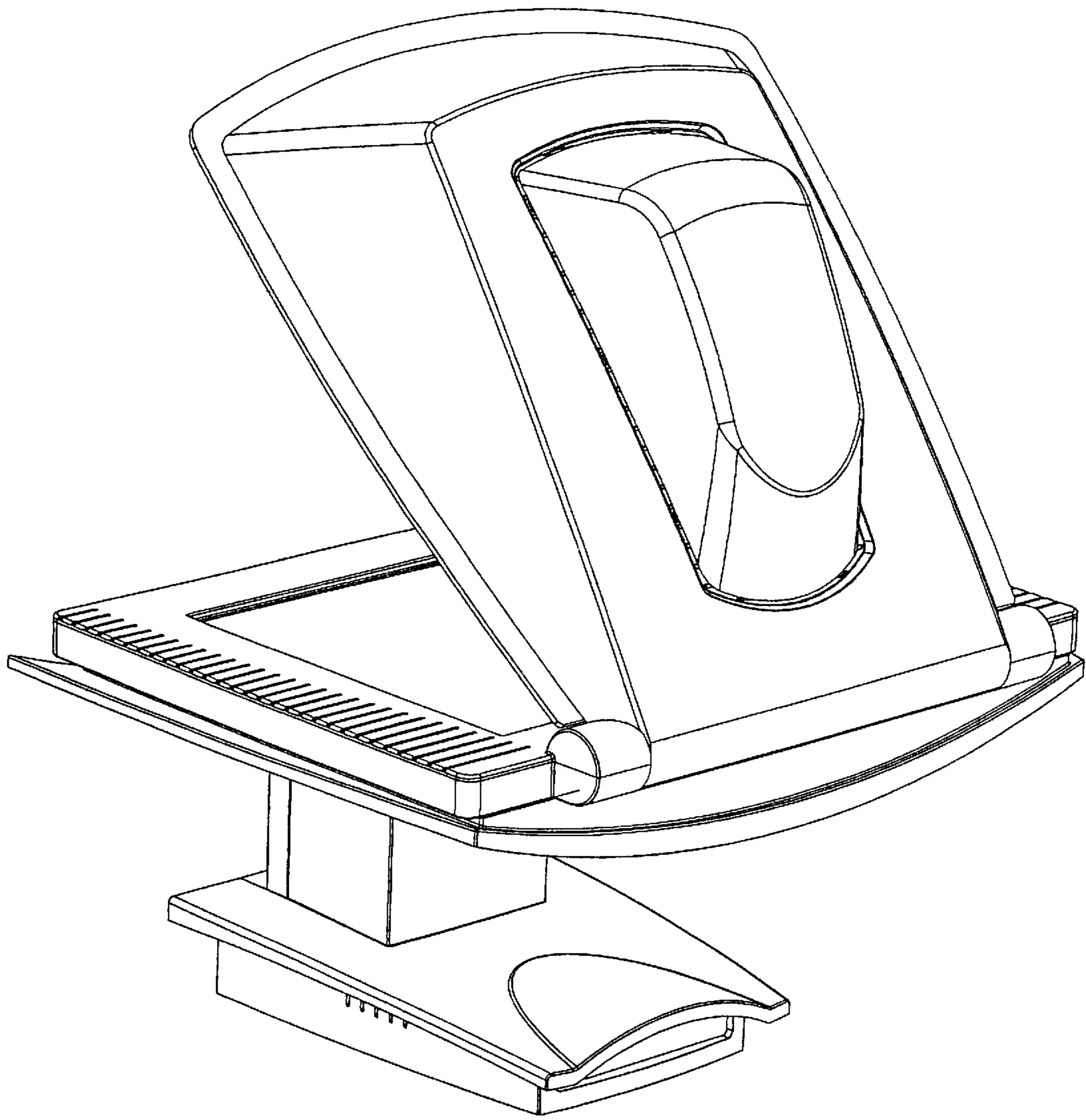


FIG. 5

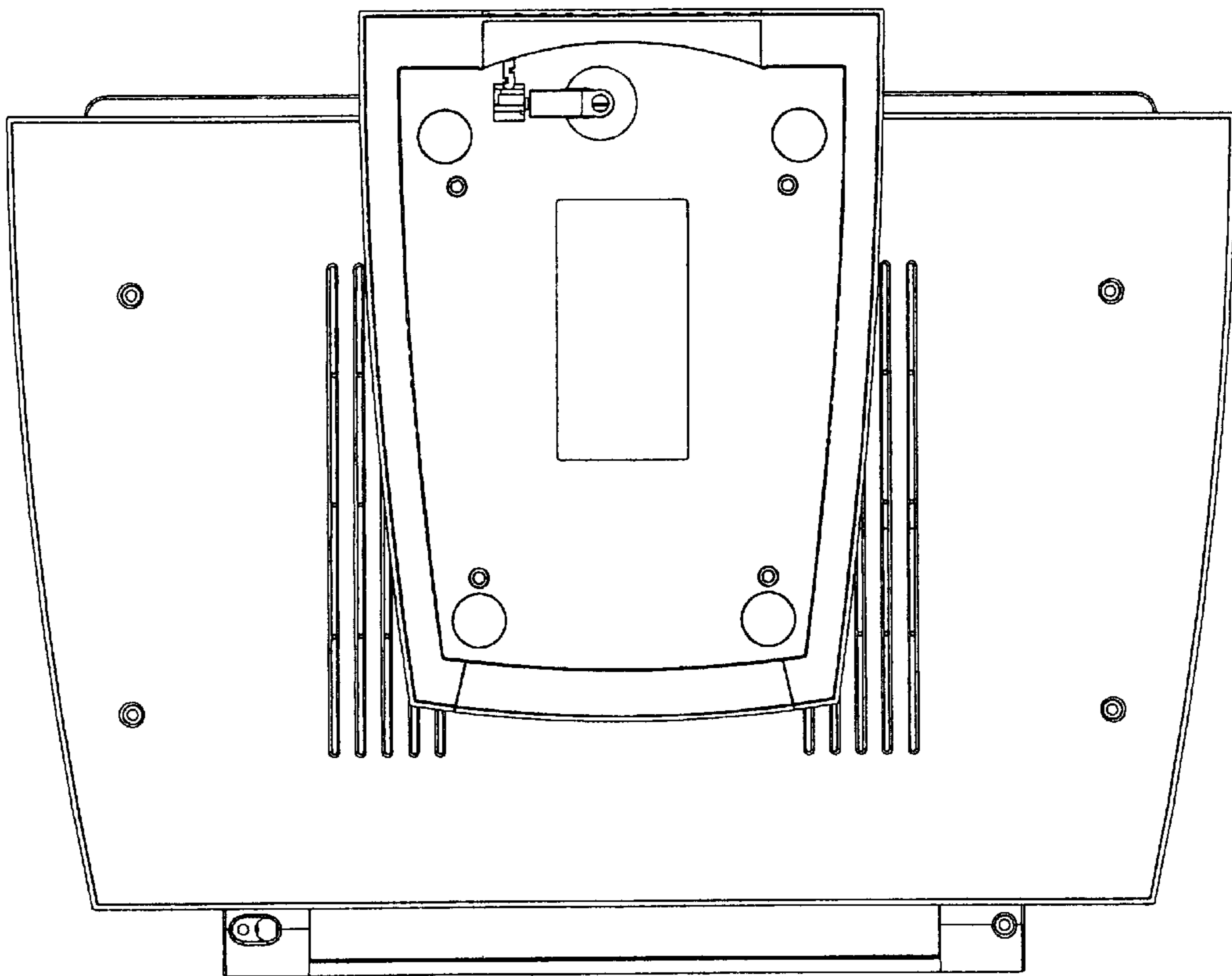


FIG. 6

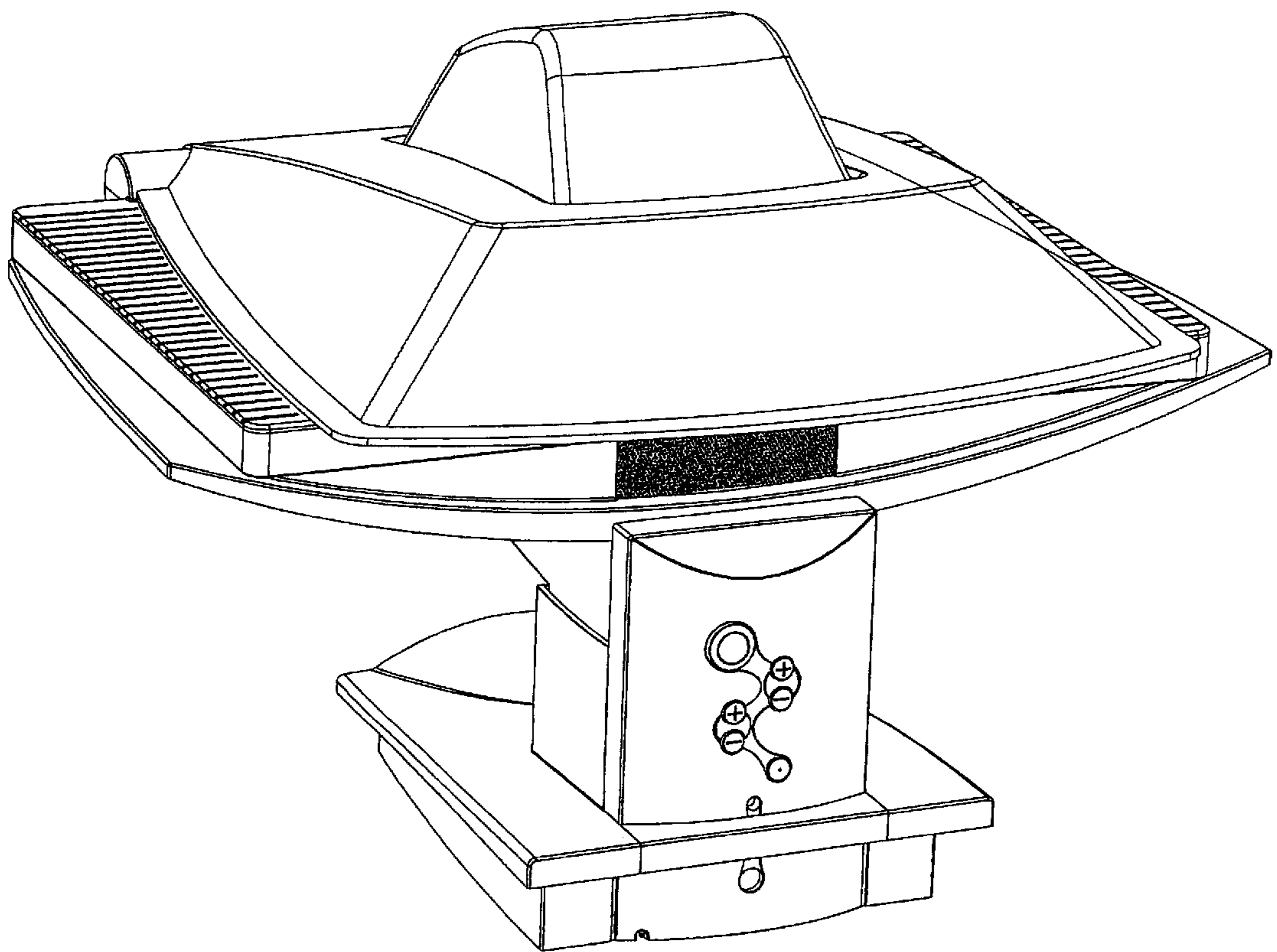


FIG. 7

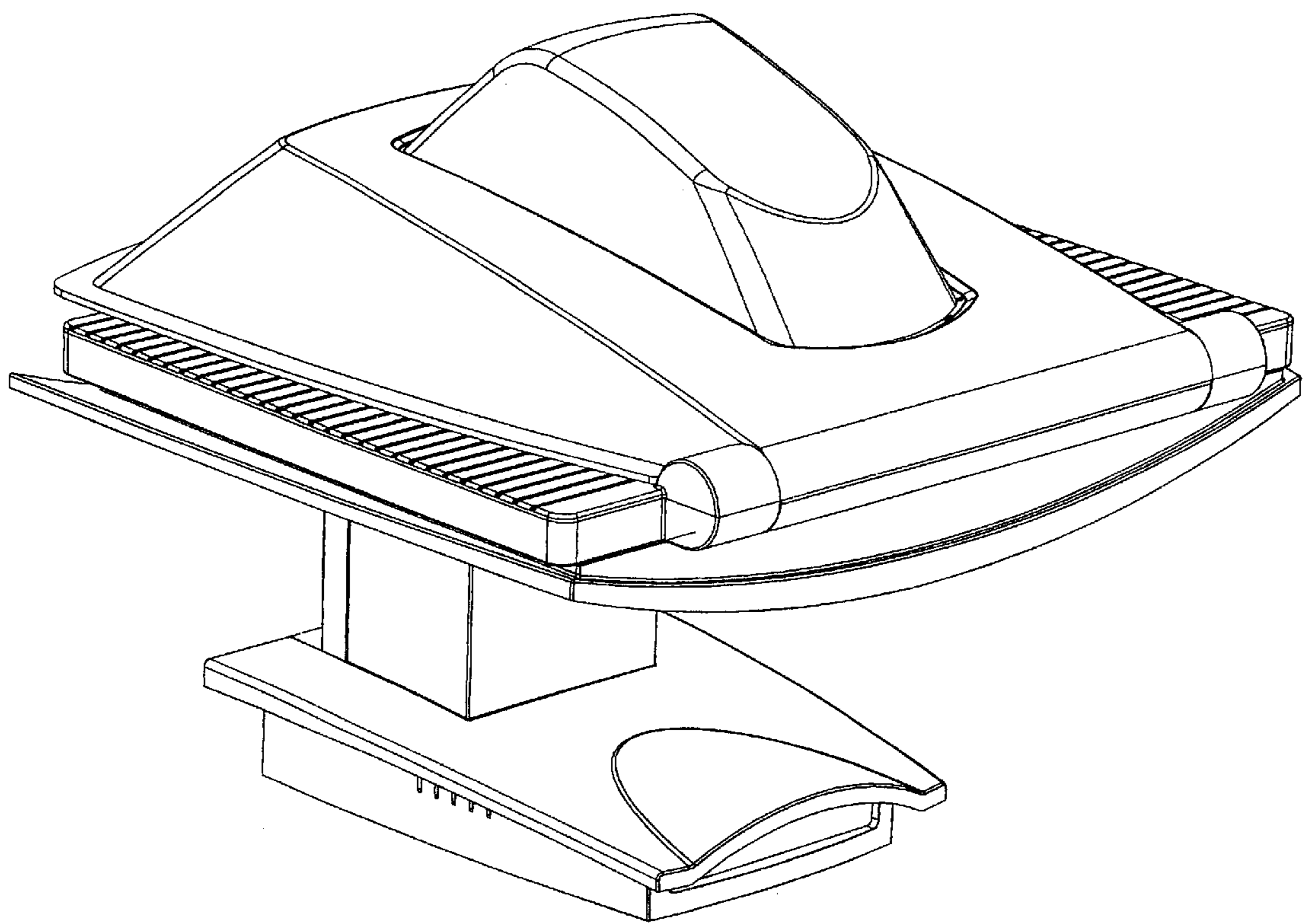


FIG. 8