



US00D491148S

(12) **United States Design Patent**  
**Zhao et al.**

(10) **Patent No.:** **US D491,148 S**

(45) **Date of Patent:** **\*\* Jun. 8, 2004**

(54) **CARD EDGE CONNECTOR**

(75) Inventors: **Qijun Zhao**, Kunsan (CN); **Jinkui Hu**,  
Kunsan (CN); **Guohua Zhang**, Kunsan  
(CN)

(73) Assignee: **Hon Hai Precision Ind. Co., Ltd.**,  
Taipei Hsien (TW)

(\*\*) Term: **14 Years**

(21) Appl. No.: **29/182,396**

(22) Filed: **May 23, 2003**

(30) **Foreign Application Priority Data**

May 20, 2003 (TW) ..... 92303170

(51) **LOC (7) Cl.** ..... **13-03**

(52) **U.S. Cl.** ..... **D13/147**

(58) **Field of Search** ..... D13/146, 147;  
439/74, 79, 83, 108, 160, 181, 260, 325,  
329, 484, 492, 495, 567, 607, 637, 636

(56) **References Cited**

**U.S. PATENT DOCUMENTS**

6,419,503 B1 \* 7/2002 Choy ..... 439/79

6,431,890 B1 \* 8/2002 Li et al. .... 439/160  
D472,218 S \* 3/2003 Shao ..... D13/147  
6,551,116 B1 \* 4/2003 Liu ..... 439/79

\* cited by examiner

*Primary Examiner*—Philip S. Hyder

*Assistant Examiner*—Selina Sikder

(74) *Attorney, Agent, or Firm*—Wei Te Chung

(57) **CLAIM**

The ornamental design for a card edge connector, as shown.

**DESCRIPTION**

FIG. 1 is a front, top and left side perspective view of a card edge connector showing our new design;

FIG. 2 is a front elevational view thereof;

FIG. 3 is a rear elevational view thereof;

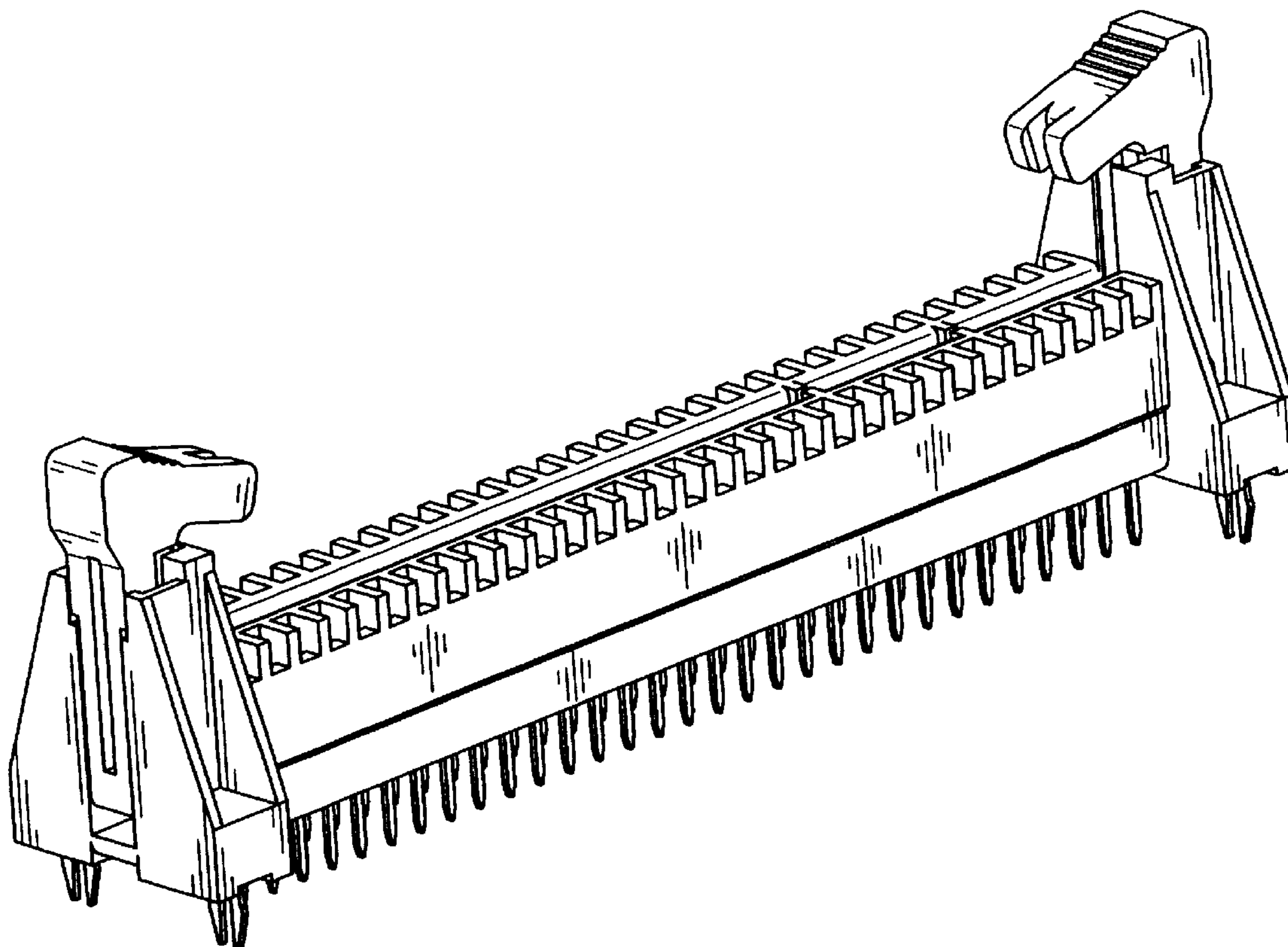
FIG. 4 is a left side elevational view thereof;

FIG. 5 is a right side elevational view thereof;

FIG. 6 is a top plan view of thereof; and,

FIG. 7 is a bottom plan view thereof.

**1 Claim, 6 Drawing Sheets**



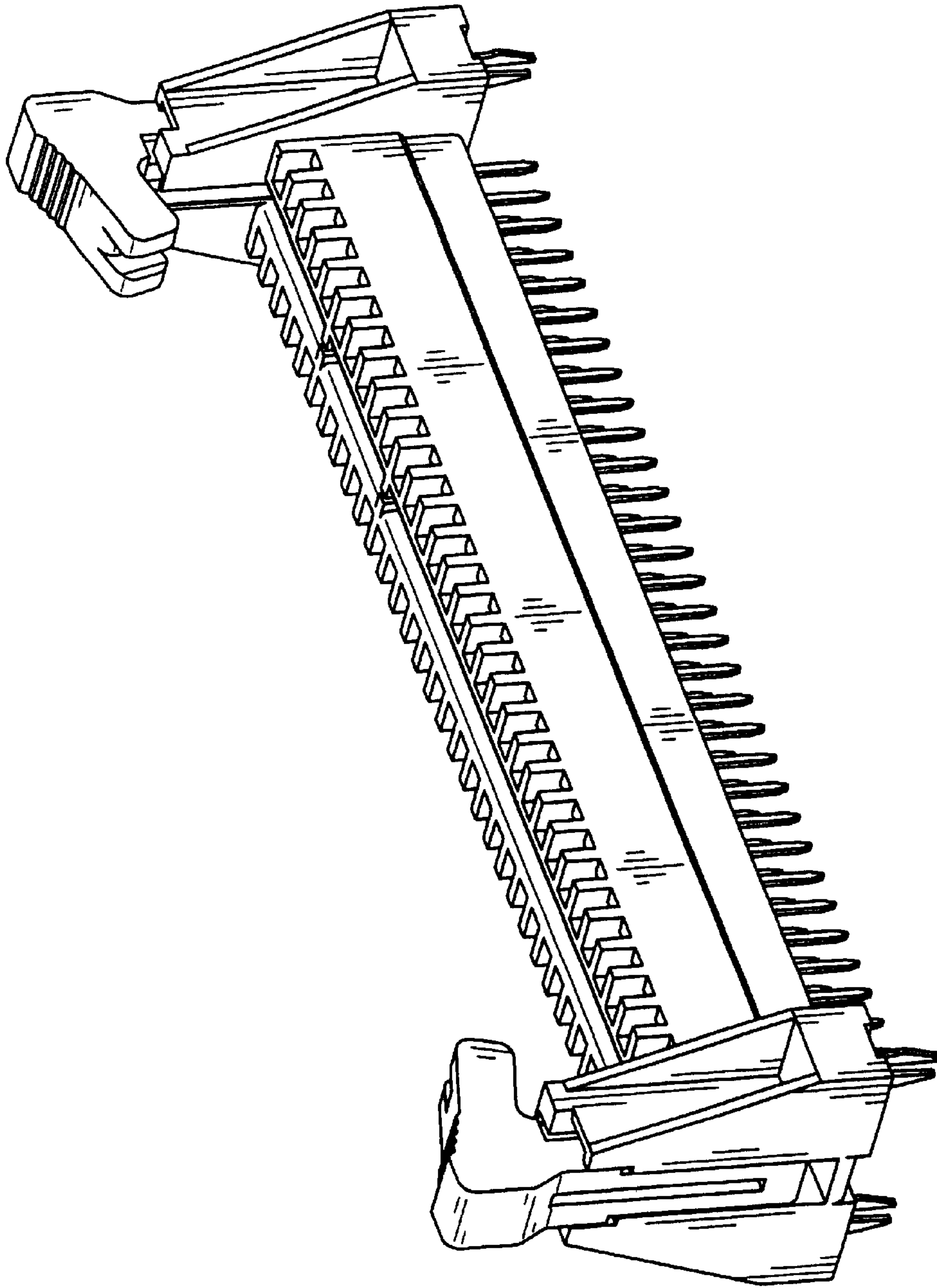


FIG. 1

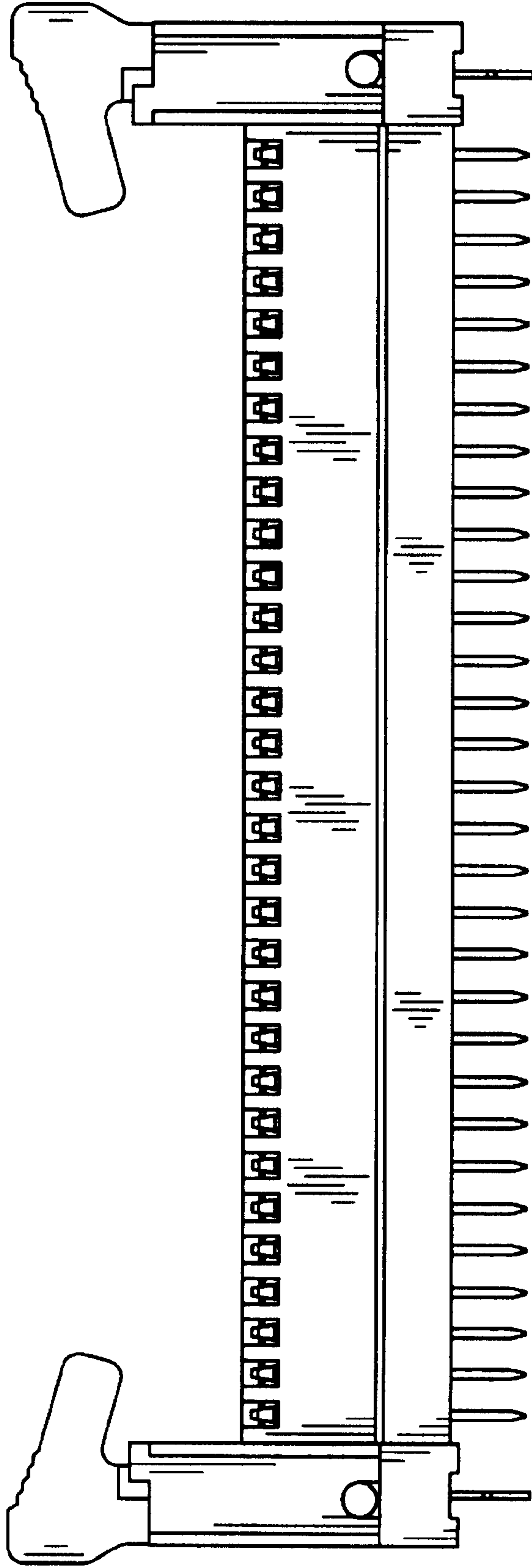


FIG. 2

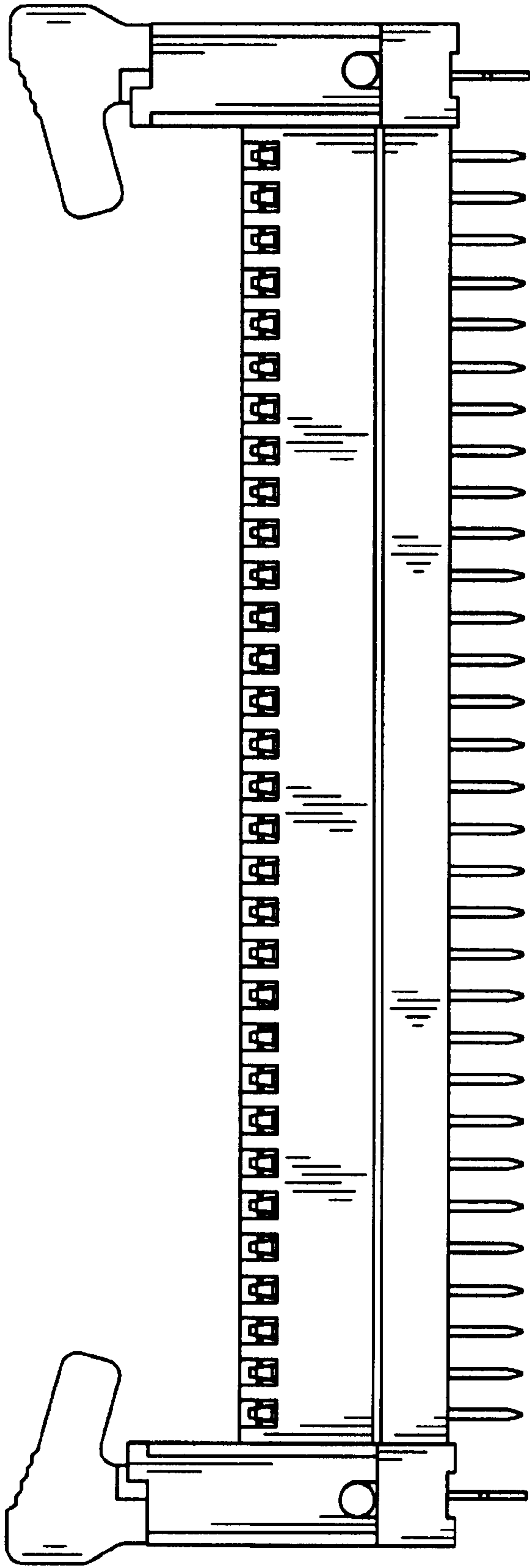


FIG. 3

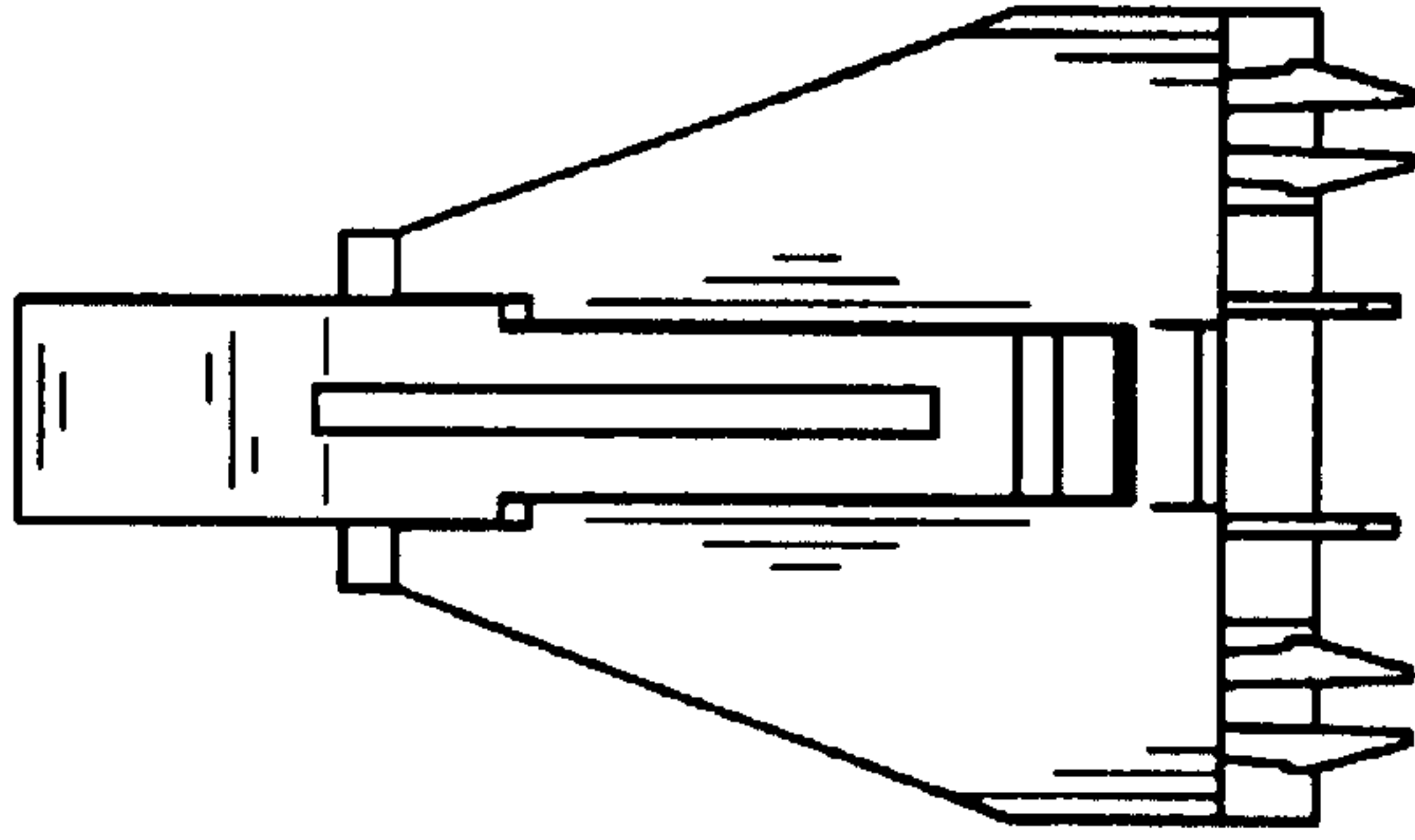


FIG. 5

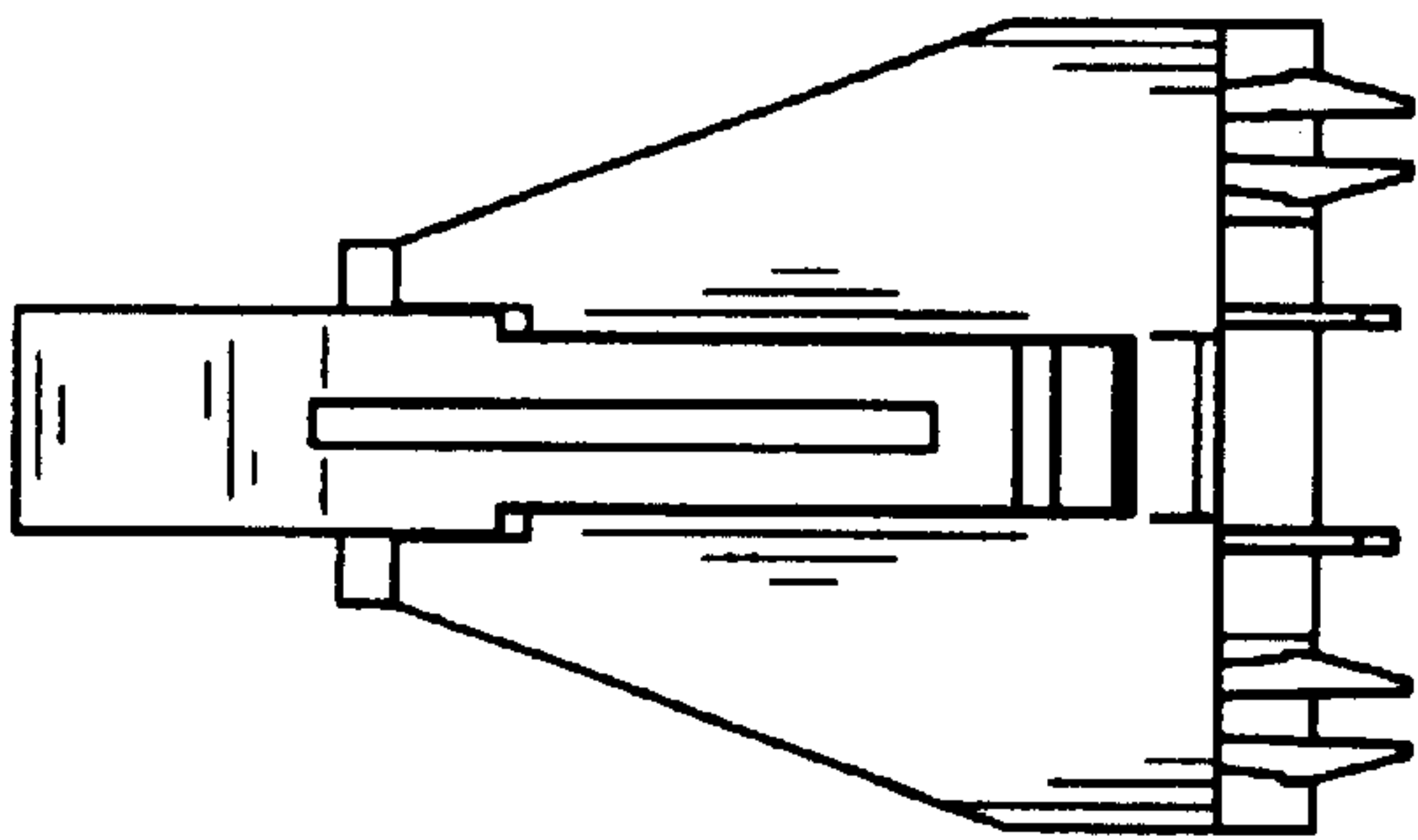


FIG. 4

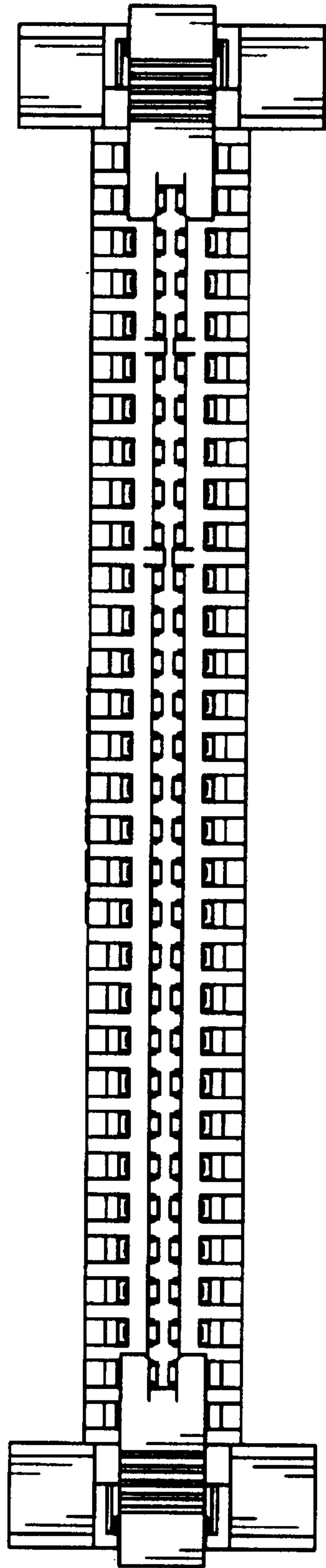


FIG. 6

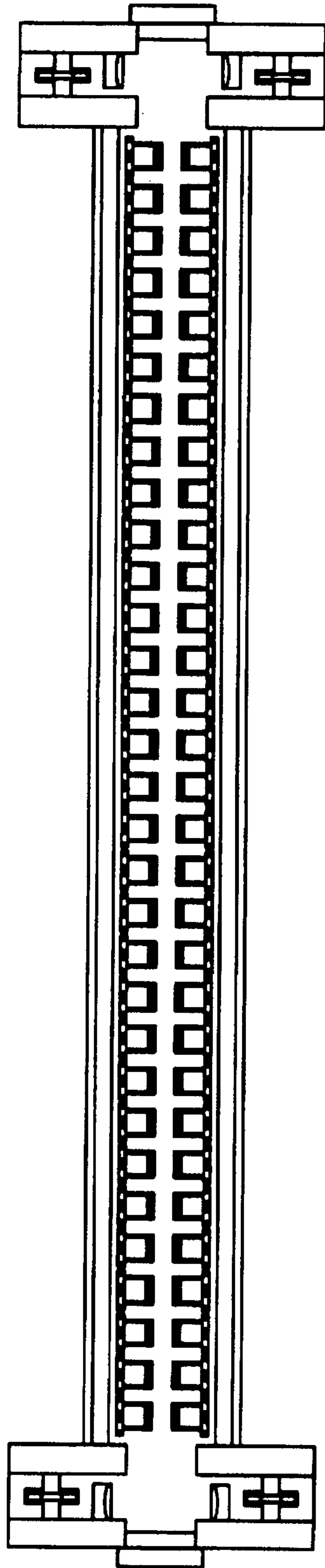


FIG. 7