



US00D491147S

(12) **United States Design Patent**
Ji

(10) **Patent No.:** **US D491,147 S**

(45) **Date of Patent:** **** Jun. 8, 2004**

(54) **CABLE CONNECTOR ASSEMBLY**

(75) Inventor: **Renhua Ji**, Kunsan (CN)

(73) Assignee: **Hon Hai Precision Ind. Co., Ltd.**,
Taipei Hsien (TW)

(**) Term: **14 Years**

(21) Appl. No.: **29/182,394**

(22) Filed: **May 23, 2003**

(30) **Foreign Application Priority Data**

May 9, 2003 (TW) 92302921

(51) **LOC (7) Cl.** **13-03**

(52) **U.S. Cl.** **D13/147**

(58) **Field of Search** D13/146, 147,
D13/154; 439/79, 101, 108, 582, 607-610,
660, 668, 676, 680, 682, 694, 844, 854,
855, 902

(56) **References Cited**

U.S. PATENT DOCUMENTS

4,632,486 A * 12/1986 Hasircoglu 439/394

6,068,502 A * 5/2000 Kuo 439/353
D479,200 S * 9/2003 Liu et al. D13/147
D479,508 S * 9/2003 Wang et al. D13/147

* cited by examiner

Primary Examiner—Mitchell Siegel
Assistant Examiner—Selina Sikder
(74) *Attorney, Agent, or Firm*—Wei Te Chung

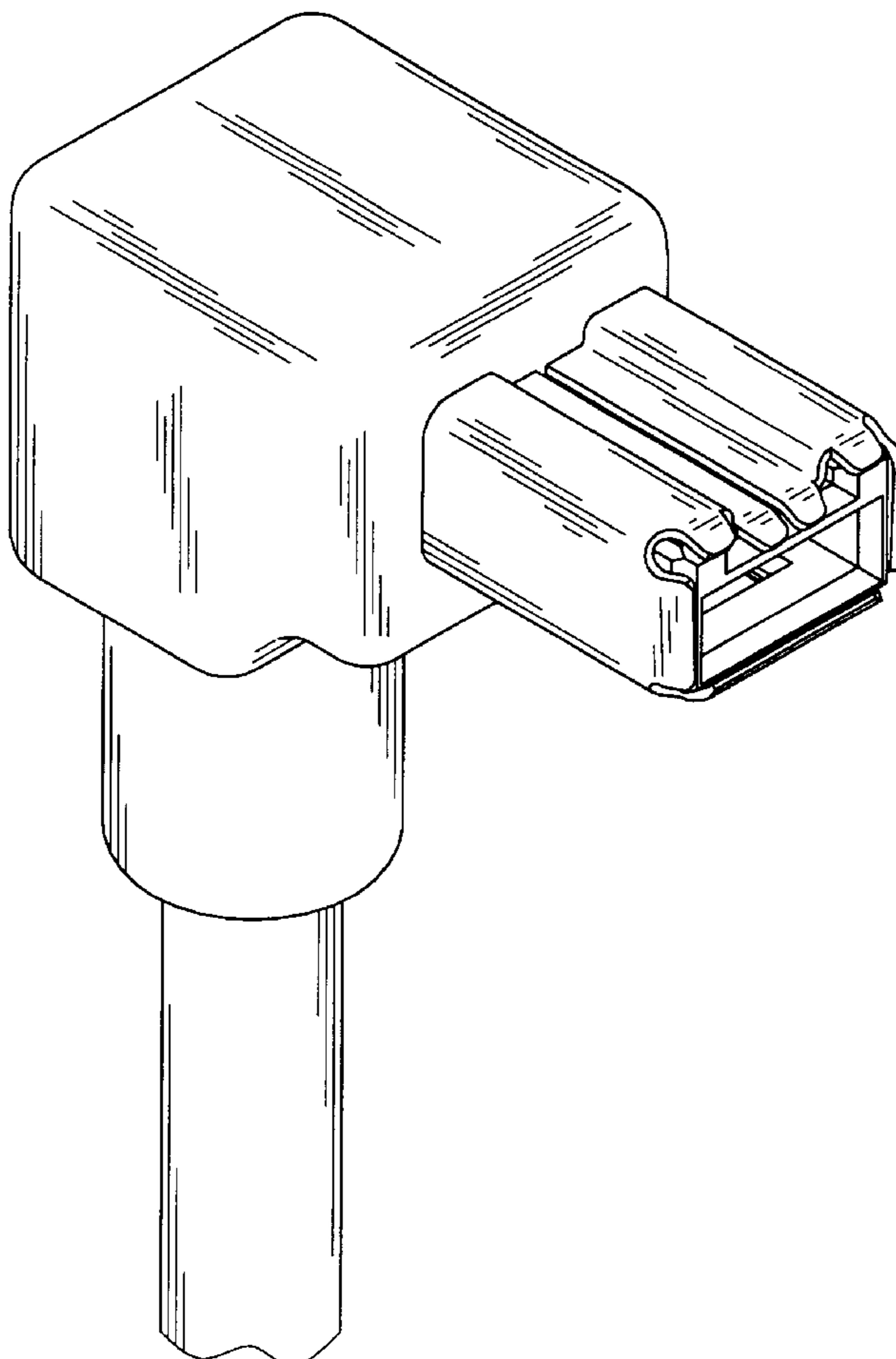
(57) **CLAIM**

The ornamental design for a cable connector assembly, as shown.

DESCRIPTION

FIG. 1 is a front, top and left side perspective view of a cable connector assembly showing my new design; FIG. 2 is a front elevational view of FIG. 1; FIG. 3 is a rear elevational view of FIG. 1; FIG. 4 is a left side elevational view of FIG. 1; FIG. 5 is a right side elevational view of FIG. 1; FIG. 6 is a top plan view of FIG. 1; and, FIG. 7 is a bottom plan view of FIG. 1.

1 Claim, 7 Drawing Sheets



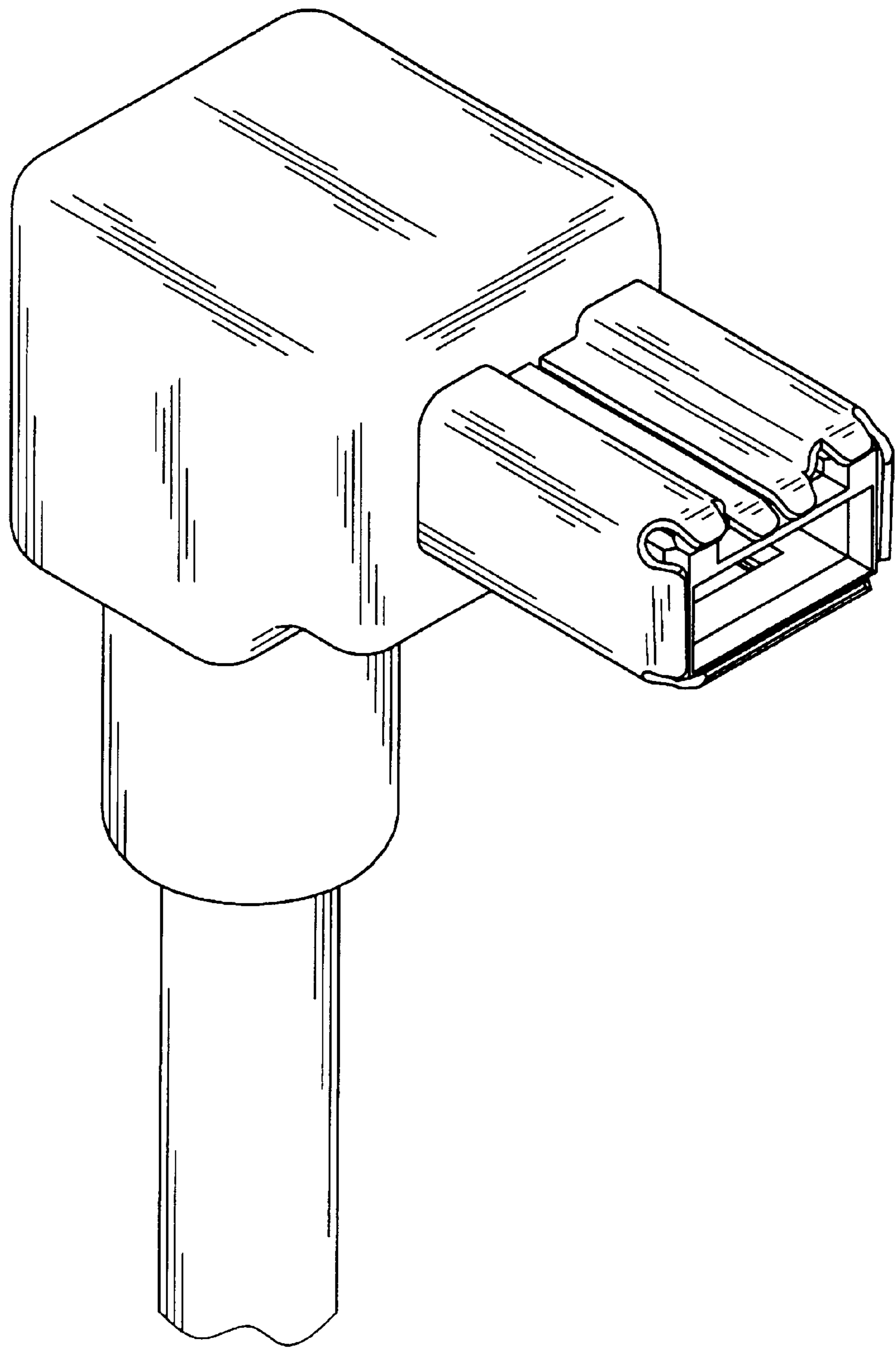


FIG. 1

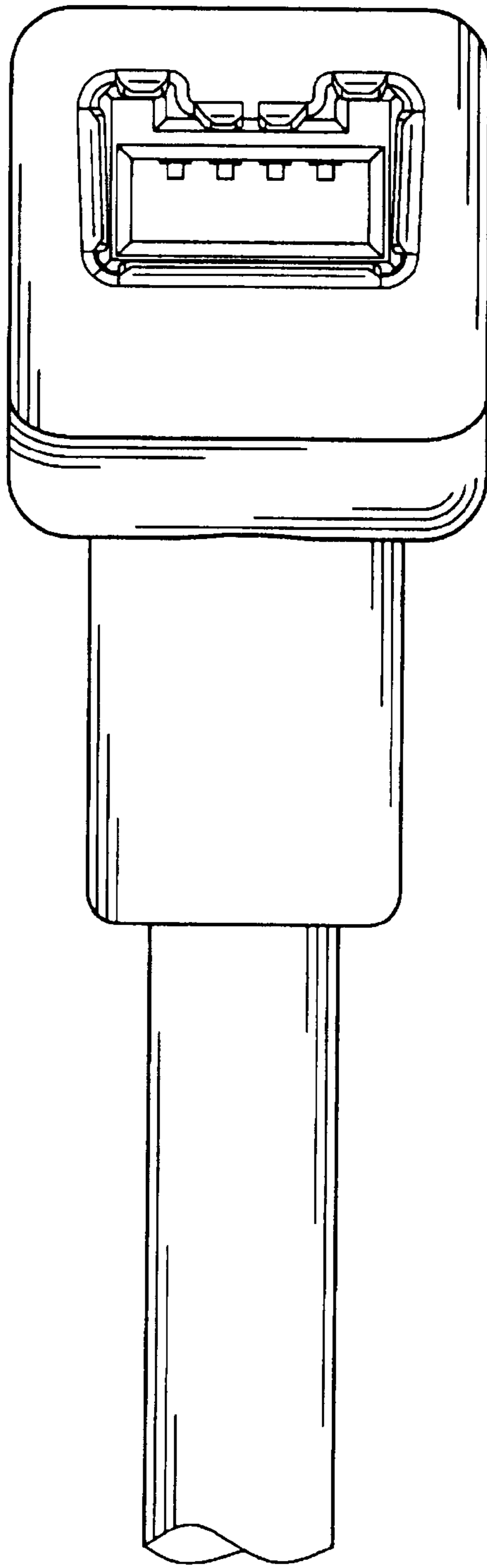


FIG. 2

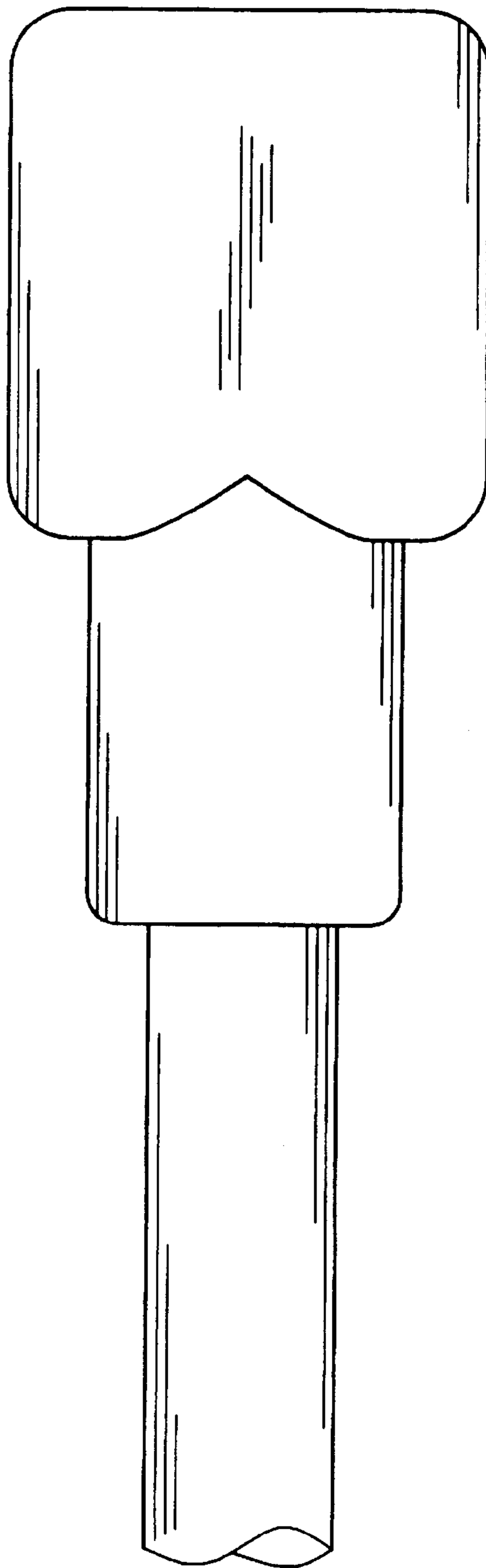


FIG. 3

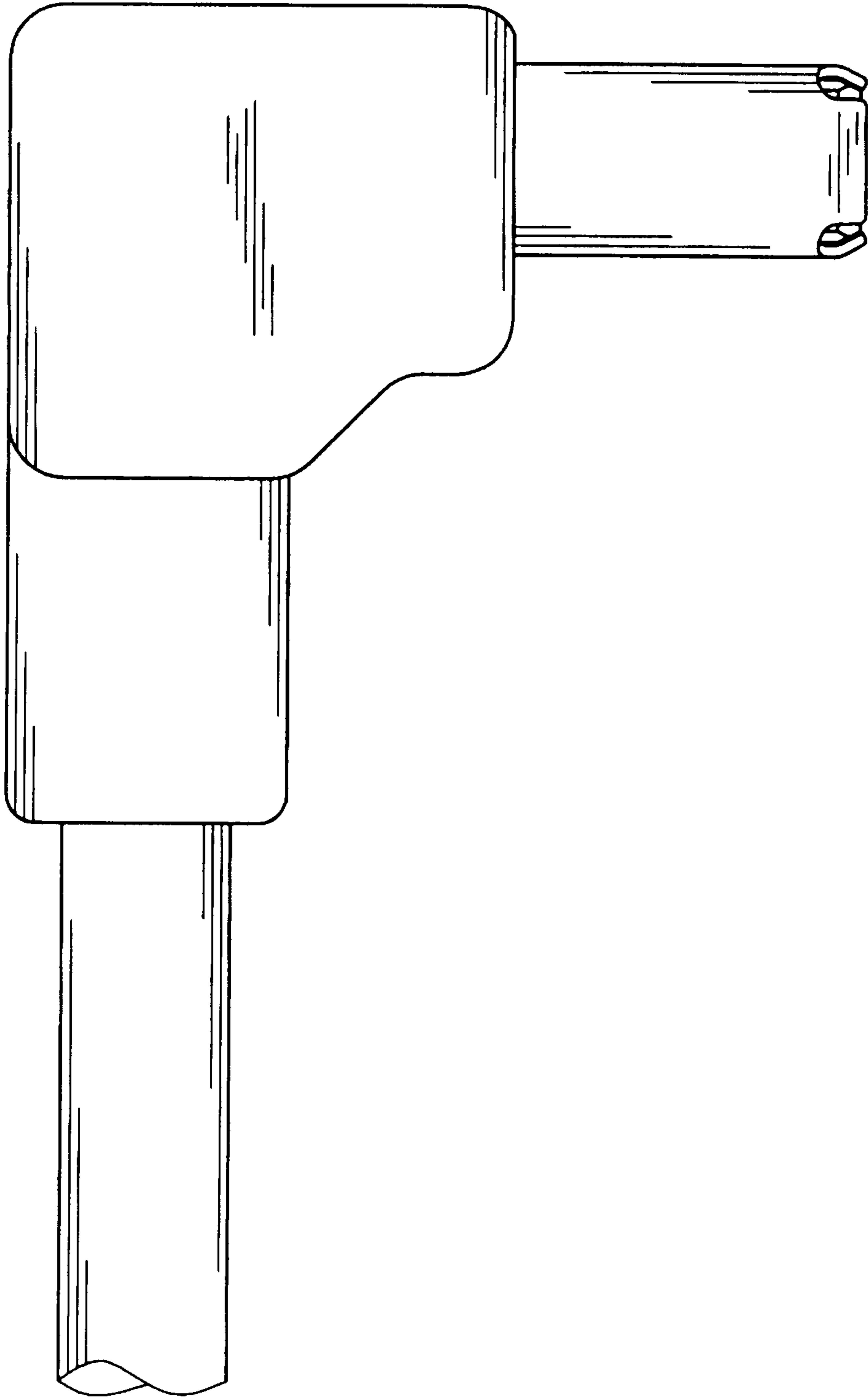


FIG. 4

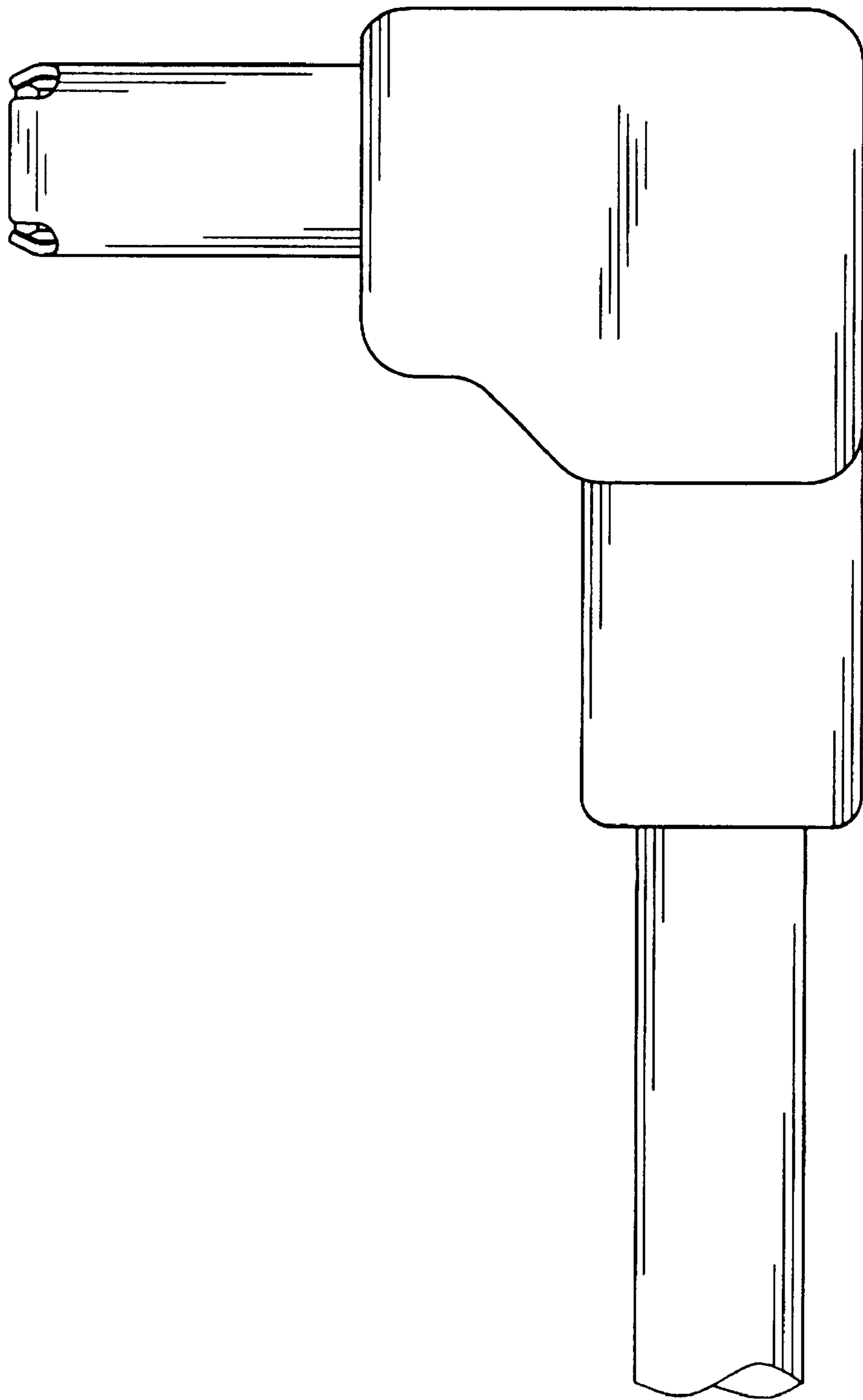


FIG. 5

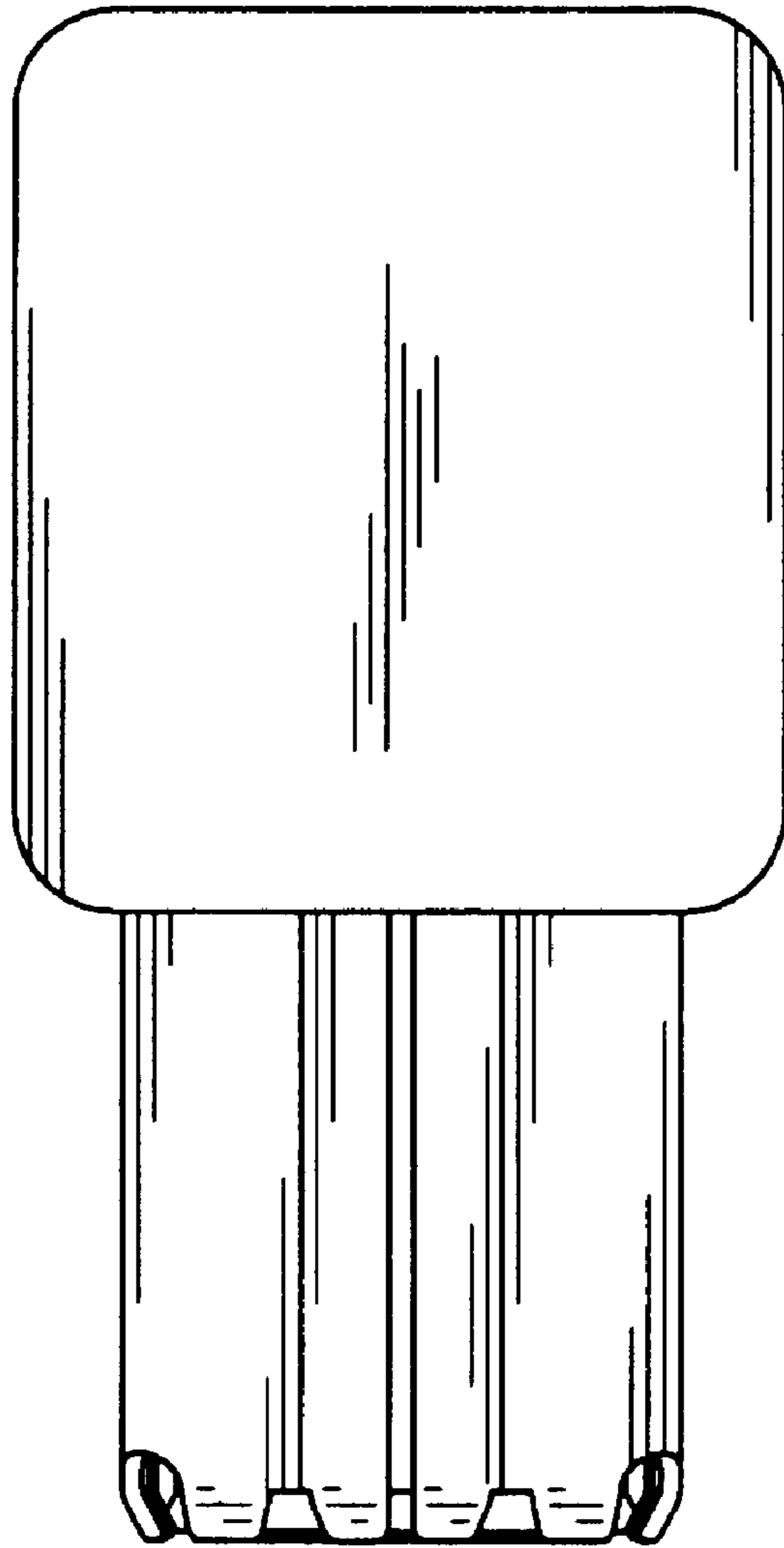


FIG. 6

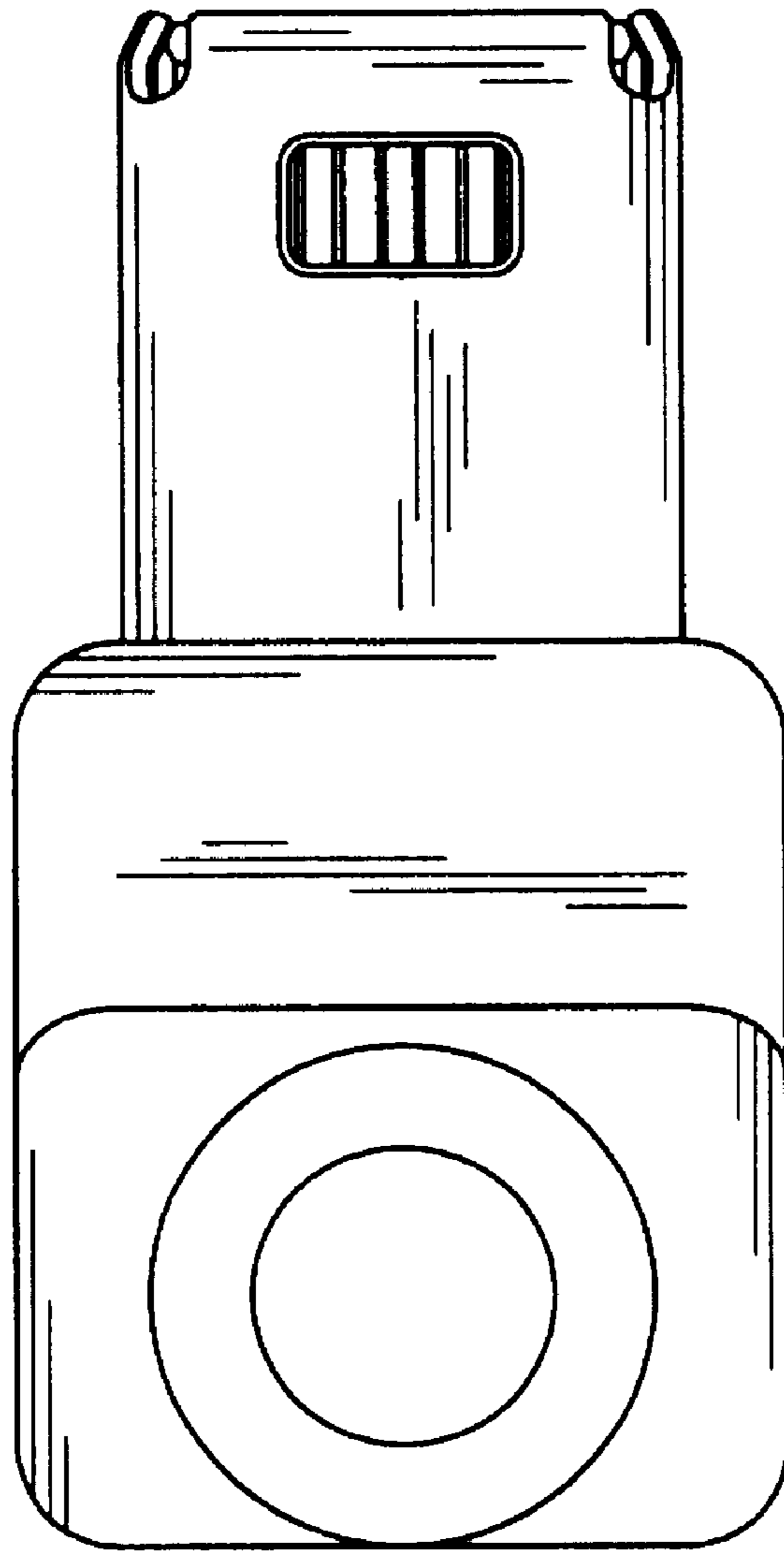


FIG. 7