



US00D491146S

(12) **United States Design Patent**
Hu et al.

(10) **Patent No.:** **US D491,146 S**

(45) **Date of Patent:** **** Jun. 8, 2004**

(54) **ELECTRICAL CONNECTOR**

(75) Inventors: **Jinkui Hu**, Kunsan (CN); **Guohua Zhang**, Kunsan (CN); **ZiQiang Zhu**, Kunsan (CN)

(73) Assignee: **Hon Hai Precision Ind. Co., Ltd.**, Taipei Hsien (TW)

(**) Term: **14 Years**

(21) Appl. No.: **29/181,543**

(22) Filed: **May 12, 2003**

(30) **Foreign Application Priority Data**

Apr. 30, 2003 (TW) 92302498

(51) **LOC (7) Cl.** **13-03**

(52) **U.S. Cl.** **D13/147**

(58) **Field of Search** D13/146, 147;
439/63, 78, 79, 95, 108, 188, 540.1, 540.5,
544, 553, 557, 607-610, 638, 620, 676,
717

(56) **References Cited**

U.S. PATENT DOCUMENTS

D410,434 S * 6/1999 Wu D13/147

D414,464 S * 9/1999 Wu D13/146
D425,867 S * 5/2000 Lok D13/147
6,347,961 B2 * 2/2002 Zhu et al. 439/607
D465,457 S * 11/2002 Hu et al. D13/147

* cited by examiner

Primary Examiner—Mitchell Siegel

Assistant Examiner—Selina Sikder

(74) *Attorney, Agent, or Firm*—Wei Te Chung

(57) **CLAIM**

The ornamental design for an electrical connector, as shown.

DESCRIPTION

FIG. 1 is a front, top and right side perspective view of an electrical connector showing our new design;

FIG. 2 is a front elevational view thereof;

FIG. 3 is a rear elevational view thereof;

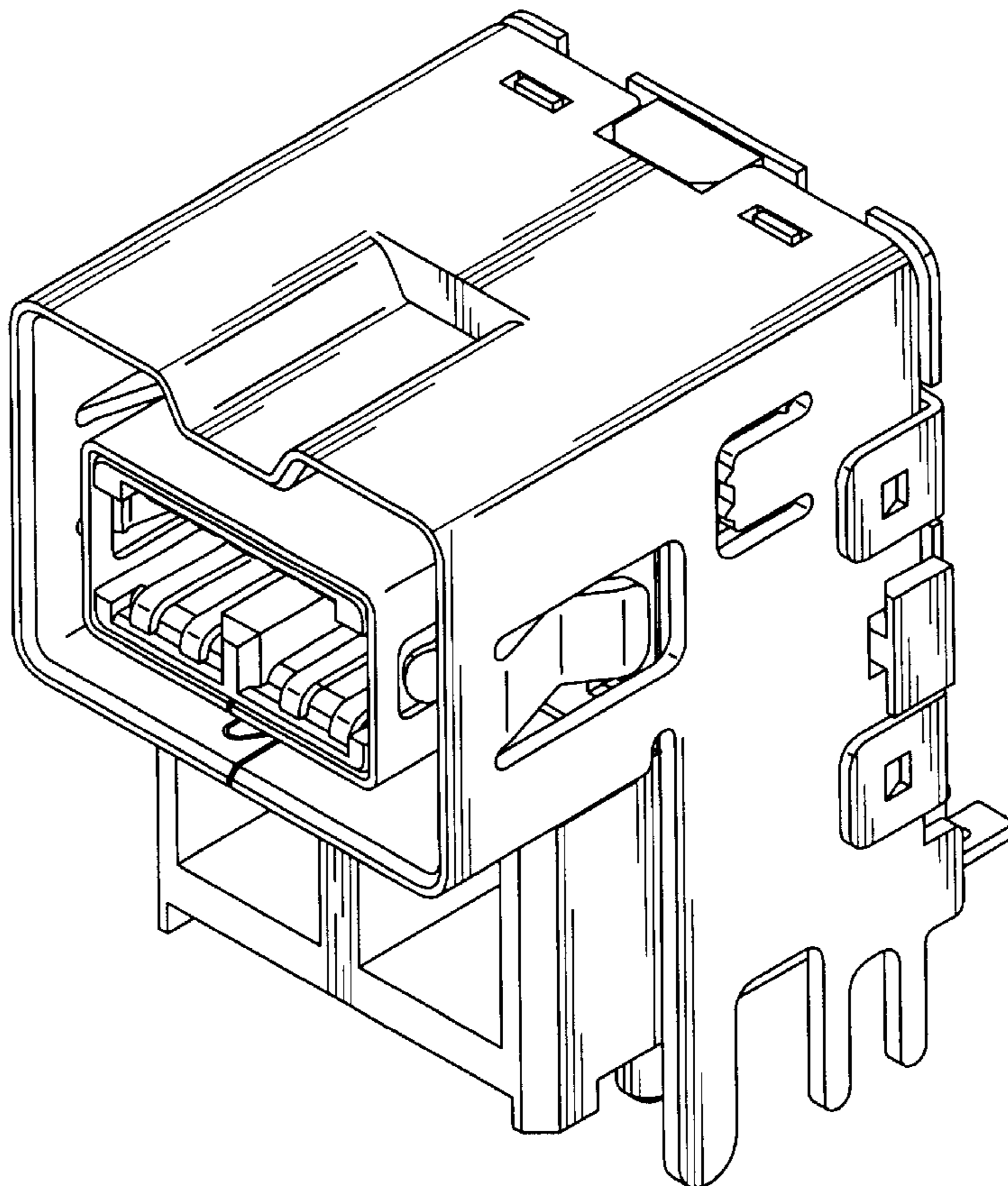
FIG. 4 is a left side elevational view thereof;

FIG. 5 is a right side elevational view thereof;

FIG. 6 is a top plan view thereof; and,

FIG. 7 is a bottom plan view thereof.

1 Claim, 7 Drawing Sheets



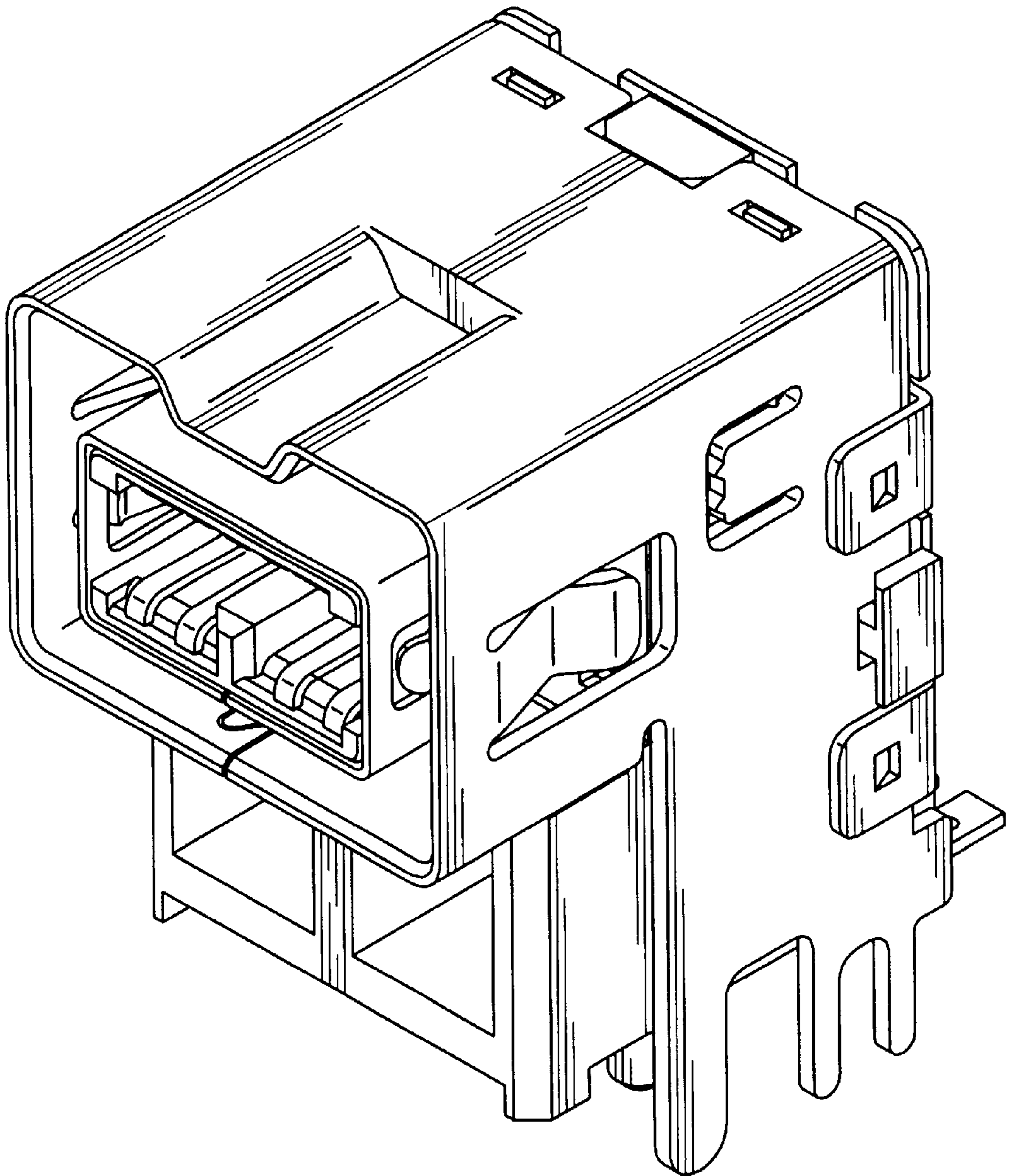


FIG. 1

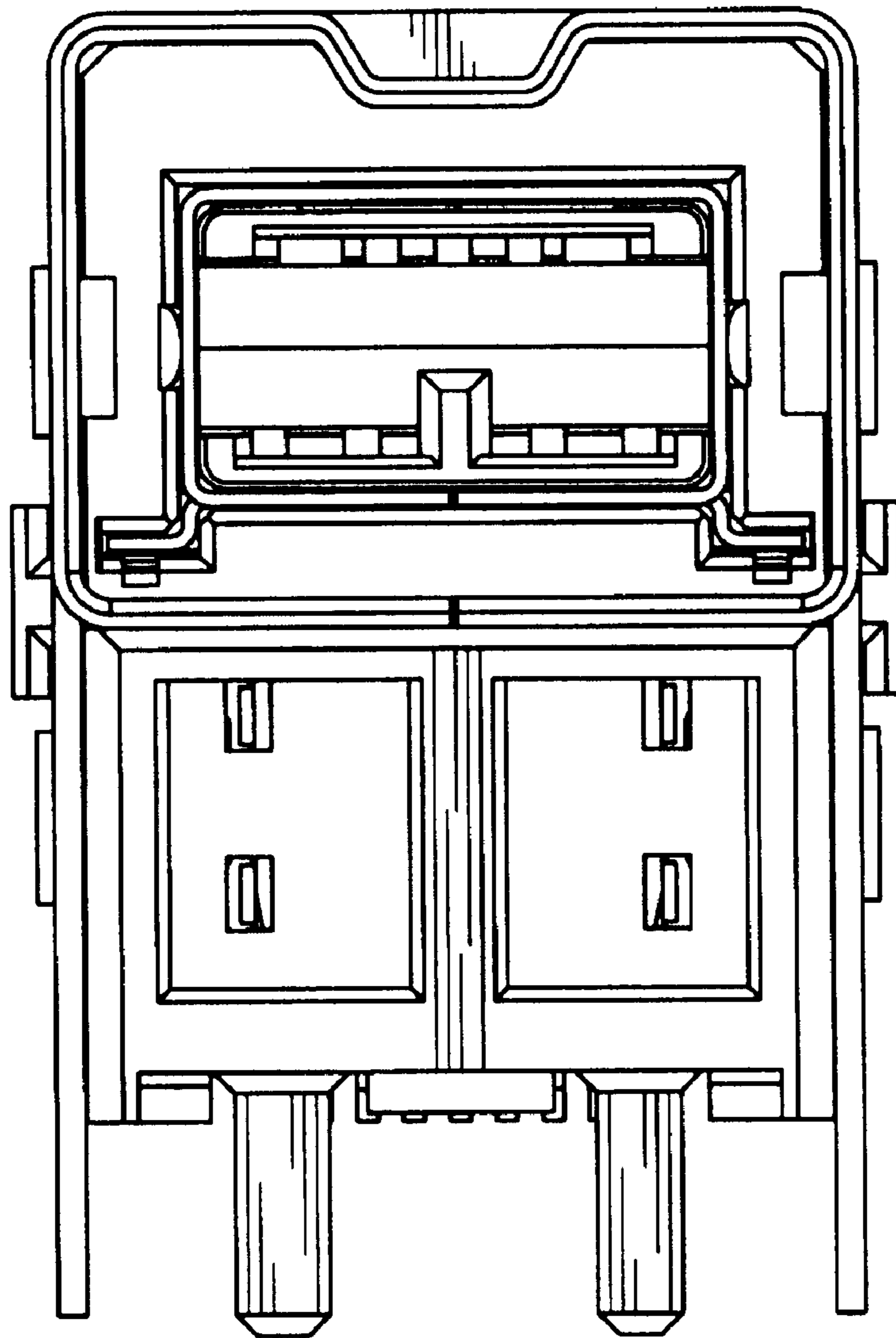


FIG. 2

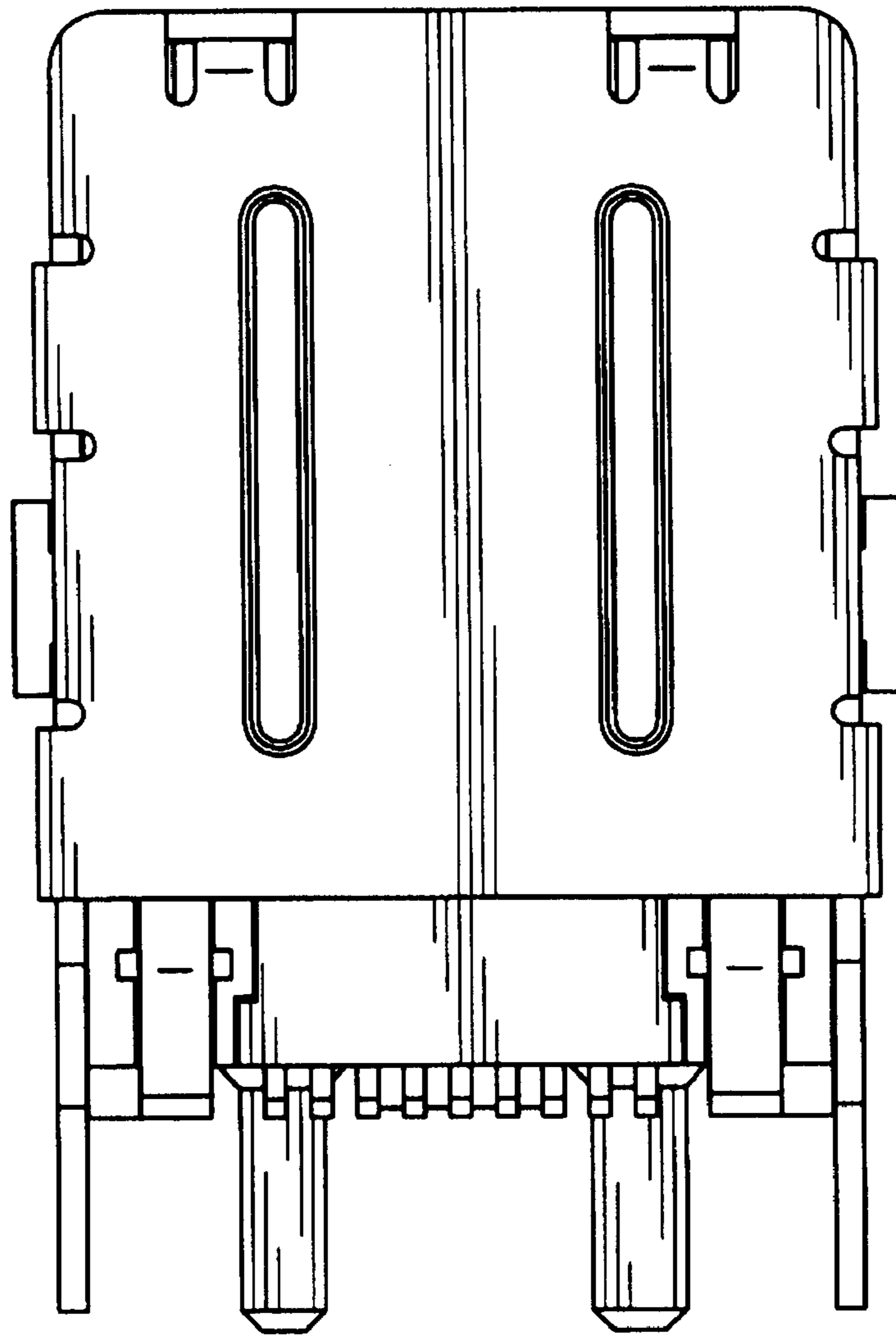


FIG. 3

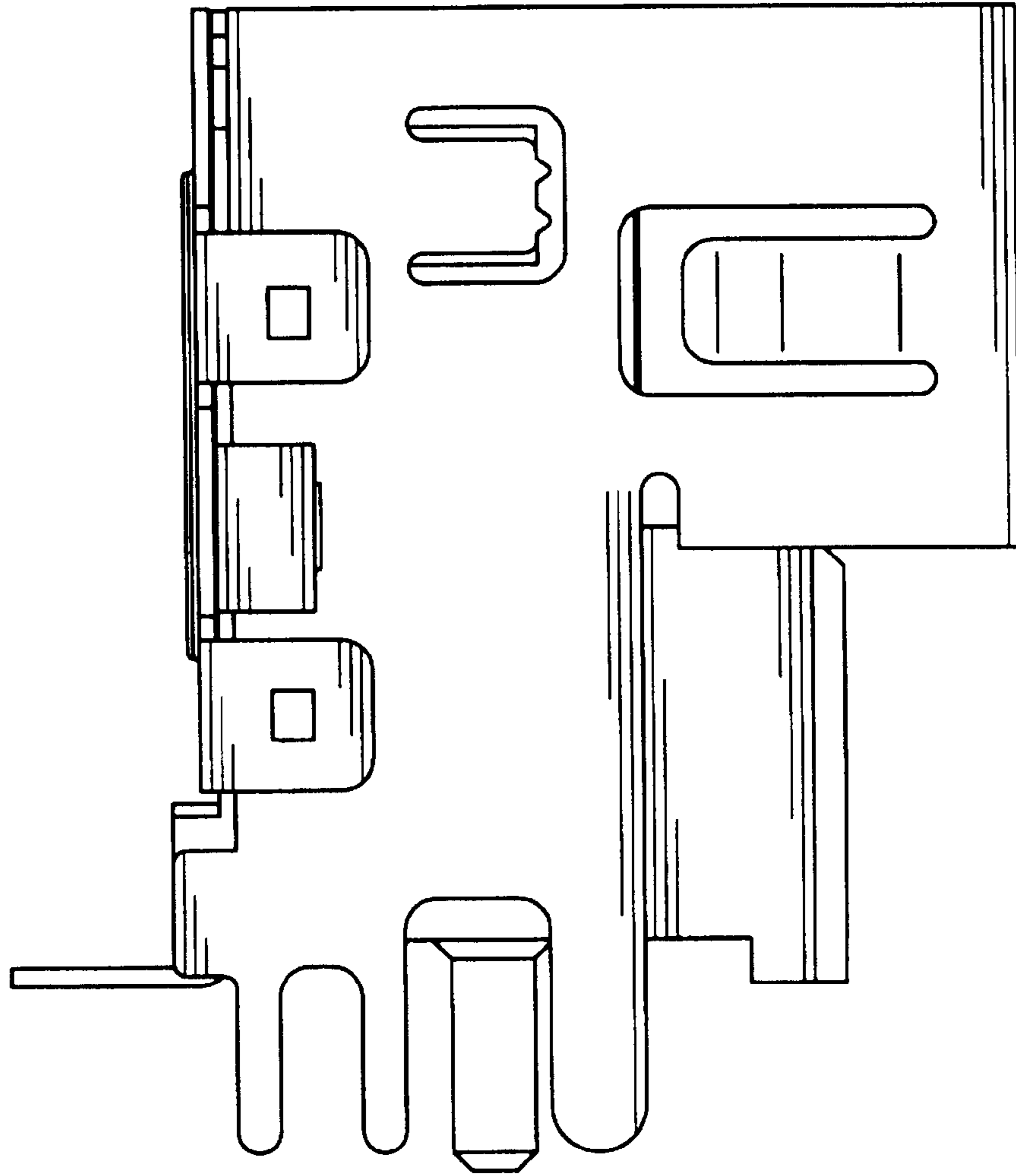


FIG. 4

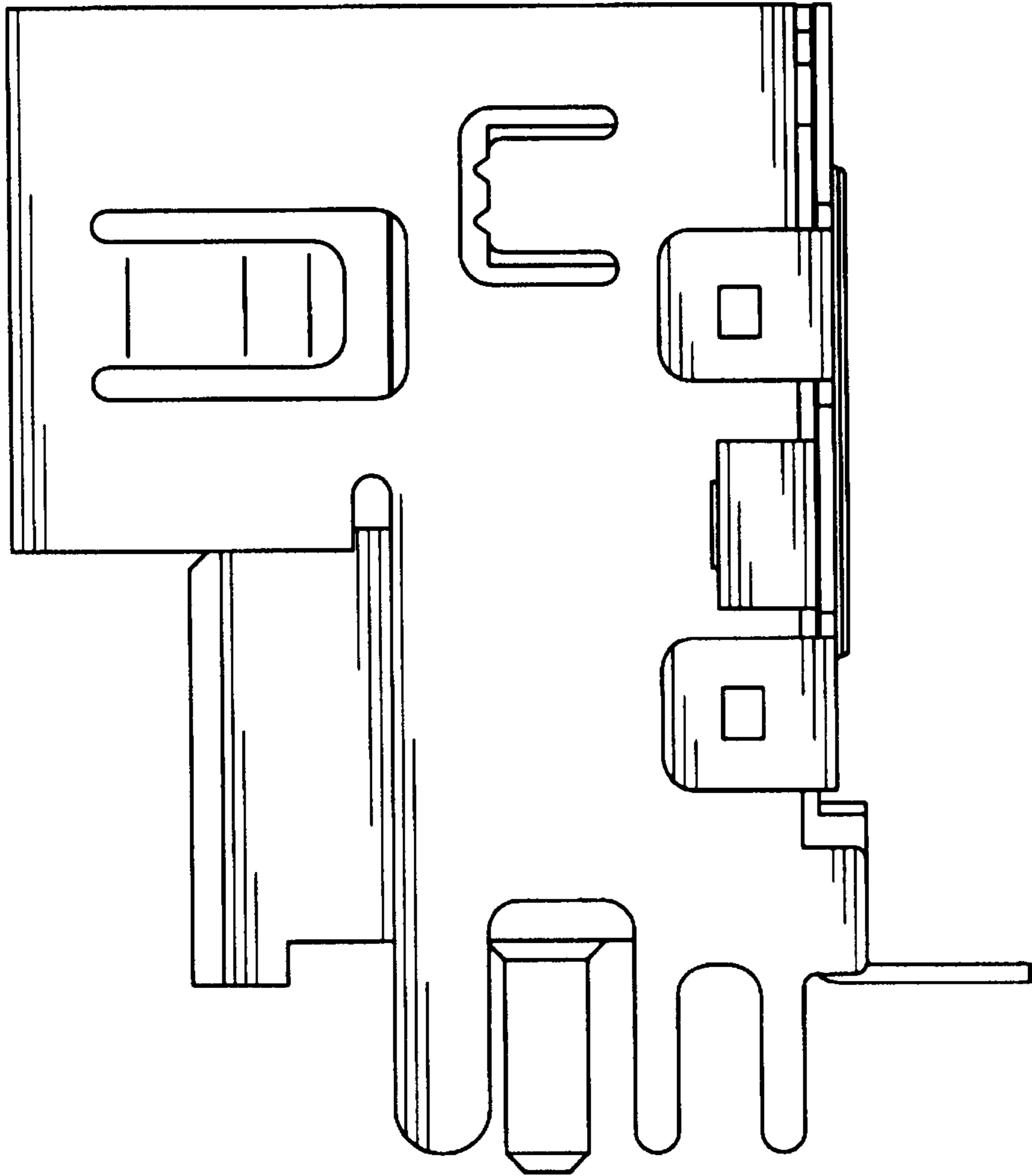


FIG. 5

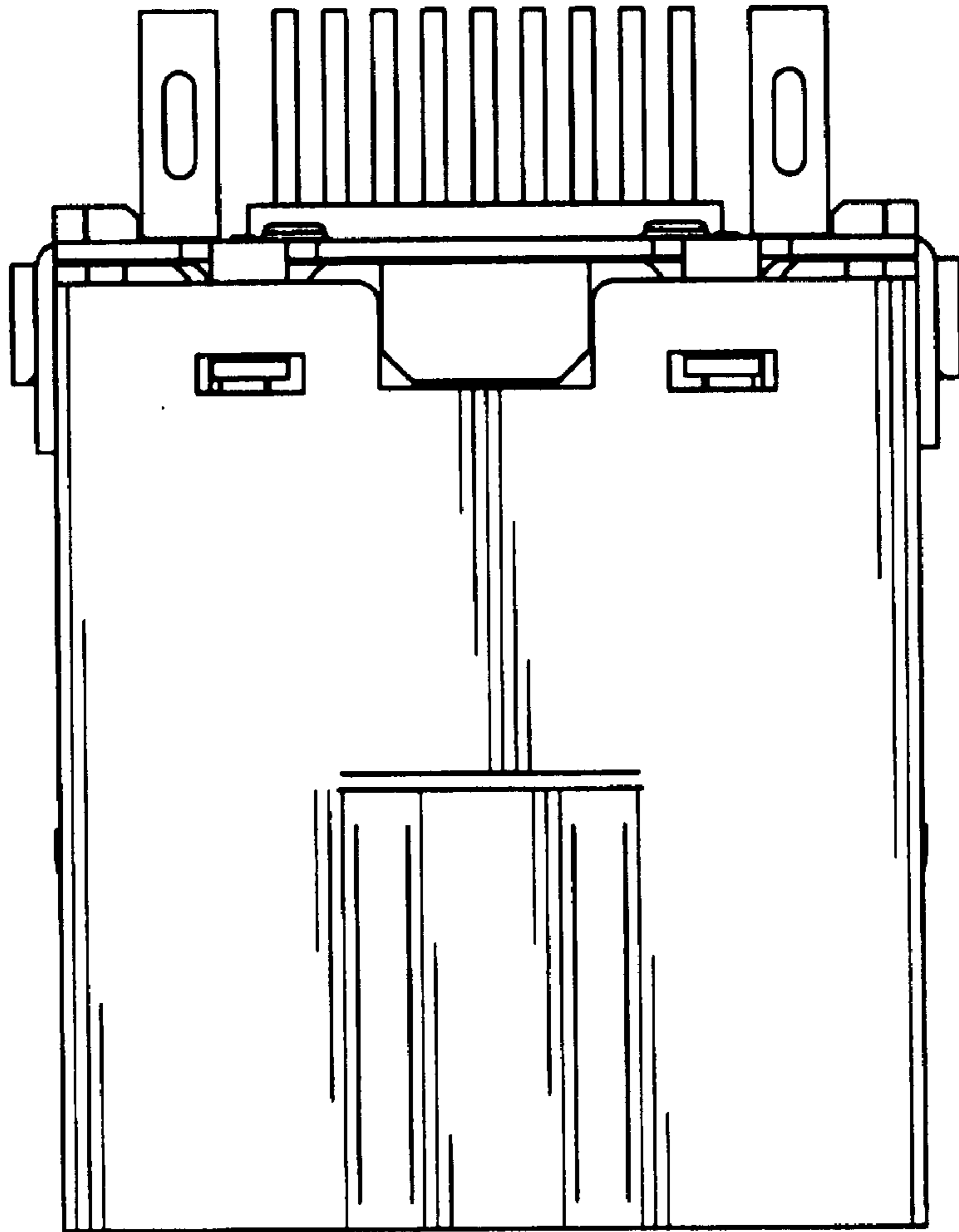


FIG. 6

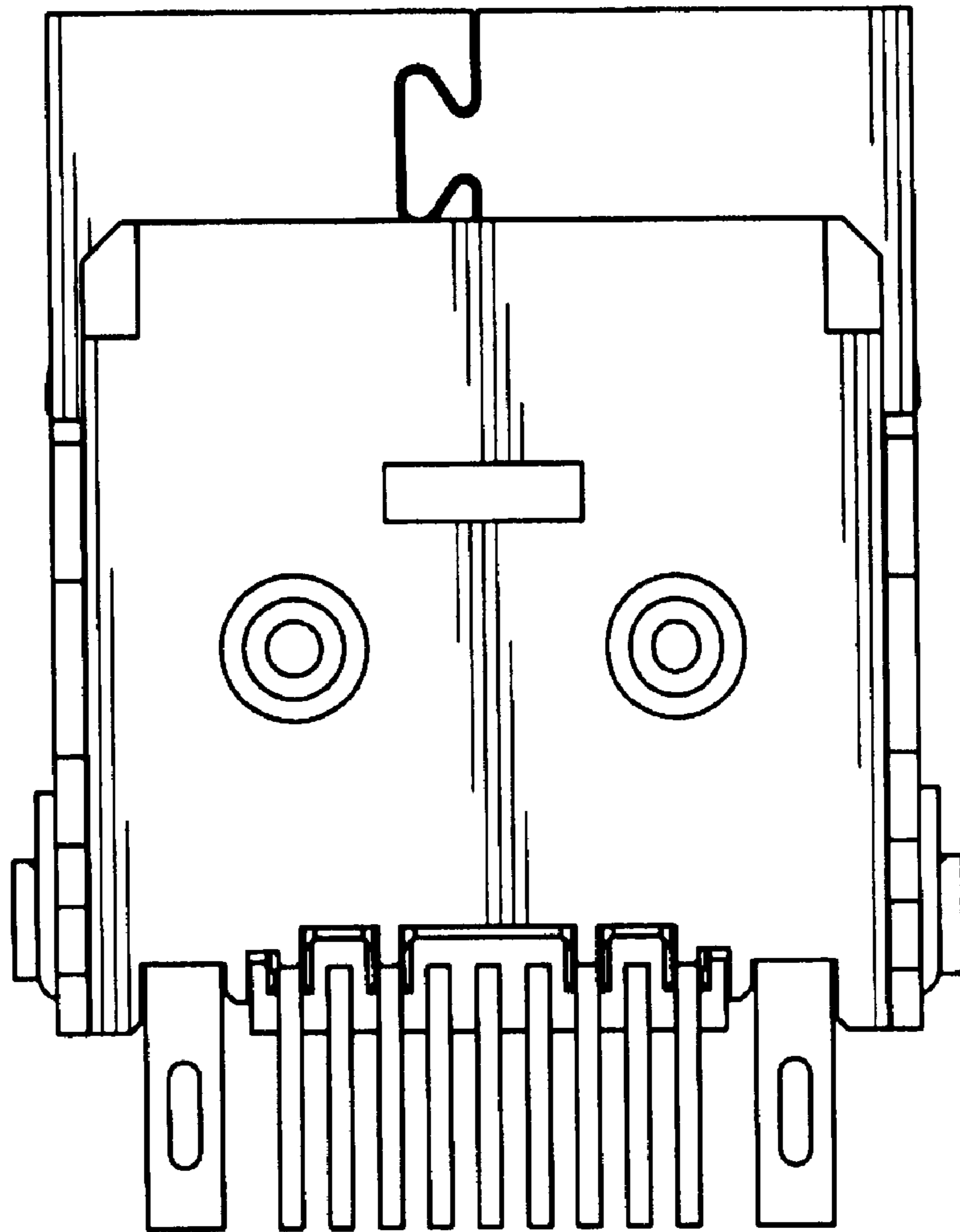


FIG. 7