



US00D491142S

(12) **United States Design Patent**
Stekelenburg

(10) **Patent No.:** **US D491,142 S**

(45) **Date of Patent:** **** Jun. 8, 2004**

(54) **PLUG**

(75) **Inventor:** **Albert Stekelenburg, Taipei (TW)**

(73) **Assignee:** **All-Line Inc., Taipei (TW)**

(**) **Term:** **14 Years**

(21) **Appl. No.:** **29/188,128**

(22) **Filed:** **Aug. 14, 2003**

(51) **LOC (7) Cl.** **13-02**

(52) **U.S. Cl.** **D13/138.1**

(58) **Field of Search** **D13/138.1, 138.2;**
439/11, 13, 31

(56) **References Cited**

U.S. PATENT DOCUMENTS

- 2,305,101 A * 12/1942 O'Brien 439/31
- 3,474,376 A * 10/1969 Preiss 439/31
- 3,497,850 A * 2/1970 Gallo, Sr. 439/651

D308,962 S * 7/1990 Duk D13/138.1

5,658,152 A * 8/1997 Selker 439/31

D408,786 S * 4/1999 Goto D13/138.1

6,663,396 B1 * 12/2003 Wang 439/31

2002/0090848 A1 * 7/2002 Yu 439/131

* cited by examiner

Primary Examiner—Joel Sincavage

(74) *Attorney, Agent, or Firm*—Troxell Law Office PLLC

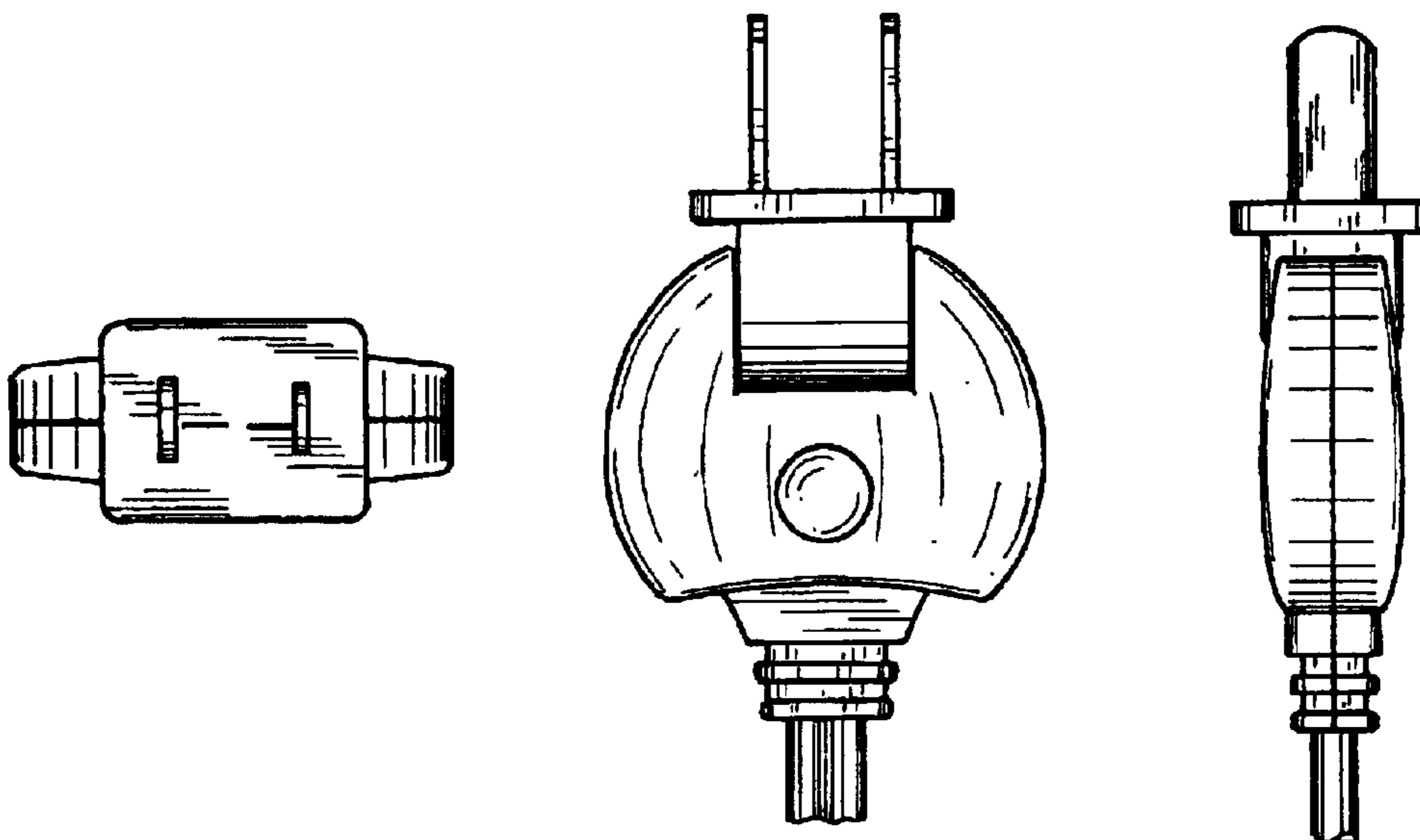
(57) **CLAIM**

The ornamental design for a plug, as shown and described.

DESCRIPTION

FIG. 1 is a top view of a plug showing of my new design;
FIG. 2 is a front view thereof;
FIG. 3 is a left side elevational view thereof;
FIG. 4 is a right side view thereof; and,
FIG. 5 is a bottom view thereof.

1 Claim, 1 Drawing Sheet



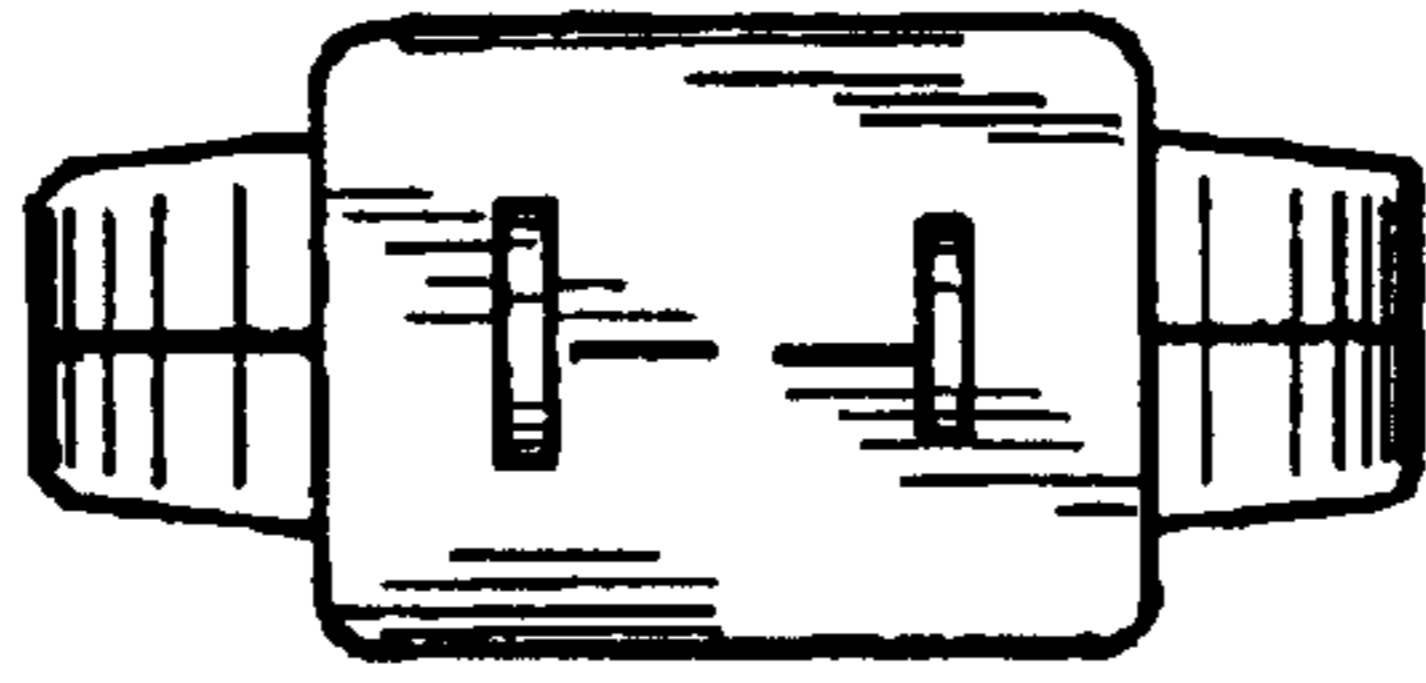


FIG. 1

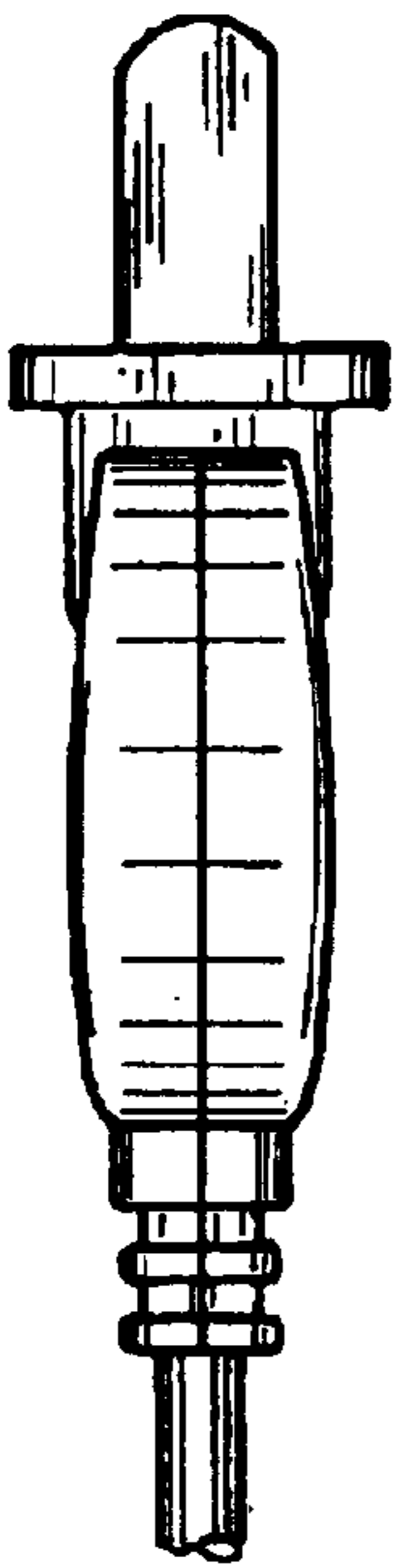


FIG. 3

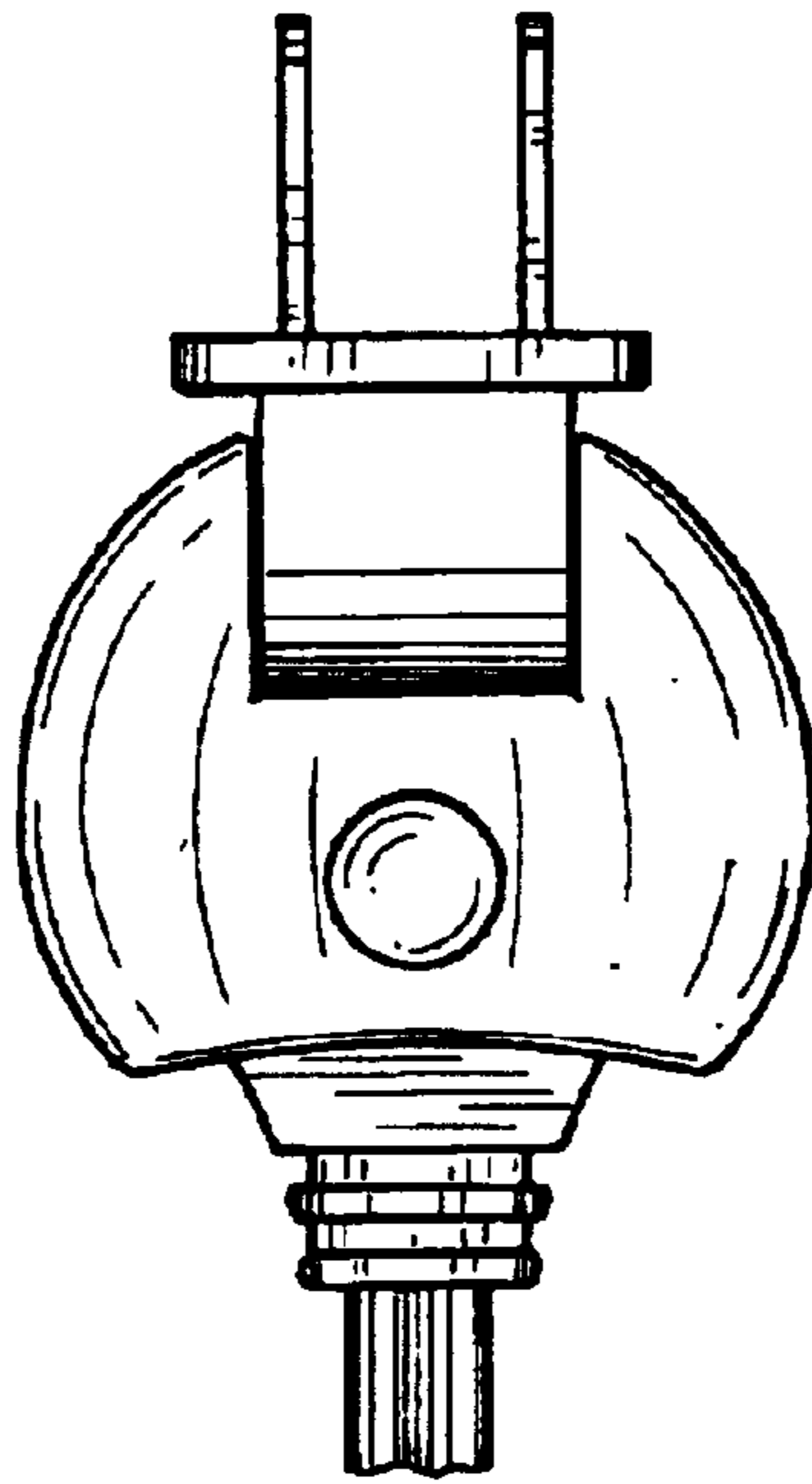


FIG. 2

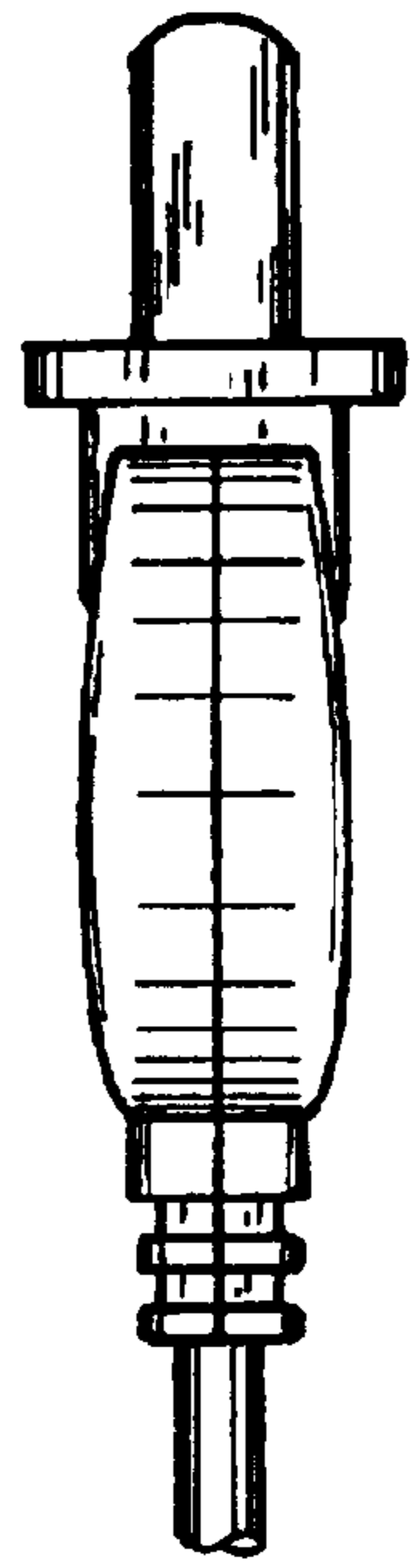


FIG. 4

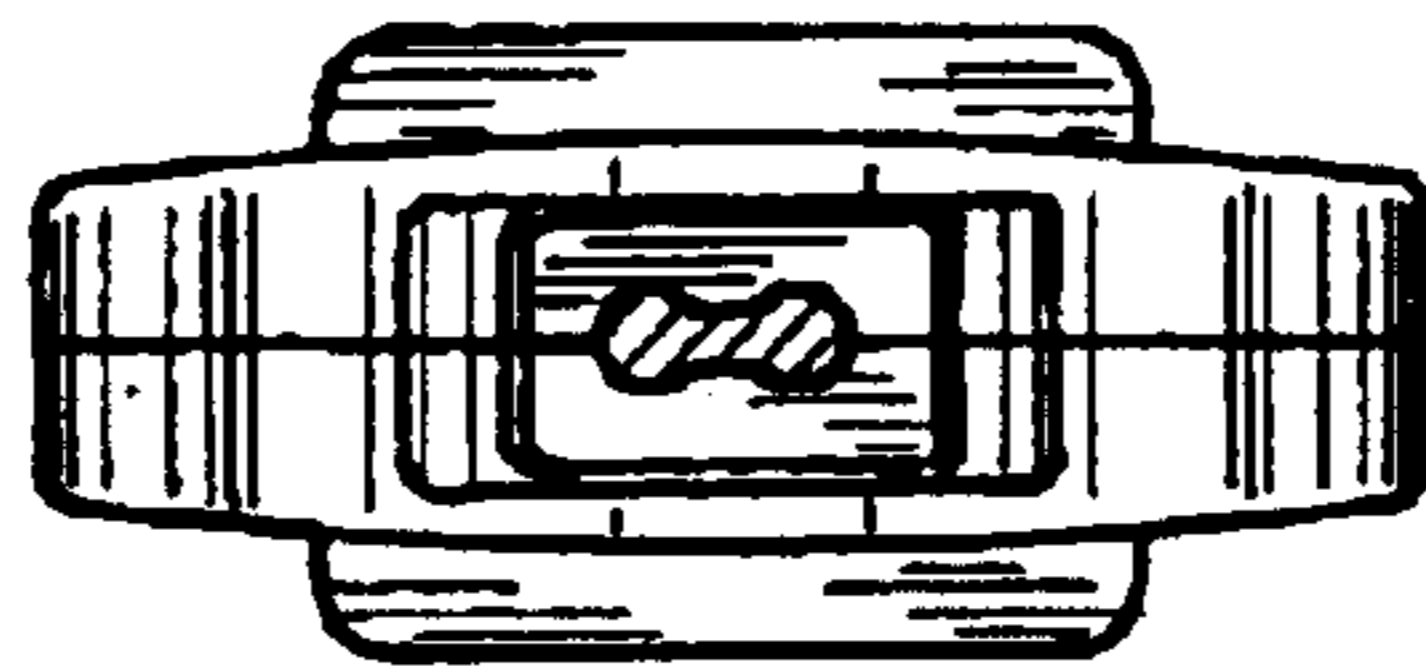


FIG. 5