



US00D491140S

(12) **United States Design Patent**
Krieger et al.

(10) **Patent No.: US D491,140 S**

(45) **Date of Patent: ** Jun. 8, 2004**

(54) **BATTERY CHARGER**

(75) Inventors: **Michael Krieger**, Miami Beach, FL
(US); **Kevin Ellsworth**, Hollywood, FL
(US)

(73) Assignee: **Vector Products, Inc.**, Ft. Lauderdale,
FL (US)

(**) Term: **14 Years**

(21) Appl. No.: **29/182,824**

(22) Filed: **Jun. 3, 2003**

(51) **LOC (7) Cl.** **13-02**

(52) **U.S. Cl.** **D13/107**

(58) **Field of Search** 213/107, 108,
213/110, 118; 320/104, 105, 110, 115; 439/501,
504

(56) **References Cited**

U.S. PATENT DOCUMENTS

4,990,144 A	*	2/1991	Blott	604/304
D330,187 S	*	10/1992	Shimoo et al.	D13/107
D393,446 S	*	4/1998	Bellofatto et al.	D13/106
6,215,273 B1	*	4/2001	Shy	320/105
D444,122 S	*	6/2001	Krieger et al.	D13/107

D444,125 S	*	6/2001	Shy	D13/110
D446,500 S	*	8/2001	Krieger et al.	D13/110
D469,401 S	*	1/2003	Griffey et al.	D13/110
D474,151 S	*	5/2003	James et al.	D13/110 X
2001/0043052 A1	*	11/2001	Griffey et al.	320/114
2003/0149496 A1	*	8/2003	Johnson	700/91

* cited by examiner

Primary Examiner—Joel Sincavage

(74) *Attorney, Agent, or Firm*—Venable LLP; Robert Kinberg

(57) **CLAIM**

The ornamental design for a battery charger, as shown and described.

DESCRIPTION

FIG. 1 is a perspective view from the front-top-left side of the battery charger showing a first embodiment of our new design;

FIG. 2 is a front view of the design shown in FIG. 1;

FIG. 3 is a rear view of the design shown in FIG. 1;

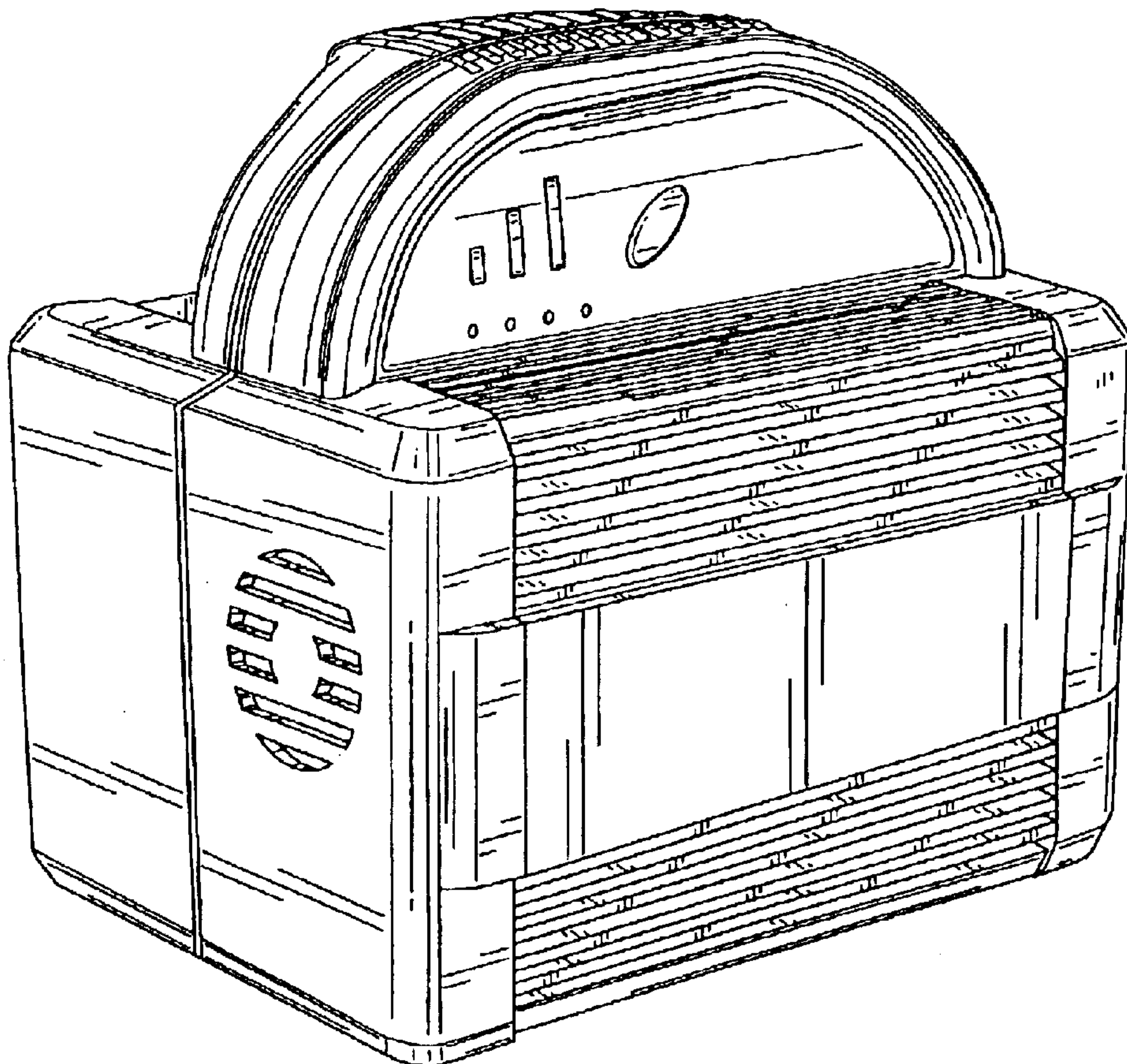
FIG. 4 is a left side view of the design shown in FIG. 1;

FIG. 5 is a right side view of the design shown in FIG. 1;

FIG. 6 is a top view of the design shown in FIG. 1; and,

FIG. 7 is a bottom view of the design shown in FIG. 1.

1 Claim, 7 Drawing Sheets



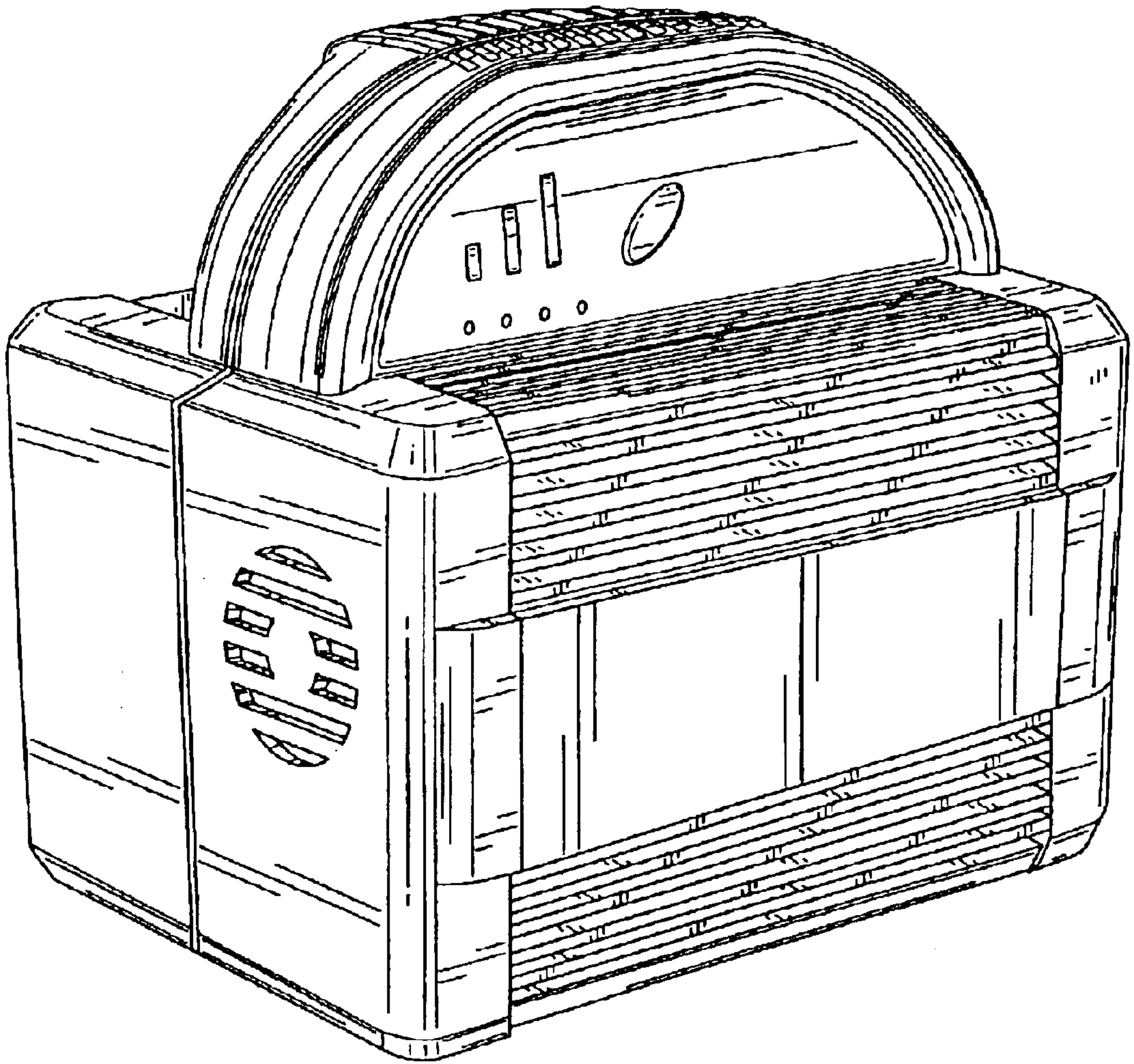


FIG. 1

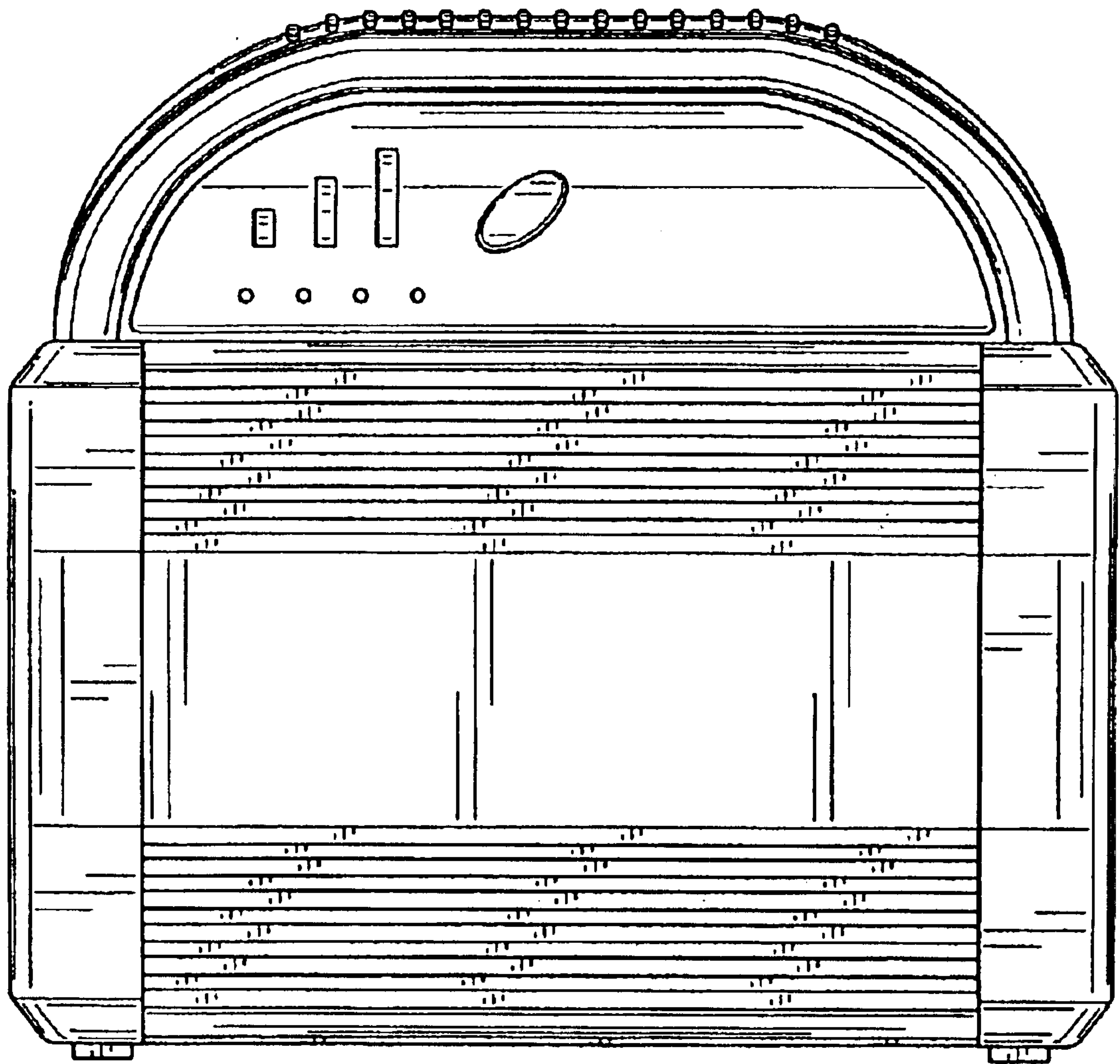


FIG. 2

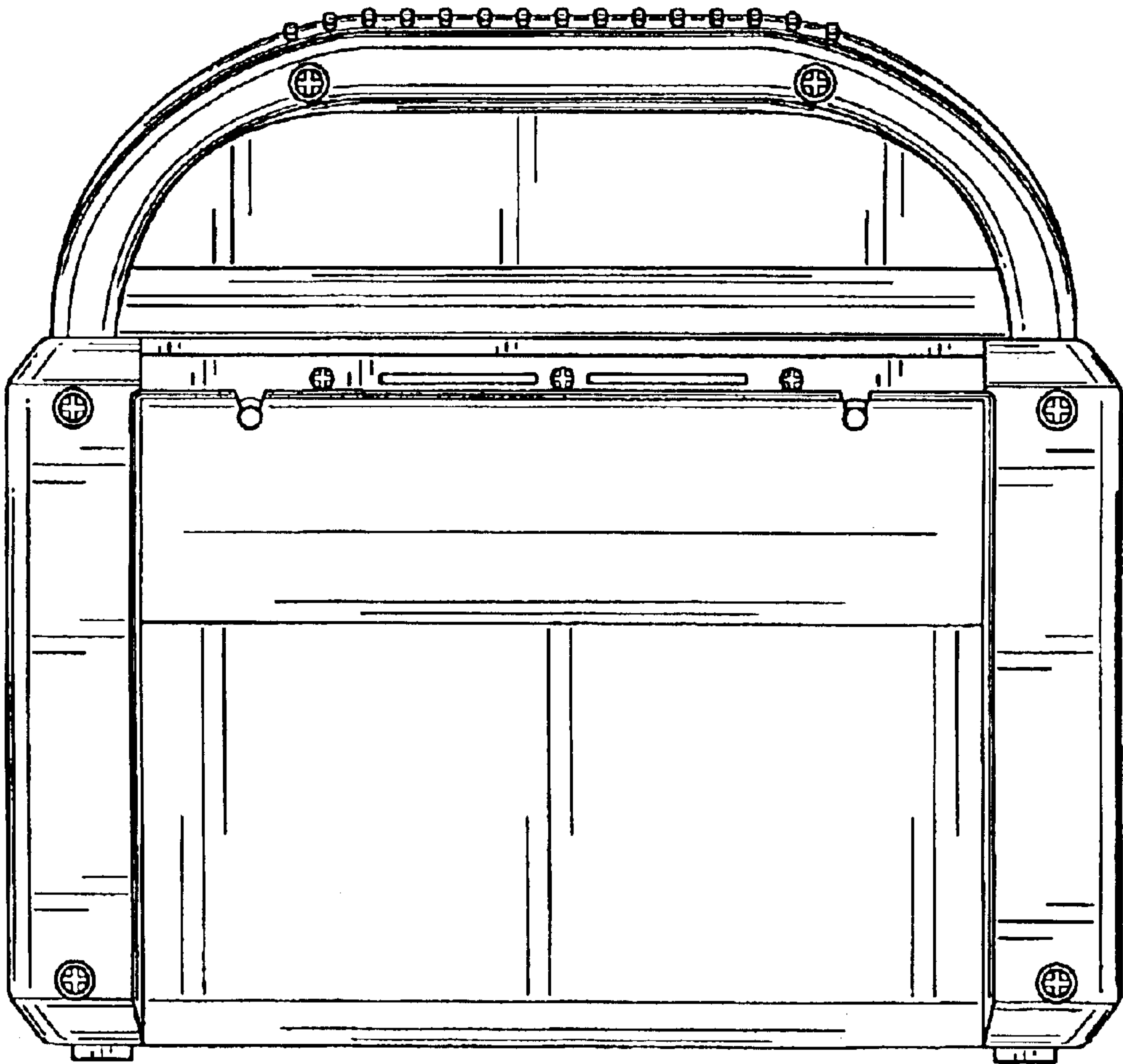


FIG. 3

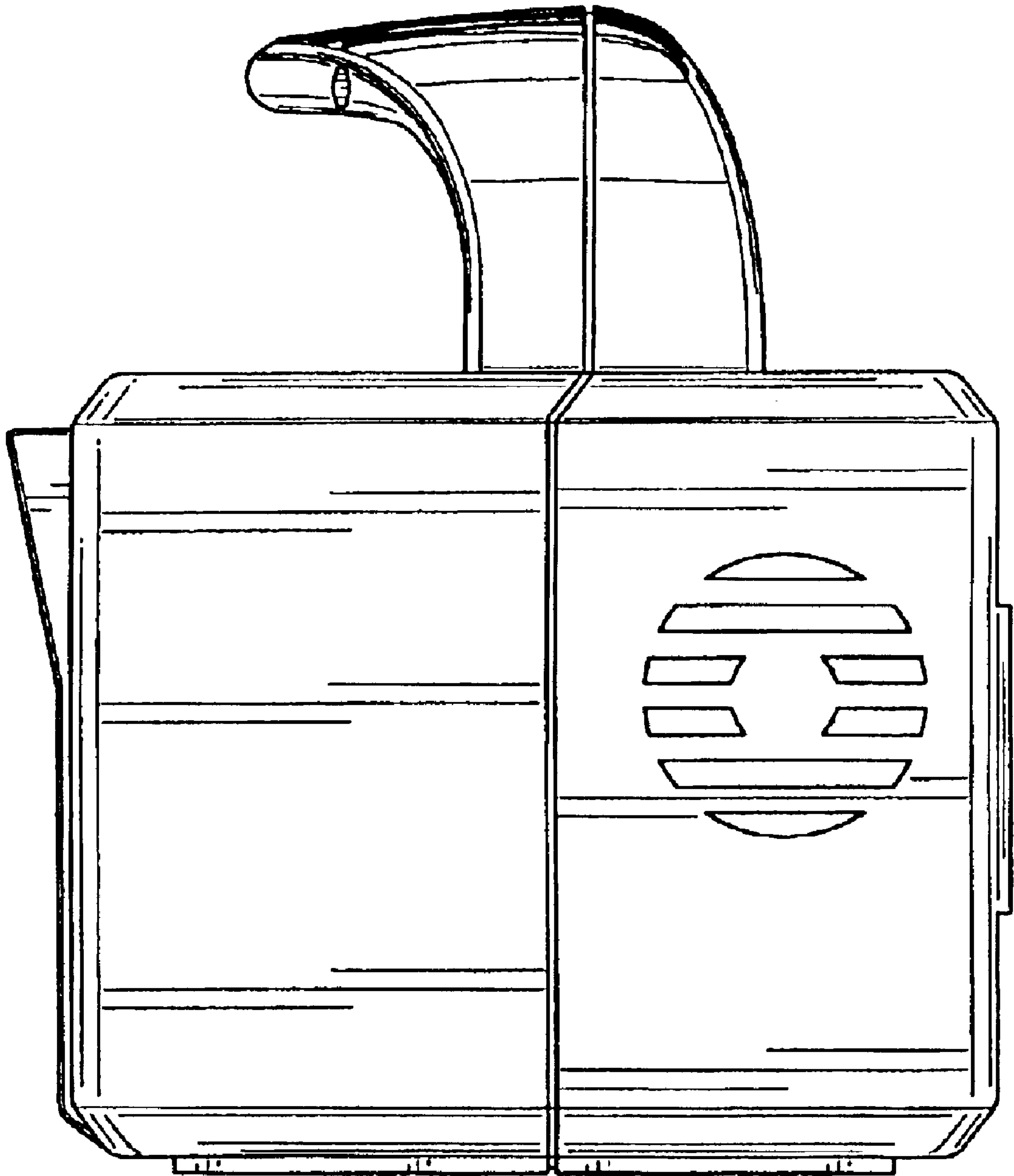


FIG. 4

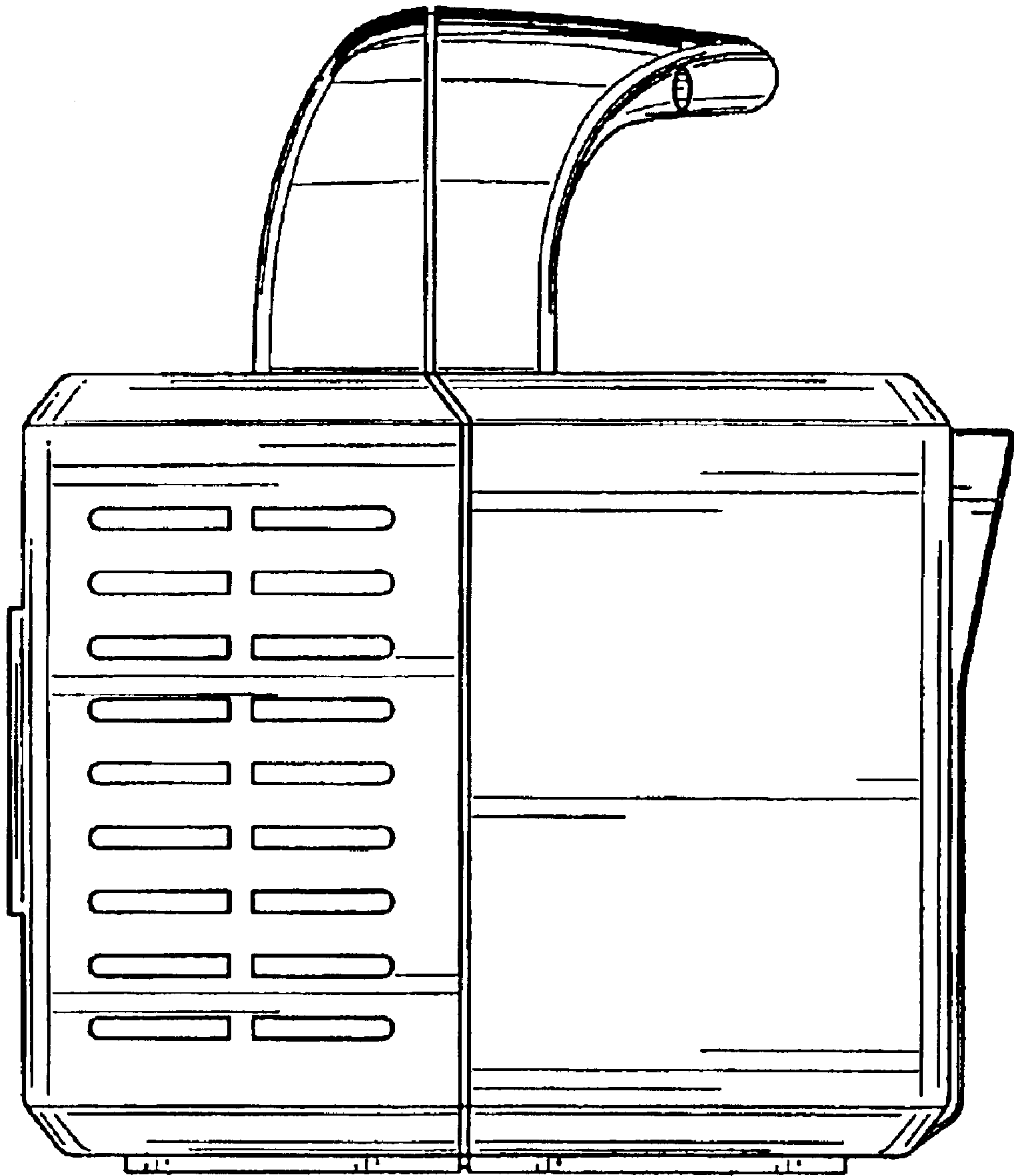


FIG. 5

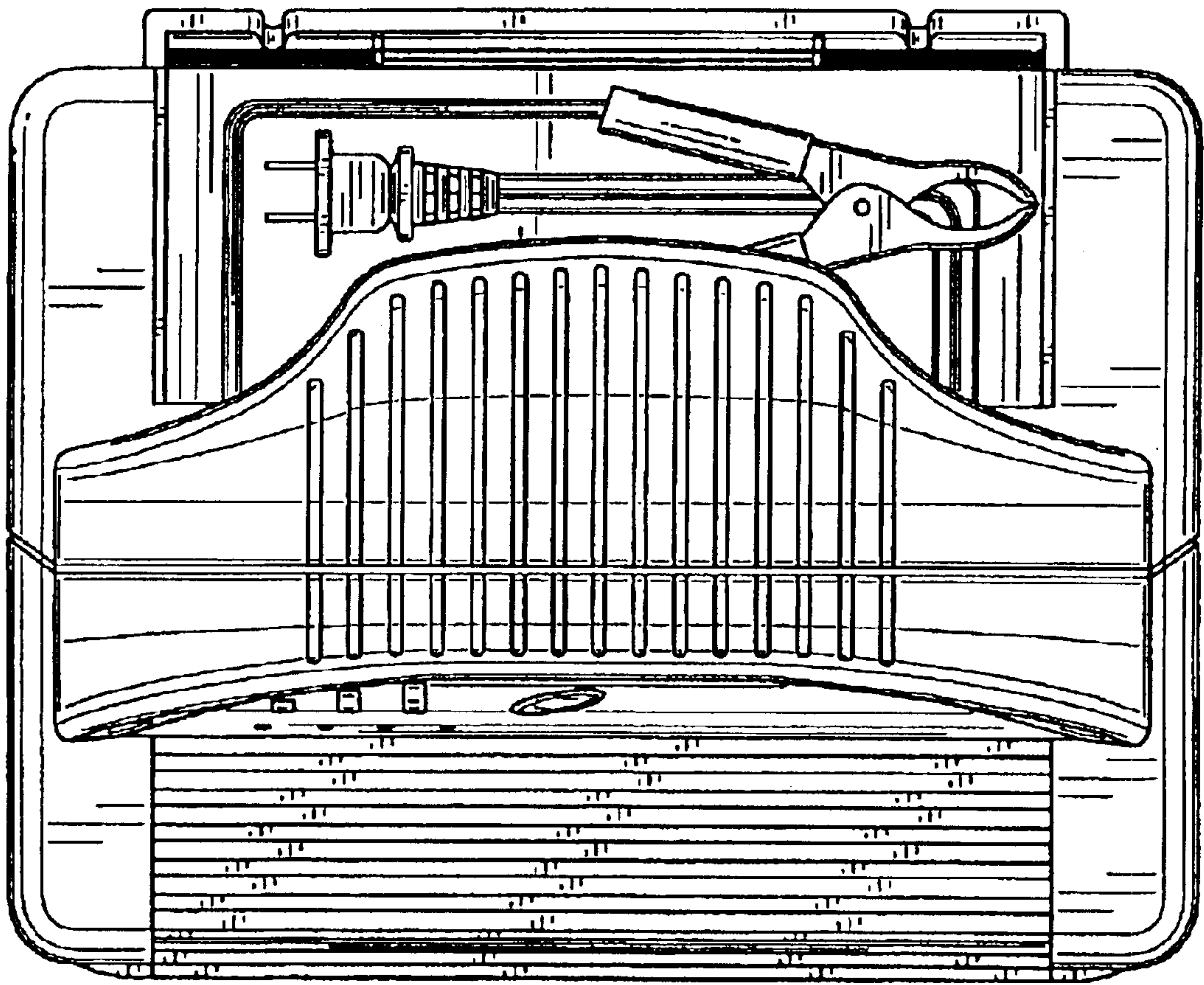


FIG. 6

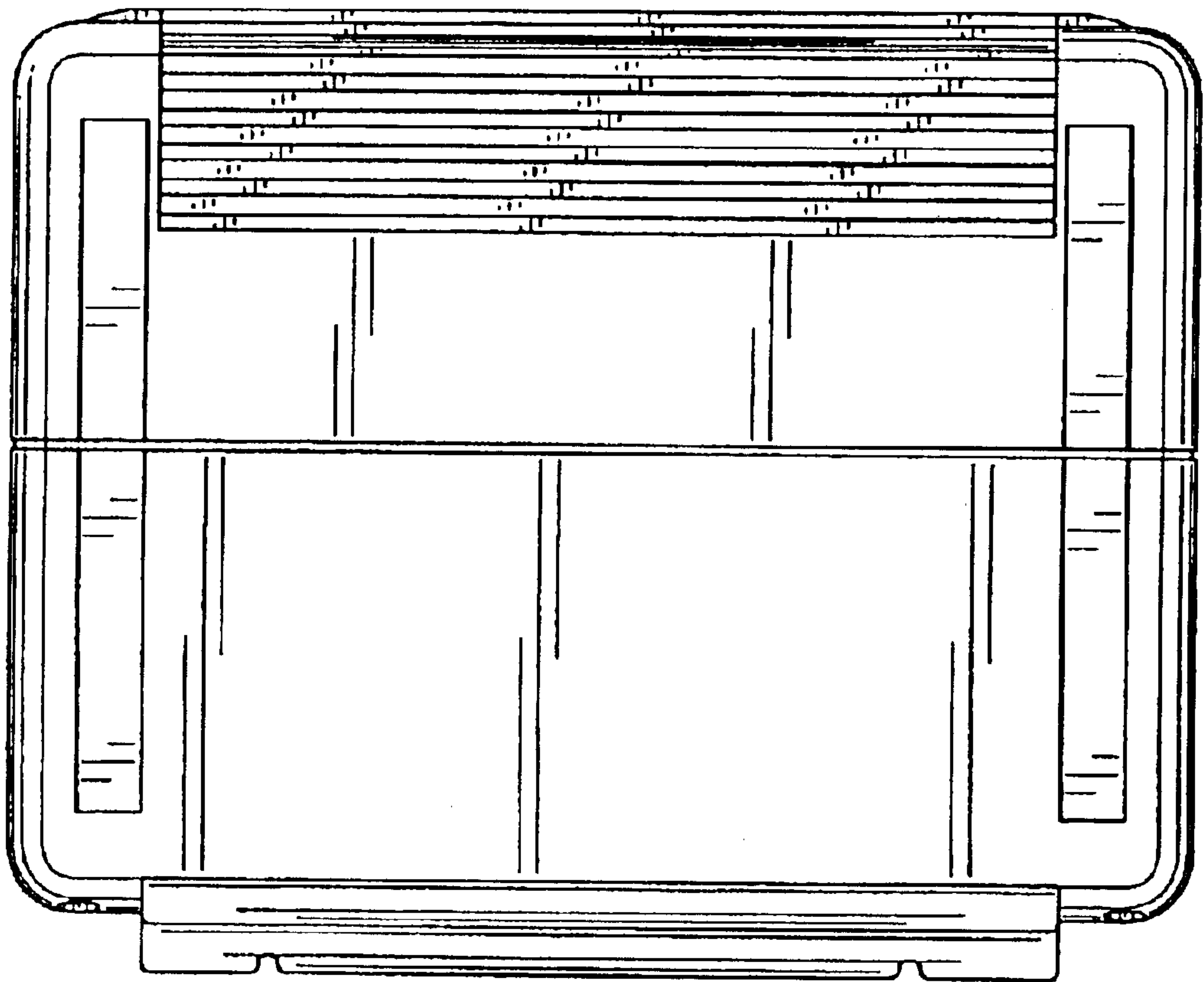


FIG. 7