



US00D491139S

(12) **United States Design Patent**
Krieger et al.

(10) **Patent No.:** **US D491,139 S**

(45) **Date of Patent:** **** Jun. 8, 2004**

(54) **BATTERY CHARGER**

(75) Inventors: **Michael Krieger**, Miami Beach, FL
(US); **Kevin Ellsworth**, Hollywood, FL
(US)

(73) Assignee: **Vector Products, Inc.**, Ft. Lauderdale,
FL (US)

(**) Term: **14 Years**

(21) Appl. No.: **29/180,674**

(22) Filed: **Apr. 30, 2003**

(51) **LOC (7) Cl.** **13-02**

(52) **U.S. Cl.** **D13/107**

(58) **Field of Search** D13/107, 108,
D13/110, 118; 320/104, 105, 110, 115;
439/501, 504

(56) **References Cited**

U.S. PATENT DOCUMENTS

- 4,990,144 A * 2/1991 Blott 604/304
- D330,187 S * 10/1992 Shimoo et al. D13/107
- D393,446 S * 4/1998 Bellofatto et al. D13/106
- 6,215,273 B1 * 4/2001 Shy 320/105
- D444,122 S * 6/2001 Krieger et al. D13/107

- D444,125 S * 6/2001 Shy D13/110
- D446,500 S * 8/2001 Krieger et al. D13/110
- D469,401 S * 1/2003 Griffey et al. D13/110
- D474,151 S * 5/2003 James et al. D13/110 X
- 2001/0043052 A1 * 11/2001 Griffey et al. 320/114
- 2003/0149496 A1 * 8/2003 Johnson 700/91

* cited by examiner

Primary Examiner—Joel Sincavage

(74) *Attorney, Agent, or Firm*—Venable LLP; Robert Kinberg

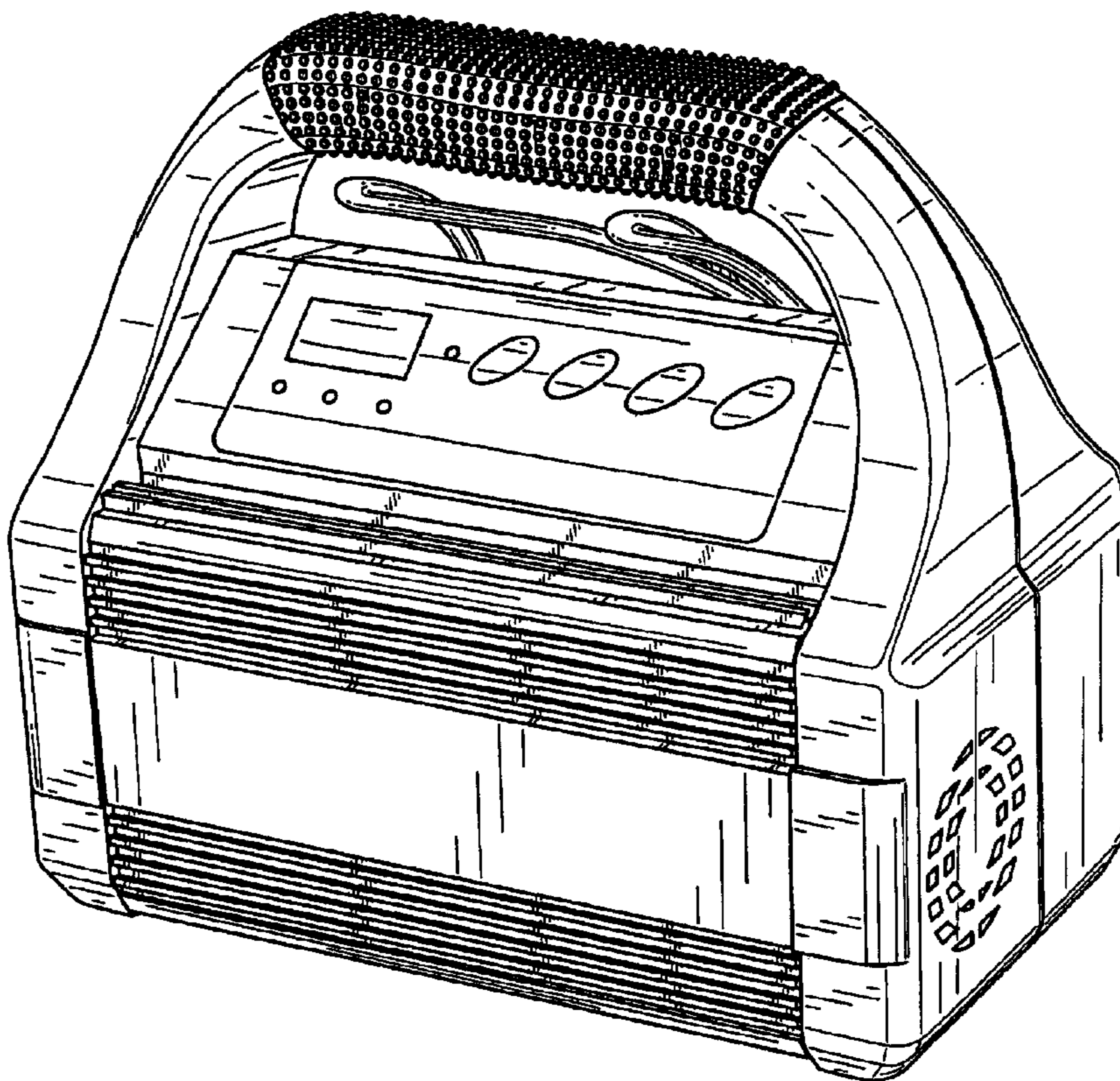
(57) **CLAIM**

The ornamental design for a battery charger, as shown and described.

DESCRIPTION

FIG. 1 is a perspective view from the front-top-right side of the battery charger showing our new design; FIG. 2 is a front view of the design shown in FIG. 1; FIG. 3 is a rear view of the design shown in FIG. 1; FIG. 4 is a left side view of the design shown in FIG. 1; FIG. 5 is a right side view of the design shown in FIG. 1; FIG. 6 is a top view of the design shown in FIG. 1; and, FIG. 7 is a bottom view of the design shown in FIG. 1.

1 Claim, 7 Drawing Sheets



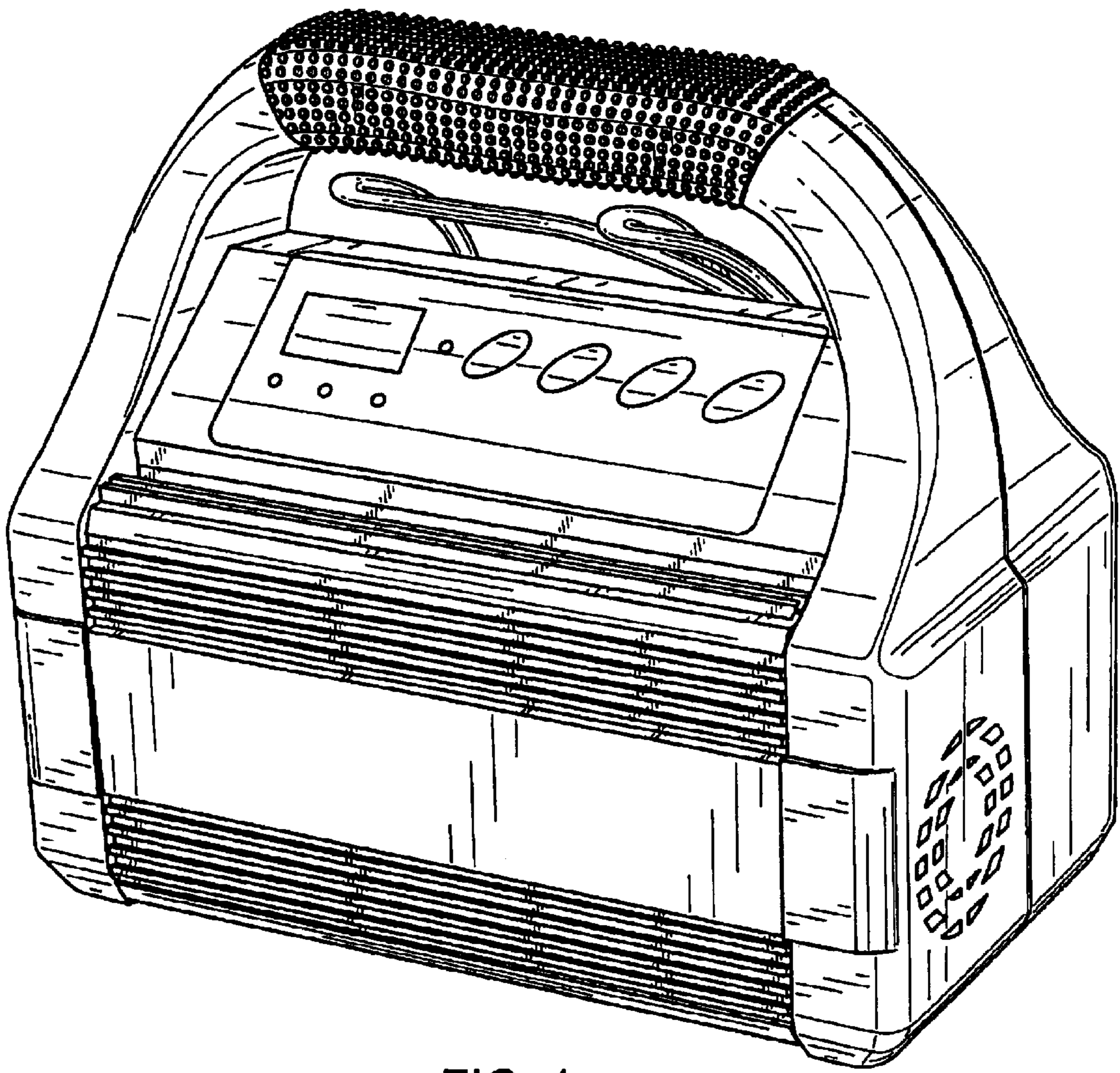


FIG. 1

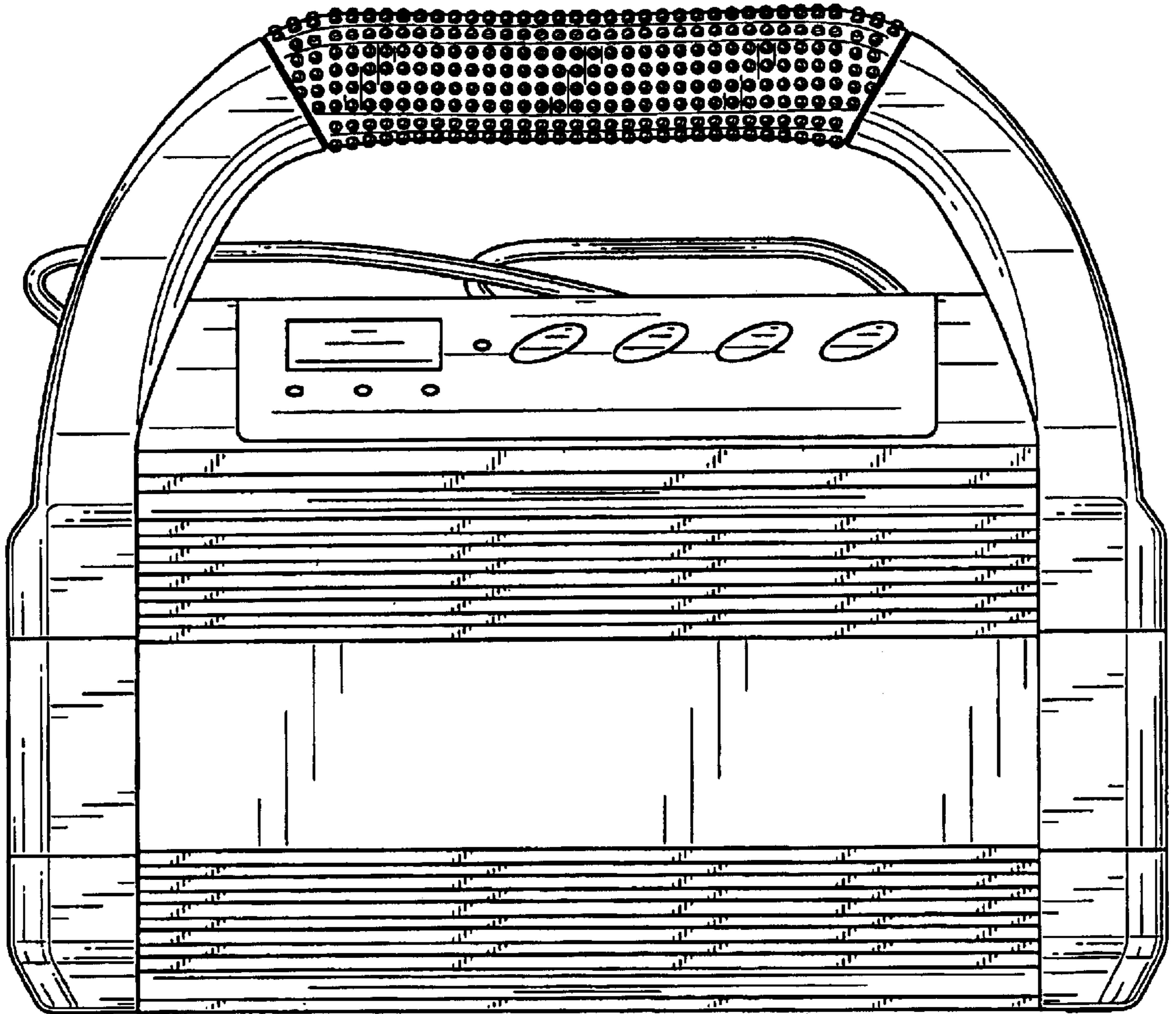


FIG. 2

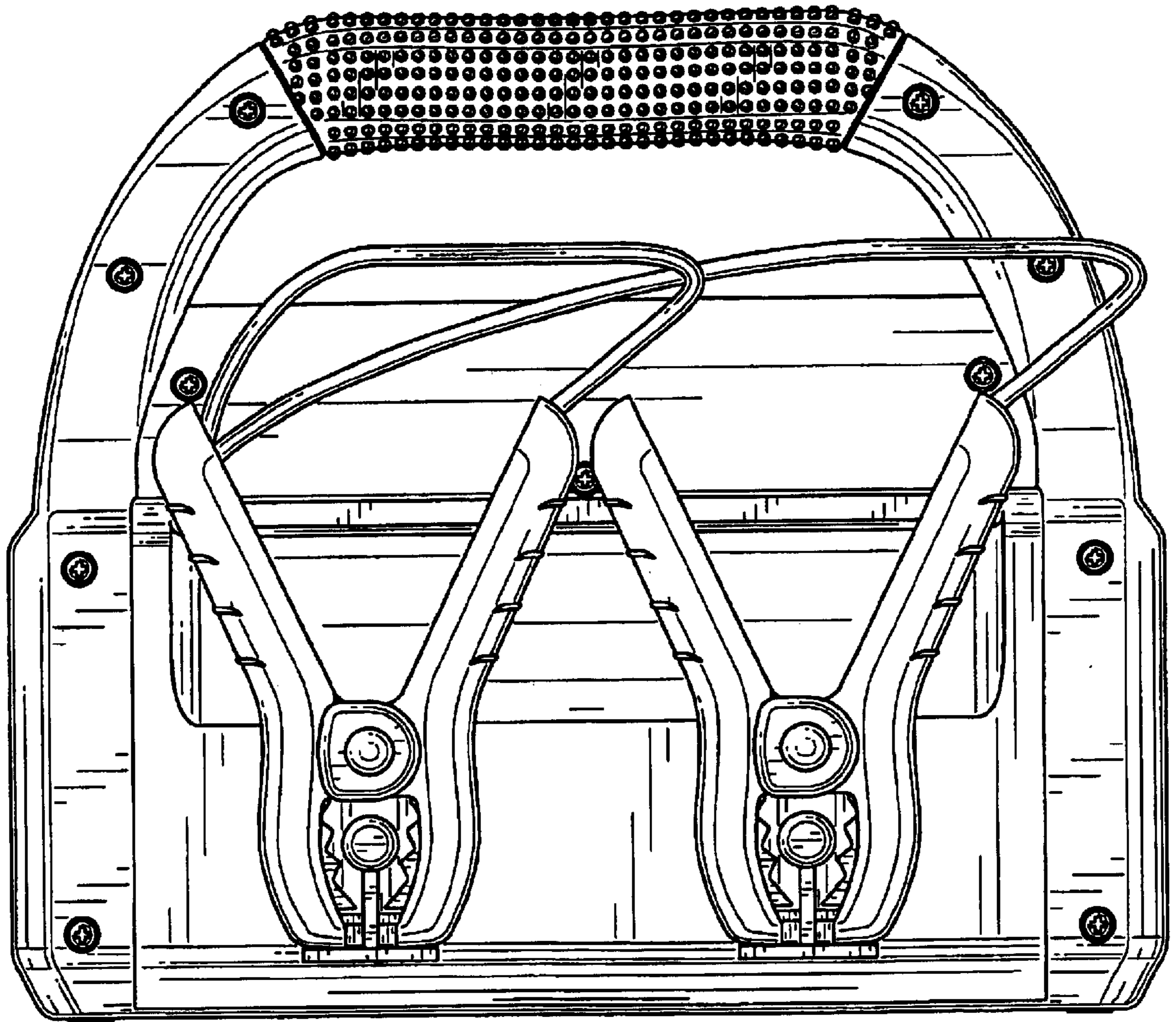


FIG. 3

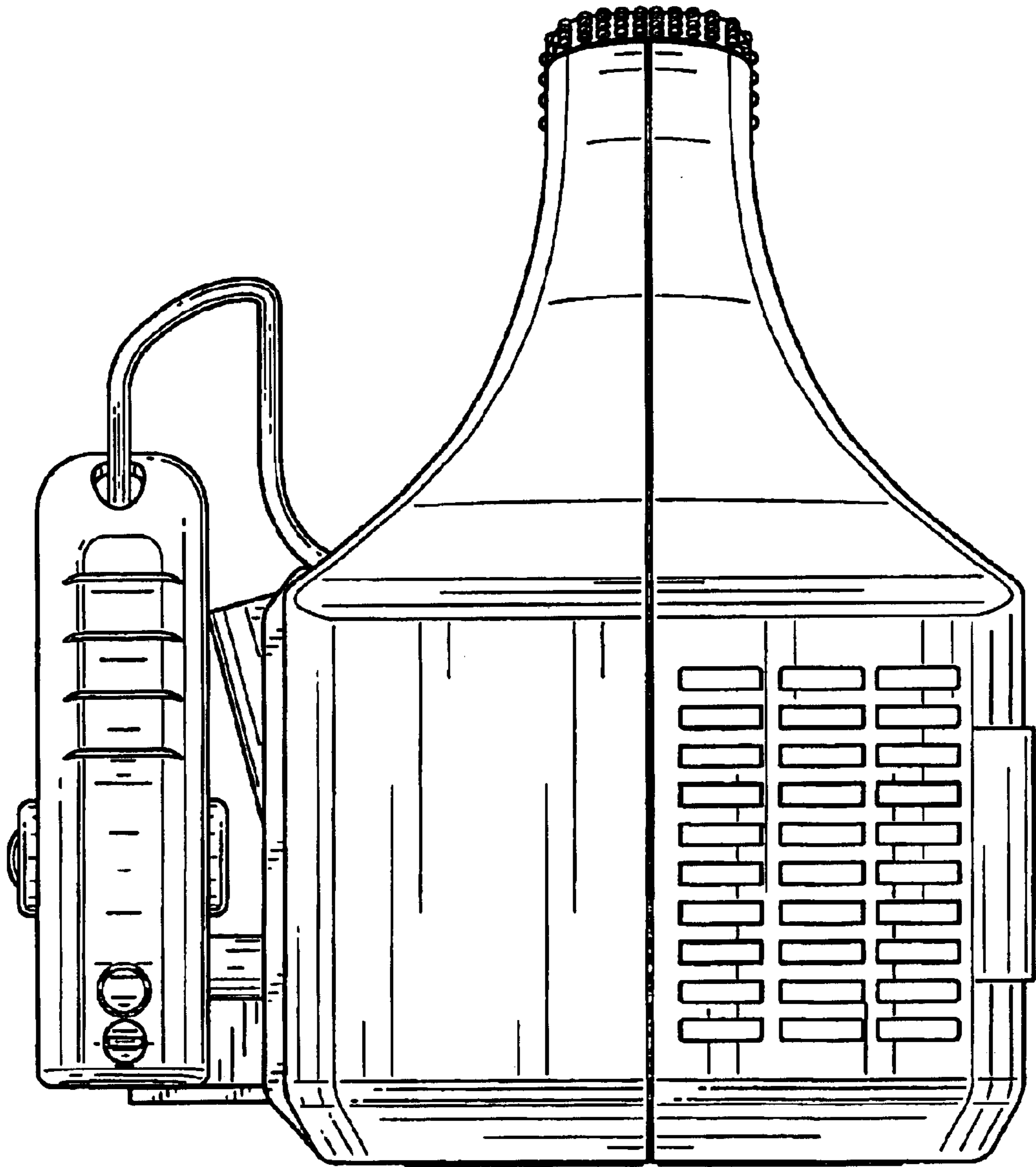


FIG. 4

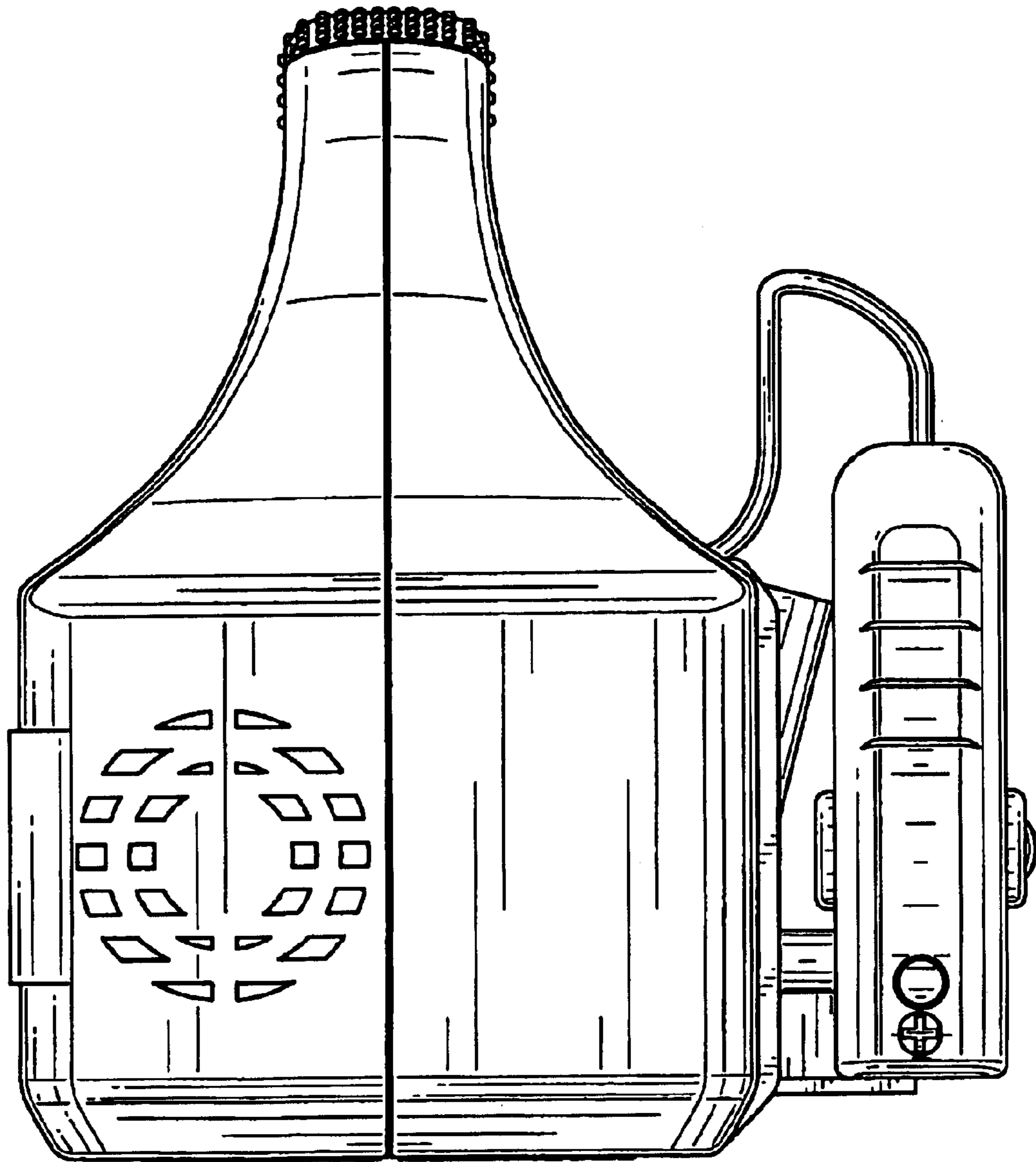


FIG. 5

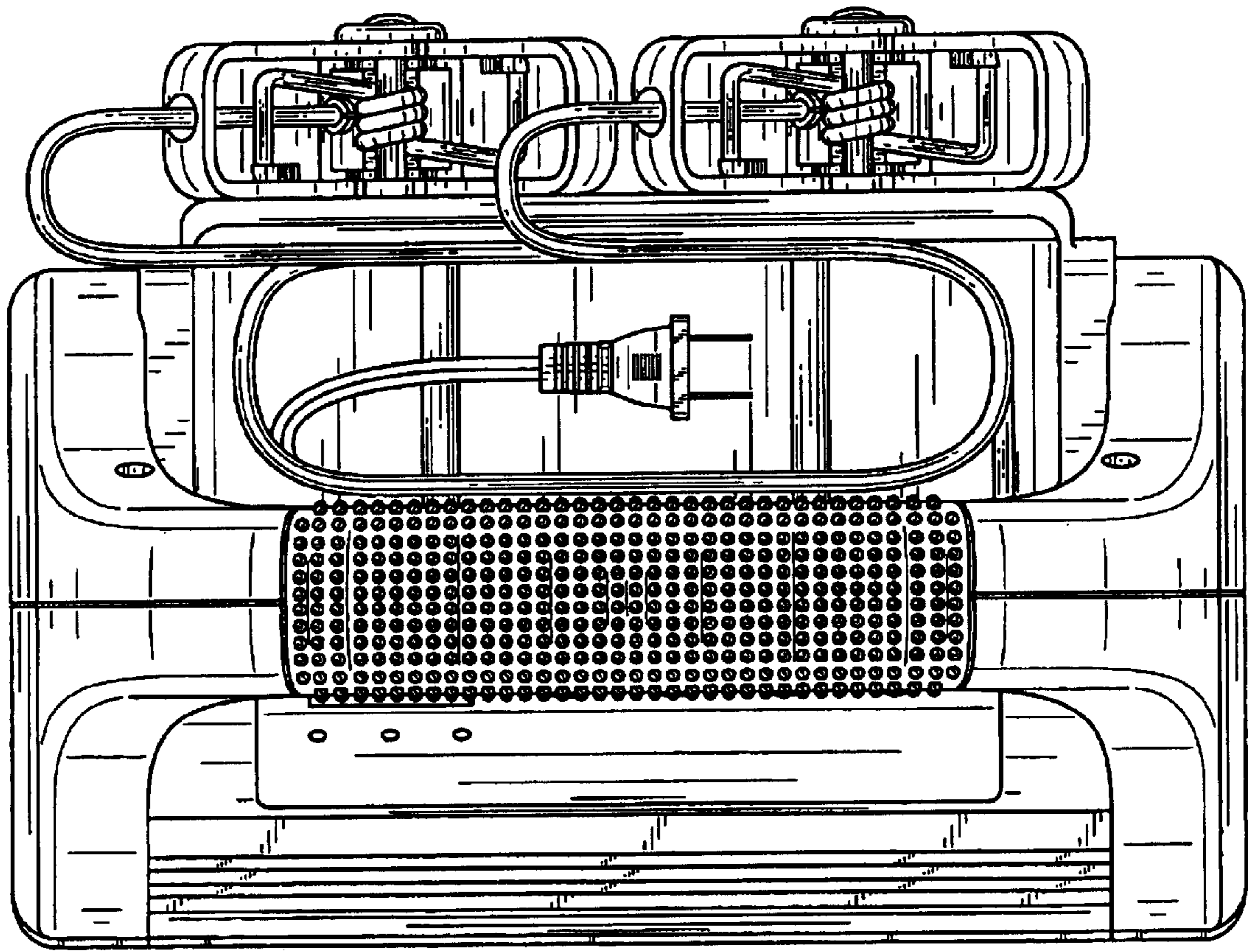


FIG. 6

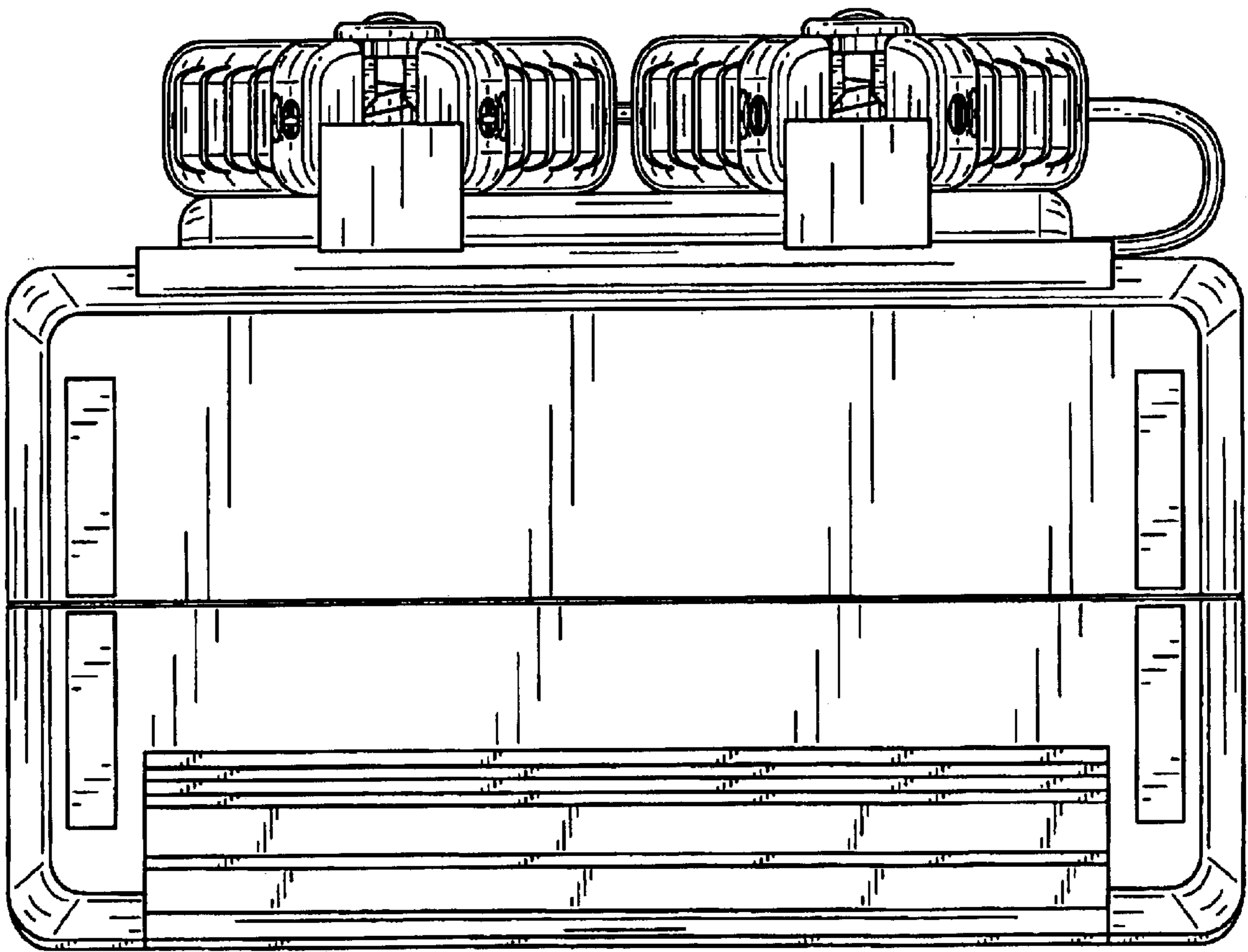


FIG. 7