



US00D491138S

(12) **United States Design Patent**
Minato

(10) **Patent No.:** **US D491,138 S**

(45) **Date of Patent:** **** Jun. 8, 2004**

(54) **LEAD ACID BATTERY**

(75) **Inventor:** **Tetsuro Minato, Kyoto (JP)**

(73) **Assignee:** **Japan Storage Battery Co., Ltd.,
Kyoto-fu (JP)**

(**) **Term:** **14 Years**

(21) **Appl. No.:** **29/165,444**

(22) **Filed:** **Aug. 9, 2002**

(51) **LOC (7) Cl.** **13-02**

(52) **U.S. Cl.** **D13/104**

(58) **Field of Search** **D13/103, 104,
D13/106; 429/96-100, 159, 163, 176, 178**

(56) **References Cited**

U.S. PATENT DOCUMENTS

4,693,949	A	*	9/1987	Kellett et al.	429/175	X
5,093,215	A	*	3/1992	Hasegawa et al.	429/178	
5,356,735	A	*	10/1994	Meadows et al.	429/120	
5,492,779	A	*	2/1996	Ronning	D13/104	
D383,434	S	*	9/1997	Hooke et al.	D13/103	
6,001,506	A	*	12/1999	Timmons et al.	429/178	
6,303,247	B1	*	10/2001	Griffey et al.	429/175	
D458,900	S	*	6/2002	Carter et al.	D13/106	
D462,656	S	*	9/2002	Degen et al.	D13/104	

2002/0114994 A1 * 8/2002 Yabuki et al. 429/178
2003/0064281 A1 * 4/2003 Andersen 429/99 X

* cited by examiner

Primary Examiner—Joel Sincavage

(74) *Attorney, Agent, or Firm*—Jordan & Hamburg LLP

(57) **CLAIM**

The ornamental design for a lead acid battery, as shown and described.

DESCRIPTION

FIG. 1 is a top plan view of a lead acid battery showing my new design;
FIG. 2 is a front elevational view;
FIG. 3 is a bottom plan view;
FIG. 4 is a rear elevational view;
FIG. 5 is a right side elevational view;
FIG. 6 is a cross-sectional view taken along 6—6 of FIG. 2;
FIG. 7 is a front and upper right perspective view; and,
FIG. 8 is a front and upper right perspective view of a second embodiment, which includes the screw and lug members of the terminals.

The left side elevational view is a mirror image of the right side elevational view.

1 Claim, 4 Drawing Sheets

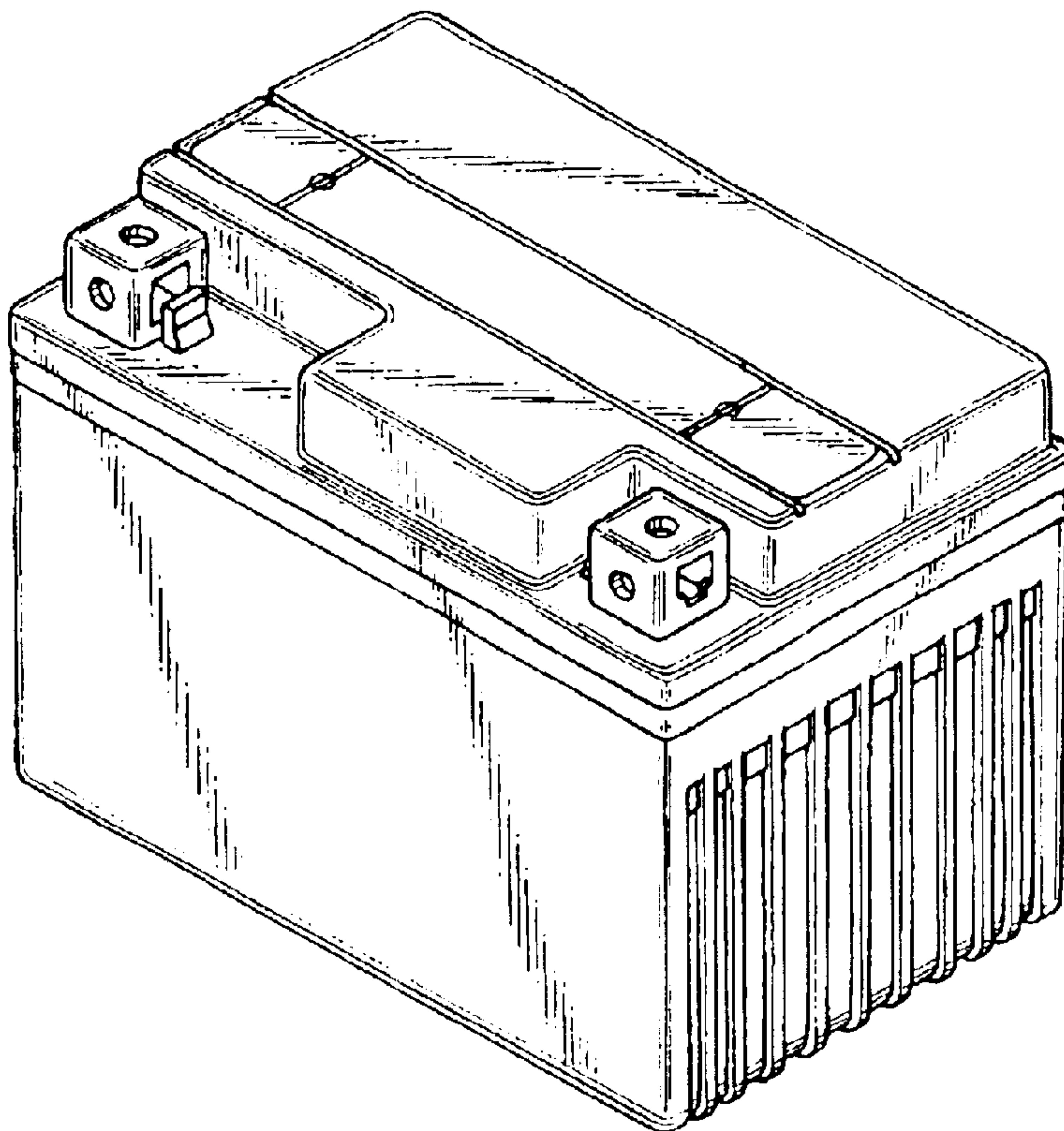


Fig. 1

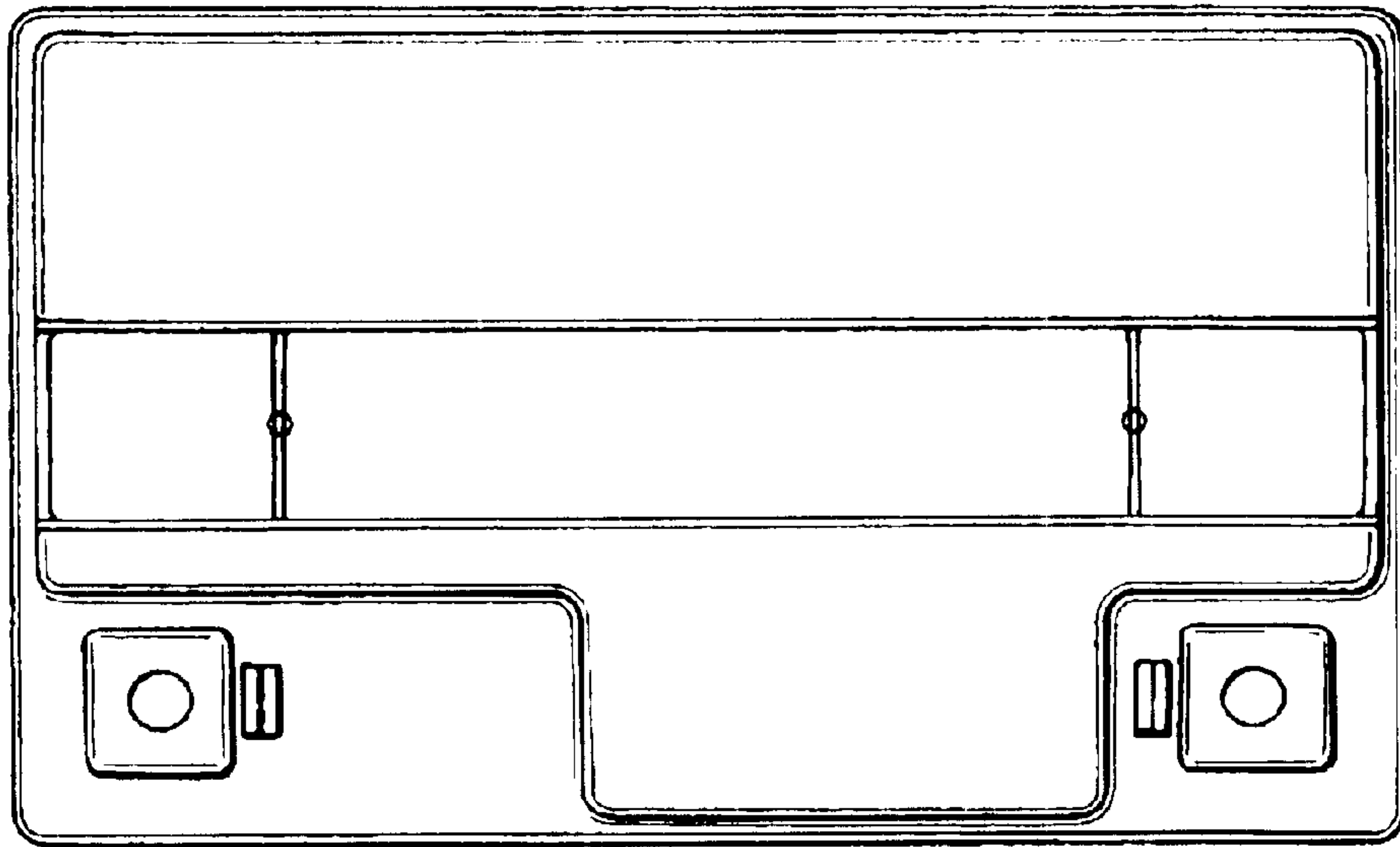


Fig. 2

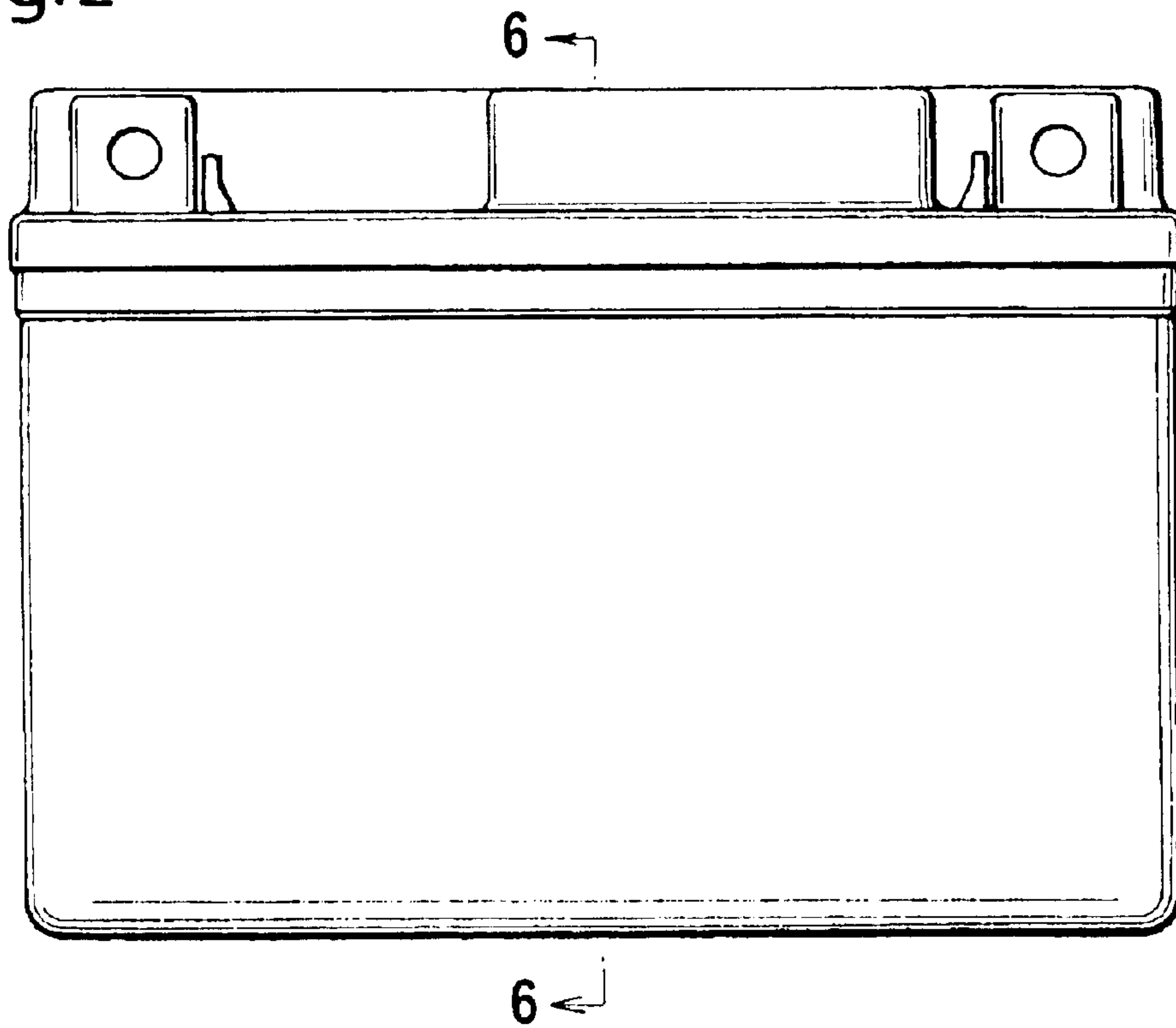


Fig.3

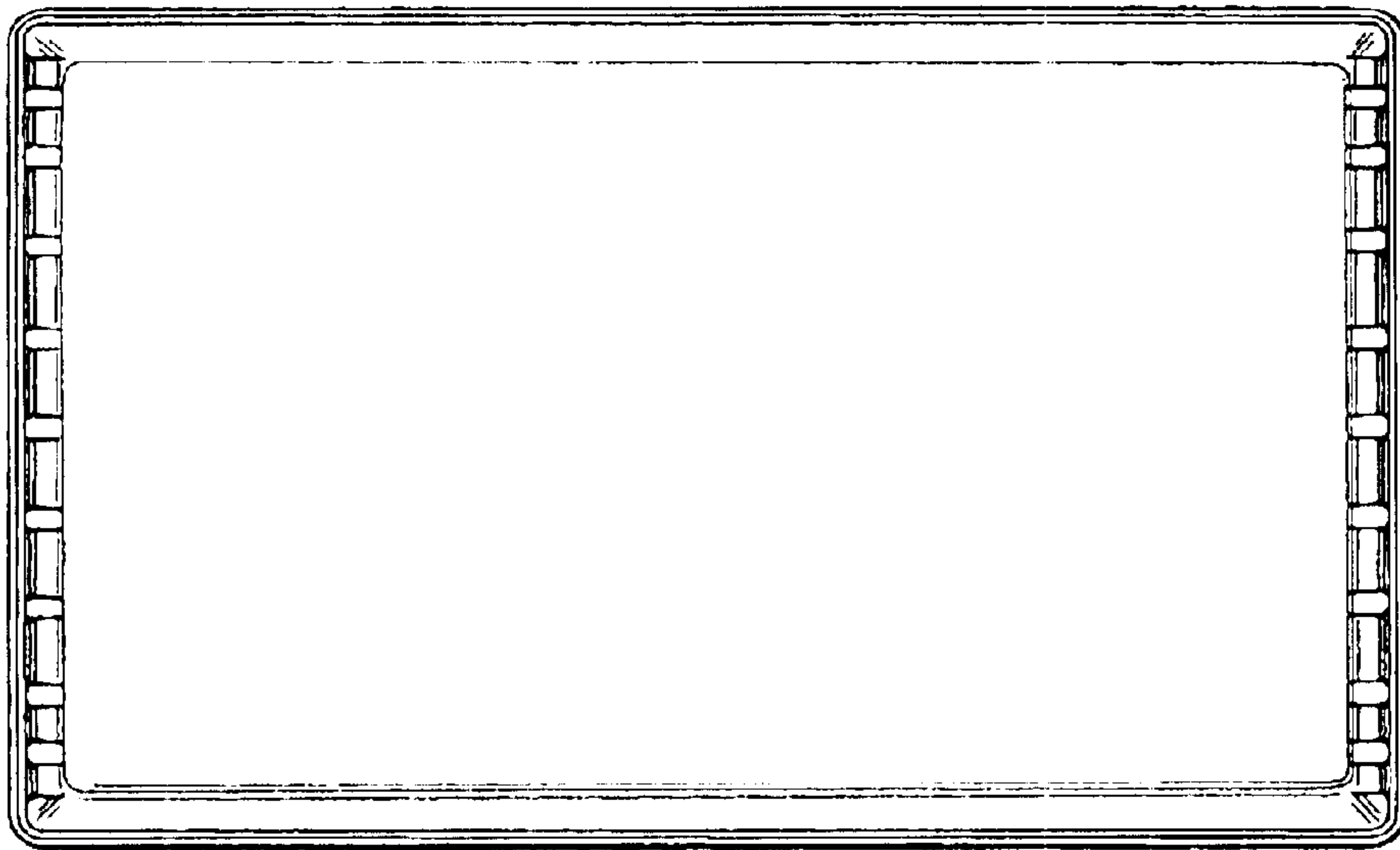


Fig.4

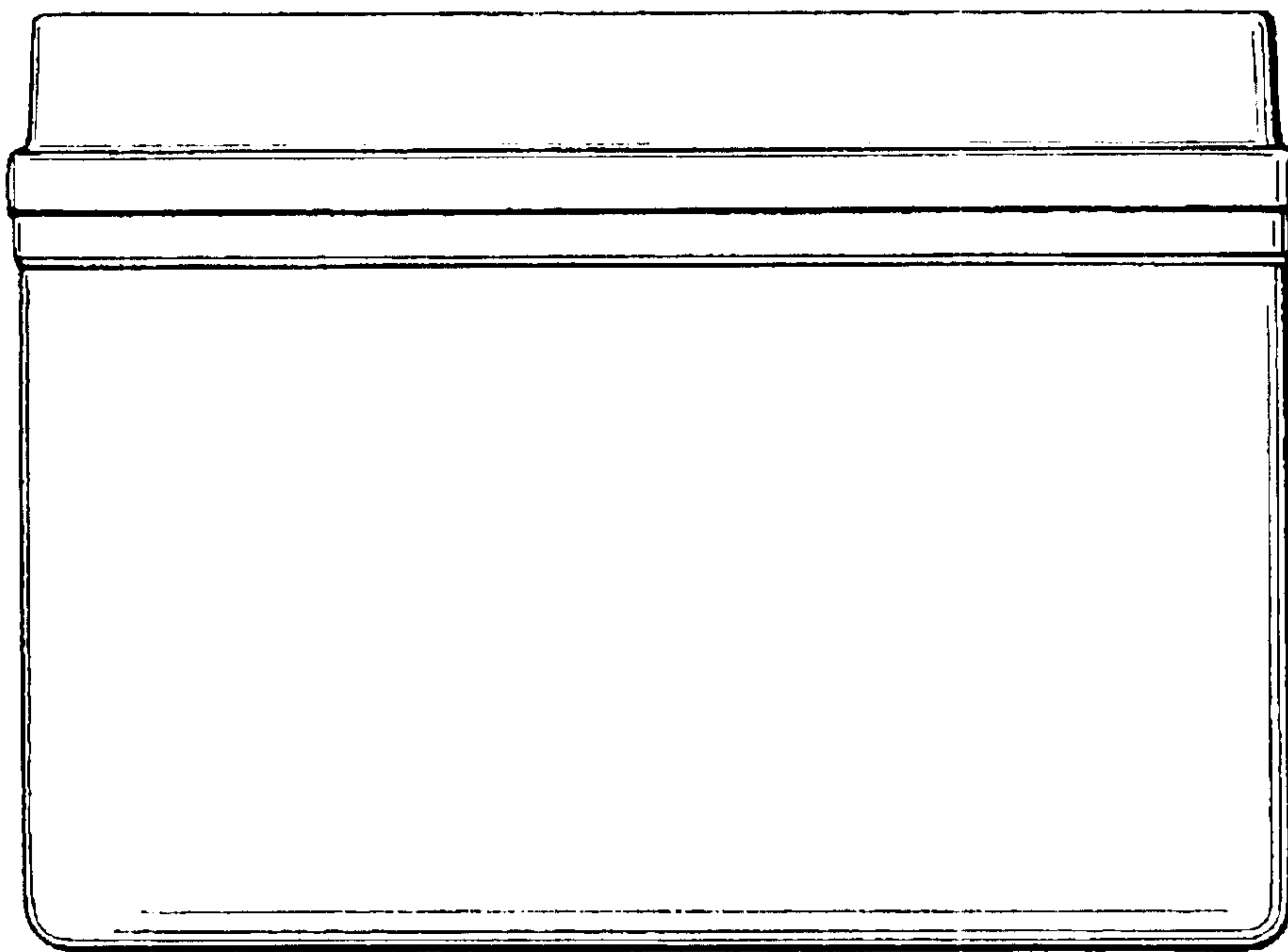


Fig.5

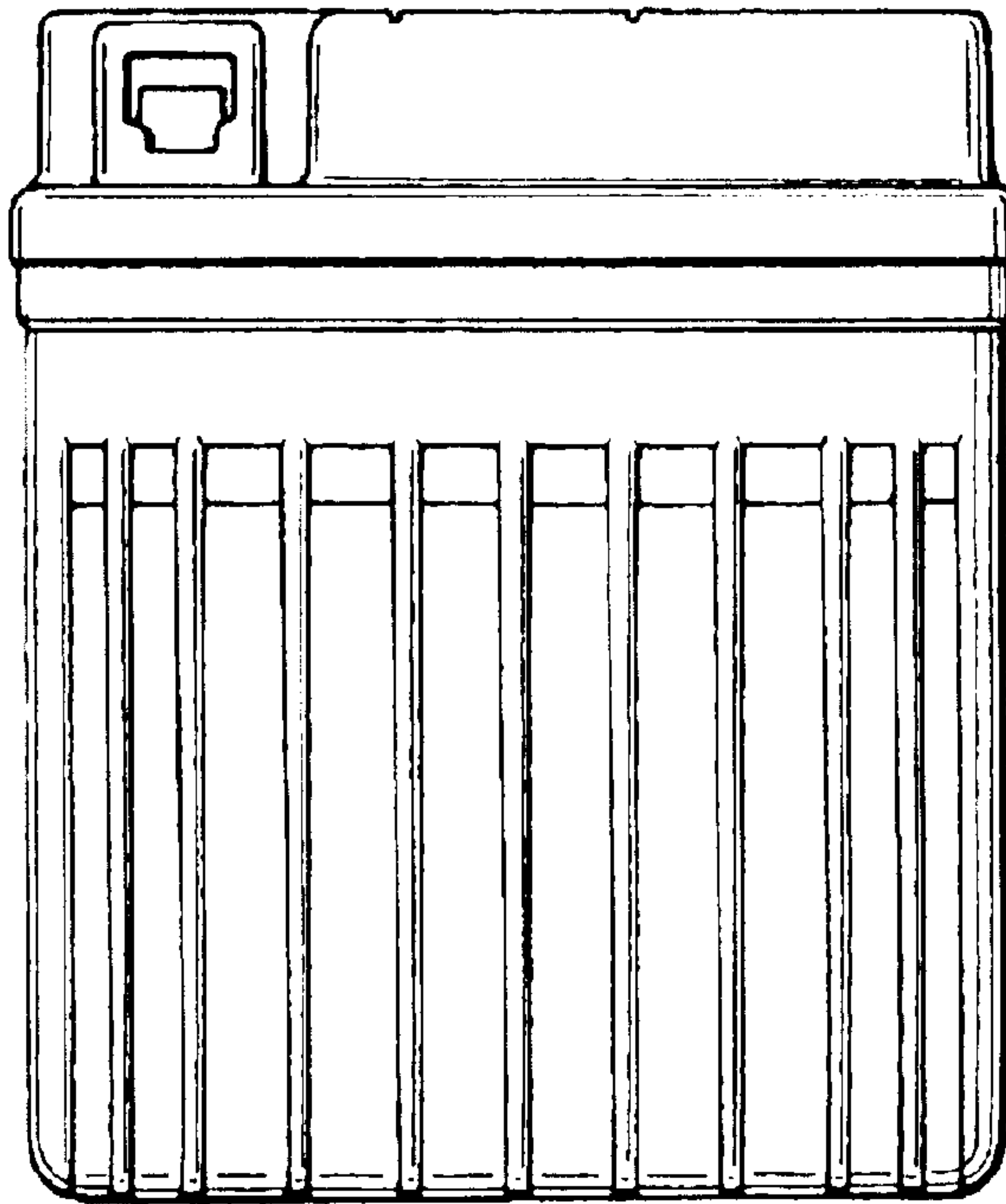


Fig.6

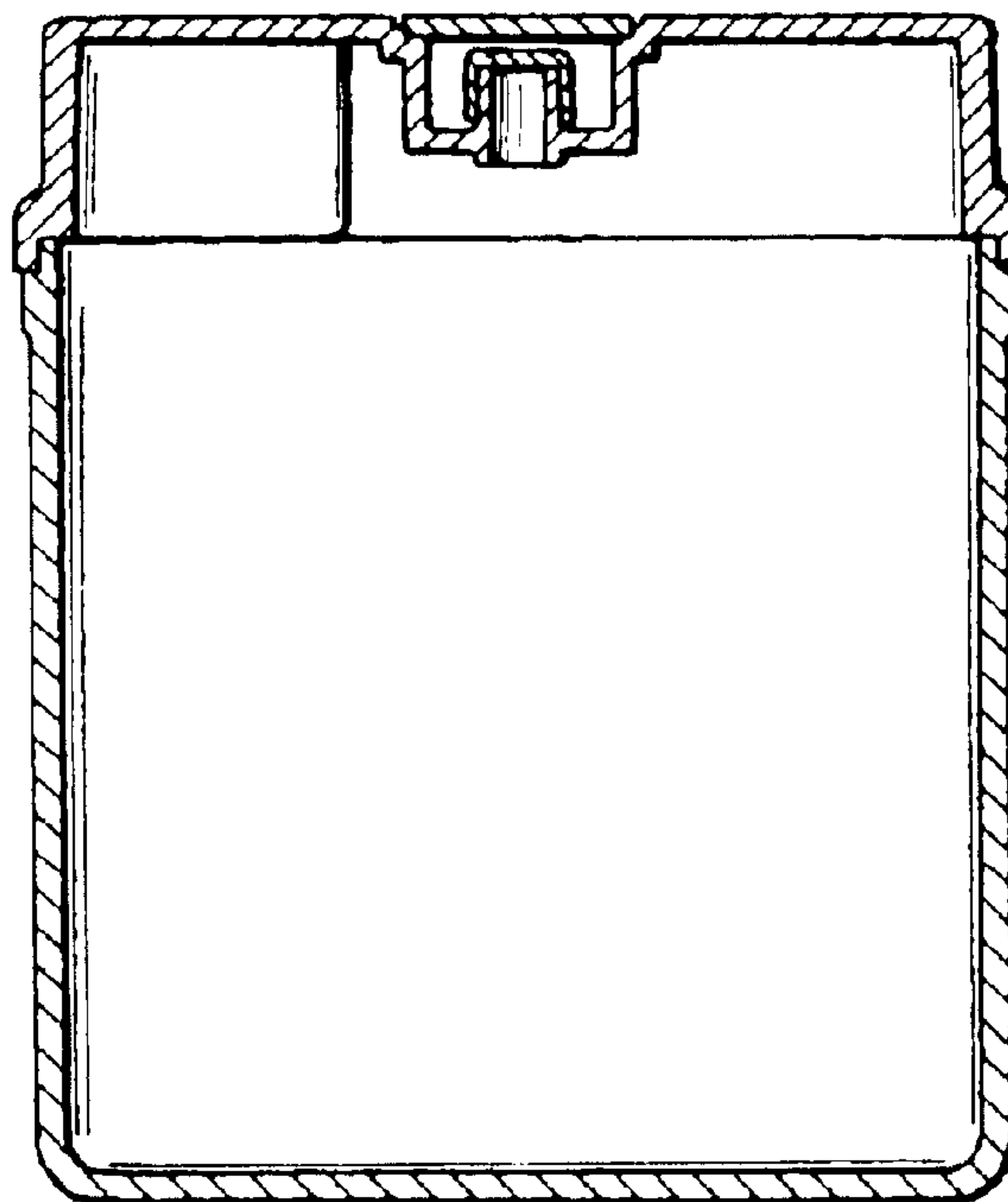


Fig.7

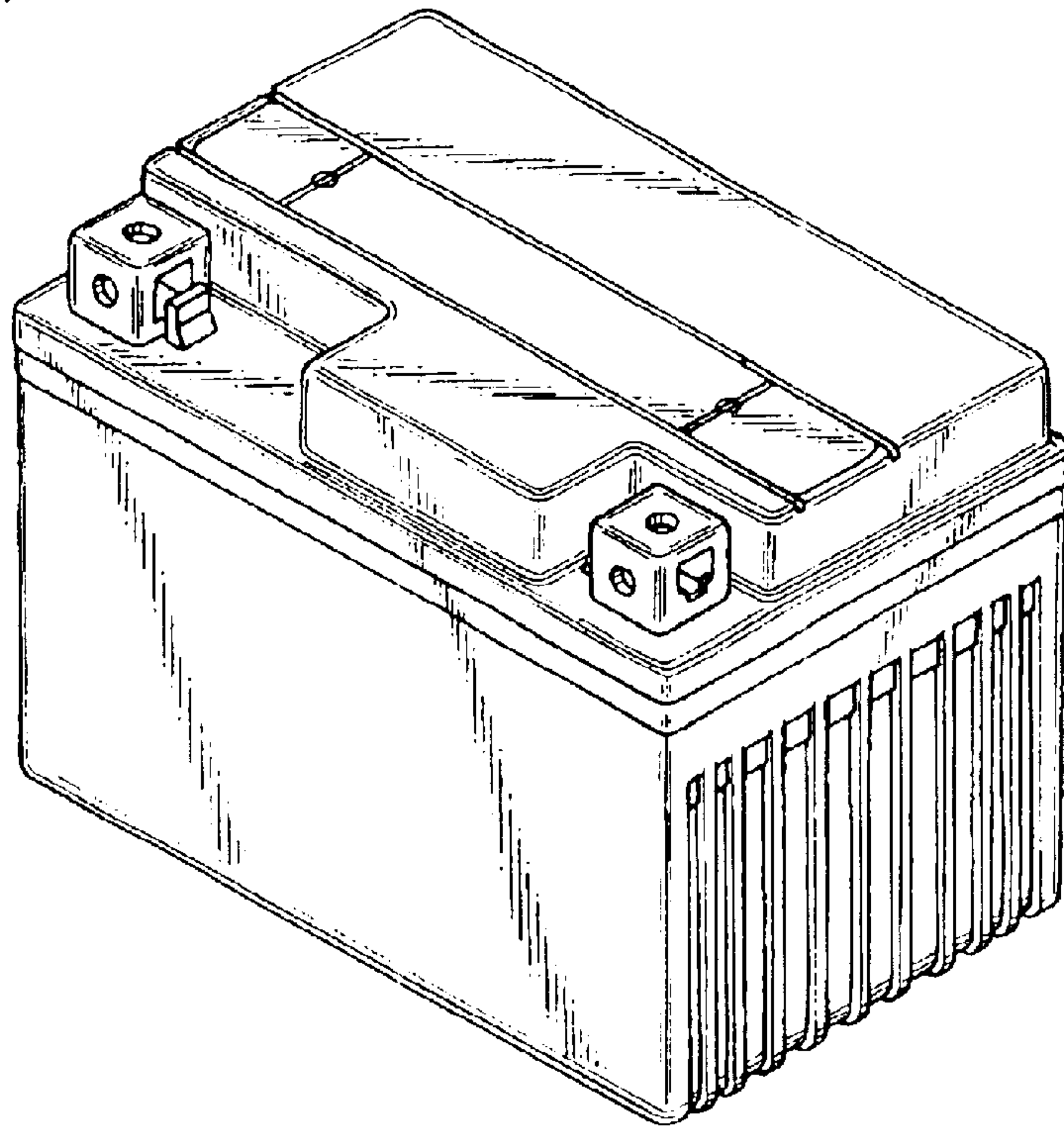


Fig.8

