



US00D491134S

(12) **United States Design Patent** (10) **Patent No.:** **US D491,134 S**
Brayer et al. (45) **Date of Patent:** **** Jun. 8, 2004**

(54) **TIRE TREAD**

6,601,624 B2 * 8/2003 Ratliff, Jr. 152/209.19

(75) Inventors: **Randall Raymond Brayer**, North
 Canton, OH (US); **Charles Kenneth Schmalix**, Canal
 Fulton, OH (US); **Billy Joe Ratliff, Jr.**, Clinton,
 OH (US)

(73) Assignee: **The Goodyear Tire & Rubber
 Company**, Akron, OH (US)

(**) Term: **14 Years**

(21) Appl. No.: **29/185,140**

(22) Filed: **Jun. 23, 2003**

(51) **LOC (7) Cl.** **12-15**

(52) **U.S. Cl.** **D12/588**

(58) **Field of Search** D12/546, 551-556,
 D12/563-565, 567, 579, 581, 586-590,
 599, 600-603, 900; 152/209.1-209.28

(56) **References Cited**

U.S. PATENT DOCUMENTS

D354,261 S	*	1/1995	Graas	D12/566
5,725,700 A	*	3/1998	Ichiki	152/209.18
D423,425 S		4/2000	Buresh	D12/147
D423,996 S		5/2000	Buresh	D12/147
6,123,129 A	*	9/2000	Himuro	152/209.15
D450,033 S	*	11/2001	Graas et al.	D12/563
D455,393 S	*	4/2002	Ratliff, Jr.	D12/546
D462,313 S	*	9/2002	Maxwell	D12/546
D469,055 S	*	1/2003	Johanning et al.	D12/563
D470,100 S	*	2/2003	Johanning et al.	D12/563
D471,152 S	*	3/2003	Graas et al.	D12/563
D475,009 S	*	5/2003	Ochi	D12/600

OTHER PUBLICATIONS

Bridgestone Potenza S-02 Tire, 2002 Tread Design Guide,
Jan. 2002, p. 17. 4/1.*

Goodyear Eagle F1 GSD2 Tire, 2002 Tread Design Guide,
Jan. 2002, p. 34. 2/4.*

Toyo Proxes T1S Tire, Tire Review Magazine, Mar. 2001, p.
39.*

* cited by examiner

Primary Examiner—Robert M. Spear

(74) *Attorney, Agent, or Firm*—David L. King; Richard B.
O’Planick

(57) **CLAIM**

The ornamental Design for a tire tread, as shown and
described.

DESCRIPTION

FIG. 1 is a perspective view of a tire tread showing our new
design, it being understood that the pattern repeats uni-
formly throughout the circumference of the tread;

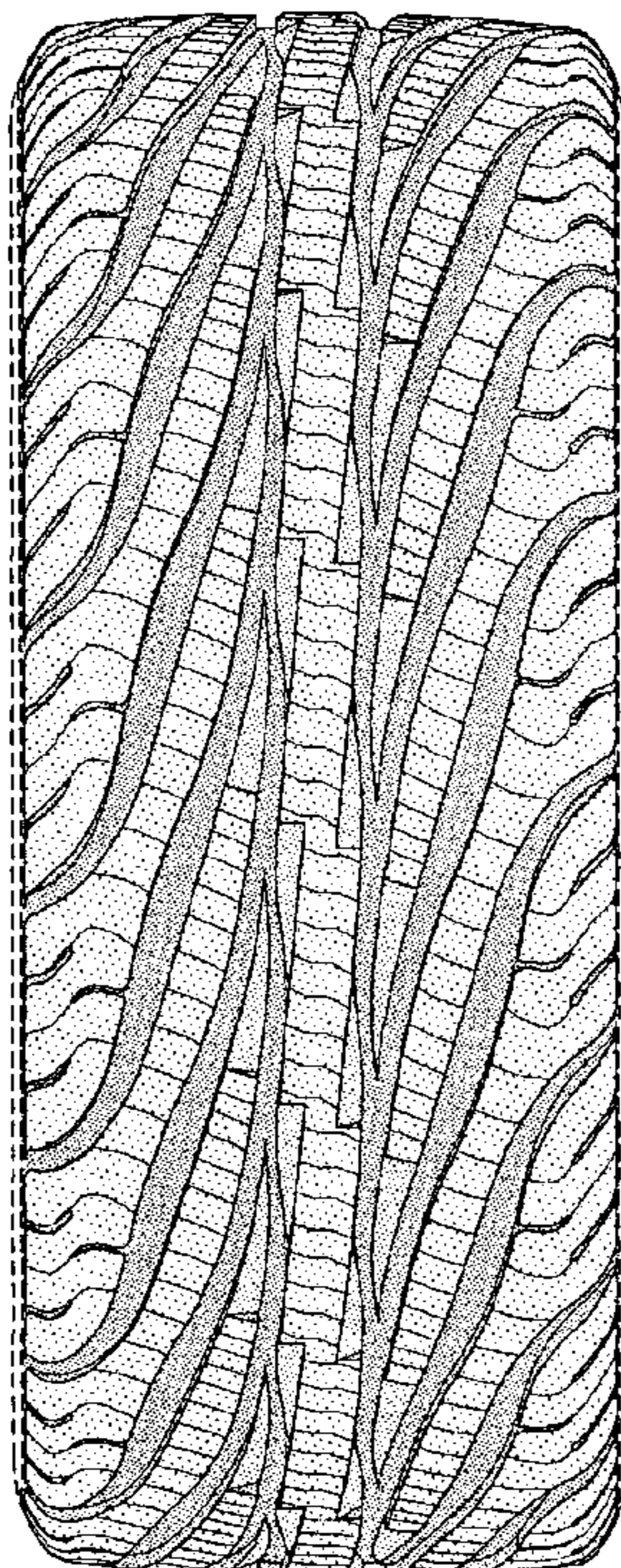
FIG. 2 is a front elevational view thereof;

FIG. 3 is a right side elevational view thereof; the opposite
side elevational view being identical thereto; and,

FIG. 4 is an enlarged fragmentary front elevational view
thereof.

In the drawings, the broken lines defining the sidewall, inner
bead and the peripheral boundary between the tire tread and
the sidewall are for illustrative purposes only and form no
part of the claimed design.

1 Claim, 4 Drawing Sheets



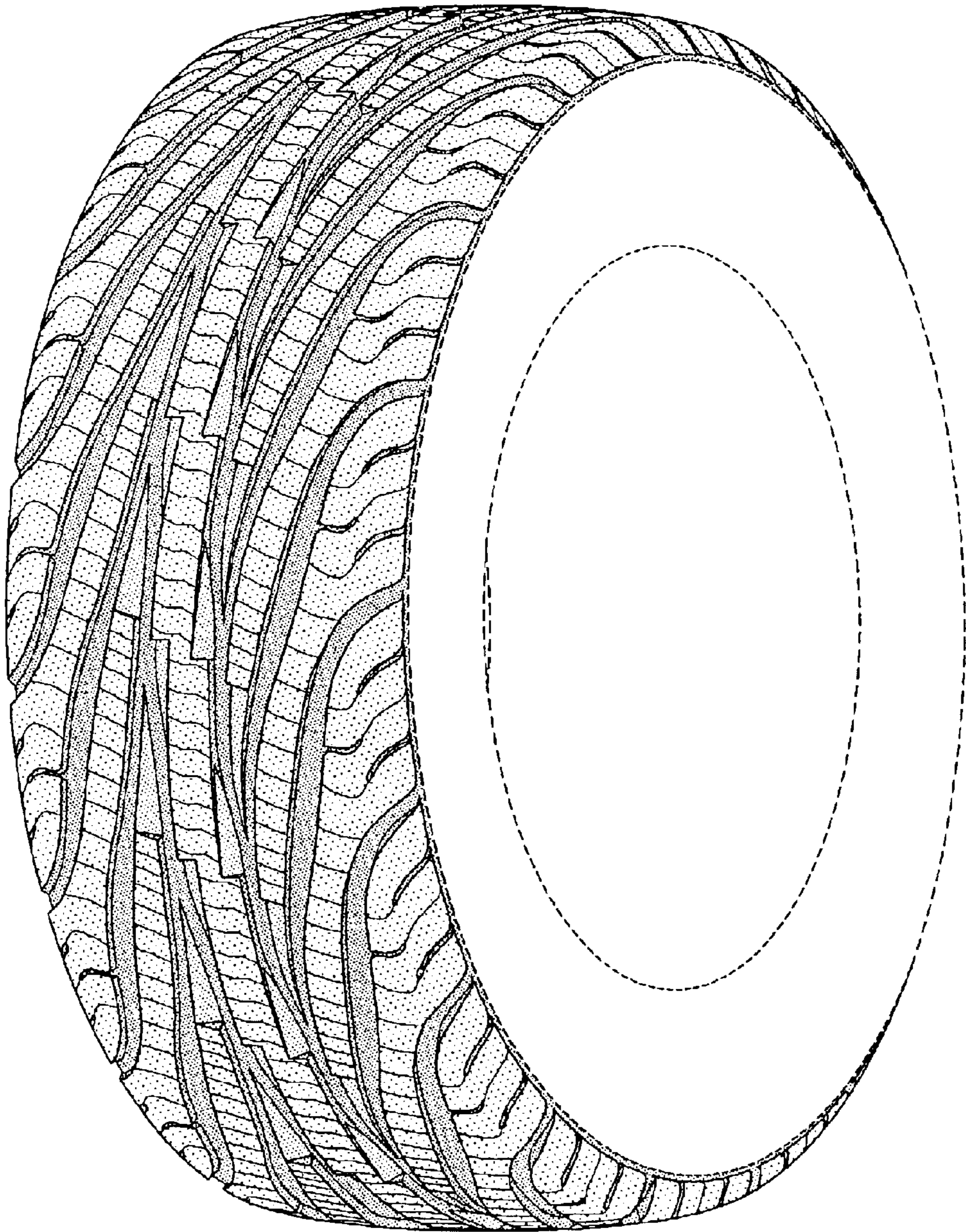


FIG-1

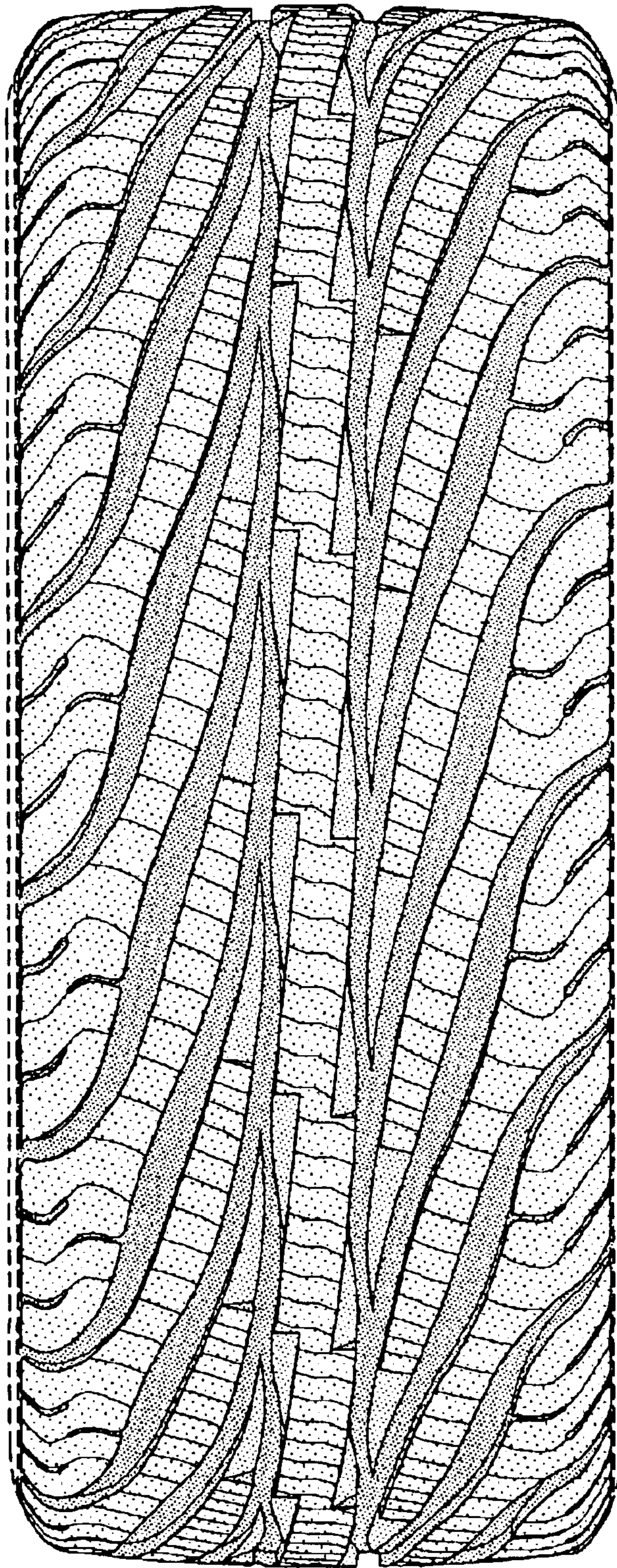


FIG-2

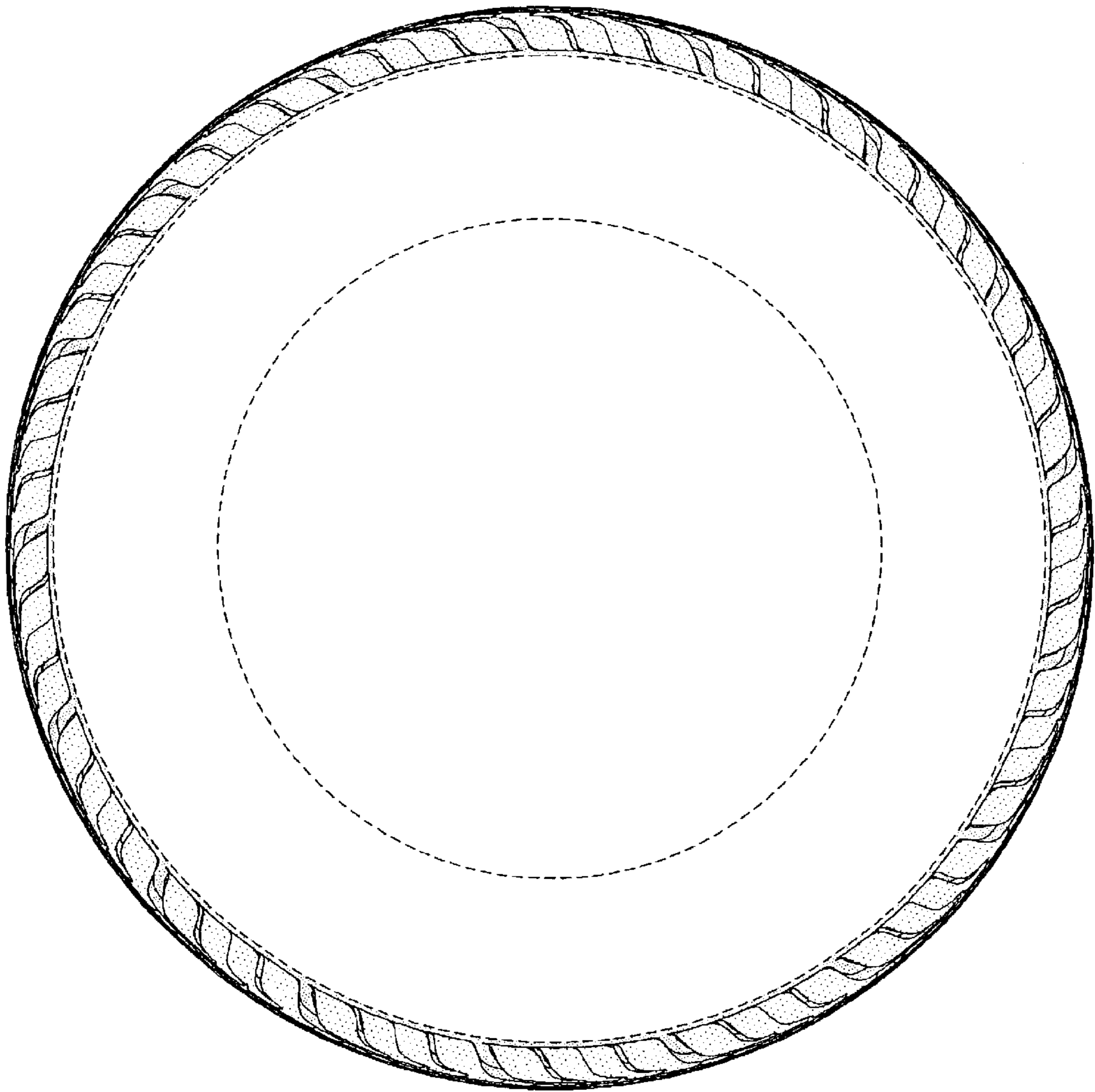


FIG-3

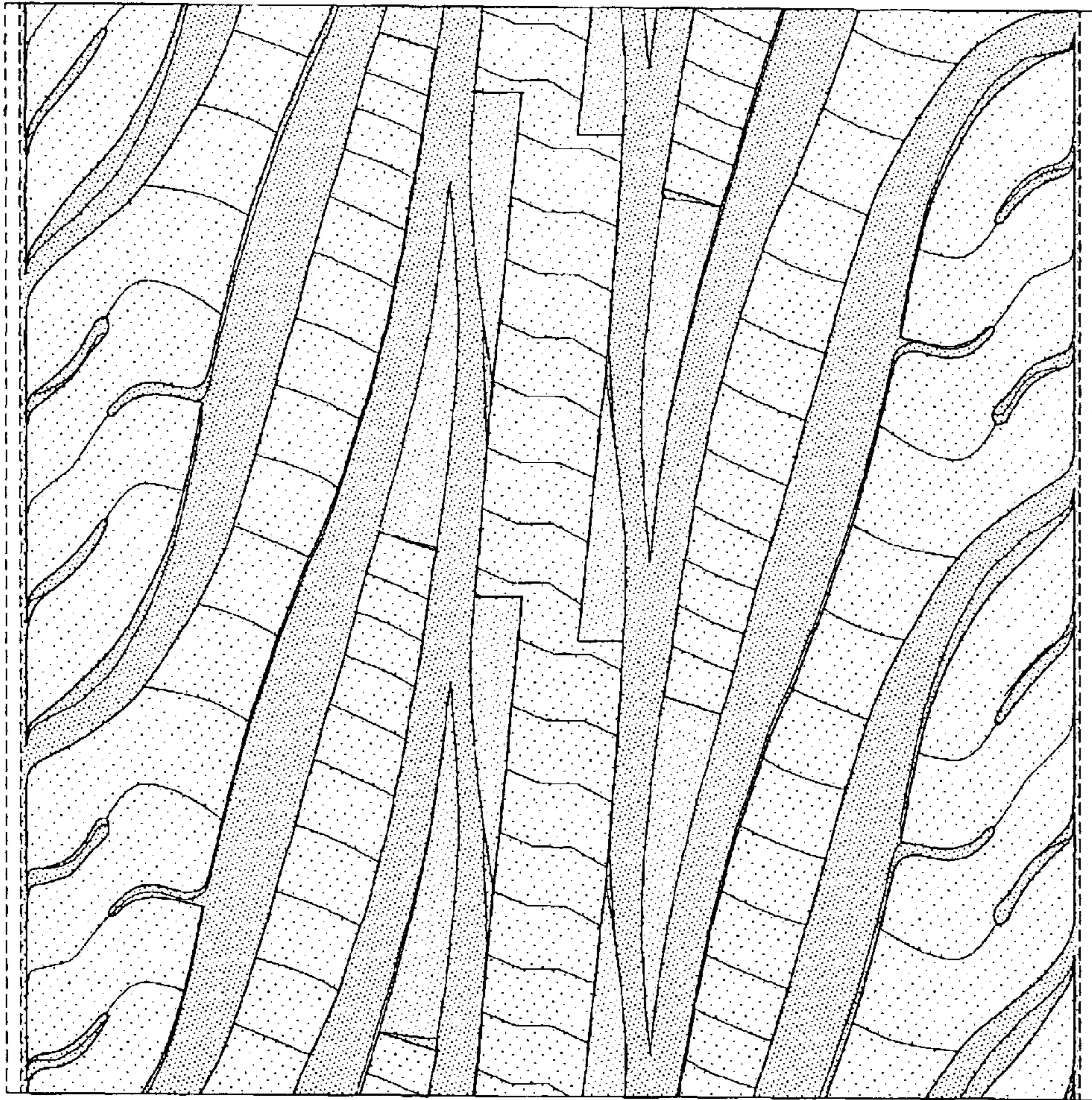


FIG-4