



US00D491128S

(12) **United States Design Patent**
Hall et al.

(10) **Patent No.:** **US D491,128 S**

(45) **Date of Patent:** **** Jun. 8, 2004**

(54) **PORTION OF A VEHICLE WHEEL**

(75) Inventors: **Jarad William Hall**, Manhattan Beach, CA (US); **John Andrew Frye**, San Pedro, CA (US); **Mami Endo**, Redondo Beach, CA (US)

(73) Assignee: **Honda Giken Kogyo Kabushiki Kaisha**, Tokyo (JP)

(**) Term: **14 Years**

(21) Appl. No.: **29/190,096**

(22) Filed: **Sep. 16, 2003**

(51) **LOC (7) Cl.** **12-16**

(52) **U.S. Cl.** **D12/211**

(58) **Field of Search** **D12/204-213;**
301/37.101, 64.101, 65

(56) **References Cited**

U.S. PATENT DOCUMENTS

D208,543 S * 9/1967 Halibrand D12/211
D236,975 S * 9/1975 May D12/209

D241,830 S * 10/1976 Patch D12/211
D303,104 S * 8/1989 Shannon D12/211
D454,531 S * 3/2002 Amatino D12/211
D473,505 S * 4/2003 Min D12/209
D478,541 S * 8/2003 Sulahian D12/209
D484,085 S * 12/2003 Tirado D12/211

* cited by examiner

Primary Examiner—Stacia Cadmus

(74) *Attorney, Agent, or Firm*—Plumsea Law Goup, LLC

(57) **CLAIM**

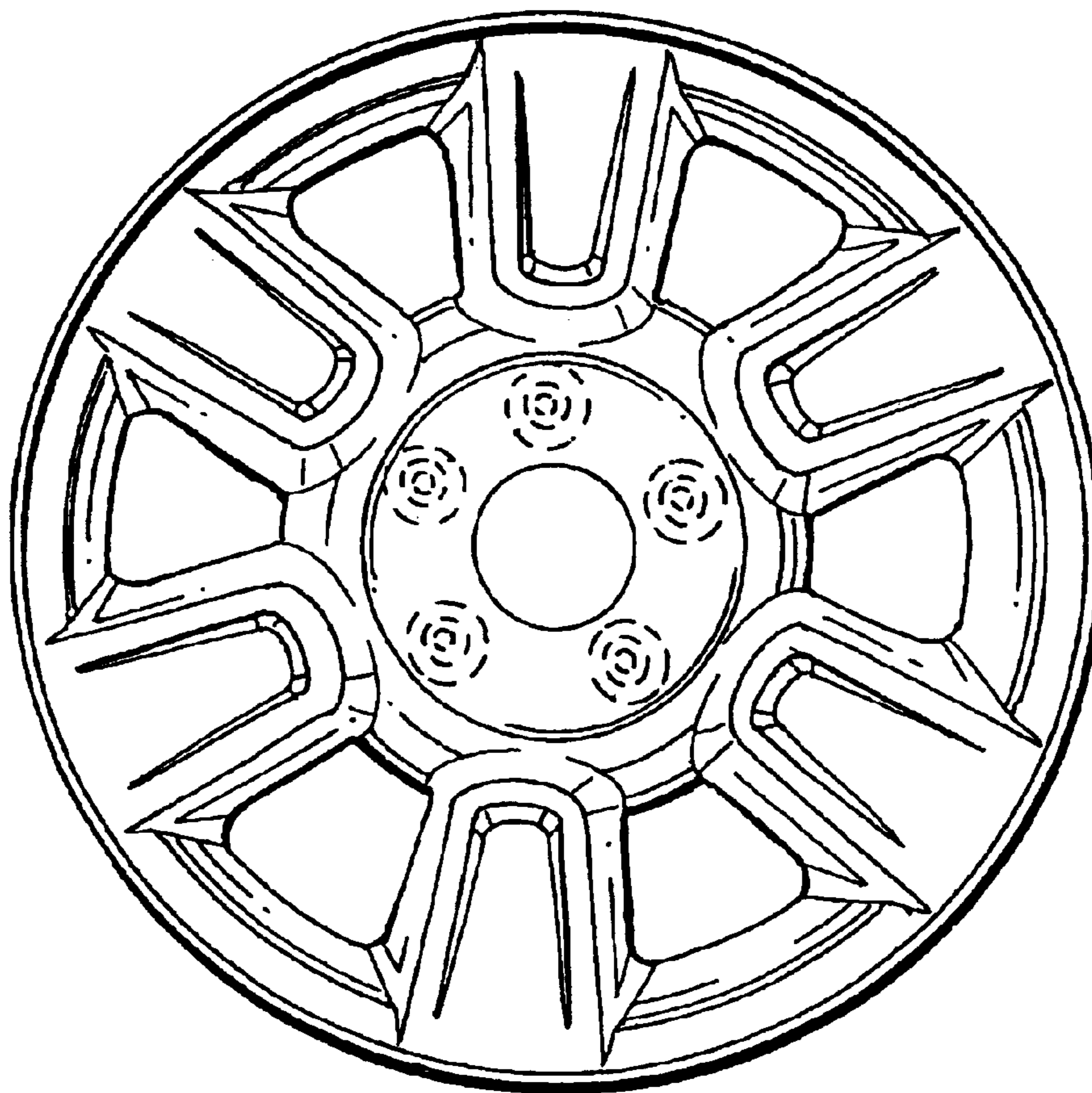
The ornamental design for a portion of a vehicle wheel, as shown and described.

DESCRIPTION

FIG. 1 is a perspective view of a portion of a vehicle wheel showing our new design; and, FIG. 2 is an elevational view thereof.

The broken line showings of the circular elements along the hub are for illustrative purposes only and form no part of the claimed invention.

1 Claim, 1 Drawing Sheet



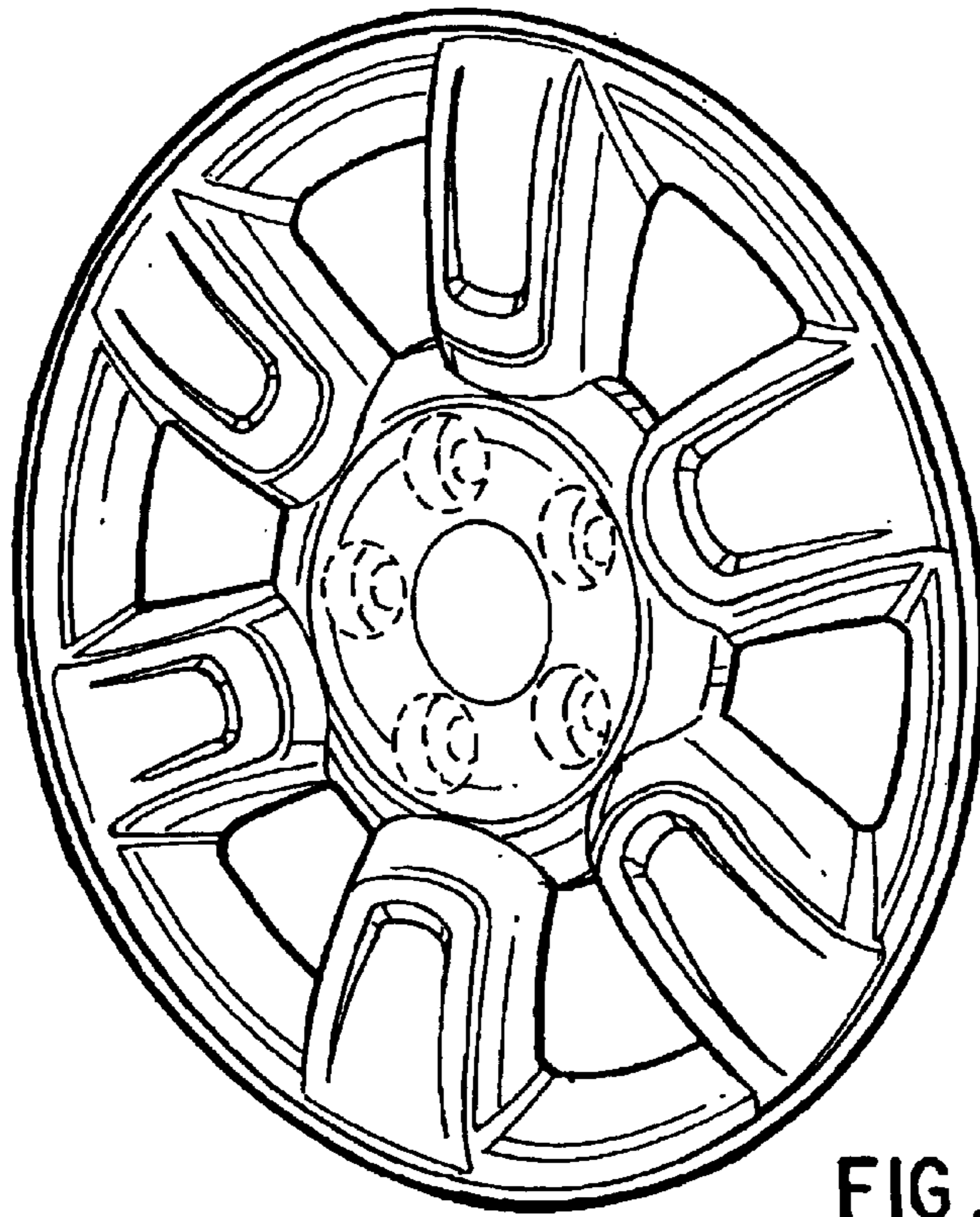


FIG. 1

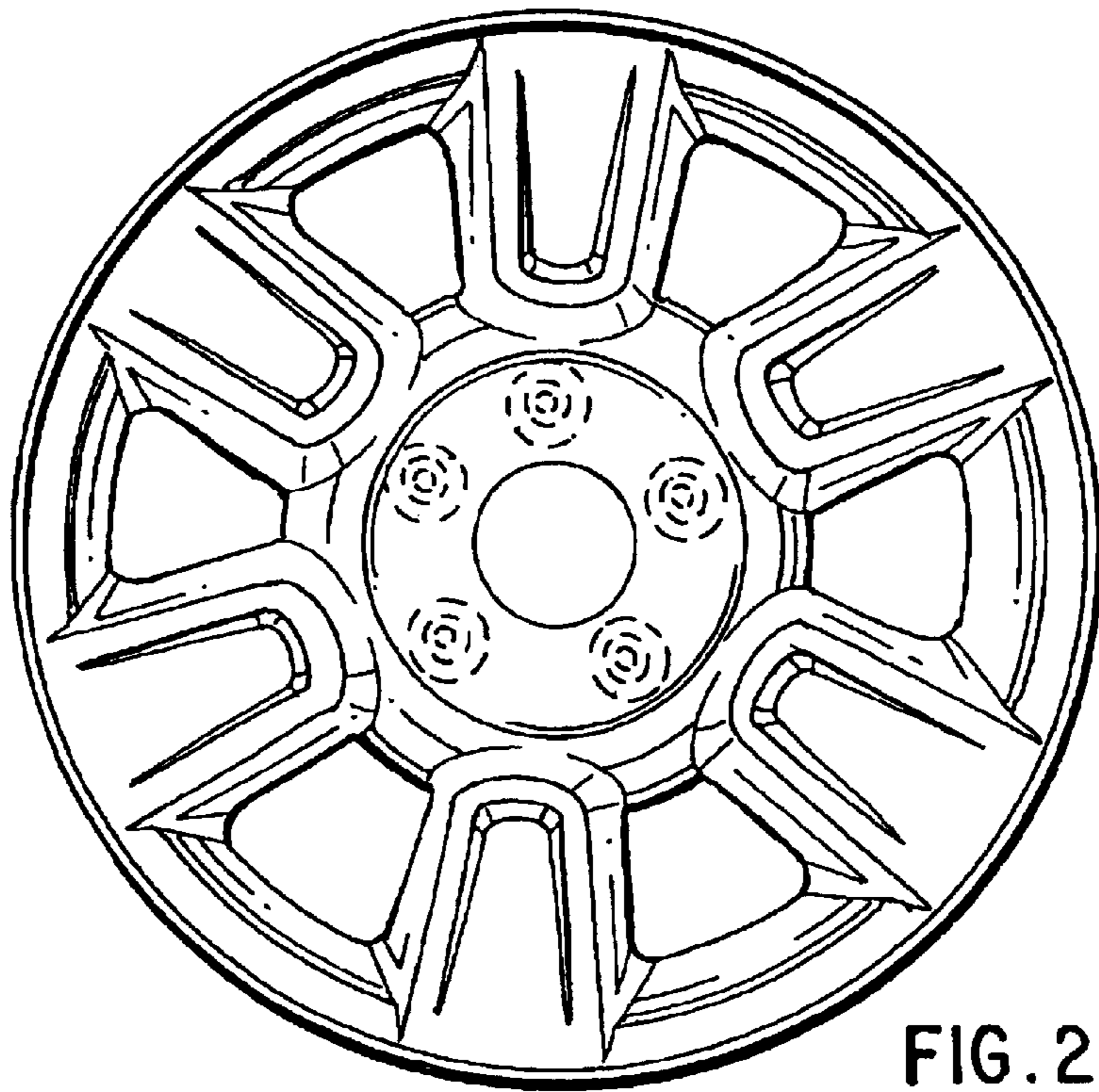


FIG. 2