



US00D491124S

(12) **United States Design Patent**
Rice

(10) **Patent No.:** **US D491,124 S**

(45) **Date of Patent:** **** Jun. 8, 2004**

(54) **FRONT FACE OF A VEHICLE WHEEL**

(75) Inventor: **Kevin Rice**, Feldkirchen (DE)

(73) Assignee: **Bayerische Motoren Werke
Aktiengesellschaft**, Munich (DE)

(**) Term: **14 Years**

(21) Appl. No.: **29/178,683**

(22) Filed: **Mar. 31, 2003**

(30) **Foreign Application Priority Data**

Oct. 1, 2002 (DE) 402 08 288

(51) **LOC (7) Cl.** **12-16**

(52) **U.S. Cl.** **D12/209**

(58) **Field of Search** D12/204-213;
301/37.101, 64.101, 65

(56) **References Cited**

U.S. PATENT DOCUMENTS

- D412,480 S * 8/1999 Hussaini et al. D12/209
- D415,090 S * 10/1999 Pruden D12/209
- D419,942 S 2/2000 Lampkin D12/209
- D435,006 S * 12/2000 Brown D12/209
- D446,762 S * 8/2001 Hussaini et al. D12/209

- D451,461 S * 12/2001 Arellano D12/209
- D460,396 S * 7/2002 Kember et al. D12/209
- D466,467 S * 12/2002 Hodges D12/211
- D474,139 S * 5/2003 Warming D12/209
- D474,439 S * 5/2003 McMath D12/209
- D476,281 S * 6/2003 McMath D12/209
- D477,264 S * 7/2003 Marji D12/209
- D481,342 S * 10/2003 Kang D12/209

* cited by examiner

Primary Examiner—Stacia Cadmus

(74) *Attorney, Agent, or Firm*—Crowell & Moring LLP

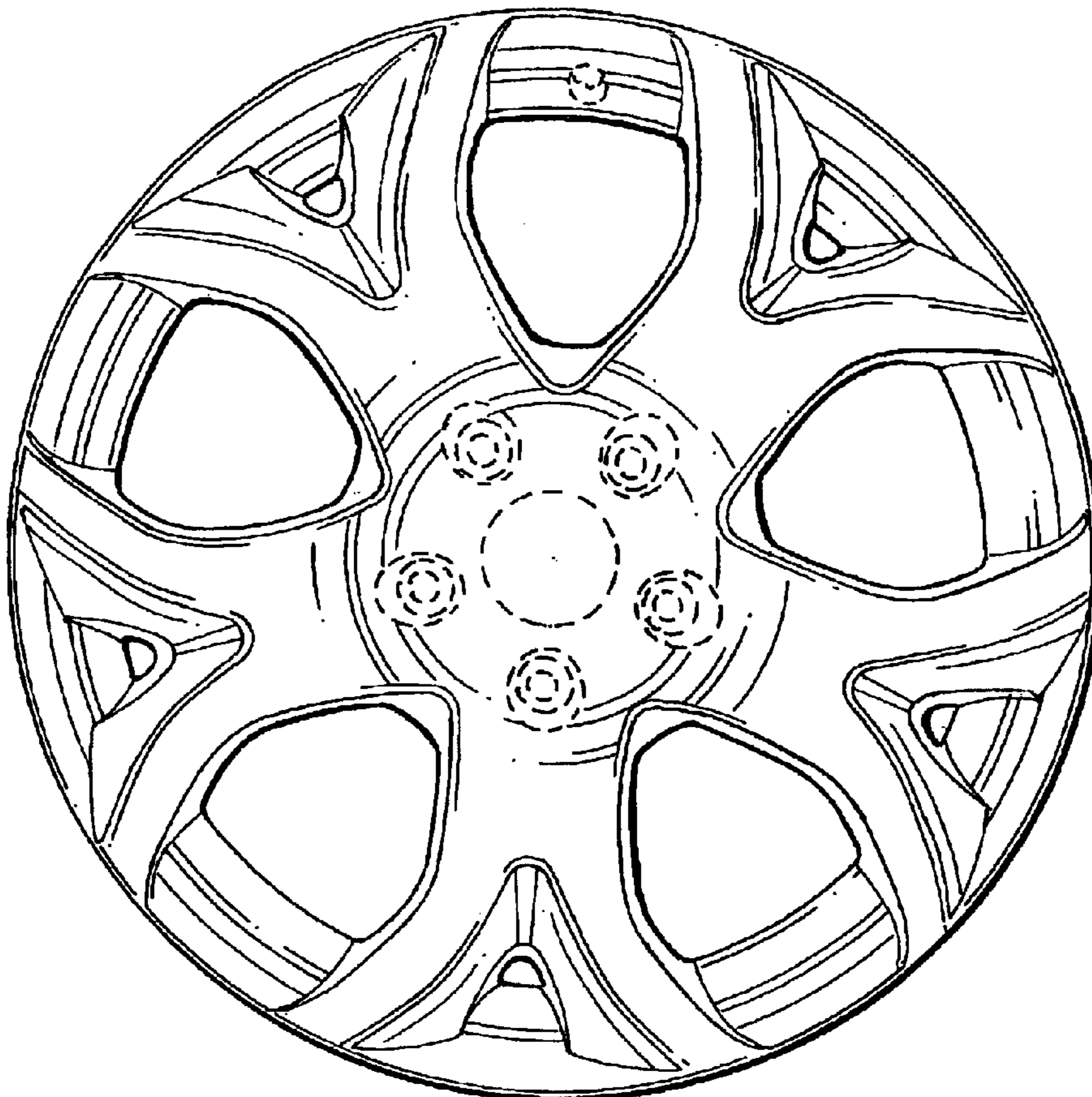
(57) **CLAIM**

The ornamental design for a front face of a vehicle wheel, as shown and described.

DESCRIPTION

FIG. 1 is a front view of a front face of a vehicle wheel according to my novel design; and, FIG. 2 is a perspective view of the front face of a vehicle wheel according to my novel design. The dash lines included depict environment and are not part of the claimed design. Also enclosed is a set of photographs of an embodiment of my invention.

1 Claim, 1 Drawing Sheet



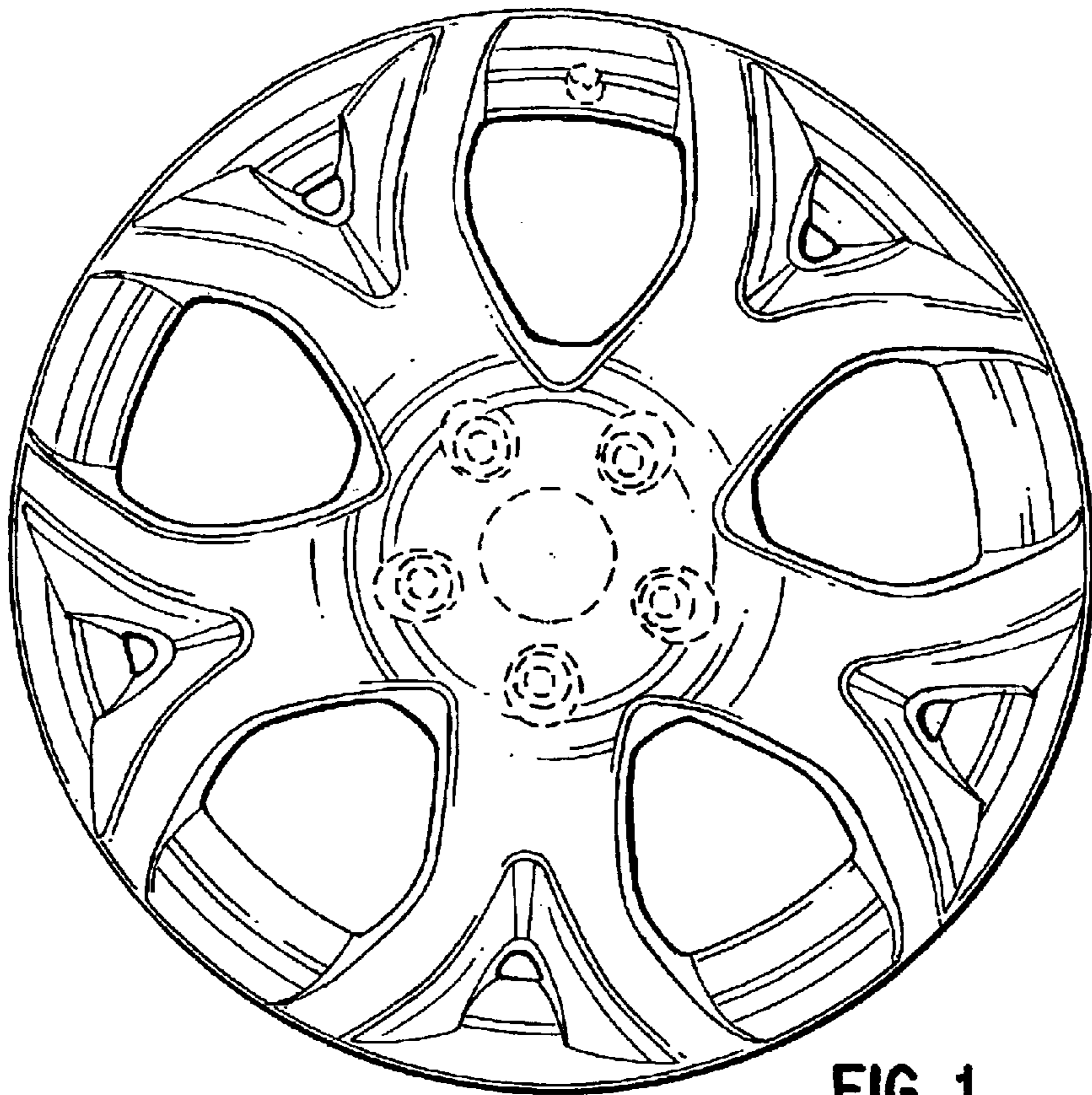


FIG. 1

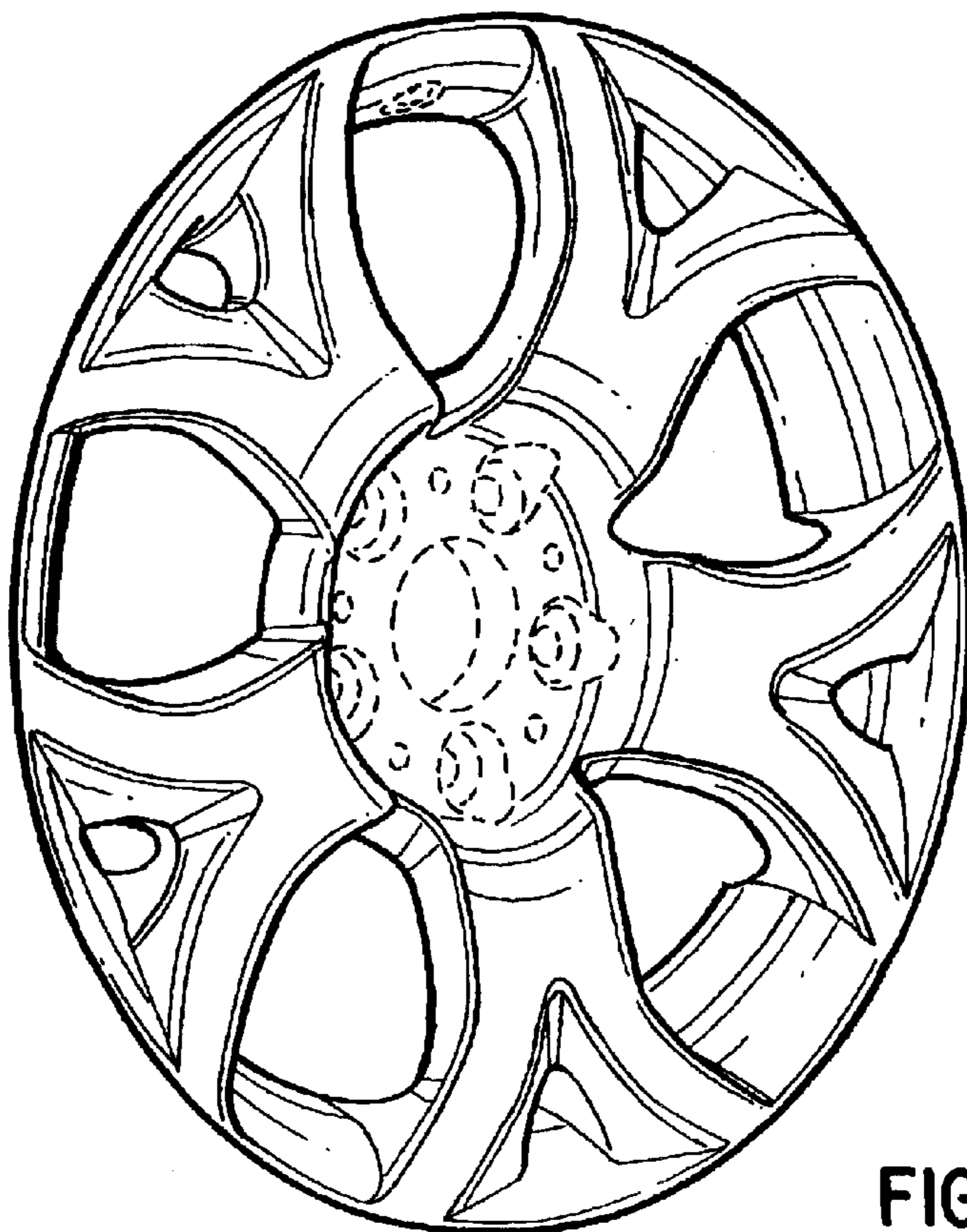


FIG. 2