



US00D491112S

(12) **United States Design Patent**
Francis et al.

(10) **Patent No.:** **US D491,112 S**

(45) **Date of Patent:** **** Jun. 8, 2004**

(54) **MOTORCYCLE FORK COVER**

(75) Inventors: **Kenneth A. Francis**, Kirkwood, MO (US); **William G. Allemann**, St. Louis, MO (US)

(73) Assignee: **Midwest Motorcycle Supply Distributors Corp.**, Arnold, MO (US)

(**) Term: **14 Years**

(21) Appl. No.: **29/176,014**

(22) Filed: **Feb. 13, 2003**

(51) **LOC (7) Cl.** **12-11**

(52) **U.S. Cl.** **D12/126**

(58) **Field of Search** D12/110, 118,
D12/126; 280/276, 279, 304.3; 180/219;
188/322.12, 322.22

(56) **References Cited**

U.S. PATENT DOCUMENTS

D295,396 S	*	4/1988	Rudd et al.	D12/126
D313,774 S	*	1/1991	Hauer	D12/126
6,520,524 B1		2/2003	Costa		

OTHER PUBLICATIONS

J & P Cycles 2001 catalog, Heritage ® Conversion Kit for FXWG and Softail ® Models, 'tin' covers on p. 508.*

* cited by examiner

Primary Examiner—Alan P. Douglas

Assistant Examiner—Linda Brooks

(74) *Attorney, Agent, or Firm*—Thompson Coburn LLP

(57) **CLAIM**

The ornamental design for a motorcycle fork cover, as shown and described.

DESCRIPTION

FIG. 1 is a perspective view of a motorcycle fork cover of the present invention, shown in the environment of a motorcycle fork with which it may be used;

FIG. 2 is a front elevational view of the motorcycle fork cover of FIG. 1, also shown in the environment of a motorcycle fork with which it may be used;

FIG. 3 is a perspective view of the motorcycle fork cover of FIG. 1;

FIG. 4 is a front elevational view of the motorcycle fork cover of FIG. 1;

FIG. 5 is a rear elevational view of the motorcycle fork cover of FIG. 1;

FIG. 6 is a left side elevational view of the motorcycle fork cover of FIG. 1;

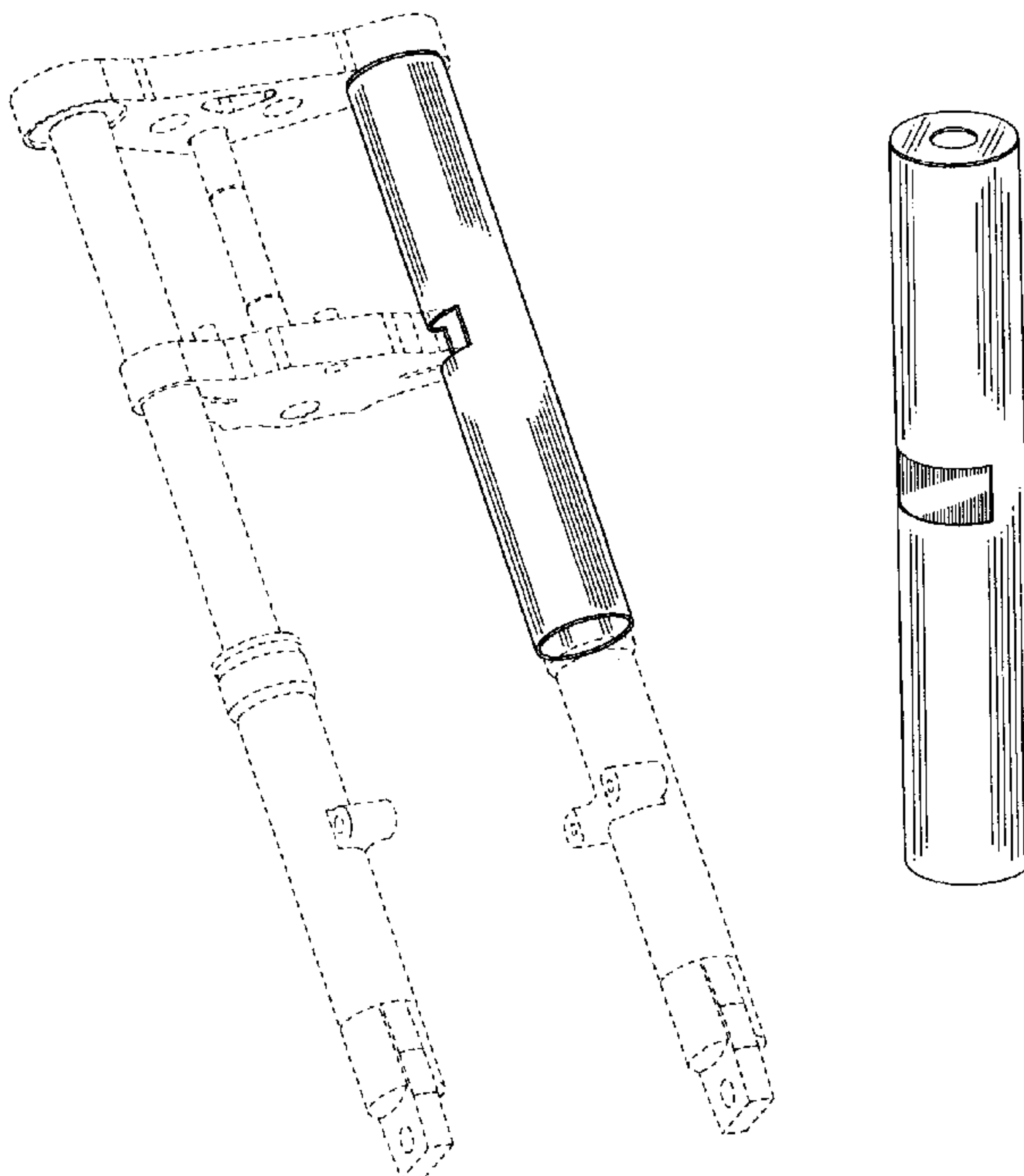
FIG. 7 is a right side elevational view of the motorcycle fork cover of FIG. 1;

FIG. 8 is a top plan view of the motorcycle fork cover of FIG. 1; and,

FIG. 9 is a bottom plan view of the motorcycle fork cover of FIG. 1.

The broken line representation of a motorcycle fork in FIGS. 1 and 2 is for illustrative purposes only and form no part of the claimed design or any specific embodiment thereof. Broken lines that cross over the full line showing of the claimed design in FIG. 1 are showing environment, so it should be understood that the subject matter represented in full lines, which lies beneath the broken lines, is part of the claimed design.

1 Claim, 4 Drawing Sheets



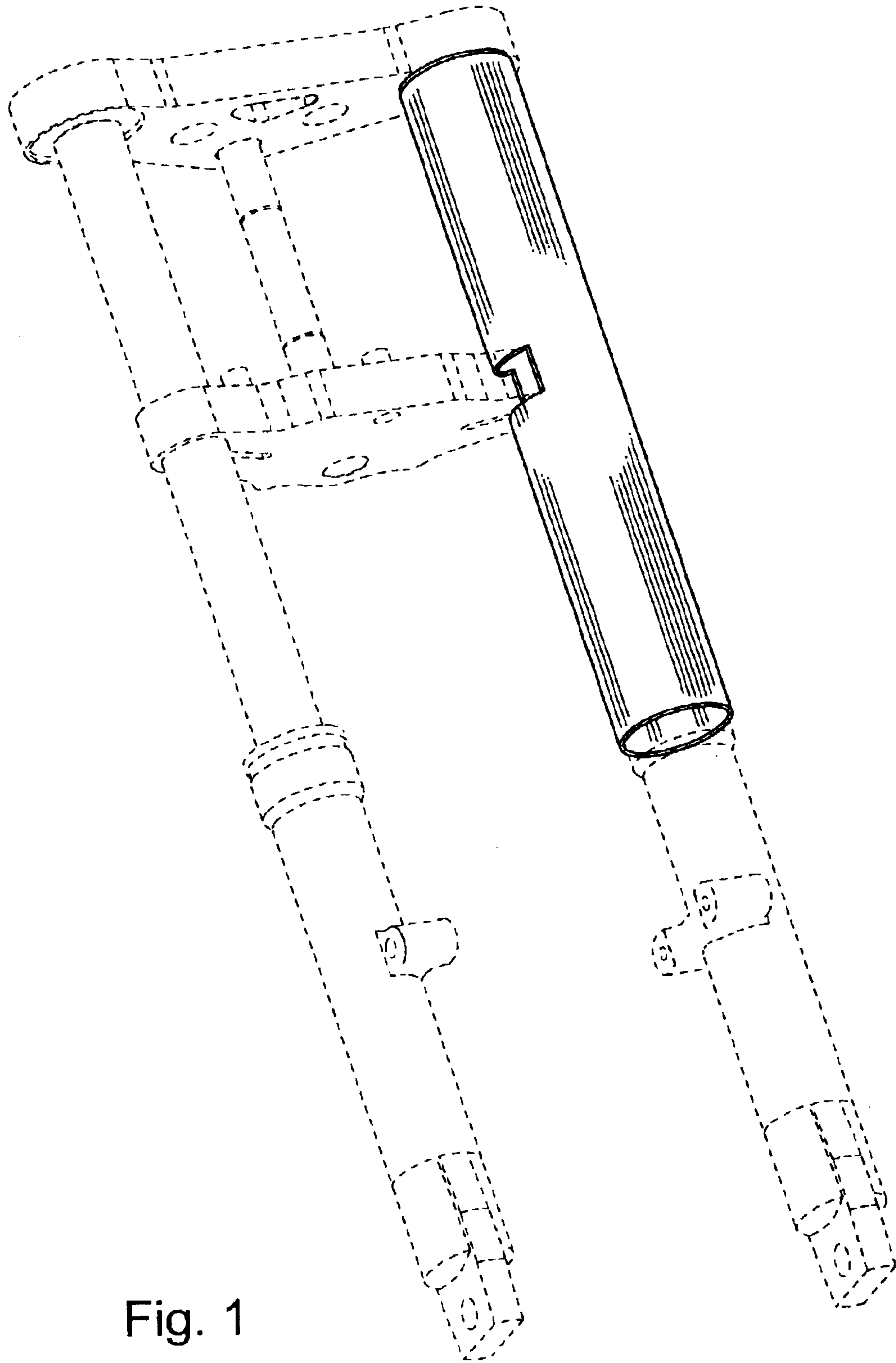


Fig. 1

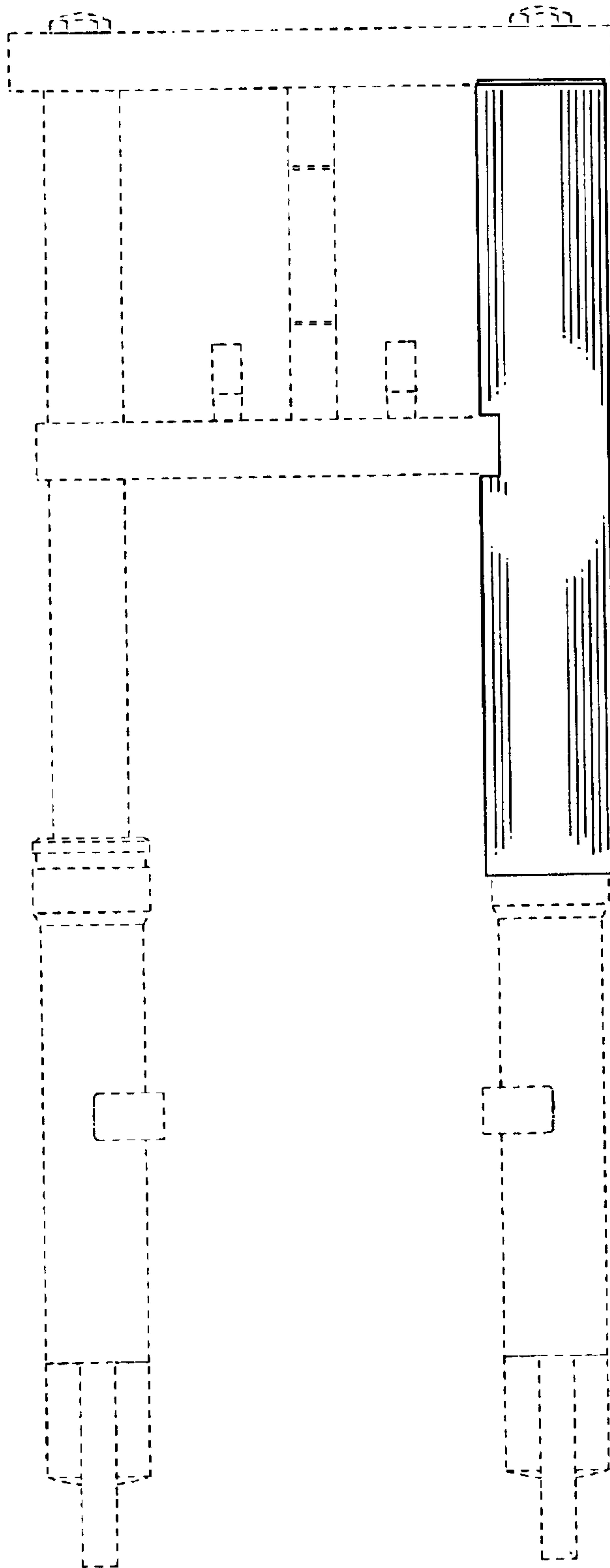


Fig. 2

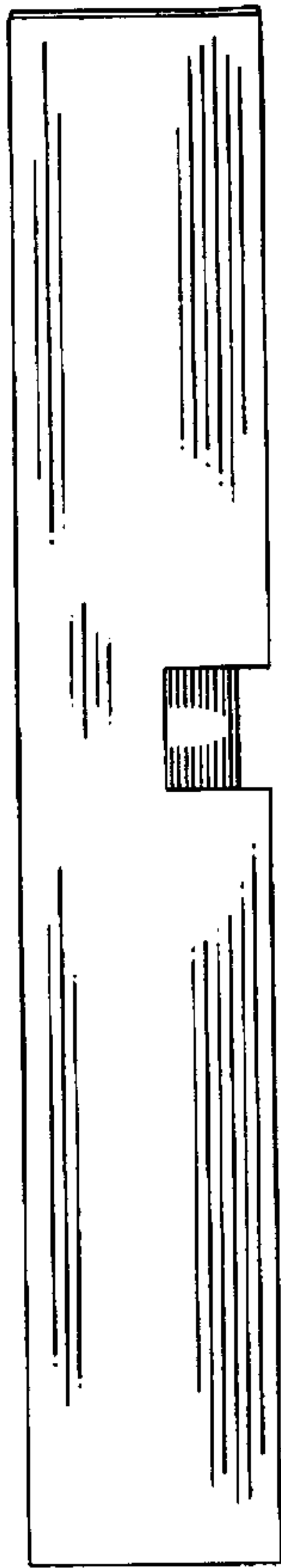


Fig. 5

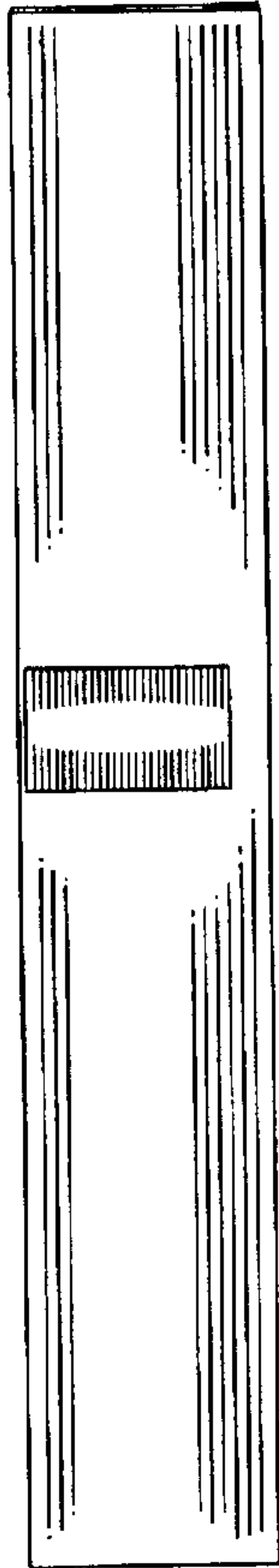


Fig. 6

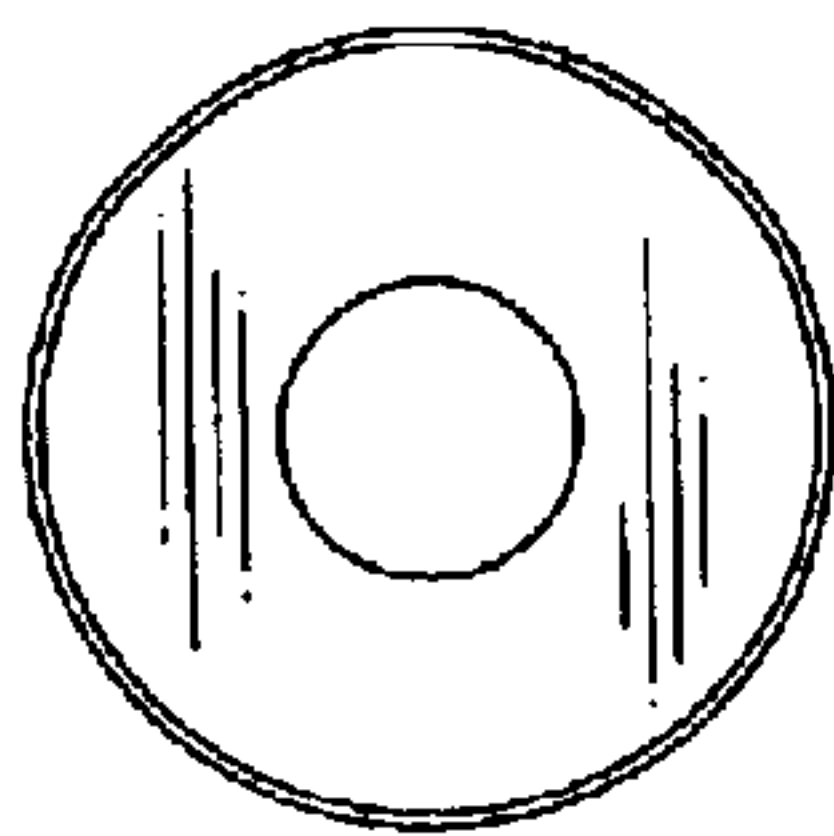


Fig. 8

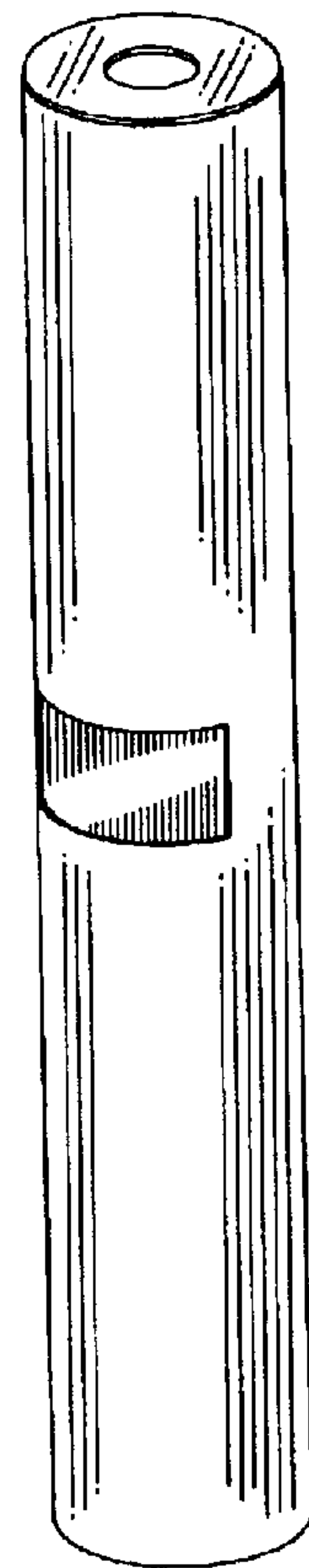


Fig. 3

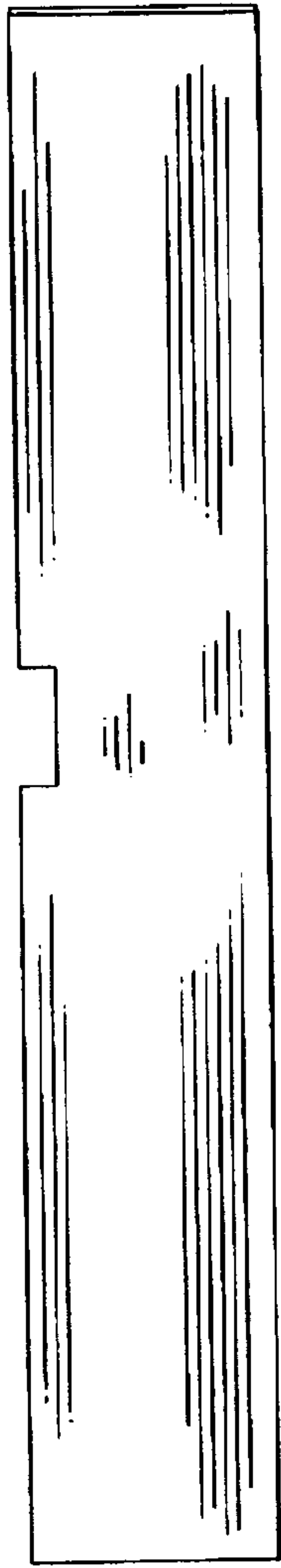


Fig. 4

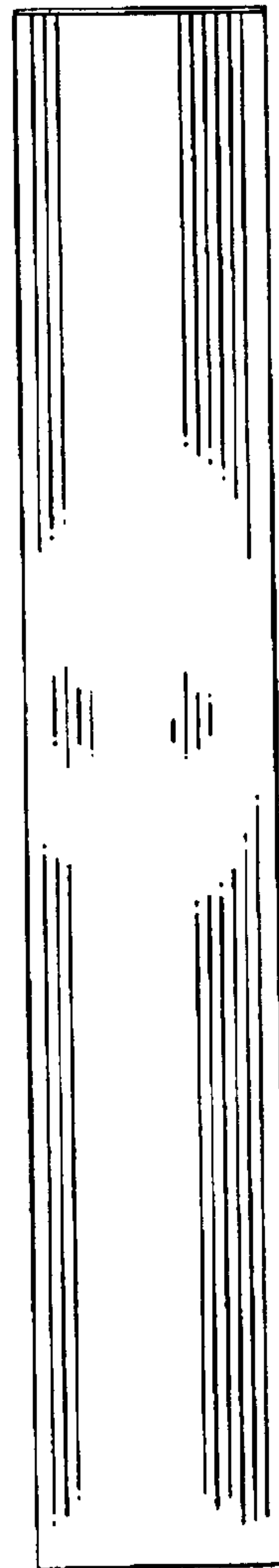


Fig. 7

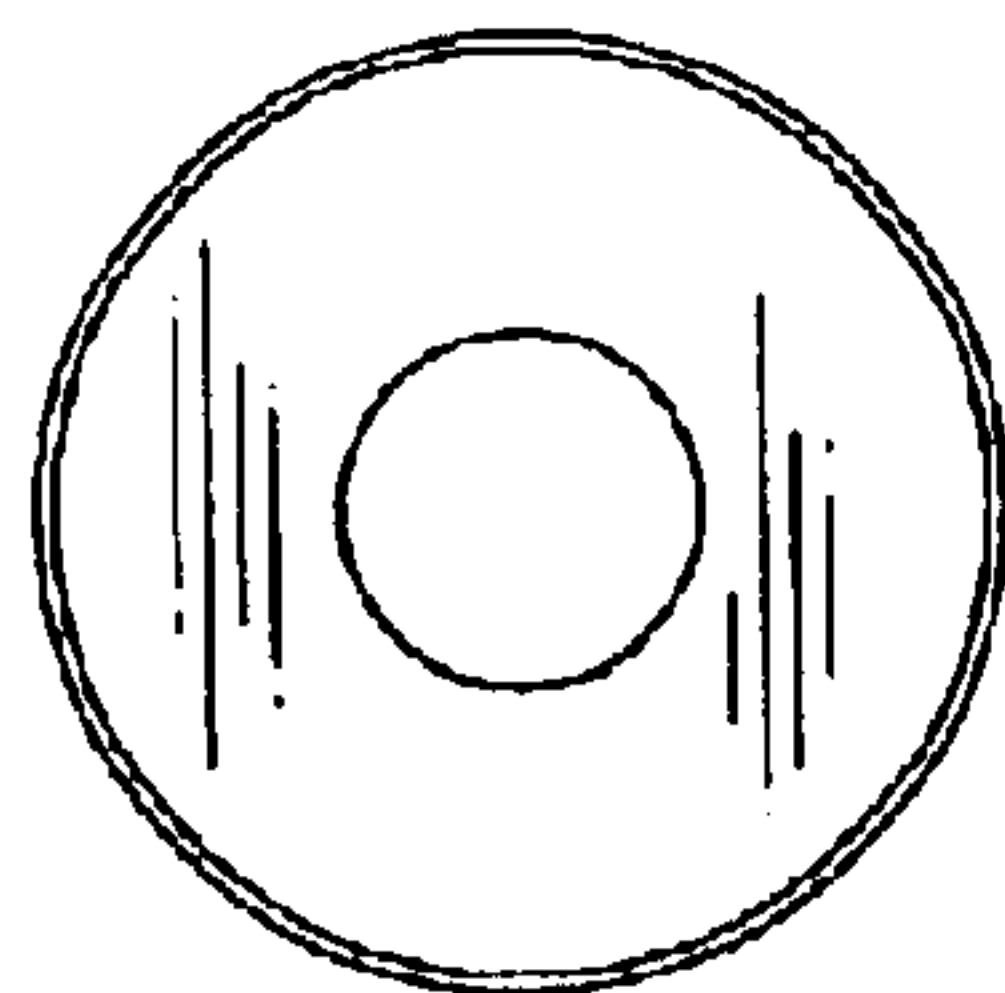


Fig. 9