



US00D49111S

(12) **United States Design Patent**  
**Mizuta et al.**

(10) **Patent No.:** **US D491,111 S**

(45) **Date of Patent:** **\*\* Jun. 8, 2004**

(54) **BICYCLE**

D402,926 S \* 12/1998 Kciuk ..... D12/111

(75) Inventors: **Koji Mizuta, Wako (JP); Kei Fukuyama, Wako (JP)**

\* cited by examiner

(73) Assignee: **Honda Giken Kogyo Kabushiki Kaisha, Tokyo (JP)**

*Primary Examiner*—Alan P. Douglas

*Assistant Examiner*—Linda Brooks

(74) *Attorney, Agent, or Firm*—Sughrue Mion, PLLC

(\*\*) Term: **14 Years**

(57) **CLAIM**

The ornamental design for a bicycle, as shown.

(21) Appl. No.: **29/165,432**

**DESCRIPTION**

(22) Filed: **Aug. 12, 2002**

(30) **Foreign Application Priority Data**

Feb. 13, 2002 (JP) ..... 2002-003399

FIG. 1 is a perspective view of the front and right side of a bicycle showing our new design;

FIG. 2 is a perspective view of the front and left side thereof;

FIG. 3 is a perspective view of the rear and right side thereof;

FIG. 4 is a perspective view of the rear and left side thereof;

FIG. 5 is a right side view thereof;

FIG. 6 is a left side view thereof;

FIG. 7 is a front view thereof;

FIG. 8 is a rear view thereof;

FIG. 9 is a top view thereof; and,

FIG. 10 is a bottom view thereof.

(51) **LOC (7) Cl.** ..... **12-11**

(52) **U.S. Cl.** ..... **D12/111**

(58) **Field of Search** ..... D12/111; 280/274-288, 280/281.1, 288.1-288.3

(56) **References Cited**

**U.S. PATENT DOCUMENTS**

3,931,990 A \* 1/1976 Knapp ..... 280/283

D239,708 S \* 4/1976 Horino ..... D12/111

**1 Claim, 10 Drawing Sheets**

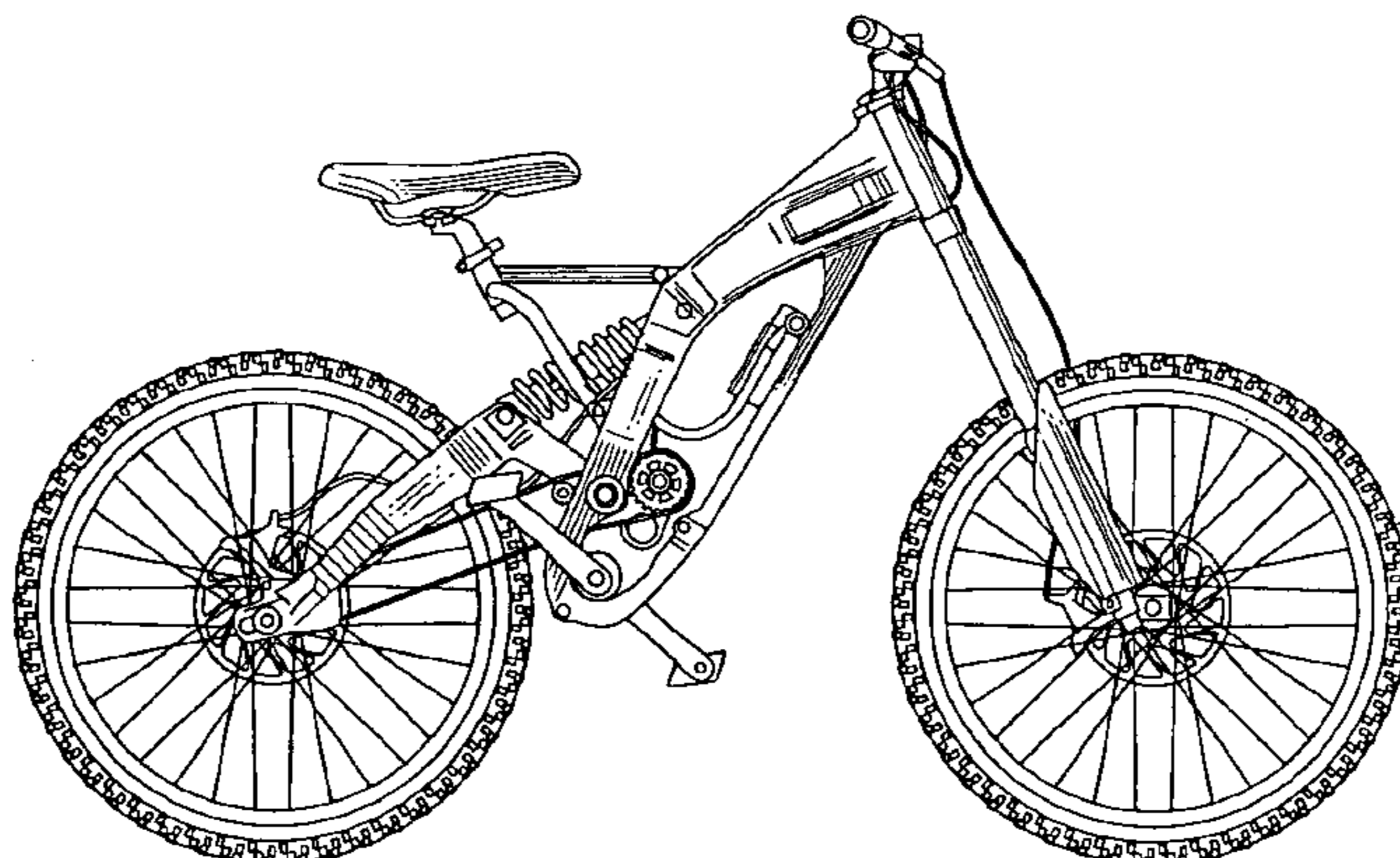
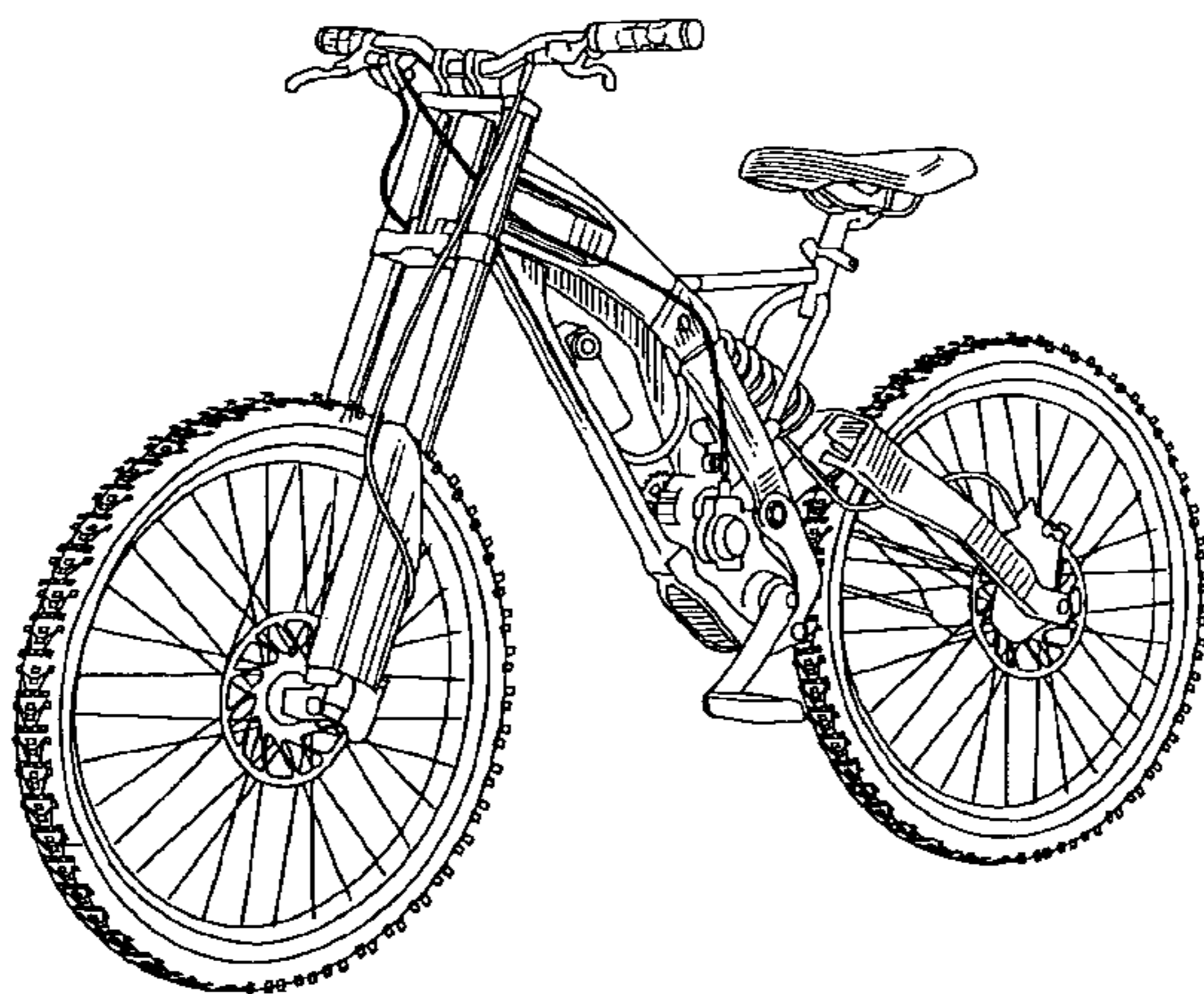


Fig. 1

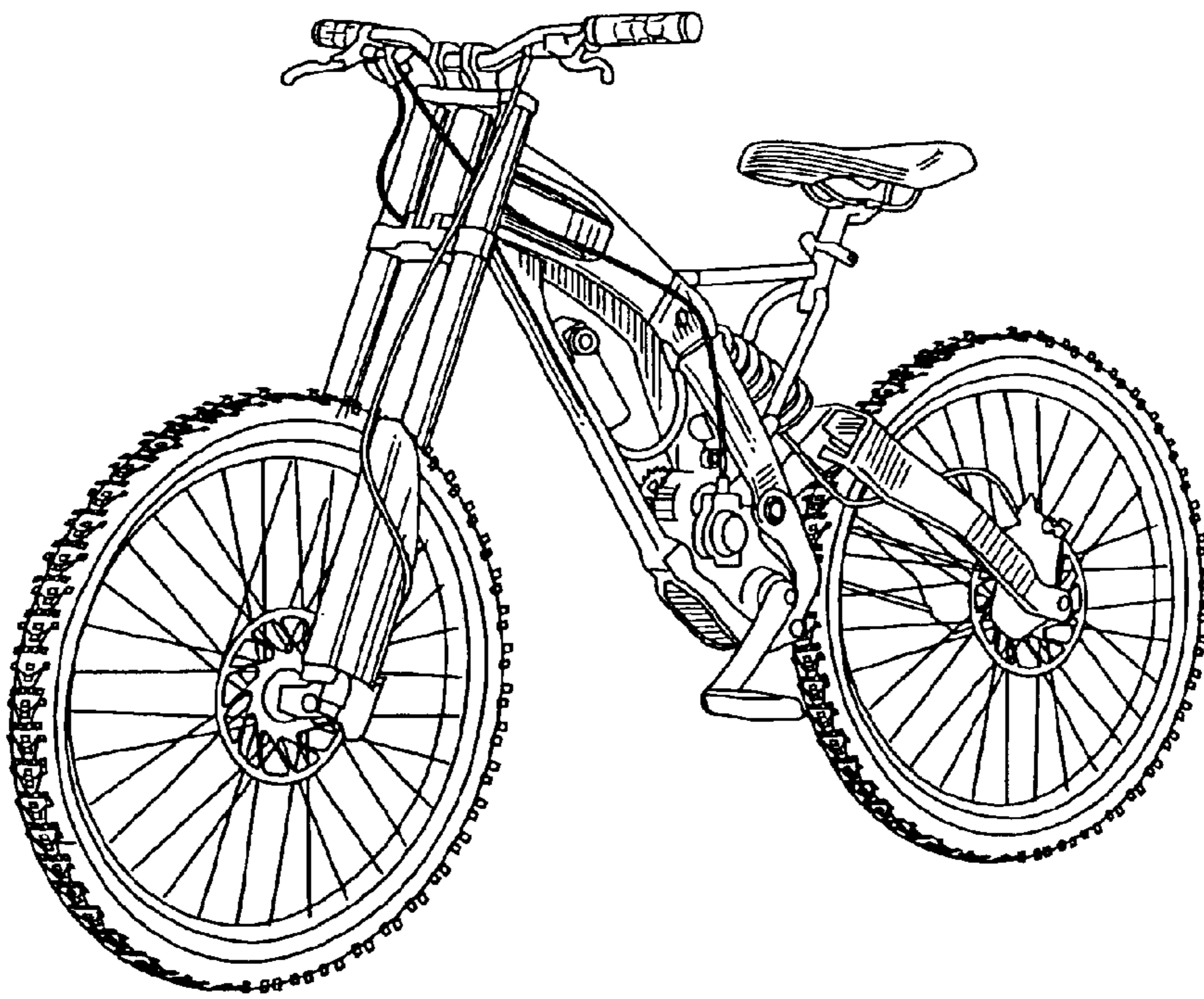


Fig. 2

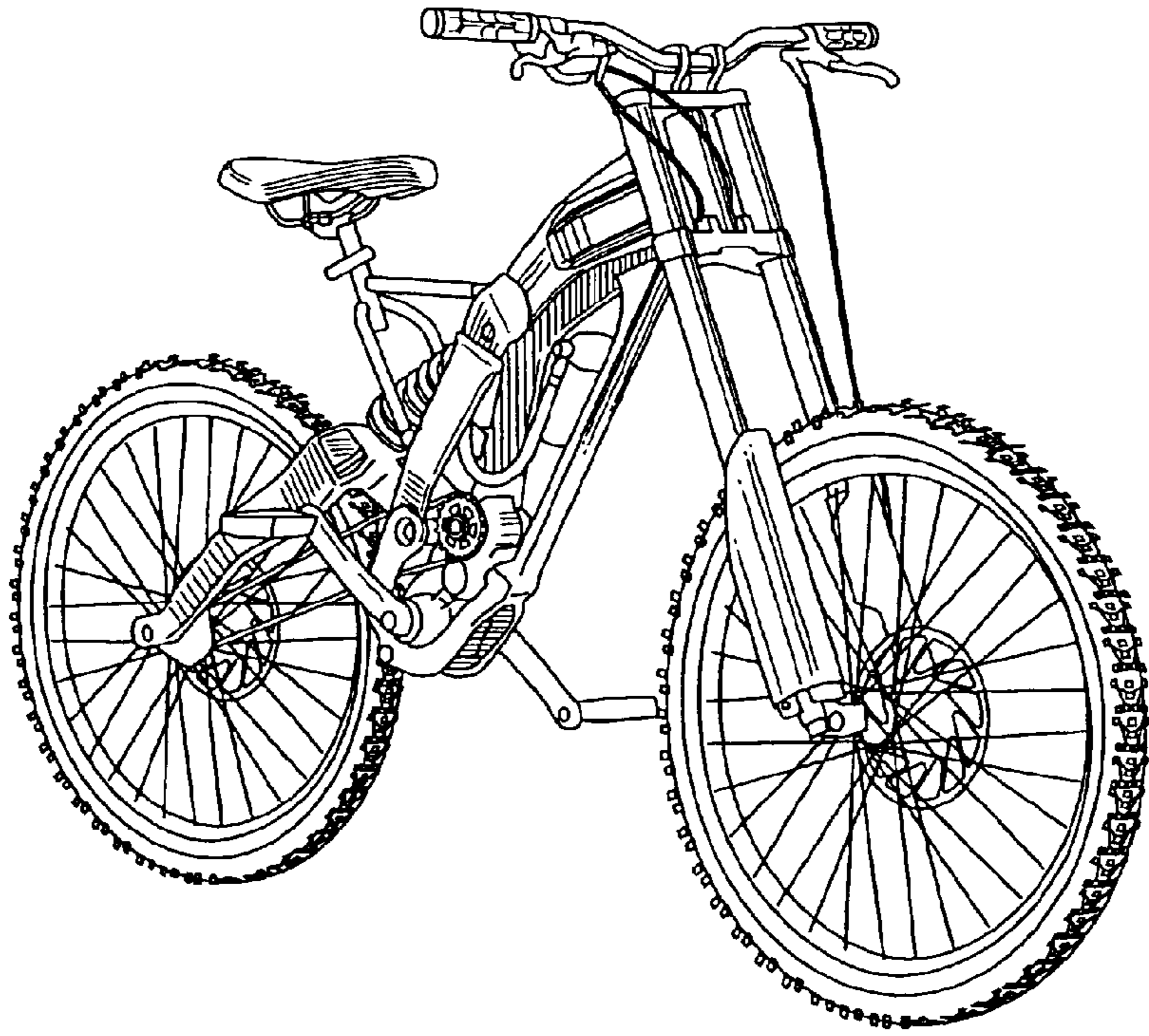




Fig. 3

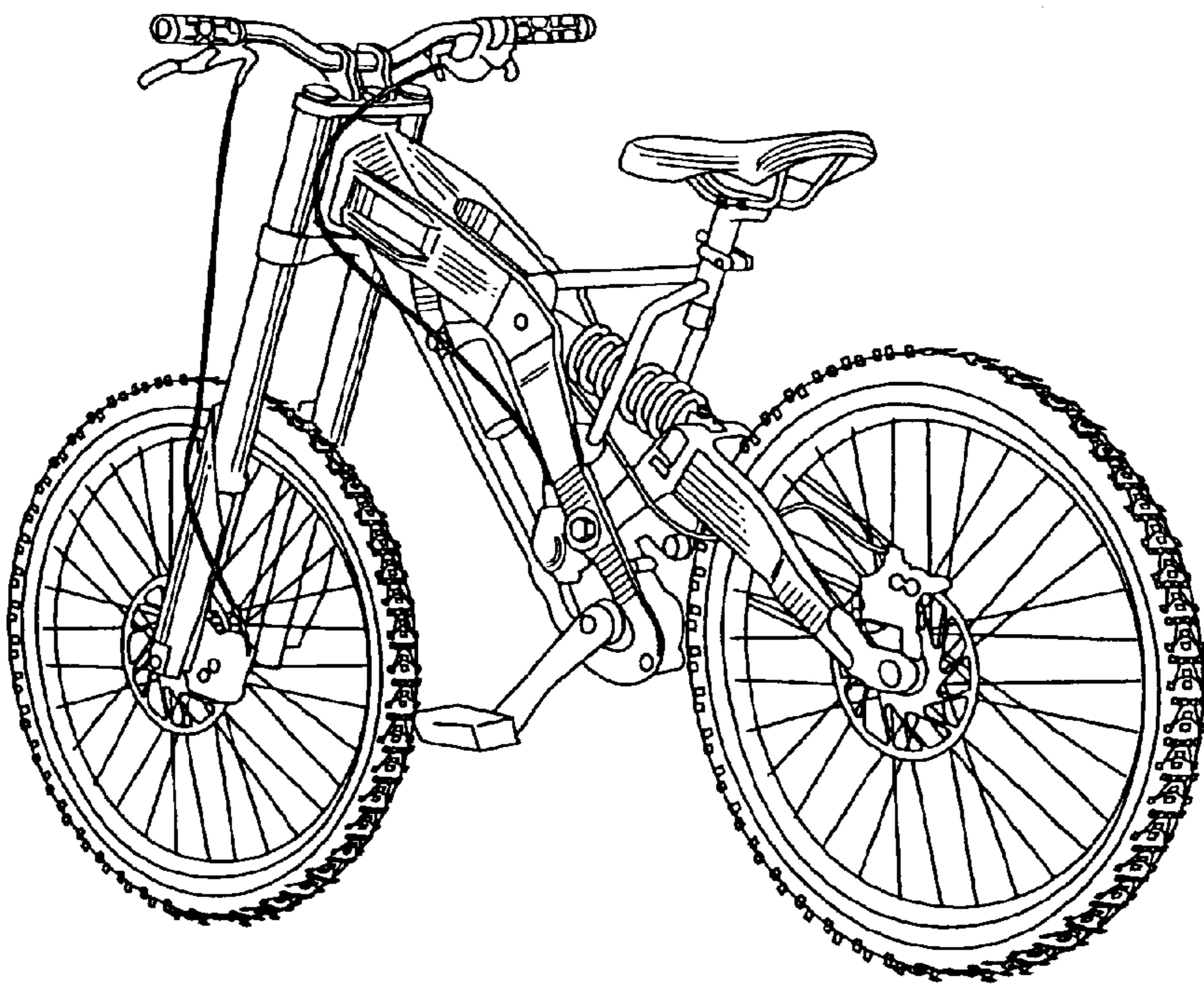


Fig. 4

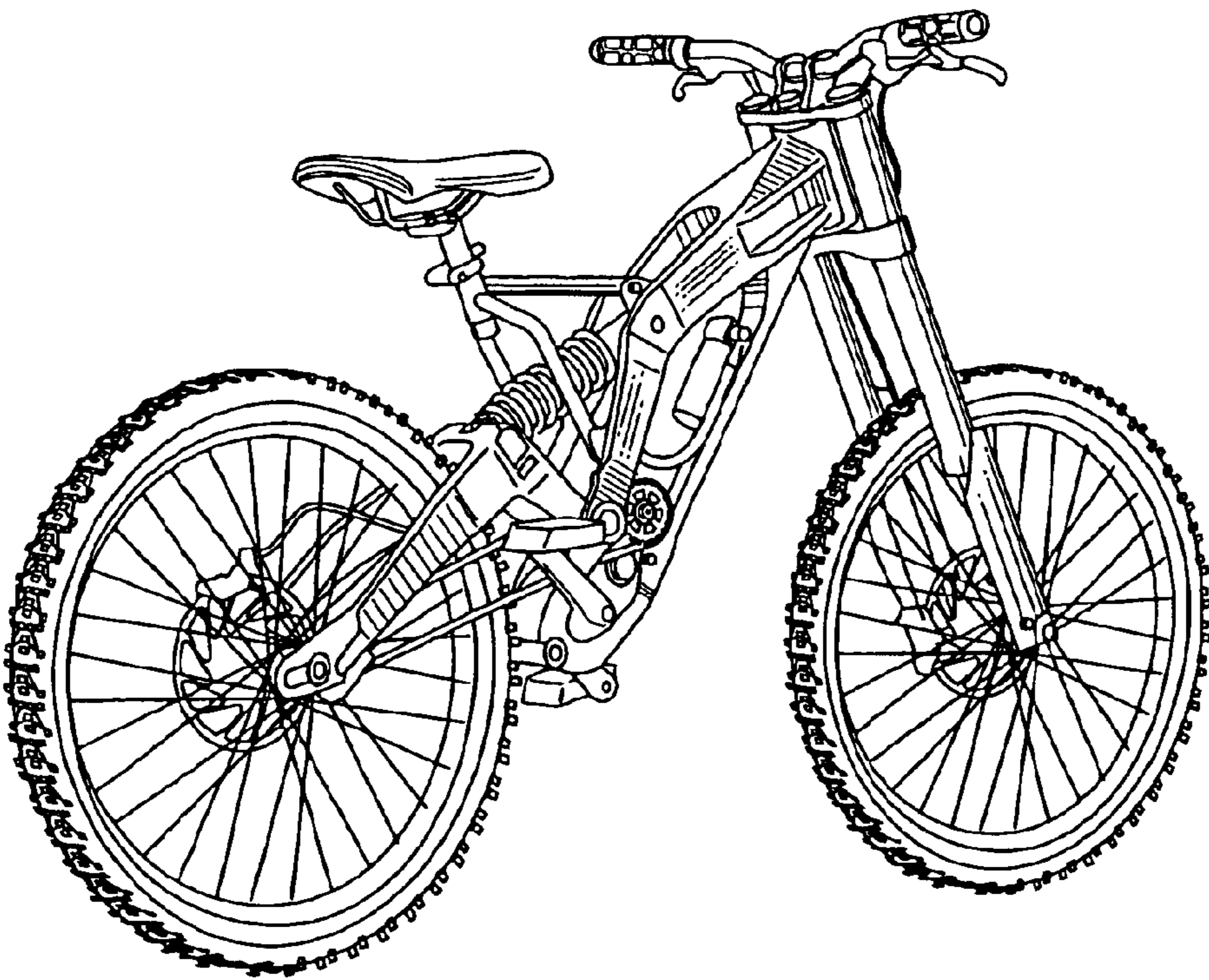


Fig. 5

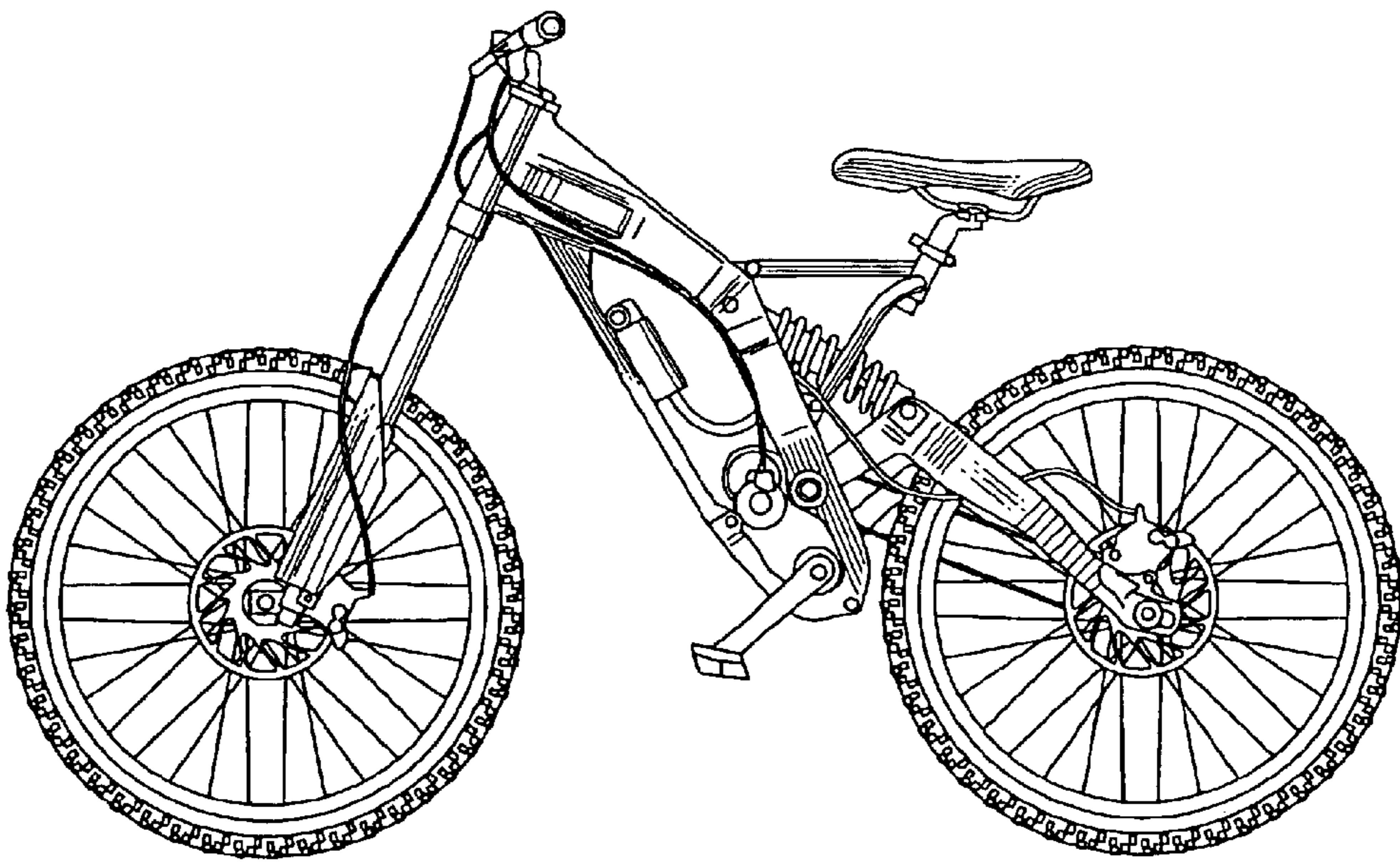


Fig. 6

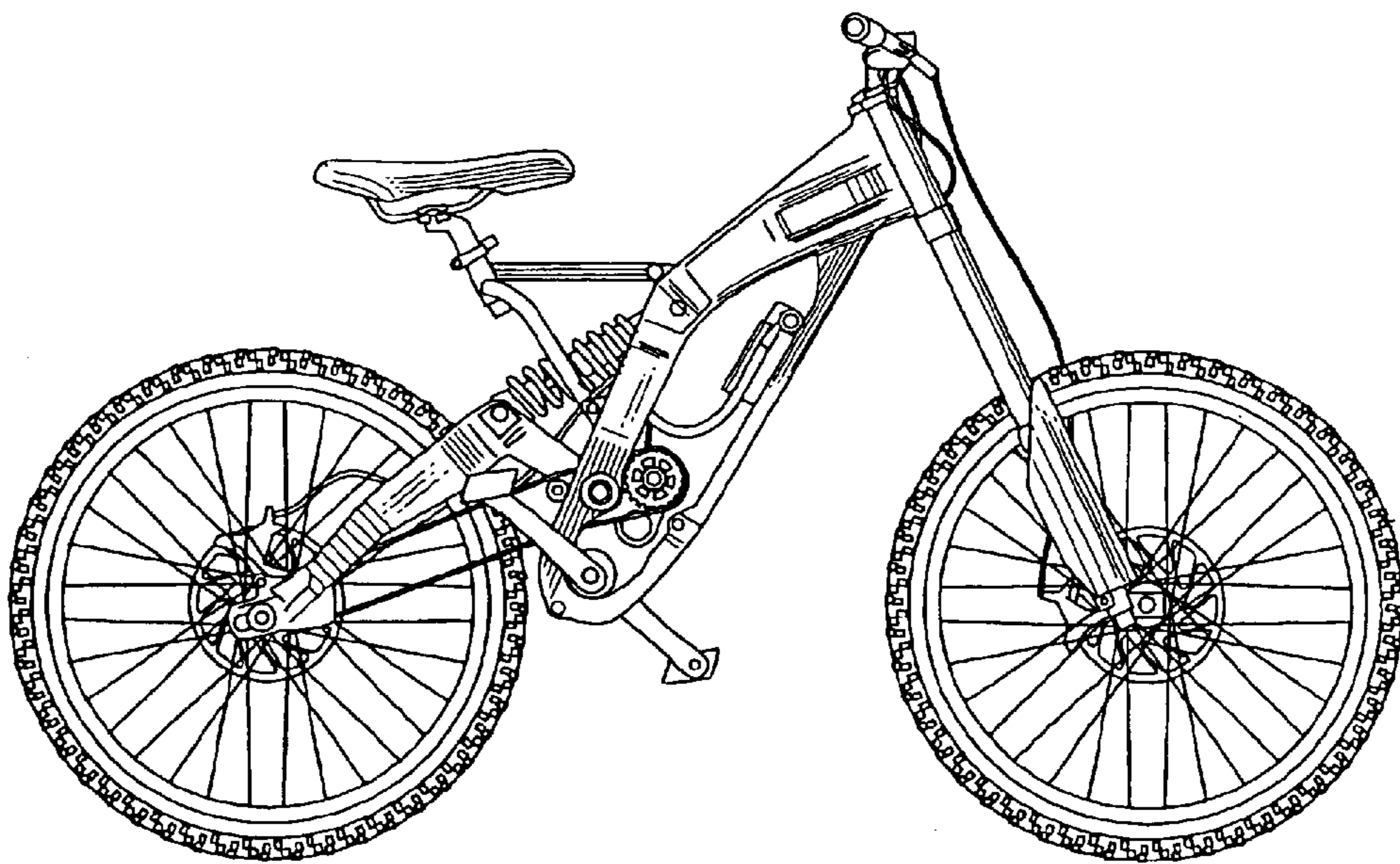


Fig. 7

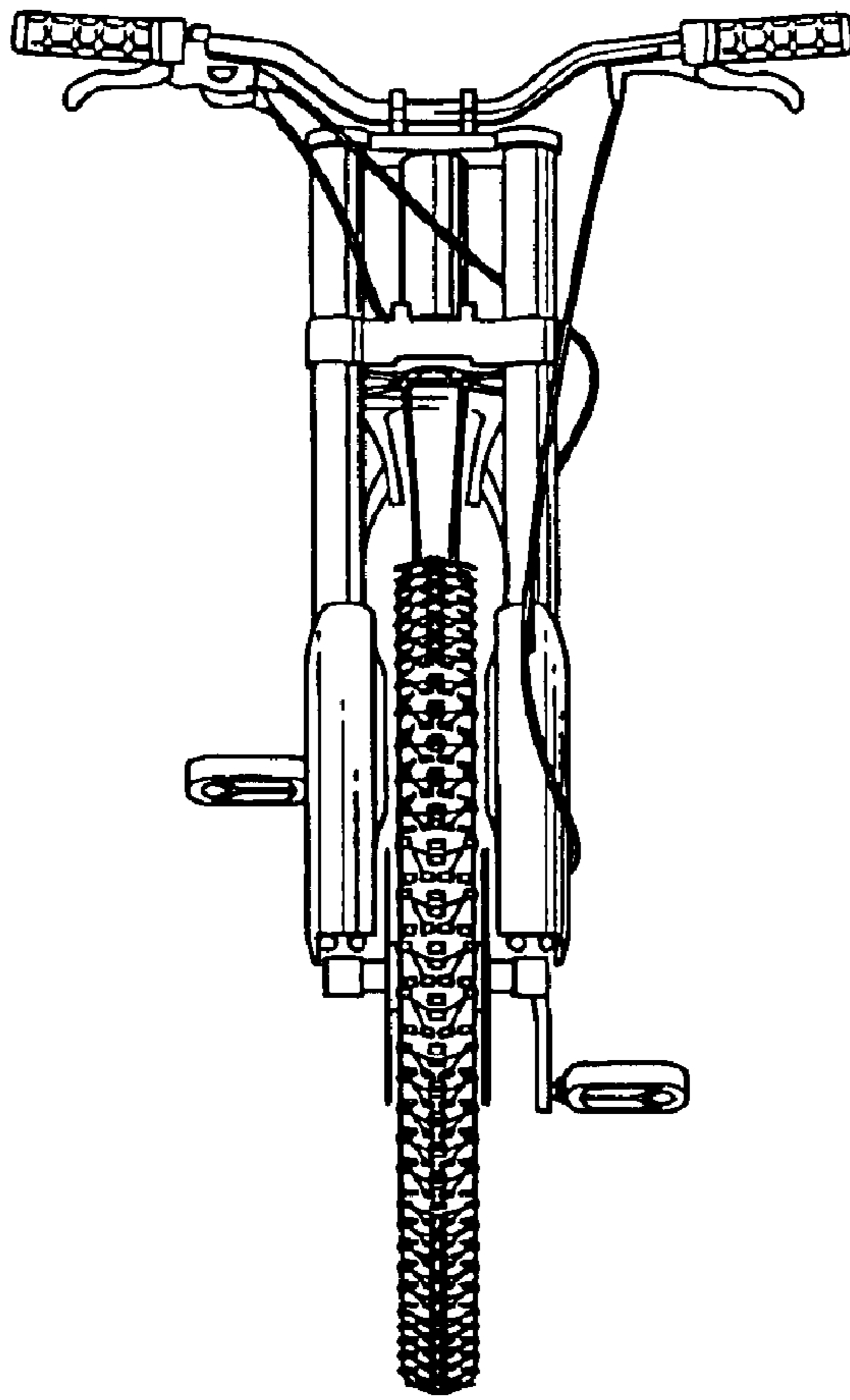




Fig. 8

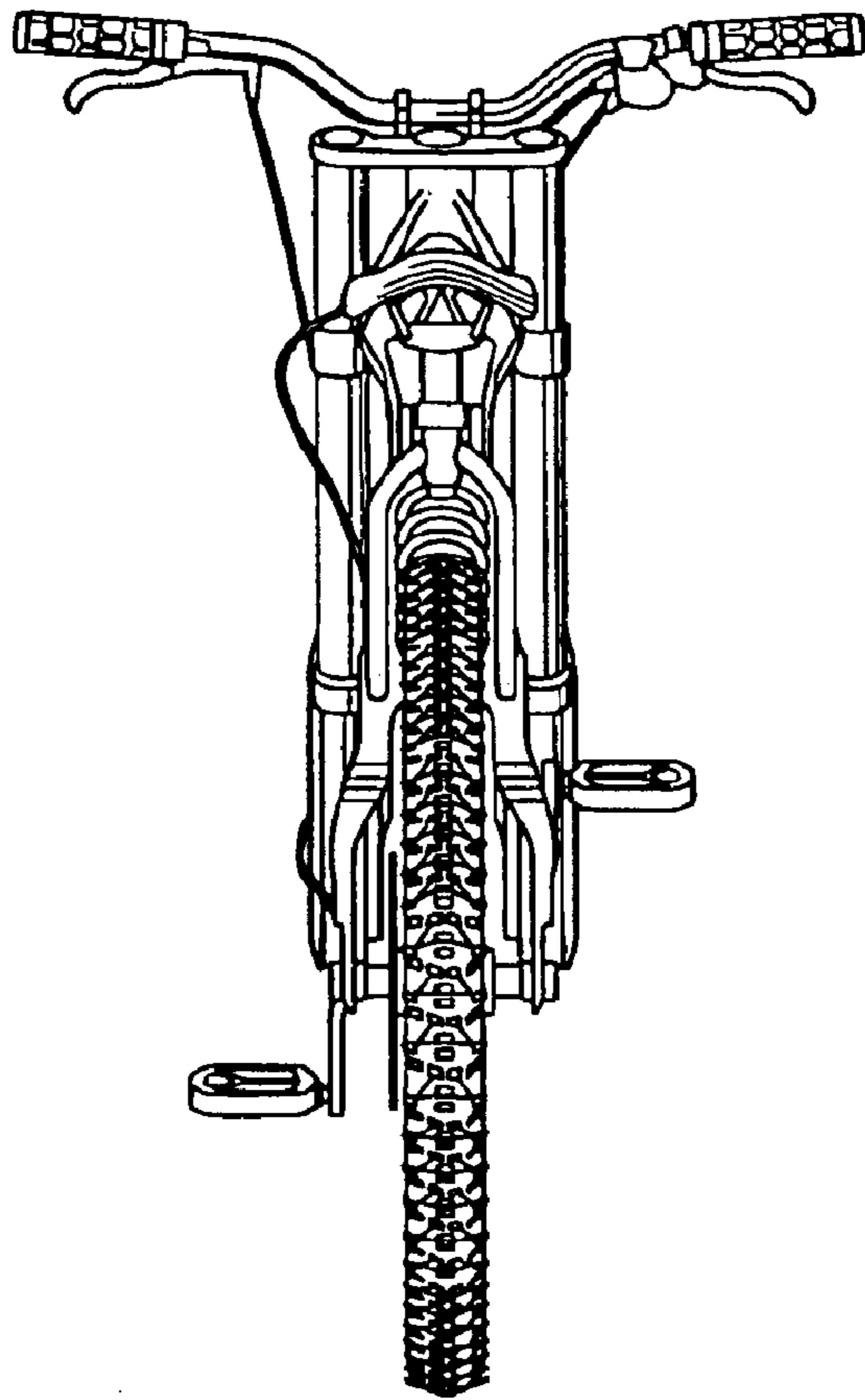


Fig. 9

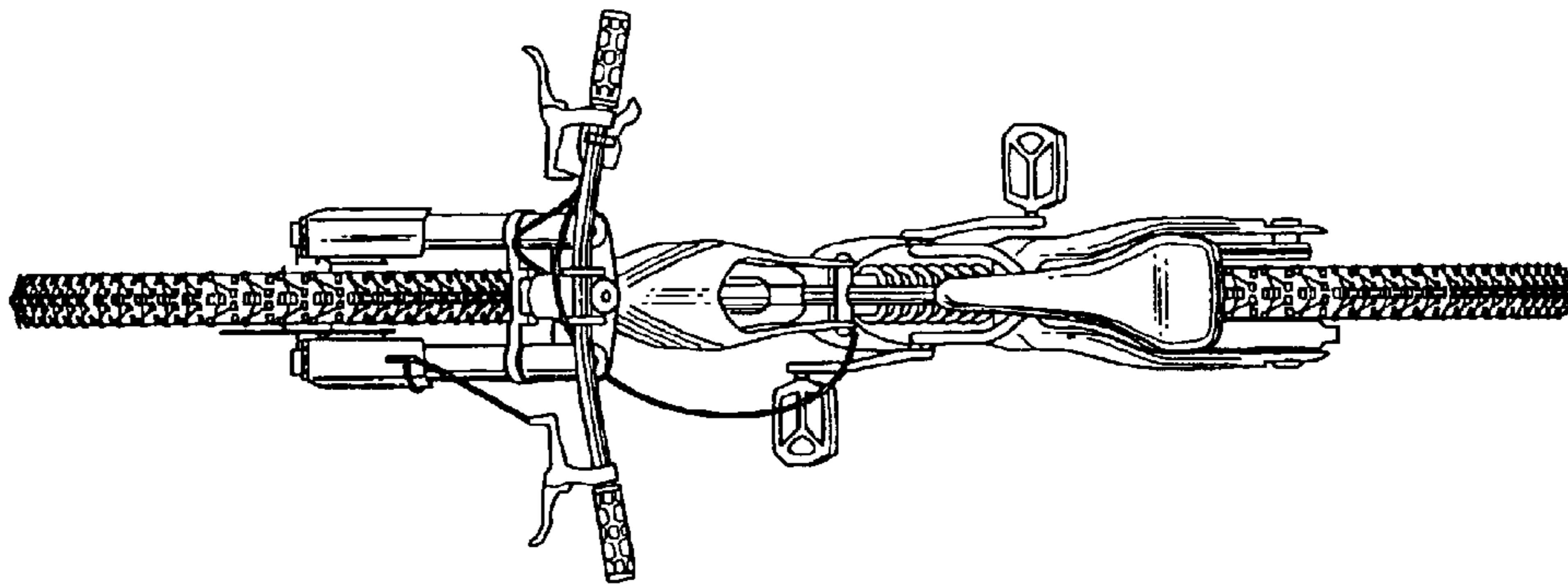


Fig. 10

