



US00D491107S

(12) **United States Design Patent**
Okonkwo

(10) **Patent No.:** **US D491,107 S**

(45) **Date of Patent:** **** Jun. 8, 2004**

(54) **LUXURY VEHICLE BODY**

(75) **Inventor:** **Chidi Okonkwo**, 670 McGill Pl.,
Atlanta, GA (US) 30312

(73) **Assignee:** **Chidi Okonkwo**, Atlanta, GA (US)

(**) **Term:** **14 Years**

(21) **Appl. No.:** **29/185,159**

(22) **Filed:** **Jun. 24, 2003**

(51) **LOC (7) Cl.** **12-08**

(52) **U.S. Cl.** **D12/92**

(58) **Field of Search** D12/90-92, 86,
D12/88; 296/185

(56) **References Cited**

U.S. PATENT DOCUMENTS

- D402,232 S * 12/1998 Hayauchi et al. D12/92
- D437,257 S * 2/2001 Hsu et al. D12/92
- D438,492 S * 3/2001 Nishihata et al. D12/92

- D458,873 S * 6/2002 Choi et al. D12/92
- D464,915 S * 10/2002 Okonkwo D12/92
- D484,440 S * 12/2003 Okonkwo D12/92

* cited by examiner

Primary Examiner—Melody N. Brown

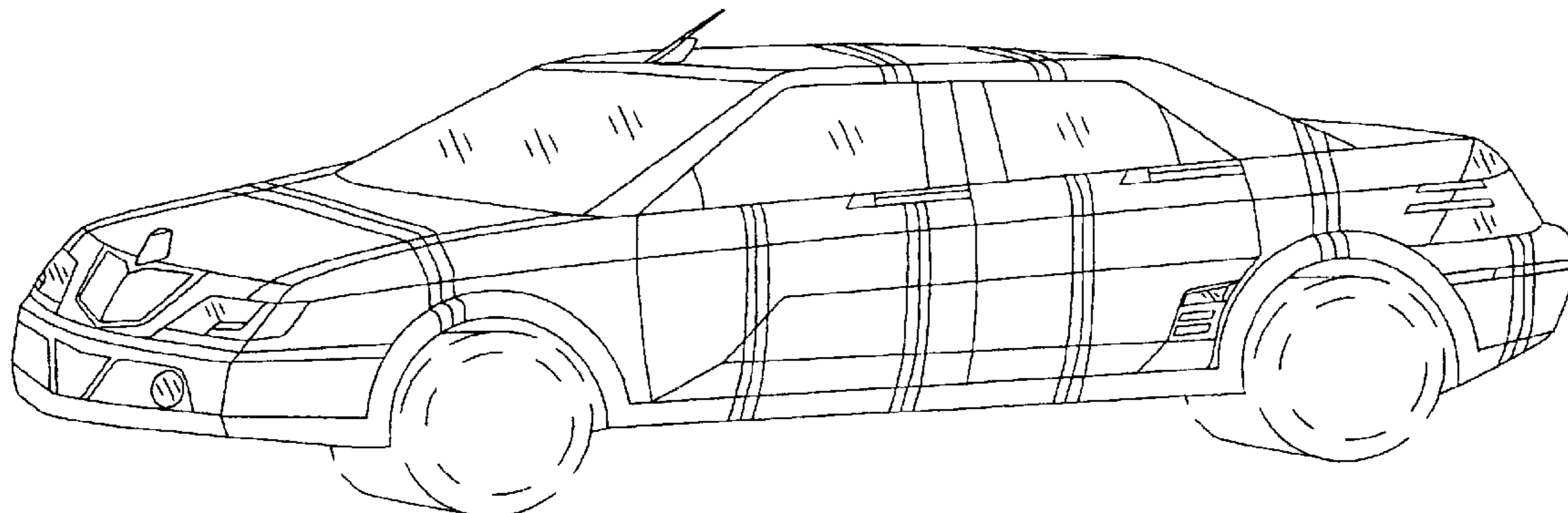
(57) **CLAIM**

The ornamental design for a luxury vehicle body, as shown and described.

DESCRIPTION

FIG. 1 is a perspective view of the luxury vehicle body, showing my new design;
 FIG. 2 is a rear perspective view thereof, showing the rear break lights with the flared panels and exhaust;
 FIG. 3 is a side view thereof, showing the turn signal incorporated into the rear door, mounted on a small panel and the streamlined door handles;
 FIG. 4 is a rear view thereof; and,
 FIG. 5 is a front view thereof.

1 Claim, 4 Drawing Sheets



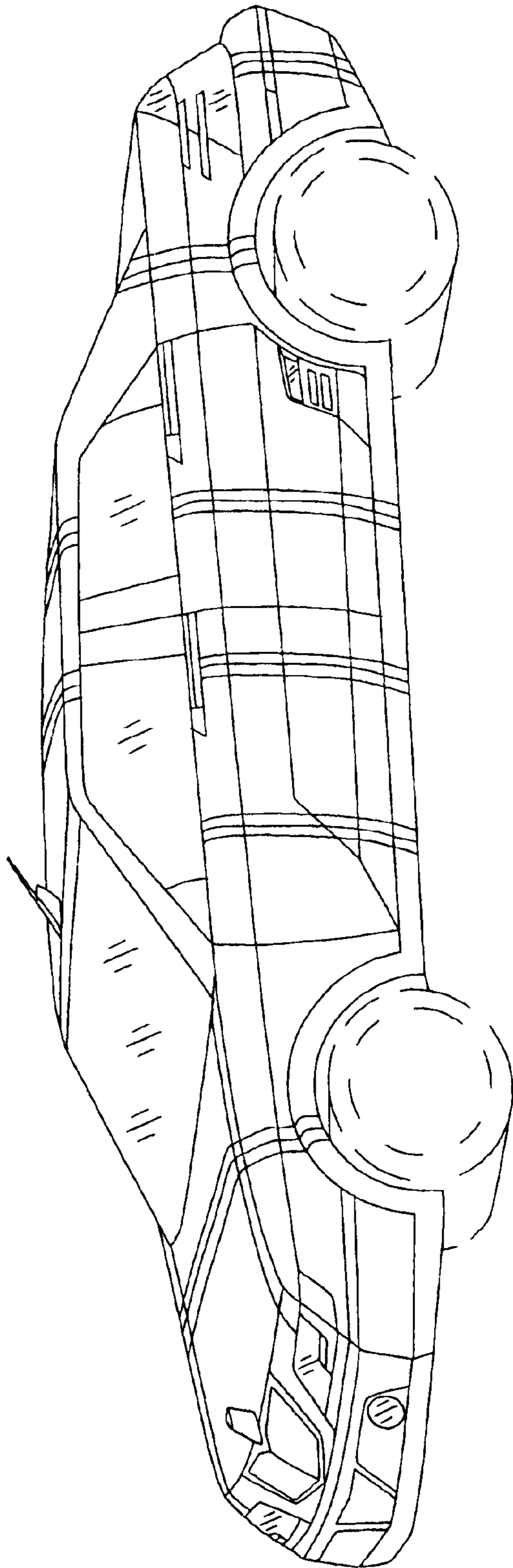


FIG. 1

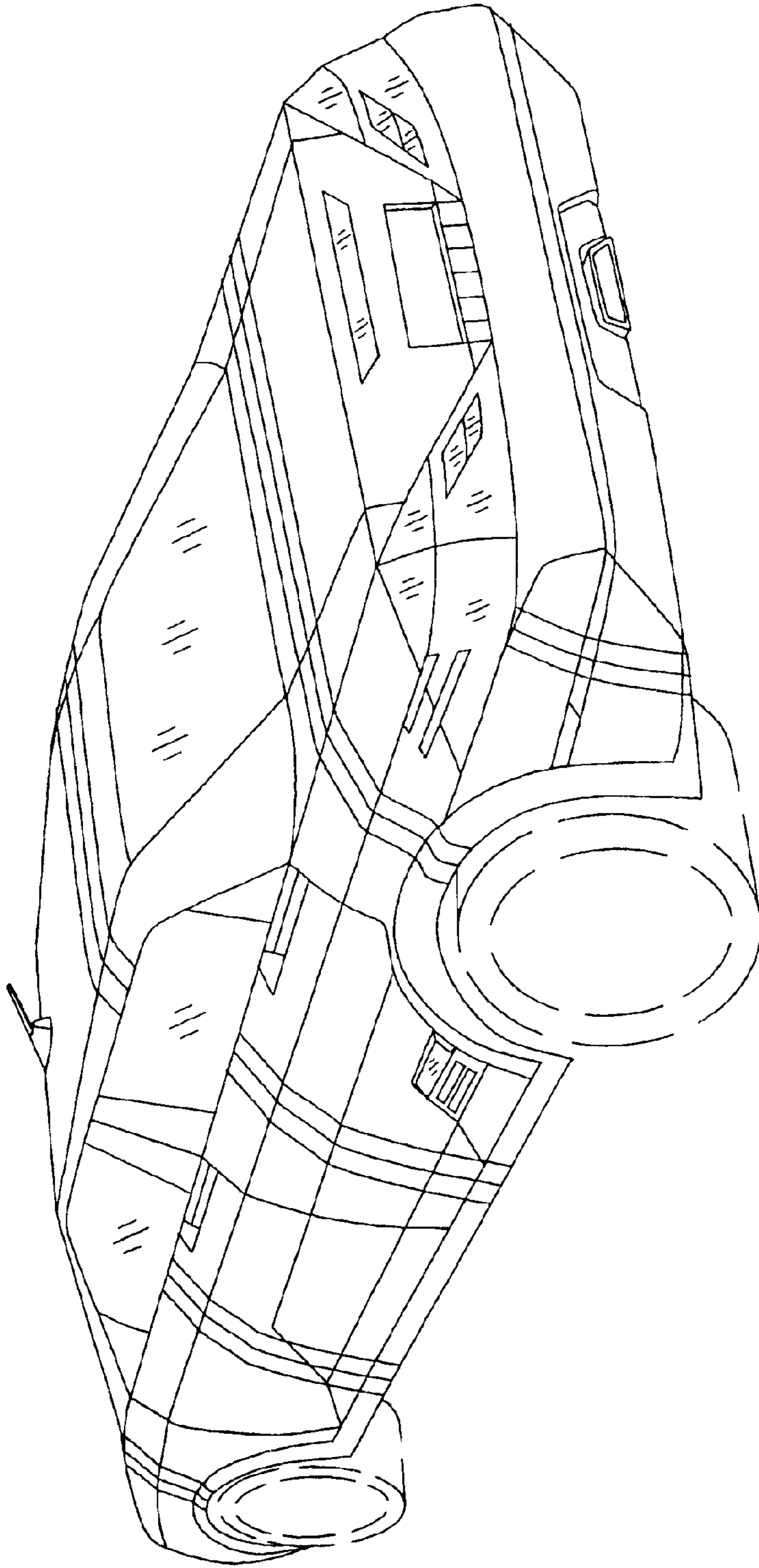


FIG. 2

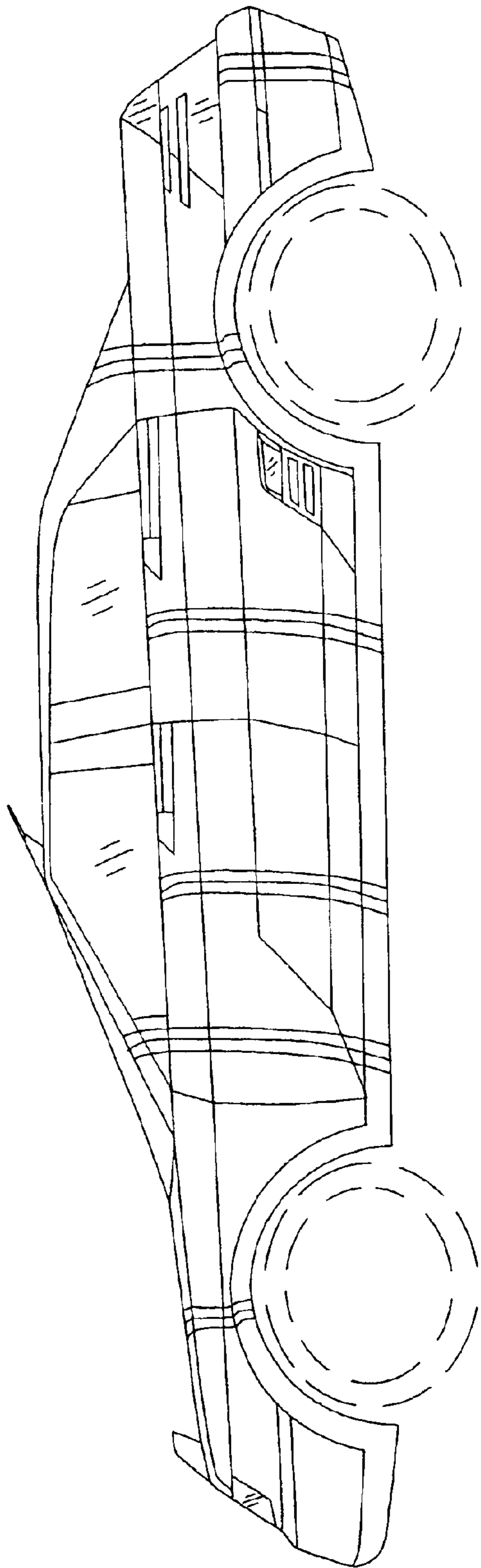


FIG. 3

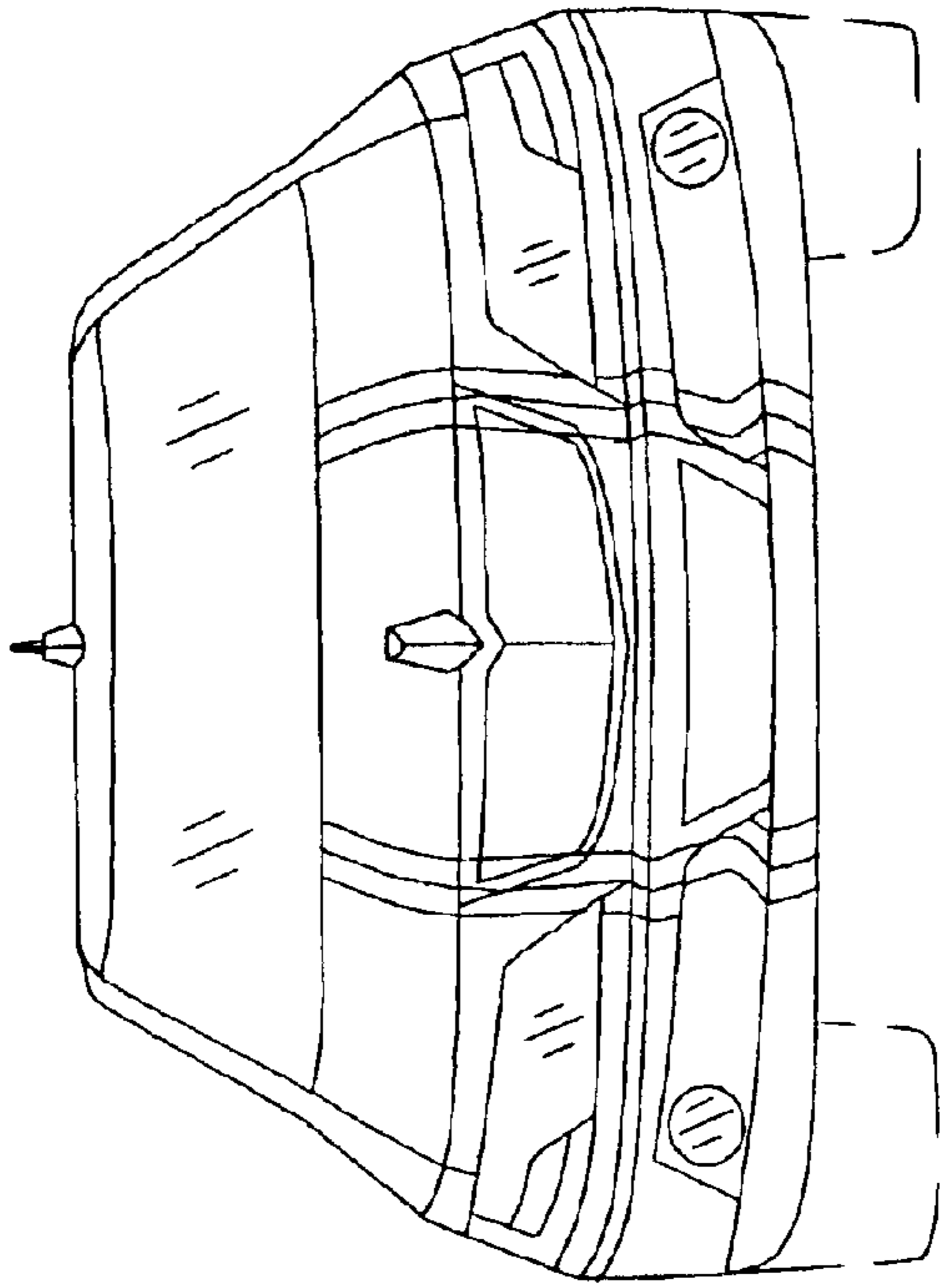


FIG. 5

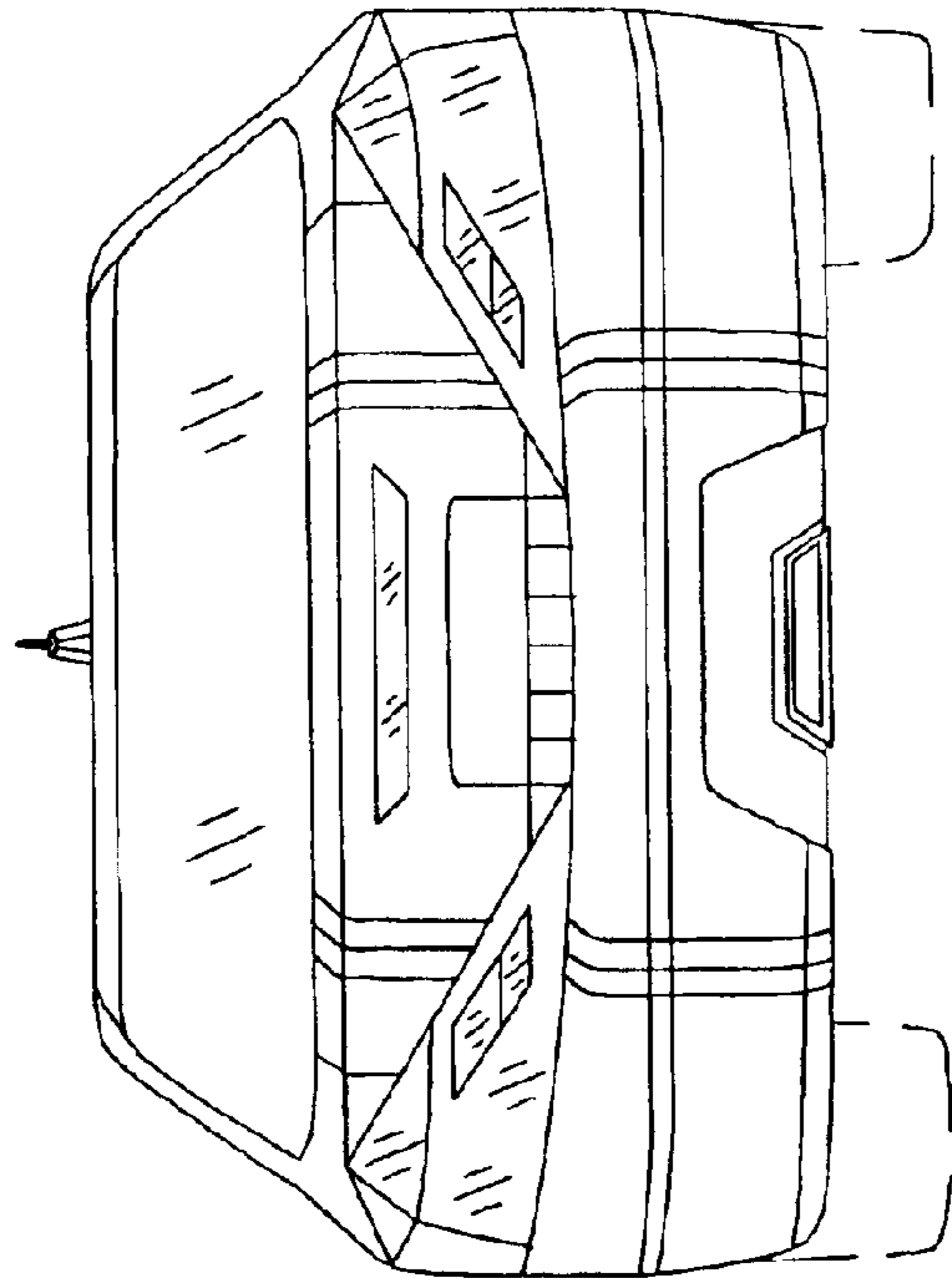


FIG. 4