



US00D491087S

(12) **United States Design Patent**
Kaufman et al.

(10) **Patent No.:** **US D491,087 S**

(45) **Date of Patent:** **** Jun. 8, 2004**

(54) **KEYPAD**

5,674,018 A * 10/1997 Kaufman et al. 400/473
D459,671 S * 7/2002 Kaufman et al. D10/106

(75) Inventors: **Peter Kaufman**, Marquette, MI (US);
Garrett Kaufman, Carpinteria, CA
(US); **John Echols**, Santa Barbara, CA
(US)

* cited by examiner

(73) Assignee: **Essex Electronics, Inc**, Carpinteria, CA
(US)

Primary Examiner—Antoine D. Davis
(74) *Attorney, Agent, or Firm*—John K. McCulloch

(**) Term: **14 Years**

(57) **CLAIM**

The ornamental design for a keypad, shown and described.

(21) Appl. No.: **29/171,923**

DESCRIPTION

(22) Filed: **Dec. 3, 2002**

FIG. 1 is a top plan view of the design;
FIG. 2 is an elevational view of one side thereof;
FIG. 3 is an elevational view of the opposite side thereof;
FIG. 4 is an isometric view from one end thereof; and,
FIG. 5 is an isometric view from the opposite end thereof.
The symbols shown in chain lines in FIG. 1 are for orientation purposes only and form no part of the design.

(51) **LOC (7) Cl.** **10-05**

(52) **U.S. Cl.** **D10/106**

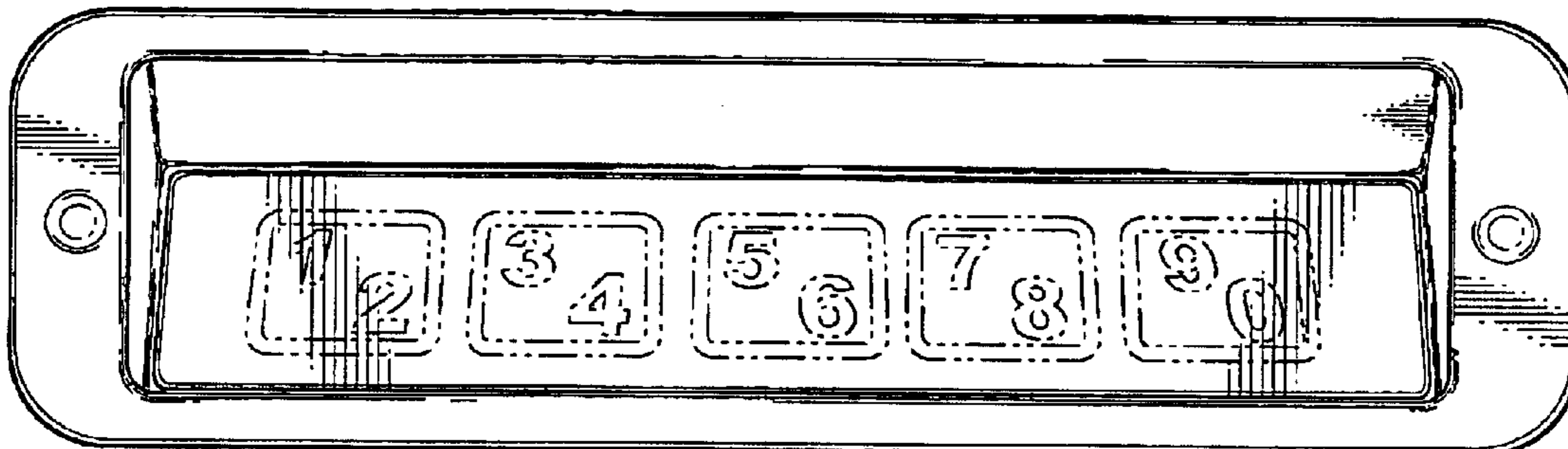
(58) **Field of Search** D10/106, 46; D20/1,
D20/8; D99/43, 28; 400/473, 490; 200/512,
513

(56) **References Cited**

U.S. PATENT DOCUMENTS

D280,505 S * 9/1985 Genaro et al. D14/251

1 Claim, 2 Drawing Sheets



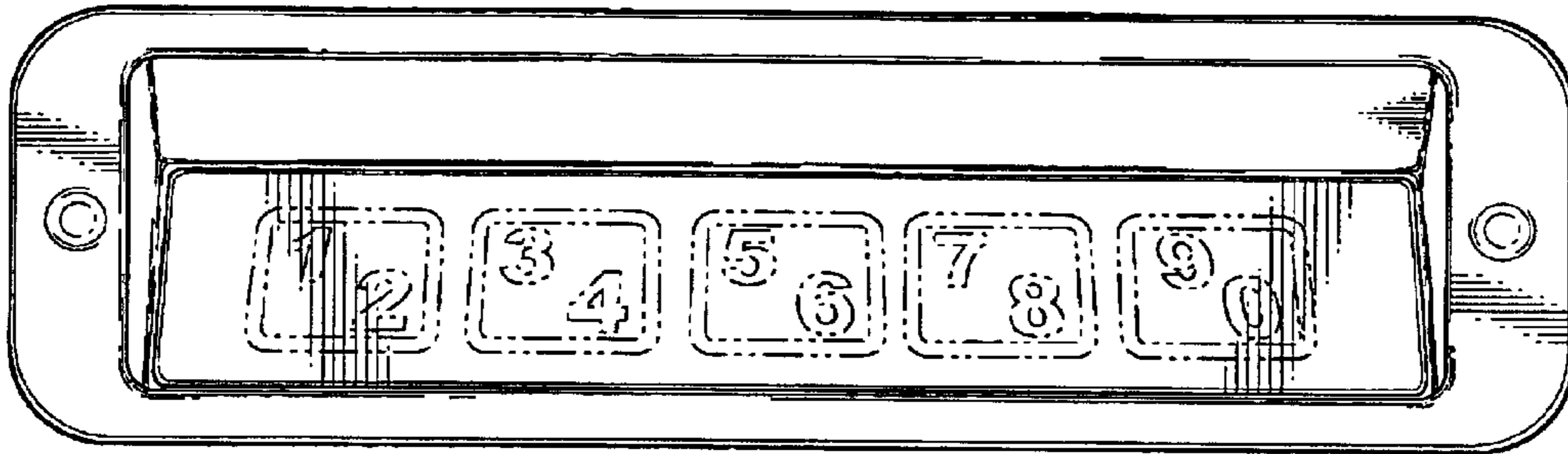


FIG - 1

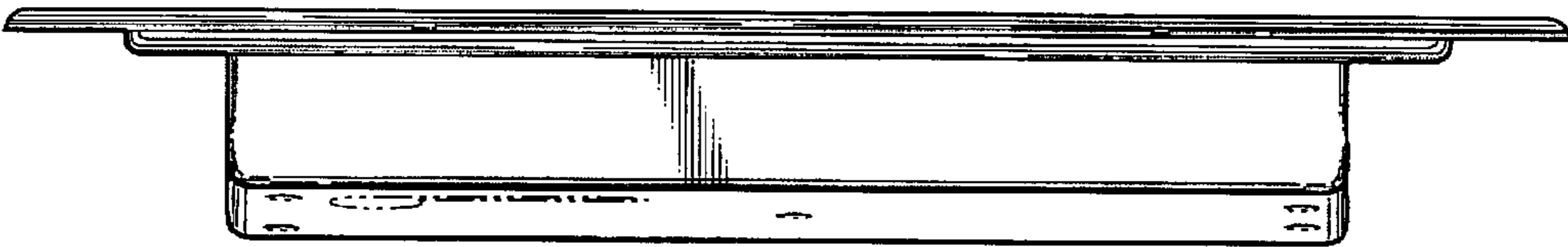


FIG - 2

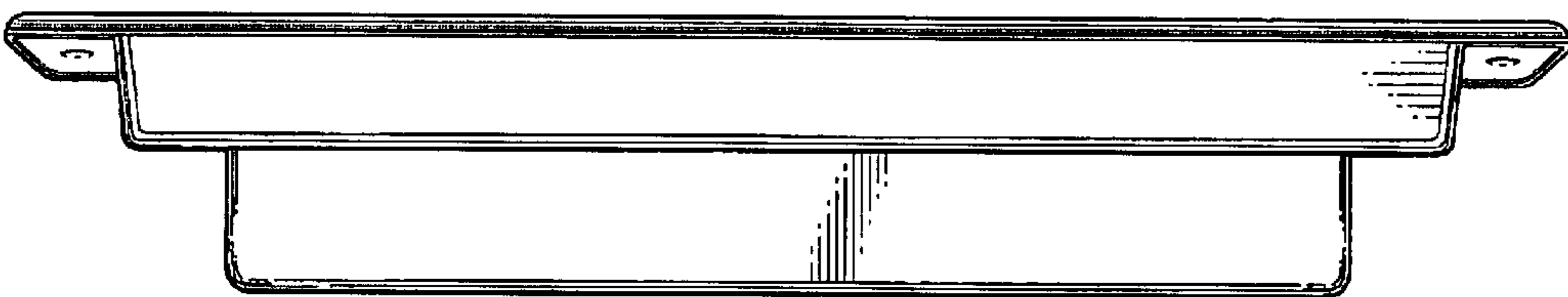


FIG - 3

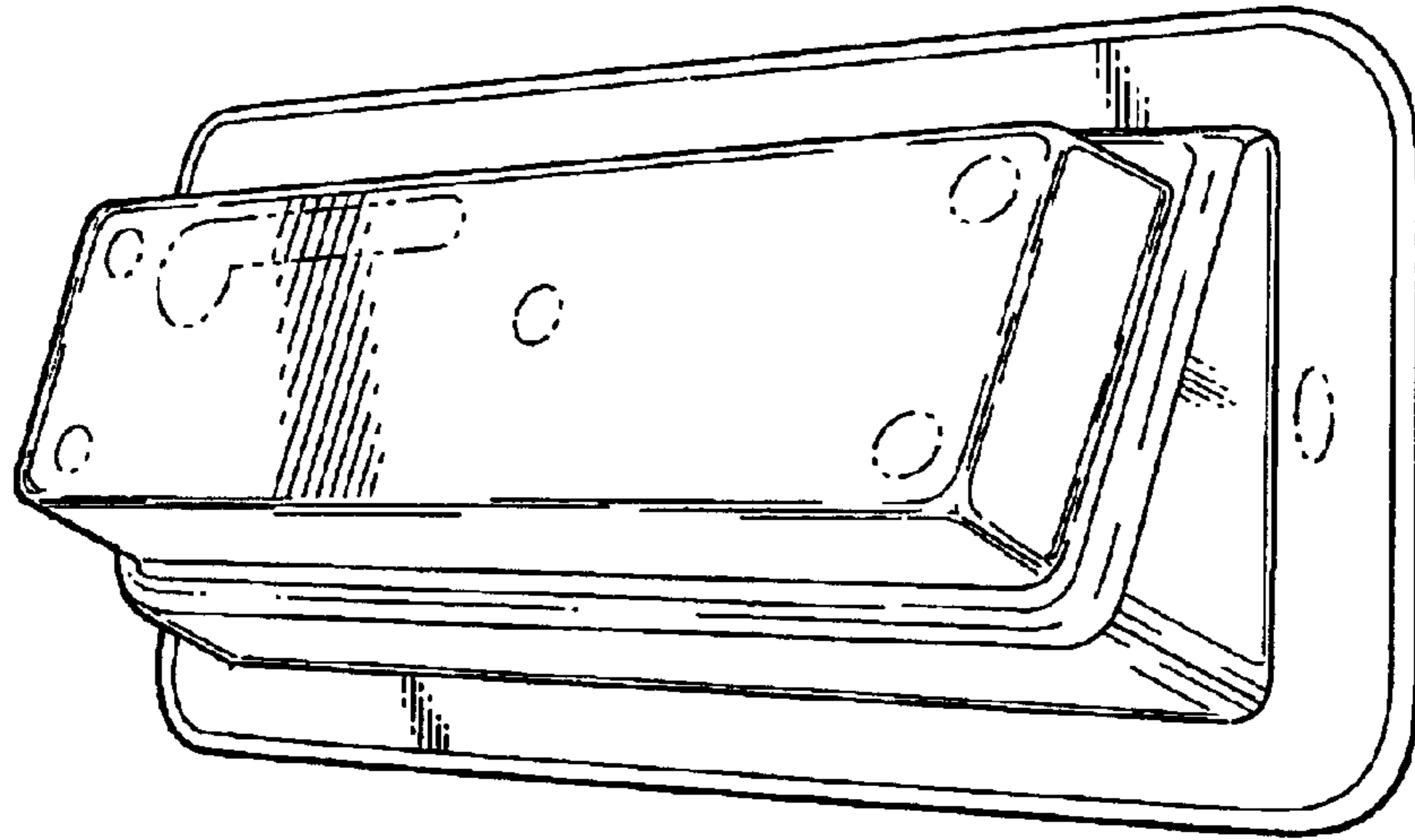


FIG - 4

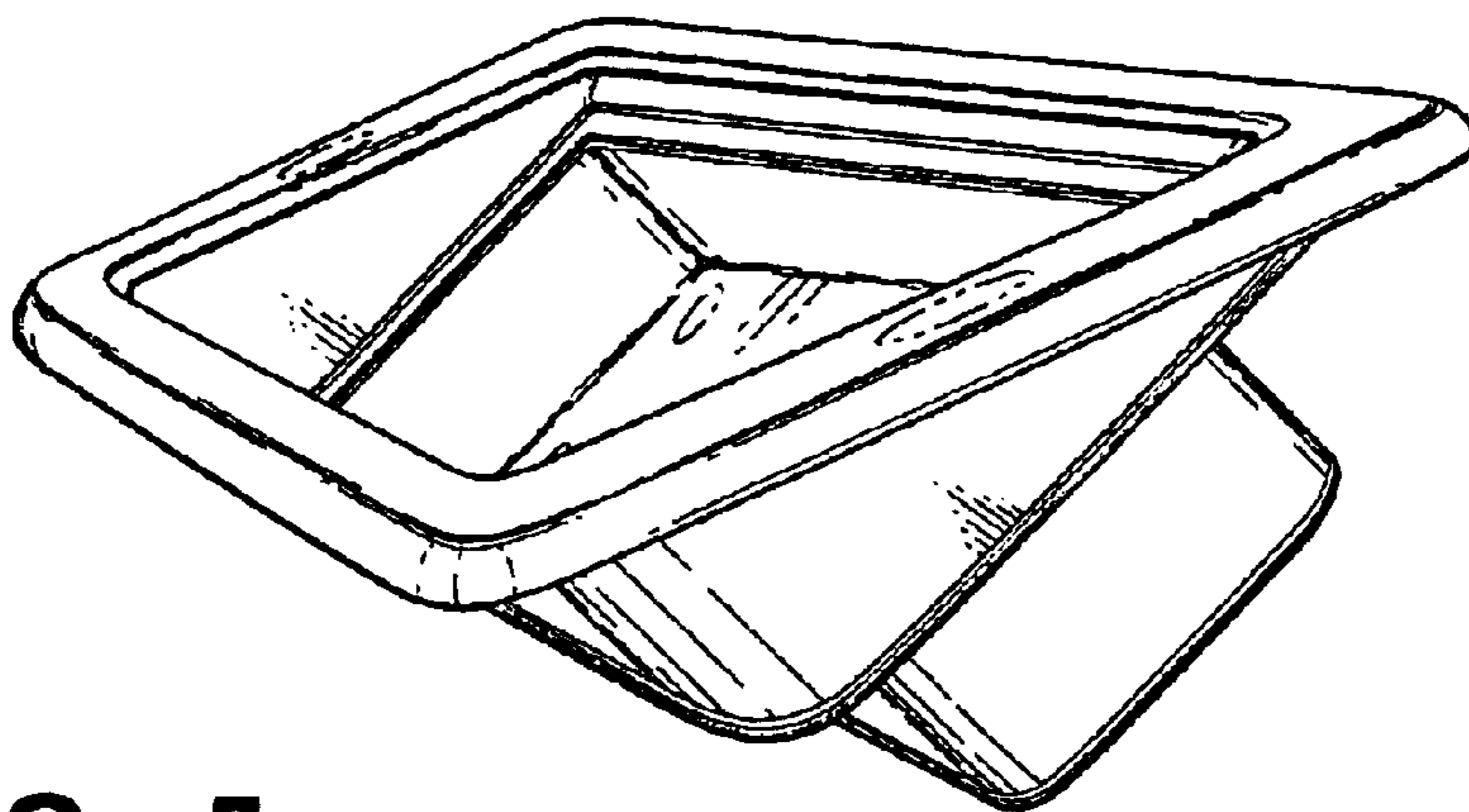


FIG - 5